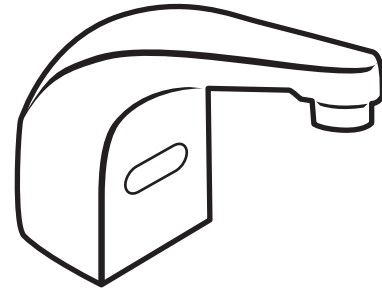


MODEL 8302
Single Deck Mount, Non-mixing,
Battery Powered Electronic Faucet

MODELO 8302
Llave Electrónica De Baterías Sin Mezcladora, Montaje En
Plataforma Sencilla

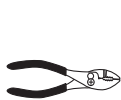
MODÈLE 8302
Robinet Électronique À Pile, Montage Simple Sur Comptoir, Sans Mitigeur



HELPFUL TOOLS

HERRAMIENTAS UTILES

OUTILS UTILES



PLIERS
PINZAS
PINCES



CHANNEL LOCKS
PINZAS DE EXTENSION
PINCES MULTIPRISES



PENETRATING OIL
ACEITE PENETRANTE
HUILE DE DÉGRIPPAGE



SAFETY GLASSES
GAFAS DE SEGURIDAD
LUNETTES DE SÉCURITÉ



FLASHLIGHT
LINTERNA
LAMPE DE POCHE



PIPE WRENCH
LLAVE DE TUBO
CLÉ DE LAVABO



FLATBLADED SCREWDRIVER
DESTORNILLADOR DE PALA
TOURNEVIS À LAME PLATE



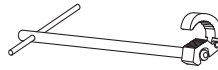
5/8" DEEP WELL SOCKET
LLAVE A COPA DE 5/8"
CLÉ À DOUILLE
PROFONDE DE 5/8 PO



FLEXIBLE SUPPLIES
LINEAS DE ALIMENTACION FLEXIBLES
CONDUITES D'ALIMENTATION SOUPLES



(2)
ADJUSTABLE WRENCH
LLAVE AJUSTABLE
CLÉ ANGLAISE



BASIN WRENCH
LLAVE DE FREGADERO
CLÉ DE LAVABO



7/32" HEX WRENCH
LLAVE HEXAGONAL
CLÉ HEXAGONALE



PHILLIPS SCREWDRIVER
DESTORNILLADOR DE ESTRELLA
TOURNEVIS À POINTE CRUCIFORME

For safety and ease of faucet replacement, Moen recommends the use of these helpful tools.

Para la seguridad y facilidad de repuesto de la mezcladora, Moen recomienda las siguientes herramientas.

Par mesure de sécurité et pour faciliter l'installation, Moen suggère l'utilisation des outils suivants.

ENGLISH

ESPAÑOL

FRANÇAIS

KEEP INSTRUCTIONS FOR FUTURE REFERENCE

Thank you for purchasing a quality MOEN faucet. With simple care and maintenance, it will provide you with many years of reliable performance. Please read all instructions before installation.

Questions During Installation?
1-800-BUY MOEN
(1-800-289-6636)
Toronto 905-829-3400
Rest of Canada 1-800-465-6130

GUARDE ESTAS INSTRUCCIONES PARA REFERENCIA FUTURA

Gracias por haber comprado una mezcladora de alta calidad de MOEN. Con un cuidado y mantenimiento sencillos, le brindará muchos años de servicio fiable. Por favor lea todas las instrucciones antes de instalar.

¿Preguntas durante la instalación?
(84) 88-08-26,
88-08-27,
o 91-800-84-345

CONSERVER CES DIRECTIVES POUR RÉFÉRENCE ULTÉRIEURE

Merci d'avoir acheté un robinet de qualité MOEN. Avec un peu de soin et d'entretien, ce robinet vous donnera plusieurs années de rendement fiable. Lire attentivement toutes les directives avant de débiter l'installation.

Des questions lors de l'installation?
Toronto : (905) 829-3400
Ailleurs au Canada : 1 800 465-6130
Aux É.-U. : 1 800 289-6636

TIPS FOR REMOVAL OF OLD FAUCET:



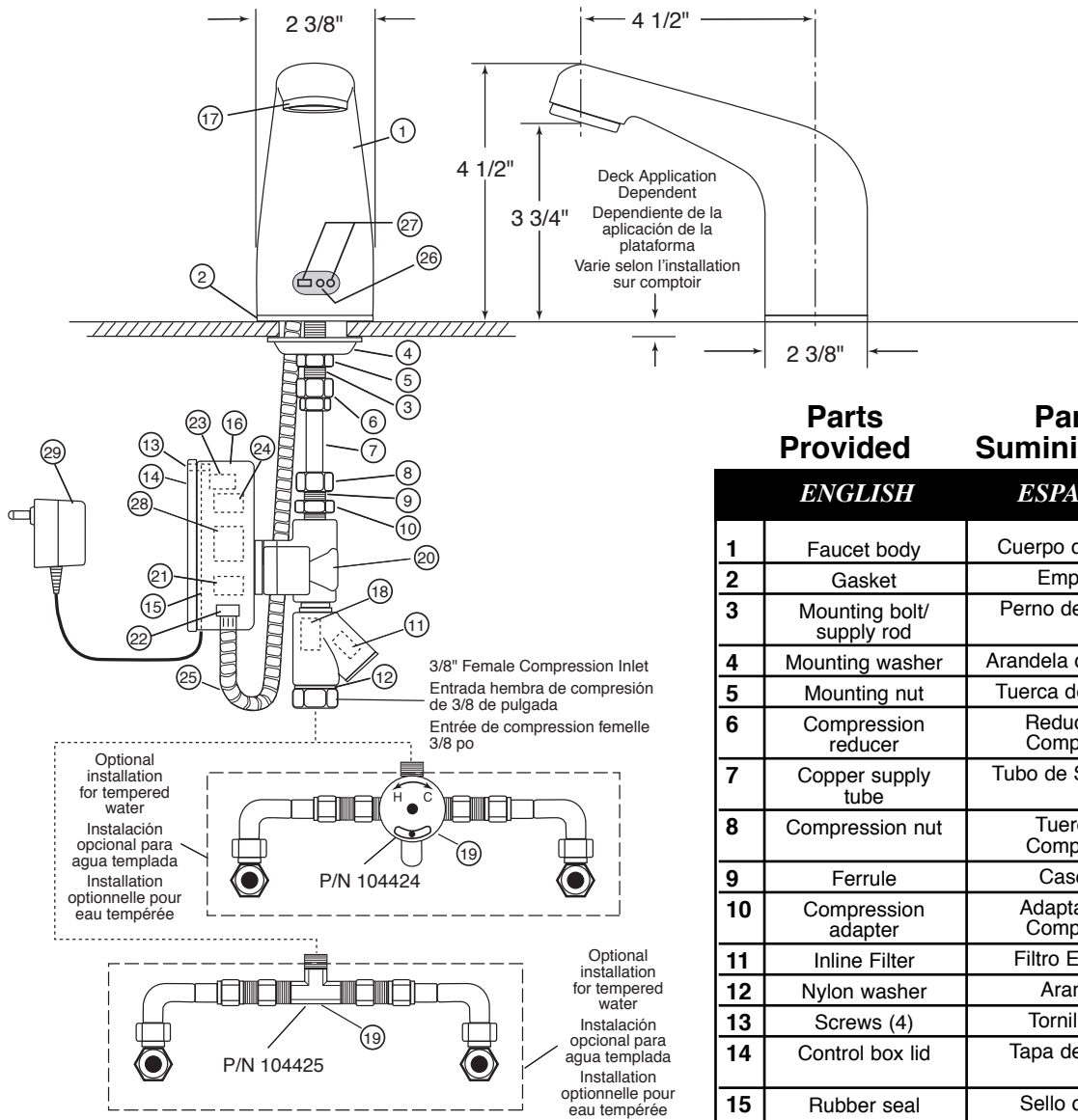
CAUTION: Always turn water OFF before removing existing faucet or disassembling the faucet. Open faucet handles to relieve water pressure and insure that complete water shut-off has been accomplished.



ADVERTENCIA: Siempre CIERRE la toma de agua antes de quitar la llave existente o desmontar la válvula. Abra la llave para liberar la presión, y asegúrese de que esté bien cerrada el agua.



ATTENTION : Toujours COUPER l'alimentation en eau avant d'enlever l'ancien robinet ou de démonter la soupape. Ouvrir la poignée du robinet pour libérer la pression d'eau et pour s'assurer que l'alimentation en eau a bien été coupée.



OPTIONAL
Angle Stop By Others
Supply Lines By Others

OPCIONAL
Tope Angular provisto por otros
Líneas de Suministro provistas por otros

OPTIONNEL
Arrêt angulaire non inclus
Conduites d'alimentation non incluses
(Option de plate-forme)

Parts Provided Partes Suministradas Pièces Fournies

	<i>ENGLISH</i>	<i>ESPAÑOL</i>	<i>FRANÇAIS</i>
1	Faucet body	Cuerpo de la llave	Corps du robinet
2	Gasket	Empaque	Joint d'étanchéité
3	Mounting bolt/ supply rod	Perno de Montaje	Boulon de montage/ tige d'alimentation
4	Mounting washer	Arandela de Montaje	Rondelle de montage
5	Mounting nut	Tuerca de Montaje	Écrou de montage
6	Compression reducer	Reductor de Compresión	Réducteur de compression
7	Copper supply tube	Tubo de Suministro	Tube d'alimentation en cuivre
8	Compression nut	Tuerca de Compresión	Écrou de compression
9	Ferrule	Casquillo	Virole
10	Compression adapter	Adaptador de Compresión	Adaptateur de compression
11	Inline Filter	Filtro En-Línea	Filtre de conduite
12	Nylon washer	Arandela	Rondelle en nylon
13	Screws (4)	Tornillos (4)	Vis (4)
14	Control box lid	Tapa de la Caja	Couvercle du boîtier de commande
15	Rubber seal	Sello de Hule	Dispositif d'étanchéité en caoutchouc
16	Control box	Caja de Control	Boîtier de commande
17	Aerator	Aireador	Aérateur
18	Check valve	Válvula Check	Clapet de non-retour
19	Mixing valve (104424) Mixing Tee (104425) (optional)	Válvula mezcladora (104424) T mezcladora (104425) (opcional)	Robinet mélangeur (104424) «T» mitigeur(104425) (optionnel)
20	Solenoid valve	Válvula Solenoide	Électrovanne
21	Sensor eye pin receptor*	Receptor del Pin	Récepteur de la goupille des yeux du capteur
22	Sensor eye pin connector	Conector del Pin	Raccord de la goupille des yeux du capteur
23	AC receptor*	Receptor AC*	Récepteur C.A.*
24	Batteries* (provided)	Baterías* (suministradas)	Piles* (fournies)
25	Sensor eye cable	Cable del Ojo Sensor	Câble des yeux du capteur
26	LED indicator light	Luz Indicadora LED	Lumière du voyant DEL
27	Sensors	Sensores	Capteurs
28	Circuit board*	Circuito impreso*	Carte à circuit imprimé*
29	AC adapter (optional)	Adaptador de Corriente Alterna (opcional)	Adaptateur C.A.

*: interior to control box
*: interior ha la caja de control
*: intérieur du boîtier de commande

Electronic Faucet Operation and Installation Instructions for Electronic Faucets-Battery-Powered

The battery-powered faucet is designed for ease of installation and provides a reliable, convenient, economical and sanitary system for high-volume users, such as hospitals, transportation terminals, restaurants, schools, sports arenas, office buildings and municipalities. It can be installed by one tradesman without electrical hook-up.

Operation:

1. The faucet operates by emitting a continuous infrared beam from the sensor.
2. As the user enters the beam's effective range, a red light flashes one time to alert the user that the faucet will operate. As long as the user is in the beam's range, the beam is reflected into the receiver circuitry and the system will operate.
3. When the user exits out of range, the sensor sends a signal to the solenoid for closure. The sensor then automatically resets and is ready for the next user.

4. Low battery indicator light comes on when battery is low.

Caution: Avoid installing the faucet where sensor faces a stainless steel wall or other reflective surface within the active range of sensors. Avoid facing another infrared sensor. It may cause faucet to activate unnecessarily.

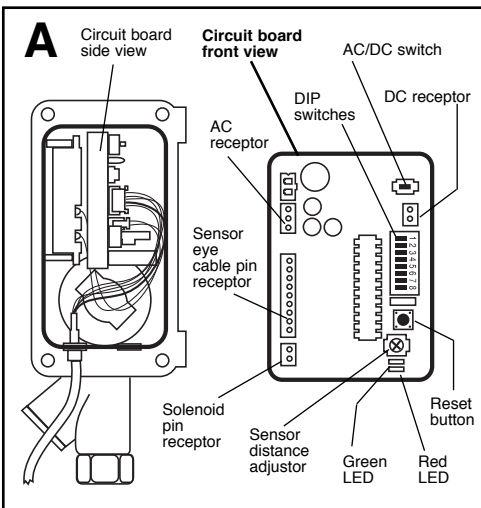
NOTE: The reset button must be pressed after changing the battery in order to ensure the faucet functions properly.

INSTALLATION INSTRUCTIONS

DRY TEST

ATTENTION: To insure proper operation, before installing the faucet, a "DRY TEST" is recommended.

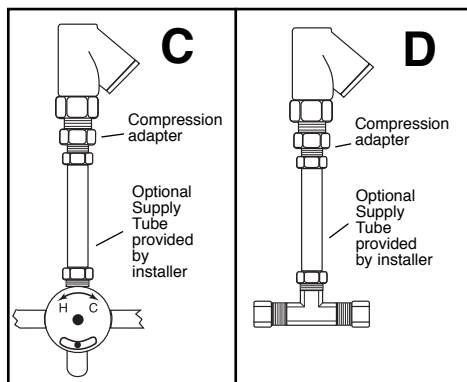
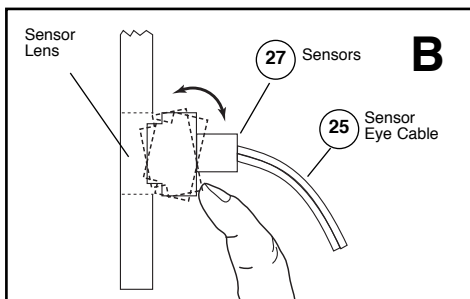
1. Take off the control box lid (14) by removing screws (13) with hex wrench.
2. Connect the sensor eye connector (22) at the end of the sensor eye cable (25) onto the circuit board (28) inside the control box (16) Refer to illustration "A".
3. Slide battery housing out of control box (16) and install batteries (included) and slide battery housing back into control box (16). Insert the battery housing connector onto the circuit board (28). The lights on the circuit board should blink red/green/red.
4. Place your hand in front of the sensor (27) to operate the faucet and listen for a "clicking" sound.



5. Remove your hand and listen for a softer "clicking" sound. The "clicking" sounds indicate that the faucet is working properly. If there is no light or sound, please contact Moen at 1-800-289-6636.
6. The sensors are equipped with angular adjustments. The factory setting is in the center or straight position from the faucet. Adjustment is most easily performed before the faucet is installed. The adjustment is located inside the faucet body (1) behind the LED indicator light (26) Refer to illustration "B".
7. If you are ready to install the faucet, disconnect the sensor eye connector (22) at the end of the sensor eye cable (25) from the circuit board (28).
8. Slide gasket (2) over sensor eye cable and onto faucet.
9. Set faucet on sink and install mounting washer (4) and mounting nut (5). Tighten mounting nut (5) to secure the faucet to the sink.
10. Attach compression reducer (6) to the supply rod (3). Also attach compression adapter (10) to the solenoid valve outlet.
11. Connect the sensor eye connector (22) at the end of the sensor eye cable (25) onto the circuit board (28). Properly seat both the sensor eye cable seal and cable into the control box slot on the left. Reinstall control box lid (14) and tighten screws (13) to insure the control box is water-resistant. **NOTE:** make sure that the rubber seal plug is in installed in the AC adapter control box slot (on the right).
12. Connect 3/8" copper tube (supplied) between

the supply rod (3) and the solenoid valve (20). Tighten compression fittings.

13. Insert white nylon washer (12) into swivel nut on filter body inlet.
14. A) For standard (pre-tempered or cold water) installation, attach water supply to inlet of in-line filter/check valve body.
B) If a tempered water installation is needed, attach mixing/check valve (optional) to the inlet of in-line filter/check valve body. Connect water supply lines to mixing/check valve. Refer to illustration "C". **NOTE: USE THREAD SEAL TAPE FOR ALL THREADED CONNECTIONS.**
C) Refer to Illustration D for the optional mixing tee installation.
15. Turn on water and check for leaks. Place hand in front of sensor to activate water. Remove hands and the water should stop. If not, refer to troubleshooting guide.
16. For timing adjustments, refer to instructions on the inside of the control box lid. Refer to Illustration E.
A) Note: Be sure to depress the re-set button, located on the circuit board, after each adjustment.
B) The factory settings are:
Sensor Distance Adjustment = approximately 3.5 inches from the lens
Time Delay to shut-off after hands are removed = 1 sec seconds
Auto - shutoff = 30 seconds



E CONTROL BOX INSTRUCTIONS

ADJUSTMENTS: (DIP Switches):

1. Shut-off time delay after hands are removed:

Time-Delay	SW1	SW2	SW3
1 Sec	on	on	on
2 Sec	on	on	off
3 Sec	on	off	on
4 Sec	on	off	off
5 Sec	off	on	on
6 Sec	off	on	off
7 Sec	off	off	on
8 Sec	off	off	off
 2. Auto Time-Out Feature:

Time-Out	SW4	SW5
0 Sec	on	on
15 Sec	on	off
30 Sec	off	on
60 Sec	off	off
 3. Sensor Distance:

Distance	SW6
3.5 - 12"	on
10 - 24"	off
 4. Faucet Setting:

Setting	SW7	SW8
Faucet	on	off
- SENSOR DISTANCE ADJUSTMENT (SDA):** Preset at factory. If adjustment is needed; Locate potentiometer with Phillips Head adjuster screw. Turn adjuster screw clockwise to increase SDA, counter clockwise to decrease SDA.

TROUBLESHOOTING

Electronic Faucet-Troubleshooting Guide Battery Powered

Normal operation: When new batteries are inserted, the red indicator light on faucet and the lights on circuit board will blink. When a user's hands are placed under the spout, the red light will flash one time and water starts to flow. Water stops when hands are removed. Red indicator light stays on when battery is low.

NOTE: The reset button must be pressed after changing the battery in order to ensure the faucet functions properly.

Problem	Possible Cause	To Diagnose	Remedy
Faucet will not turn on	Water not on.	Check water supply.	Turn on water supply.
	Power supply failure.	Check wires and connections.	Reconnect battery holder wires.
	Battery is weak.	Red indicator light stays on, no click.	Replace batteries.
	Sensor distance too short into bowl.	Use hand/palm to find focal point.	Adjust sensor distance (see Table E).
	Electronic circuit board is defective.	Change batteries but no light or action.	Replace circuit board.
	Sensor eyes are defective.	Re-inserting battery, red light doesn't blink.	Replace sensor eyes and cable.
	Solenoid valve is clogged.	Solenoid is clicking but no water.	Clean solenoid and water pathway.
	In-line filter is clogged.	Open clean-out filter screen (11) and trap.	Clean the filter.
	Solenoid coil is defective.	No clicking after re-inserting battery.	Replace solenoid coil.
Faucet will not shut off.	Remove battery. If faucet stops running, the problem is electronic (sensor is defective; replace sensor, or, sensor distance adjustment is too long, adjust sensor distance adjustment). If the faucet continues to run, the problem is mechanical. See below for remedy.		
Faucet drips.	Solenoid valve is clogged or sticking.	Open solenoid valve and check for debris.	Clean solenoid valve and water pathway. Replace piston, spring or disc.

For further assistance, call Moen at 1-800-289-6636.

WARRANTY

Moen products have been manufactured under the highest standards of quality and workmanship. Moen warrants to the original consumer purchaser for as long as the original consumer purchaser owns their home (the "Warranty Period" for homeowners), that this faucet will be leak and drip-free during normal use and all parts and finishes of this faucet will be free from defects in material and manufacturing workmanship. All other purchasers (including purchasers for industrial, commercial and business use) are warranted for a period of 1 year from the original date of purchase (the "Warranty Period" for non-homeowners).

If this faucet should ever develop a leak or drip during the Warranty Period, Moen will FREE OF CHARGE provide the parts necessary to put the faucet back in good working condition and will replace FREE OF CHARGE, any part or finish that proves defective in material and manufacturing workmanship, under normal installation, use and service. Replacement parts may be obtained by calling 1-800-289-6636 (Canada 1-800-465-6130), or by writing to the address shown. Proof of purchase (original sales receipt) from the original consumer purchaser must accompany all warranty claims. Defects or damage caused by the use of other than genuine Moen parts are not covered by this warranty. This warranty is applicable only to faucets purchased after December 1995 and shall be effective from the date of purchase as shown on purchaser's receipt.

This warranty is extensive in that it covers replacement of all defective parts and finishes. However, damage due to installation error, product abuse, product misuse, or use of cleaners containing abrasives, alcohol or other organic solvents, whether performed by a contractor, service company, or yourself, are excluded from this warranty. Moen will not be responsible for labor charges and/or damage incurred in installation, repair or replacement, nor for any indirect, incidental or consequential damages, losses, injury or costs of any nature relating to this faucet. Except as provided by law, this warranty is in lieu of and excludes all other warranties, conditions and guarantees, whether expressed or implied, statutory or otherwise, including without restriction those of merchantability or of fitness for use.

Some states, provinces and nations do not allow the exclusion or limitation of incidental or consequential damages, so the above limitations or exclusions may not apply to you. This warranty gives you specific legal rights and you may also have other rights which vary from state to state, province to province, nation to nation. Moen will advise you of the procedure to follow in making warranty claims. Simply write to Moen Incorporated using the address below. Explain the defect and include proof of purchase and your name, address, area code and telephone number.

CONSUMER INFORMATION

Faucets made of leaded brass alloys may contribute small amounts of lead to water that is allowed to stand in contact with the brass. The amount of lead contributed by any faucet is highest when the faucet is new. The following steps may reduce potential exposure to lead from faucets and other parts of the plumbing system:

- Always run the water for a few seconds prior to use for drinking or cooking
- Use only cold water for drinking or cooking
- If you wish to flush the entire plumbing system of water that has been standing in the pipes or other fittings, run the cold water until the temperature of the water drops, indicating water coming from the outside main
- If you are concerned about lead in your water, have your water tested by a certified laboratory in your area



HELPLINE:
1 (800) BUY MOEN
[289-6636]

In the U.S. call our toll free Helpline number, for answers to any product installation, or warranty questions.

In Canada:

Toronto: 905-829-3400;

Rest of Canada: 1-800-465-6130

In Mexico:

(84) 88-08-26, 88-08-27, o 91-800-84-345

Llave Electrónica

Operación e Instalación

Instrucciones para llaves-electrónicas-operadas-por-baterías.

La llave operada por batería esta diseñada para instalarse en forma sencilla, y proporciona un sistema sanitario confiable, conveniente, y económico, para utilizarse en aplicaciones de alta demanda de agua tales como hospitales, estaciones de transporte, restaurantes, escuelas, instalaciones deportivas, oficinas, y edificios municipales. Puede ser instalada por un técnico sin necesidad de hacer una instalación eléctrica.

Operación:

1. La llave funciona emitiendo un haz de luz, del sensor infra-rojo, en forma continua.
2. Cuando el usuario interrumpe el haz de luz, una luz roja se enciende y apaga, para alertar al usuario que la llave va a operar. Mientras el usuario se encuentre interrumpiendo el haz de luz, este haz se refleja hacia el circuito receptor haciendo funcionar la llave.
3. Cuando el usuario deja de interrumpir el haz de luz, el sensor emite una señal hacia la válvula de solenoide haciéndola que cierre. El sensor restablece su operación automáticamente dejando la llave lista para ser usada por el siguiente usuario.

4. La luz indicadora de batería baja se enciende cuando es necesario reemplazar la batería.

Precaución: Evite instalar la llave en una posición en la que el sensor este frente a una pared de acero inoxidable u otra superficie reflectora, dentro del rango de operación del sensor. Evite colocar la llave frente a otro sensor infrarrojo. Esto puede ocasionar un uso innecesario de la llave.

NOTA: El botón de reajuste debe ser presionado después de cambiar la batería para asegurar las funciones del grifo correctamente.

INSTRUCCIONES DE INSTALACION

PRUEBA EN SECO.

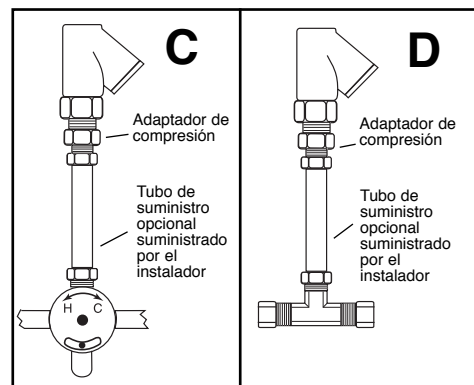
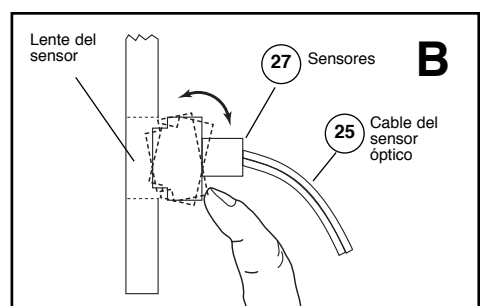
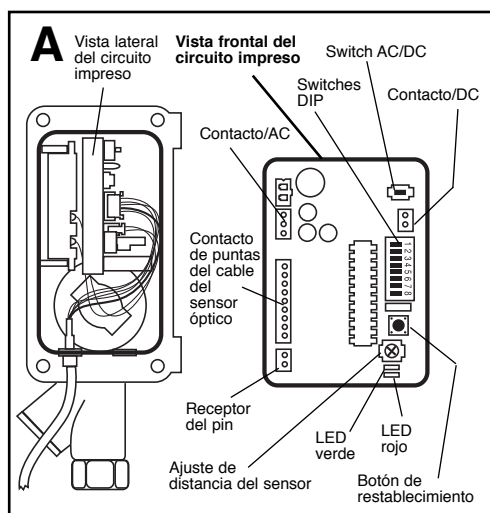
ATENCION: Para asegurarse que que la llave funcione apropiadamente, antes de instalarla, se recomienda efectuar una "PRUEBA EN SECO".

1. Destape la caja de control (14) desenroscando los tornillos (13) con un llave hexagonal.
2. Conecte el conector del sensor óptico (22) al extremo del cable del sensor óptico (25) en el circuito impreso (28) dentro de la caja de control (16). Vea la ilustración "A".
3. Saque la caja de las baterías de la caja de control (16) e instale las baterías (que vienen incluidas) y meta nuevamente la caja de las baterías a la caja de control (16). Inserte el conector de la caja de baterías en el circuito impreso (28). La luz en el circuito impreso deberá parpadear rojo/verde/rojo.
4. Ponga su mano frente al sensor (27) para hacer operar la llave y escuche un sonido de "click".
5. Retire su mano y escuche un sonido de "click" más suave. el sonido de "click" indica que la llave está operando apropiadamente.

Si no hay sonidos o la luz no se enciende, llame a Moen al número 1-800-289-6636.

6. Los sensores están equipados con ajustes angulares. El ajuste de fábrica se hizo en la posición central o directamente enfrente de la llave. Cualquier ajuste puede efectuarse más facilmente antes de colocar la llave. El sistema de ajuste está localizado dentro del cuerpo de la llave (1) detrás del LUZ INDICADORA LED (26). Vea la ilustración "B".
7. Si usted ya está listo para instalar la llave, desconecte el conector del sensor óptico (22), que se encuentra el final del cable del sensor óptico (25), del circuito impreso (28).
8. Deslice el empaque (2) sobre el cable del sensor óptico y en la llave.
9. Ponga la llave en el lavabo e instale la rondana de montaje (4) y la tuerca de montaje (5). Apriete la tuerca de montaje (5) para asegurar la llave al lavabo.
10. Fije el reductor de compresión (6) a la varilla de suministro (3). También fije el adaptador de compresión (10) a la salida de la válvula de solenoide.
11. Enchufe el conector del sensor óptico (22) al final del cable del sensor óptico (25) al circuito impreso (28). Coloque apropiadamente tanto el sello del cable del sensor óptico y el cable en la ranura que se encuentra al lado izquierdo de la caja de control. Reinstale la tapa de la caja (14) y apriete los tornillos (13) para asegurarse que no le entre agua a la caja. **NOTA:** asegúrese de que el tapón del sello de hule esté instalado en la ranura del adaptador de corriente alterna de la caja de control (parte derecha de la caja).
12. Conecte el tubo de cobre de 3/8" (incluido) entre la varilla de suministro (3) y la válvula solenoide (20). Apriete todas las tuercas de presión.

13. Meta la rondana de nylon blanco (12) en la tuerca giratoria en la entrada del cuerpo del filtro.
14. A) Para instalaciones estandard (agua fria o pre-templada), conecte el suministro de agua a la entrada del cuerpo en-línea del filtro/válvula check.
B) Si se requiere hacer instalación para agua templada, conecte la válvula de mezcla/check (opcional) a la entrada del cuerpo en línea del filtro/válvula c h e c k . Conecte las líneas de suministro de agua a la válvula de mezclado/check. Vea la ilustración "C". **NOTA:** USE CINTA DE ROSCAS EN TODAS LAS UNIONES ROSCADAS.
C) Vea la ilustración "D" para la instalación de la mezcladora T opcional.
15. Abra la llave de agua y cheque las fugas. Ponga la mano frente al sensor para activar la llave. Cuando quite la mano el agua deberá dejar de correr. Si no ocurre así, vea la guía de problemas.
16. Para ajustar el tiempo al que abre la llave, vea las instrucciones en la parte de adentro de la tapa de la caja de control. Vea la ilustración "E".
A) **Nota:** Asegúrese de presionar el botón de restablecimiento, localizado en el circuito impreso, después de cualquier ajuste.
B) Los ajustes de fábrica son:
Ajuste de distancia del sensor = aproximadamente 3.5 pulgadas del lente.
Tiempo de cerrado de la llave después de retirar las manos = 1 segundo.
Apagado-automático = 30 segundos.



E Instrucciones de la caja de control

AJUSTES: (DIP Switches):

1. Retraso de apagado después de retirar las manos:	SW1	SW2	SW3
1 Seg	on	on	on
2 Seg	on	on	off
3 Seg	on	off	on
4 Seg	on	off	off
5 Seg	off	on	on
6 Seg	off	on	off
7 Seg	off	off	on
8 Seg	off	off	off

2. Opción de Time-out automático:

Time-Out	SW4	SW5
0 Seg	on	on
15 Seg	on	off
30 Seg	off	on
60 Seg	off	off

3. Distancia del sensor:

Distancia	SW6	SW8
3.5 - 12"	on	on
10 - 24"	off	off

4. Ajuste de la mezcladora:

Ajuste	SW7	SW8
Mezcladora on	on	off

AJUSTE DE DISTANCIA DEL SENSOR (SDA): Preseleccionado en la fábrica. Si se necesita ajustar: Localice el tornillo del potenciómetro y ajústelo con un desarmador Phillips. Gire el tornillo en el sentido de las manecillas del reloj para incrementar SDA, y en el sentido inverso de las manecillas del reloj para disminuir el SDA.

PROBLEMAS Y SOLUCIONES

GUÍA PARA LA SOLUCIÓN DE PROBLEMAS DE LA LLAVE ELECTRONICA DE BATERÍAS

Opción Normal: Cuando se insertan nuevas baterías, la luz roja del indicador de la llave y la luz en el circuito impreso se encienden parpadeando. Cuando las manos del usuario se colocan debajo de la boquilla, la luz roja parpadeará una vez y el agua empezará a fluir. El agua se detiene cuando las manos se quitan de ahí. La luz roja del indicador permanece encendida cuando la batería está baja.

NOTA: El botón de reajuste debe ser presionado después de cambiar la batería para asegurar las funciones del grifo correctamente.

PROBLEMA	CAUSA POSIBLE	PARA DIAGNOSTICAR	REMEDIO
LA LLAVE NO SE ENCIENDE	El agua no está abierta.	Revise el suministro de agua.	Abra el suministro de agua.
	Falla en el suministro de energía.	Revise los alambres y conexiones.	Conecte nuevamente los cables del compartimento de las baterías.
	La batería está débil.	La luz roja del indicador se queda prendida, no hace "click".	Reemplace las baterías.
	La distancia del sensor es demasiado corta dentro del lavabo.	Use la mano/palma para encontrar el punto focal.	Ajuste la distancia del sensor. (Vea la ilustración E)
	El circuito impreso electrónico está defectuoso.	Reemplace las baterías pero no hay luz ni acción.	Reemplace el circuito impreso.
	Los ojos del sensor están defectuosos.	Re-inserte las baterías, la luz roja no parpadéa.	Reemplace los ojos del sensor y los cables.
	La válvula Solenoide está obstruida.	La válvula Solenoide hace "click" pero no sale el agua.	Limpie la válvula Solenoide y el drenaje.
	El filtro en-línea está obstruido.	Abra y limpie la malla del filtro (11) y el sifón.	Limpie el filtro.
	La espiral de la válvula Solenoide está defectuosa.	No hay ningún "click" después de re-insertar las baterías.	Reemplace la espiral Solenoide.
LA LLAVE NO SE CIERRA	Quite la batería. Si la llave deja de gotear, el problema es electrónico (el sensor está defectuoso; reemplace el sensor, o, la distancia del sensor puede ser demasiado grande, ajuste la distancia del sensor). Si la llave continúa goteando, el problema es mecánico. Véa abajo para varios remedios.		
LA LLAVE GOTEA	La válvula Solenoide está obstruida o se está atascando.	Abra la válvula Solenoide y revise a ver si está sucia.	Limpie la válvula Solenoide y el drenaje. Reemplace el pistón, el resorte o el disco.

Para mayor asistencia, llame a MOEN al (84) 88-08-26, 88-08-27, o 91-800-84-345. FAX (84) 88-08-04.

GARANTIA LIMITADA DE VIDA

Los productos Moen han sido elaborados bajo los más estrictos estándares de calidad y mano de obra. Moen garantiza al consumidor - comprador original por todo el tiempo que el consumidor - comprador original esté en posesión de su casa (el "Período de Garantía" del propietario de casa), que esta mezcladora será libre de infiltraciones y goteo durante su uso normal y que todas las piezas y el acabado de esta mezcladora serán libres de defectos de material y mano de obra de fabricación. Todos los otros compradores (incluyendo compras para uso industrial comercial y profesional) se garantizan por un período de 1 año desde la fecha original de compra (el "Período de Garantía" para los que no son propietarios de casa).

En caso que esta mezcladora empiece en algún momento a gotear o infiltrarse durante el Período de Garantía, Moen suministrará LIBRE DE CARGO las piezas que se necesiten para reponer la mezcladora en buena condición de funcionamiento y reemplazará LIBRE DE CARGO, cualquier pieza o acabado que resulte ser defectuoso en cuanto a material y elaboración, bajo instalación, uso y servicio normal. Las piezas de repuesto se pueden obtener llamando al 1-800-289-6636 (Canadá 1-800-465-6130), o escribiendo a la dirección indicada. El comprobante de compra (recibo original de la venta) del consumidor - comprador de origen debe acompañar todas las reclamaciones de garantía. Esta garantía no ampara los defectos o daños ocasionados por un uso otro que de piezas genuinas Moen. Esta garantía se extiende solamente a mezcladoras compradas después de Diciembre 1995 y será en efectividad desde la fecha de la compra como indique el recibo del comprador.

Esta garantía es amplia puesto que cubre el repuesto de todas las piezas y acabados defectuosos. Sin embargo, los daños causados por un error de instalación, abuso del producto, mal uso del producto o el uso de limpiadores que contengan abrasivos, alcohol u otros solventes orgánicos, ya sean ejecutados por un contratista, Cia. de servicio o Ud. mismo se excluyen de esta garantía. Moen no será responsable de costos laborales y/o daños producidos durante la instalación, reparación o cualquier daño incidental o consiguiente, pérdidas, heridas u costos de cualquier naturaleza relacionados con esta mezcladora. Salvo como previsto por la ley, esta garantía reemplaza y excluye todas las otras garantías, condiciones y afirmaciones, ya sea expresadas o implícitas, legales u otras, incluyendo sin restricción alguna aquellas de comercialización o aptitud para el uso.

Algunos estados, provincias y naciones no permiten la exclusión o limitación de daños incidentales o consiguientes, y por este motivo las sobrecitas limitaciones posiblemente no le afectan. Esta garantía le otorga derechos legales específicos y Ud. posiblemente también tiene otros derechos que cambian de un estado a otro, de una provincia a otra, de una nación a otra. Moen le avisará cual procedimiento debe seguir en cuanto haga una reclamación bajo garantía. Escriba nada más a Moen Incorporated a la dirección indicada a continuación. Explique el defecto e incluya la prueba de compra así como su nombre, dirección, código y número de teléfono.

INFORMACION AL CONSUMIDOR

Mezcladoras fabricadas con aleaciones de latón de plomo podrían contribuir pequeñas cantidades de plomo al agua que está en contacto con el latón. La cantidad de plomo contribuida en cualquier mezcladora es mayor cuando esta mezcladora es nueva. Los siguientes pasos podrían reducir la exposición potencial al plomo de las mezcladoras y otras piezas del sistema de plomería:

- Siempre deje correr el agua por unos segundos antes de usarla para tomar o cocinar
- Solamente use agua fría para tomar o cocinar
- Si usted desea limpiar el sistema completo de plomería de agua estancada en las tuberías y otros accesorios, deje correr el agua hasta que la temperatura de ésta baje, indicando de que esta agua viene del suministro de afuera.
- Si usted tiene interés sobre el plomo en su agua, haga examinar su agua por un laboratorio certificado en su área



LINEAS TELEFONICAS DE SERVICIO:

Para Aclarar sus dudas relacionadas con la instalación, refacciones, partes y/o garantía de nuestras llaves, llámenos por cobrar a los siguientes teléfonos: (84) 88-08-26, 88-08-27, o 91-800-84-345. FAX (84) 88-08-04.

En los Estados Unidos: 1-800-289-6636

Moen Incorporated • 25300 Al Moen Drive • North Olmsted, OH 44070-8022 U.S.A.
In Canada Moen Inc. • 2816 Bristol Circle • Oakville, Ontario L6H5S7

INS236

Robinet électronique

Directives pour le fonctionnement d'un robinet électronique à pile

Le robinet à pile est conçu pour être facile à installer et il fournit un système fiable, pratique et économique pour les endroits très achalandés comme les hôpitaux, les gares terminales, les restaurants, les écoles, les arènes, les tours à bureaux et les bureaux municipaux. Il peut être installé par une personne de métier sans besoin de raccordement électrique.

Fonctionnement

1. Le robinet fonctionne en émettant un faisceau continu provenant du capteur.
2. Lorsque l'utilisateur entre dans la portée active du faisceau, une lumière rouge clignote une fois pour l'avertir que le robinet va se mettre en marche. Aussi longtemps que l'utilisateur reste dans la portée active du capteur, le faisceau se réfléchit dans la circuiterie du récepteur et le système fonctionne.
3. Lorsque l'utilisateur s'éloigne de la portée du capteur, celui-ci envoie un signal de fermeture au solénoïde. Le capteur se met à zéro automatiquement et est prêt pour la

personne suivante.

4. La lumière du voyant pour la pile s'allume lorsque la pile est faible.

AVERTISSEMENT : Éviter d'installer le robinet dans les endroits où le capteur fait face à un mur en acier inoxydable ou à toute autre surface réfléchissante se trouvant dans la portée active du capteur. Cela peut causer le mauvais fonctionnement du robinet.

NOTE : Le bouton de remise doit être appuyé sur après changement de la batterie afin d'assurer les fonctions de robinet correctement.

DIRECTIVES D'INSTALLATION

ESSAI À SEC

ATTENTION : Pour assurer le bon fonctionnement du robinet, il est recommandé d'effectuer un ESSAI À SEC avant l'installation.

1. Retirer le couvercle du boîtier de commande (14) en enlevant les vis (13) à l'aide d'un clé hexagonale.
2. Raccorder le raccord des yeux du capteur (22) à l'extrémité du câble des yeux du capteur (25) sur la carte à circuit imprimé (28) à l'intérieur du boîtier de commande (16). Voir l'illustration A.
3. Faire glisser le compartiment à piles pour l'enlever du boîtier de commande (16) et installer les piles (incluses). Pour le remettre en place, le faire glisser dans le boîtier de commande (16). Insérer le raccord du compartiment à piles dans la carte à circuit imprimé (28). La lumière de la carte à circuit imprimé devrait clignoter rouge/verte/rouge.
4. Placer votre main devant le capteur (27) pour faire fonctionner le robinet. Vous devriez entendre un « clic ».
5. Retirer votre main de devant le capteur et écouter s'il y a un autre « clic » mais plus

doux cette fois. Ce son indique que le robinet fonctionne correctement. S'il n'y a pas de clic et pas de voyant, contacter Moen au Aux É.-U. : 1 800 289-6636

6. Les capteurs sont munis d'ajustements angulaires. Les paramètres établis en usine correspondent à une position centrale ou directe du robinet. Il est plus facile d'ajuster le capteur avant que le robinet ne soit installé. Le dispositif d'ajustement est situé dans le corps du robinet (1) derrière la lumière du voyant DEL (26). Voir l'illustration B.
7. Pour installer le robinet, déconnecter d'abord le raccord des yeux du capteur (22) situé à l'extrémité du câble des yeux capteur (25) de la carte à circuit imprimé (28).
8. Faire glisser le joint d'étanchéité (2) sur le câble des yeux du capteur et sur le robinet.
9. Placer le robinet sur l'évier et installer la rondelle de montage (4) et l'écrou de montage (5). Serrer l'écrou de montage pour bien fixer le robinet à l'évier.
10. Fixer le réducteur de compression (6) à la tige d'alimentation (3). Fixer aussi l'adaptateur de compression (10) à la sortie de l'électrovanne.
11. Raccorder le raccord des yeux du capteur (22) situé à l'extrémité du câble des yeux du capteur (25) sur la carte à circuit imprimé (28). Bien placer le joint d'étanchéité du câble des yeux du capteur et le câble dans le boîtier de commande à gauche. Réinstaller le couvercle du boîtier de commande (14) et visser les vis (13) pour s'assurer que le boîtier de commande est imperméable. **NOTE :** s'assurer que le bouchon d'étanchéité en caoutchouc est installé dans la fente du boîtier de commande de l'adaptateur C.A. (à droite).
12. Raccorder le tube en cuivre de 3/8 po (fourni) entre la tige d'alimentation (3) et l'électrovanne (20). Serrer les raccords de compression.

13. Insérer une rondelle en nylon blanc (12) dans l'écrou pivotant sur l'entrée du corps du filtre de conduite.

14. A) Pour une installation standard (eau prétempérée ou froide), fixer la conduite d'alimentation sur l'entrée du filtre de conduite/du corps du clapet de non-retour.

- B) Pour une installation d'eau tempérée, fixer le clapet mitigeur/de non-retour (optionnel) à l'entrée du filtre de conduite/corps du clapet de non-retour. Raccorder les conduites d'alimentation de l'eau au clapet mitigeur/de non-retour. Voir l'illustration C. **NOTE :** UTILISER UN RUBAN POUR JOINTS FILETÉS.

- C) Voir l'illustration D pour une installation optionnelle « T » avec mitigeur.

15. Ouvrir l'eau et vérifier s'il y a des fuites. Placer les mains devant l'œil du capteur du robinet pour faire couler l'eau. Retirer les mains pour que l'eau s'arrête de couler. Sinon, consulter le guide de résolution de problèmes.

16. Pour régler la durée, consulter les directives à l'intérieur du couvercle du boîtier de commande. Voir l'illustration E.

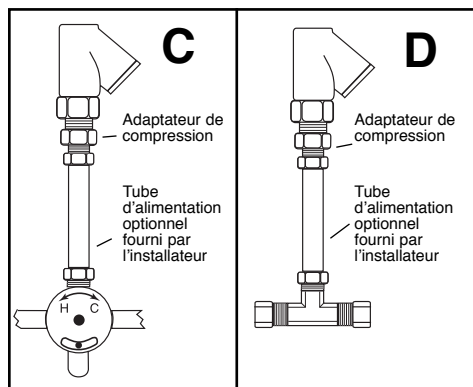
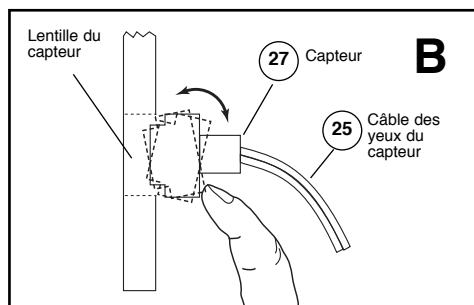
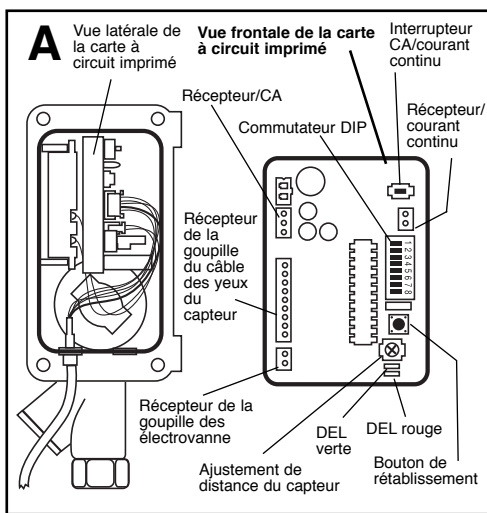
- A) Note : Après chaque réglage, s'assurer d'appuyer sur le bouton de rétablissement (re-set) situé sur la carte à circuit imprimé.

- B) Les paramètres définis en usine sont les suivants :

Ajustement de la distance du capteur : environ 3,5 pouces de la lentille.

Temporisation pour la fermeture après avoir ôté les mains : 1 seconde

Autofermeture : 30 secondes



E Directives du boîtier de commande

AJUSTEMENTS : (Commutateurs DIP) :

1. Temporisation de fermeture après avoir ôté les mains :

Temporisation	Com1	Com2	Com3
1 Sec	on	on	on
2 Sec	on	on	off
3 Sec	on	off	on
4 Sec	on	off	off
5 Sec	off	on	on
6 Sec	off	on	off
7 Sec	off	off	on
8 Sec	off	off	off

2. Caractéristique d'autofermeture :

Fermeture	Com4	Com5
0 Sec	on	on
15 Sec	on	off
30 Sec	off	on
60 Sec	off	off

3. Distance du capteur :

Distance	SW6
3.5 - 12 po	on
10 - 24 po	off

4. Réglage du robinet :

Réglage	SW7	SW8
Robinet	on	off

AJUSTEMENT DE DISTANCE DU CAPTEUR : Prédéfini en usine. Si un ajustement est requis, trouver le potentiomètre avec la vis d'ajustement à pointe cruciforme et tourner la vis d'ajustement dans le sens des aiguilles d'une montre pour augmenter la distance ou dans le sens contraire des aiguilles d'une montre pour la diminuer.

RESOLUTION DE PROBLEMS

GUIDE DE RÉOLUTION DE PROBLÈMES POUR LES ROBINETS ÉLECTRONIQUE À PILE

Fonctionnement normal : après avoir inséré une nouvelle pile, le voyant rouge clignote rapidement et la lumière de la carte à circuit imprimé clignote. Si on place les mains sous le robinet, le voyant rouge clignote une fois et l'eau commence à couler. Si on retire les mains, l'eau s'arrête de couler. Le voyant rouge reste allumé lorsque la pile est presque épuisée.

NOTE : Le bouton de remise doit être appuyé sur après changement de la batterie afin d'assurer les fonctions de robinet correctement.

Problème	Cause Possible	Diagnostic	Solution
LE ROBINET NE FONCTIONNE PAS	L'alimentation en eau n'est pas ouverte	Vérifier l'alimentation en eau	Ouvrir l'alimentation en eau
	Panne d'électricité	Vérifier les fils et les connexions	Reconnecter les fils du boîtier des piles
	La pile est faible	La lumière rouge du voyant reste allumée, aucun clic	Remplacer les piles
	La distance du capteur est trop courte	Utiliser la main/paume pour trouver le point de focalisation	Régler la distance du capteur (voir l'illustration E)
	La carte électronique est défectueuse	Remplacer la pile mais aucune lumière ni action	Remplacer la carte à circuit imprimé
	Les yeux du capteur sont défectueux	Réinsérer la pile, la lumière rouge ne clignote pas	Remplacer les yeux du capteur et le câble
	L'électrovanne est bloquée	L'électrovanne clique mais il n'y a pas d'eau	Nettoyer l'électrovanne et la conduite d'eau
	Le filtre de conduite est bloqué	Ouvrir et nettoyer le filtre de conduite (11) et le couvercle	Nettoyer le filtre
	La bobine de solénoïde est défectueuse	Aucun clic après avoir réinséré la pile Ouvrir l'alimentation en eau	Remplacer la bobine de solénoïde
LE ROBINET NE SE FERME PAS	Enlever la pile. Si le robinet continue à couler, il est possible qu'il s'agisse d'un problème électronique (le capteur est défectueux; le remplacer; ou la distance du capteur est trop longue, ajuster la distance). Si le robinet coule toujours, le problème est d'ordre mécanique. Voir ci-dessous pour une solution.		
LE ROBINET FUIT	L'électrovanne est bouchée ou elle colle	Ouvrir l'électrovanne et vérifier s'il y a des débris.	Nettoyer l'électrovanne ou la conduite d'eau. Remplacer le piston, le ressort ou le disque.

Pour obtenir de plus amples renseignements, appeler Moen au Aux É.-U. : 1 800 289-6636

GARANTIE À VIE LIMITÉE DE MOEN

INFORMATION POUR LE CONSOMMATEUR

Les produits Moen ont été fabriqués selon les normes de qualité et de main-d'œuvre les plus élevées. Moen garantit à la personne ayant acheté le robinet originalement, aussi longtemps qu'elle reste propriétaire de la maison, (période de garantie pour propriétaires), que ce robinet sera libre de toute fuite ou dégouttement pendant son usage normal et que toutes les pièces et tous les finis de ce robinet ne présenteront aucun défaut de matériel et de main-d'œuvre en usine. L'achat par tout autre consommateur (acheteur à des fins industriels, commerciales et d'affaires) sera garanti pendant 1 ans à compter de la date d'achat originale (période de garantie pour non-propriétaires).

Si ce robinet fuit ou dégoutte durant la période de garantie, Moen remplacera GRATUITEMENT les pièces de remplacement requises pour remettre le robinet en parfait état et remplacera GRATUITEMENT toute pièce ou tout fini dont le matériel, la fabrication ou la main-d'œuvre, lors d'une installation, d'un usage et d'un service normaux, s'avère défectueux. On peut obtenir les pièces de remplacement en composant le 1 800 465-6130, ou en écrivant à l'adresse indiquée sous la preuve d'achat. Le reçu de vente original du consommateur ayant acheté le robinet initialement, doit accompagner toute réclamation. Les défauts ou les dommages causés par l'utilisation de pièces non fournies par Moen ne sont pas couvertes par cette garantie. Cette garantie s'applique uniquement aux robinets achetés après décembre 1995 et entre en vigueur à compter de la date d'achat indiquée sur le reçu de caisse du consommateur.

Cette garantie est vaste car elle couvre le remplacement de toute pièce ou de tout fini défectueux. Cependant, les dommages causés par une erreur l'installation, un abus du produit, une mauvaise utilisation du produit ou l'utilisation de nettoyeurs contenant des agents abrasifs, de l'alcool ou des solvants organiques, qu'ils soient utilisés par un entrepreneur, une entreprise de service ou le consommateur, sont exclus de cette garantie. Moen n'est pas responsable des frais de main-d'œuvre ni de tous dommages survenus durant l'installation, la réparation ou le remplacement, ni des dommages indirects ou consécutifs, des pertes, des blessures ou des coûts connexes à ce robinet. Sauf lorsque prévu par la loi, cette garantie remplace et exclut toute autre garantie et condition, qu'elles soient exprimées ou sous-entendues, obligatoires ou autres, y compris sans restriction, celle de commercialisation ou d'aptitude d'utilisation.

Certains pays, certains États et certaines provinces, ne permettent aucune exclusion, ni limitation suite aux dommages indirects ou consécutifs. Les limitations ou les exclusions ne s'appliquent donc pas dans ces cas. Cette garantie accorde des droits juridiques et il est possible que d'autres droits soient applicables selon l'état, la province ou le pays précis. Moen avisera le consommateur de la procédure à suivre pour soumettre une réclamation. Il suffit d'écrire à Moen incorporée, d'expliquer le défaut et d'inclure une preuve d'achat, d'inscrire son nom, adresse ainsi que code régional et numéro de téléphone.

Robinetts fabriqués à partir d'alliages de laiton de plomb pourraient contribuer des petites quantités de plomb à l'eau qu'on laisse stagner en contact avec ledit laiton. La quantité de plomb contribué par n'importe quel robinet est supérieure lorsque le robinet est neuf. Les procédés qui suivent peuvent réduire l'exposition au plomb provenant de robinets et autres pièces du système de tuyauterie:

- Toujours faire couler l'eau pendant quelques secondes avant de s'en servir pour boire ou cuire
- Utiliser uniquement l'eau froide pour boire ou cuire
- En cas ou l'on désire purger le système entier de plomberie de l'eau stagnante dans les tuyaux ou autres montages, laisser couler l'eau jusqu'à ce que la température de l'eau tombe, indiquant ainsi que l'eau provient du conduit extérieur
- Si la teneur en plomb de votre eau vous inquiète, la faire tester par un laboratoire régional certifié.

APPELER SANS FRAIS NOTRE SERVICE À LA CLIENTÈLE



Appeler notre Service à la clientèle pour obtenir des renseignements sur nos produits, leur l'installation ou sur notre garantie.

Toronto : (905) 829-3400
Ailleurs au Canada : 1 800 465-6130
Aux É.-U. : 1 800 289-6636
Au Mexique :
(84) 88-08-26, 88-08-27,
o 91-800-84-345

Moen Incorporated • 25300 Al Moen Drive • North Olmsted, OH 44070-8022 U.S.A.
Au Canada, Moen inc., 2816 rue Bristol, Oakville (Ontario), L6H 5S7

INS236