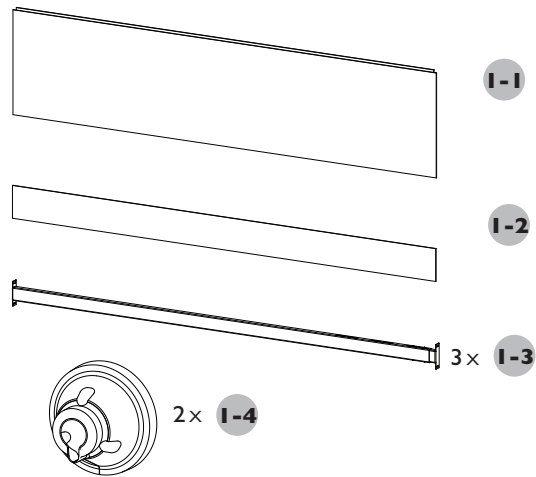


# MULTIFIT SKIRT (ADJUSTABLE) INSTALLATION

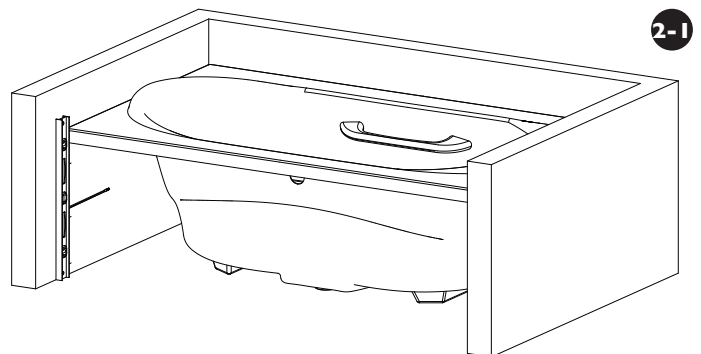
## 1. PARTS INCLUDED

<b>1-1</b>	Skirt
<b>1-2</b>	Toe kick
<b>1-3</b>	Crossbar
<b>1-4</b>	LED-cover (Required only for bath with chromotherapy).

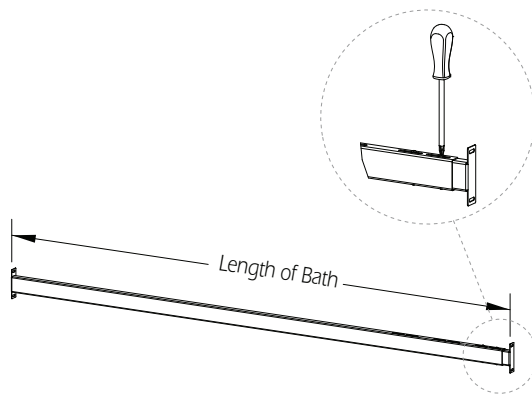


## 2. INSTALLATION

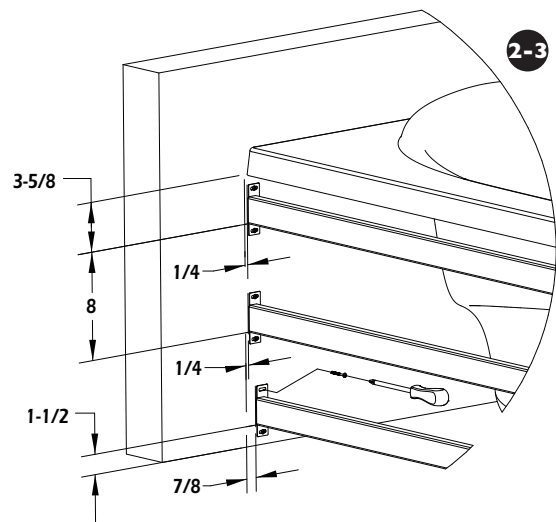
<b>2-1</b>	Holding a level against the side of the bath, trace a vertical guideline on both walls.
<b>2-2</b>	Adjust length of the 3 crossbars with the 4 screws at one crossbar end.
<b>2-3</b>	Fasten the 3 crossbars at the indicated dimensions using screws. Upper crossbar is positioned from the bottom of the ledge of the bath, and lower crossbar is positioned from the floor.



**2-2**



**2-3**



2. INSTALLATION (CONT'D)

2-4	Install magnetized toe kick to the lower crossbar.
2-5	Insert magnetized skirt behind the edge of the bath and install it to the 2 upper crossbars. If needed, unattach magnetized skirt and adjust depth of crossbars for better adjustment.
2-6	If needed, install LED-covers using silicone or sealant to prevent light from reflecting through the skirt.

