

Owner's Operation and Installation Manual for the
ES38 (RHFE-1004FTA)

Energysaver[®]
Gas Direct Vent Wall Furnace

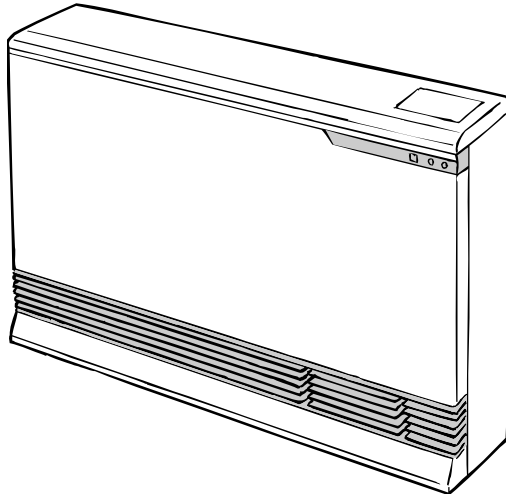


Table of Contents.....	2
Consumer Safety Information	3
Specifications.....	4
Operating Instructions	6
Installation Instructions	15
Consumer Support.....	45
State Regulations.....	47
French Version.....	48



WARNING: If the information in these instructions is not followed exactly, a fire or explosion may result causing property damage, personal injury or loss of life.

- Do not store or use gasoline or other flammable vapors and liquids in the vicinity of this or any other appliance.
- **WHAT TO DO IF YOU SMELL GAS**
 - Do not try to light any appliance.
 - Do not touch any electrical switch; do not use any phone in your building.
 - Immediately call your gas supplier from a neighbor's phone. Follow the gas supplier's instructions.
 - If you cannot reach your gas supplier, call the fire department.
- Installation and service must be performed by a qualified installer, service agency or the gas supplier.

INSTALLER: Leave this manual with the appliance.
CONSUMER: Retain this manual for future reference.

Register your product at www.rinnairegistration.com
or call 1-866-RINNA1 (746-6241)

Rinnai[®]

This appliance may be installed as an OEM installation in a manufactured home (USA only) or mobile home and must be installed in accordance with the manufacturer's instructions and the *Manufactured Home construction and Safety Standard, Title 24 CFR, Part 3280*, in the United States, or the *Mobile Home Standard, CAN/CSA Z240 MH Series*, in Canada.

This appliance may be installed in an aftermarket, permanently located, manufactured home (USA only) or mobile home, where not prohibited by local codes.

This appliance is only for use with the type of gas indicated on the rating plate. This appliance is not convertible for use with other gases, unless a certified kit is used.

Table of Contents

Consumer Safety Information

<i>Safety Definitions</i>	3
<i>Safety Behaviors and Practices</i>	3
<i>Safety Features</i>	4

Specifications

<i>Appliance Specifications</i>	4, 5
<i>Features</i>	5
<i>Flue Manifolds</i>	5

Operating Instructions

<i>Getting to Know your New Heating Appliance</i>	6
<i>Control Panel</i>	7
<i>On / Off</i>	7
<i>Child Lock</i>	7
<i>Setting the Clock</i>	8
<i>Operating the Heater Manually</i>	8
<i>Setting and Operating the Timers</i>	8
<i>Override Function</i>	9
<i>Economy (Energy Saving Mode)</i>	9
<i>Set Back</i>	10
<i>Humidifier and Air Flow Direction</i>	10
<i>Care and Maintenance</i>	11
<i>Before Making a Service Call</i>	12
<i>Fault Codes</i>	13
<i>Restart Function</i>	14
<i>Troubleshooting</i>	14

Installation Instructions

<i>General Instructions</i>	15
<i>Gas Connection</i>	16
<i>Clearances to Combustibles</i>	16
<i>Flue Terminal Clearances</i>	17, 18
<i>Dimensions</i>	19
<i>Installation Parts</i>	20
<i>Drilling Flue Hole</i>	21
<i>Attach Wall Brackets</i>	21
<i>Attach Back Spacers</i>	21
<i>Flue Manifold Installation</i>	22, 23
<i>Extension Kit Installation</i>	24-26
<i>Connecting the Appliance</i>	27
<i>Adjust Gas Pressure Settings</i>	28, 29
<i>Operating Instructions</i>	30
<i>Cut-Away Diagram</i>	31
<i>Wiring Diagram</i>	32
<i>Ladder Diagram</i>	33
<i>Parts List</i>	34-44

Consumer Support

<i>Warranty Information</i>	45
<i>Limited Warranty</i>	45, 46

State Regulations

Consumer Safety Information

Safety Definitions



This is the safety alert symbol. This symbol alerts you to potential hazards that can kill or hurt you and others.

DANGER

Indicates an imminently hazardous situation which, if not avoided, will result in death or serious injury.

WARNING

Indicates a potentially hazardous situation which, if not avoided, could result in death or serious injury.

CAUTION

Indicates a potentially hazardous situation which, if not avoided, could result in minor or moderate injury. It may also be used to alert against unsafe practices.

Safety Behavior and Practices

WARNING

- Repairs should be performed by a qualified service technician.
- Keep the area around the appliance clear and free from combustible materials, gasoline, and other flammable vapors and liquids.
- Never store liquid propane containers indoors.
- Do not use this appliance if any part has been under water. Immediately call a qualified service technician to inspect the appliance and to replace any part of the control system and any gas control which has been under water.
- This appliance is equipped with a three-prong plug for your protection against shock hazard and should be plugged directly into a properly grounded three-prong receptacle. Do not cut or remove the ground prong from this plug.
- Any alteration to the appliance or its controls can be dangerous.
- Do not operate appliance with the panels removed, cracked or broken. Replacement of the panels should be done by a licensed or qualified service person.

CAUTION

- Do not block the warm air discharge. Do not allow anyone to sleep directly in front of the appliance.
- Due to high temperatures, the appliance should be located out of traffic and away from furniture and draperies.
- Children and adults should be alerted to the hazards of high surface temperature and should stay away to avoid burns or clothing ignition.
- Young children should be carefully supervised when they are in the same room as the appliance.
- Clothing or other flammable material should not be placed on or near the appliance.
- Any safety screen or guard removed for servicing must be replaced prior to operating the appliance.
- Do not insert items into the louvers.
- Do not spray aerosols near the appliance while it is operating. Most aerosols contain butane gas which is flammable.
- Do not unplug the appliance while it is operating or while the fans are on.
- Do not use bare hands to touch the front louvers due to high temperatures which may cause burns.
- Wear hand protection when touching the side back covers, front louver, and rear intake for the convection fan.
- Prevent dust from accumulating on the power cord, side covers, and parts behind the appliance.
- Do not sit on the heater.
- Do not place containers of liquid on top of the heater. Water spillage can cause extensive damage to the appliance and may result in electric shock.

Safety Features

- **Overheat:** The appliance will automatically shut down when the appliance exceeds a predetermined temperature.
- **Flame Failure:** The appliance will automatically shut down if the burner flame is extinguished.
- **Power Failure:** The appliance will cut off the gas if it loses electrical power.
- **Power Surge Fuse:** A glass fuse on the PC board protects against overcurrent. If the fuse blows then all indicator lamps will be off.
- **Spark Detector:** The appliance automatically shuts down if there is an abnormal spark at ignition.
- **Fusible Link:** In case the overheat feature prevents the temperature from rising then the fusible link will break shutting off the appliance.

Specifications

Appliance Specifications

Application	For manufactured home (USA only) or mobile home or residential installation convertible for use with natural gas and liquefied petroleum gases (propane / LPG) when provision is made for the simple conversion from one gas to the other. For commercial setting. For installation at altitudes up to 10,200 feet (3109 m).
General Description	Forced combustion, forced convection, flued gas furnace
Operation	Push button electronic
Gas Connection	1/2 in NPT
Gas Control	Electronic
Burners	Stainless steel Bunsen burner
Temperature Control	Electronic thermostat
Ignition System	Electronic spark ignition
Flue System	The flue must be terminated to atmosphere with only flue components listed with the appliance's certification. Warranty will be voided if non listed components are installed.
Humidifier Tray	Capacity - 6.3 pints (3000 cc)
Electrical Connection	AC 120V, 60 Hz, 121 watts
Weight	90 lbs (41 kg)
Noise Level	37-47 dB
AFUE Rating	Natural Gas: 80.6% Propane: 82.0%

Rinnai is continually updating and improving products. Therefore, specifications are subject to change without prior notice.

The efficiency rating of this appliance is a product thermal efficiency rating determined under continuous operating conditions and was determined independently of any installed system.

Appliance Specifications

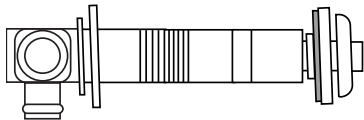
	Natural Gas	Propane Gas
Minimum supply gas pressure	5.0 in (127 mm) W.C.	11.0 in (280 mm) W.C.
Maximum supply gas pressure	10.5 in (267 mm) W.C.	13.0 in (330 mm) W.C.
BTU/hour input	Low 10,500 High 38,400	Low 10,500 High 36,500
BTU/hour output	Low 8,400 High 30,720	Low 8,400 High 29,200

Features

- Restarts automatically when ignition or combustion fails.
- Clean Heating Forced Flue Type
- Easy Operation One-Touch Ignition
- Sensible Temperature Control Feature
- Programmable Thermostat
- Warm Air Outlet at Floor Level (keeps your feet warm)
- Child Lock
- Room Temperature Setting Memory
- Clean the Air Filter - Indicator Lamp
- Energy Saving Economy Setting
- Humidifier Tray
- Air Flow Directional Louvers
- Direct Vent Easily Installed
- Proportional Heating Variable Capacity
- Hush! Quiet Operation
- Modern Design Minimizes Floor Space Requirements
- Fault Code Message Display
- Timers 1 and 2
- Set back (setting a minimum temperature)

Flue Manifolds

The following flue manifold sizes are available for different wall thicknesses:

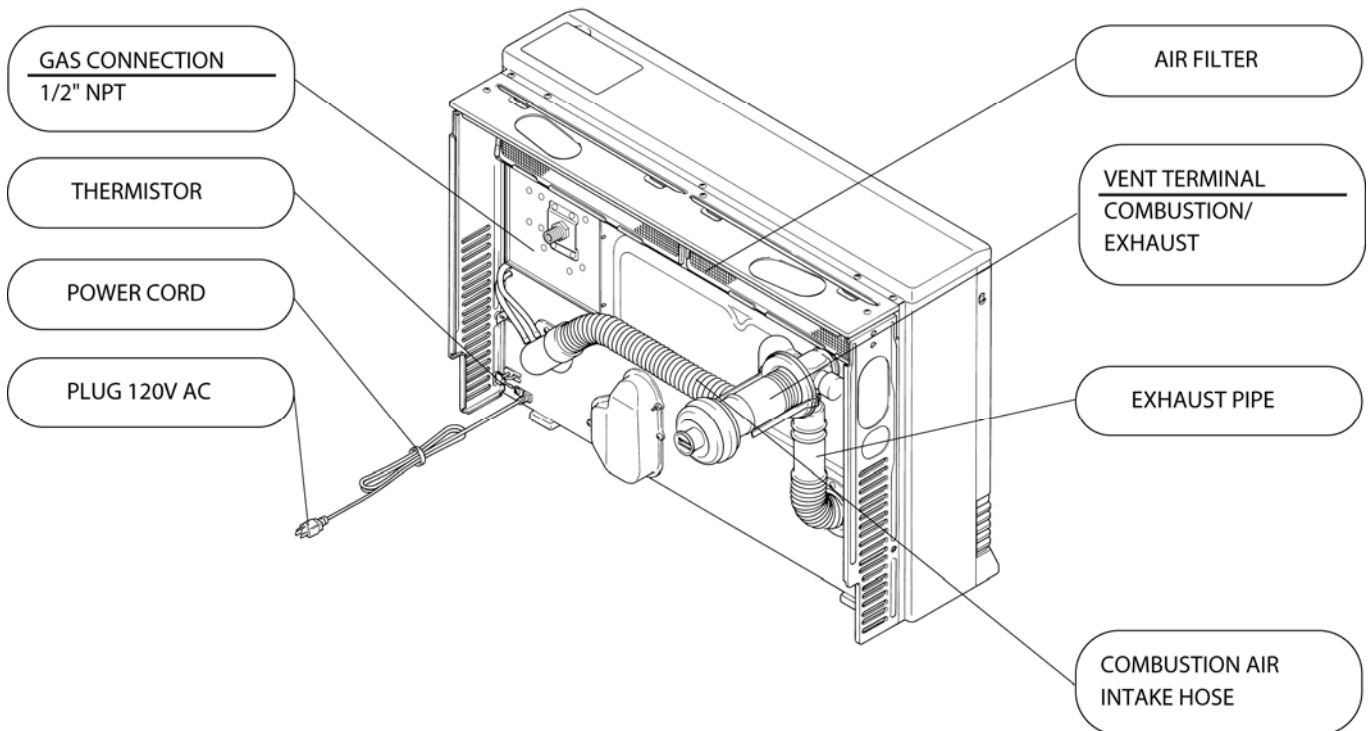
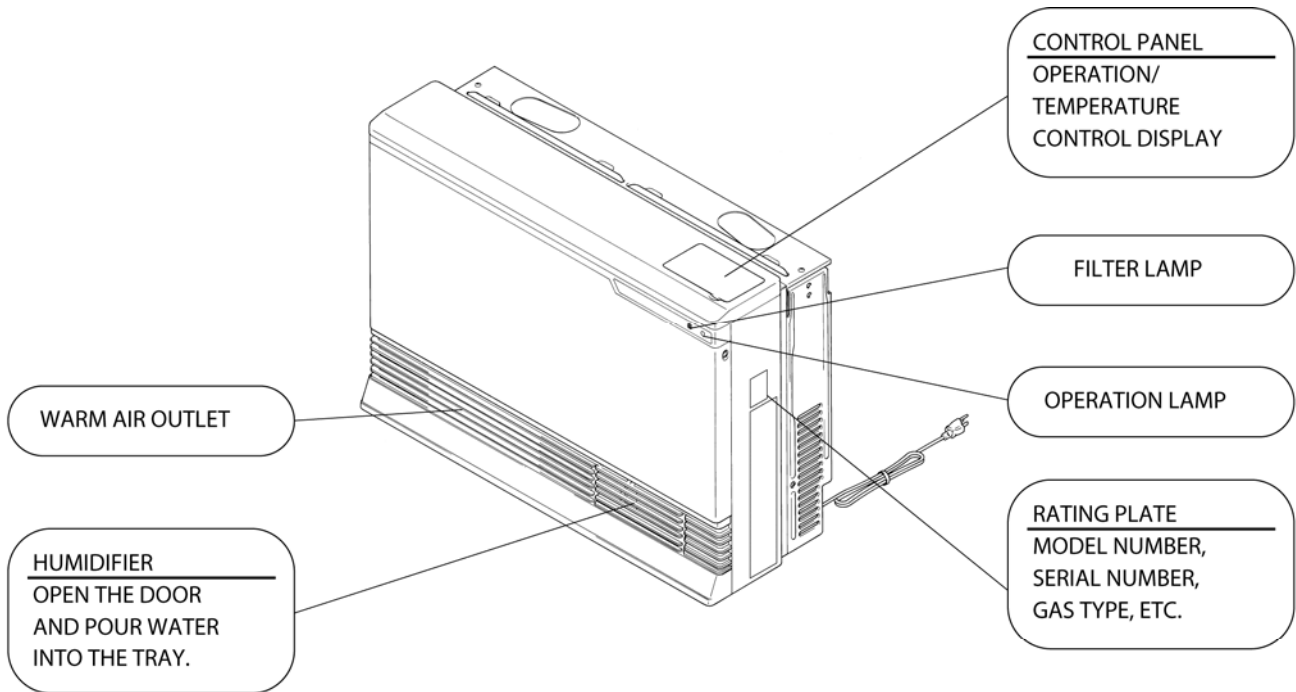


Vent A Kit is included with the appliance.

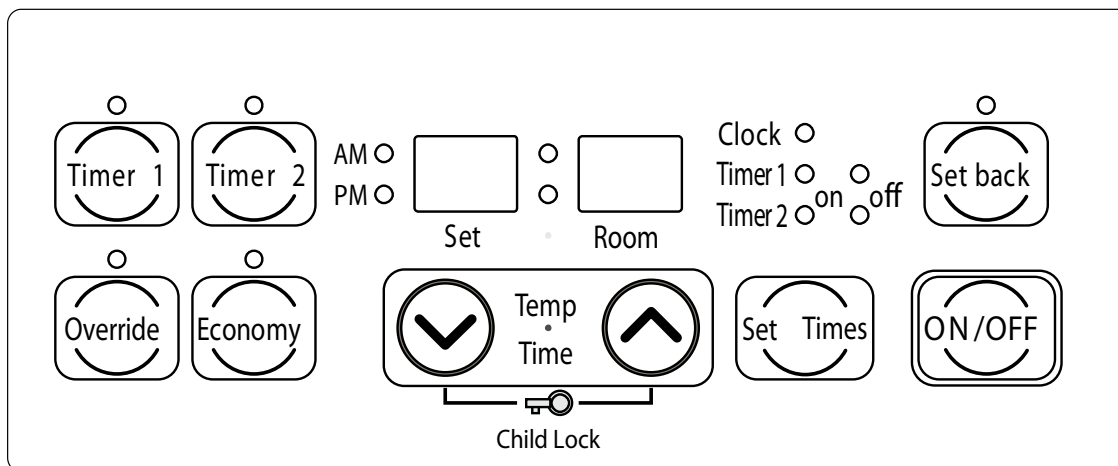
Name	Kit No.	fits walls
S Vent Kit	FOT-150	3 - 4 1/2 in (75 - 115 mm)
A Vent Kit	FOT-151	4 1/2 - 9 1/2 in (115 - 240 mm)
B Vent Kit	FOT-152	9 1/2 - 15 3/4 in (240 - 400mm)
C Vent Kit	FOT-153	15 3/4 - 23 5/8 in (400 - 600 mm)
D Vent Kit	FOT-154	23 5/8 - 31 1/2 in (600 - 800 mm)

Operating Instructions

Getting to know your New Heating Appliance



Control Panel



Sensible Temperature Control

The sensible temperature control feature allows comfortable heating which matches the conditions in the room.

Based on the information collected by the room temperature thermistor when the heating starts, the heating capacity is automatically adjusted to achieve a

comfortable heating effect and to reach the temperature setting quickly.

Occasionally, the room temperature may briefly exceed the temperature setting due to the layout of the room or heating area.

Filter Lamp

If the filter lamp flashes during operation, check the air filter for dust. If dust is present, clean the filter. See the Care and Maintenance section. Turn the heater off before cleaning the filter.

Filter



ON - 



On / Off

When you press and release the ON/OFF button, the Temperature Level lamps will illuminate, the combustion fan will begin to run, and the spark will ignite the main burner.

This heater has an automatic ignition system. When the main burner has lit, the combustion lamp will glow red, and the spark will stop.

If ignition does not occur, the appliance will automatically turn off and the Temperature Level lamps will flash indicating a fault code. This may occur when using the appliance for the first time or if it has not been used for a while. Try operating the appliance again.

To turn the heater off, press the ON/OFF button. The fan will continue to operate for several minutes after the burner has gone out in order to cool the heater. Do not unplug the heater while the fan is running.



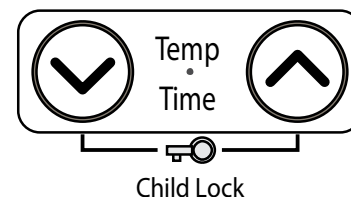
Child Lock

This feature locks the buttons to prevent unintended operation.

Press the up and down buttons to activate and the lamp will glow. Pressing and holding the up and down buttons for two seconds will disengage the Lock.

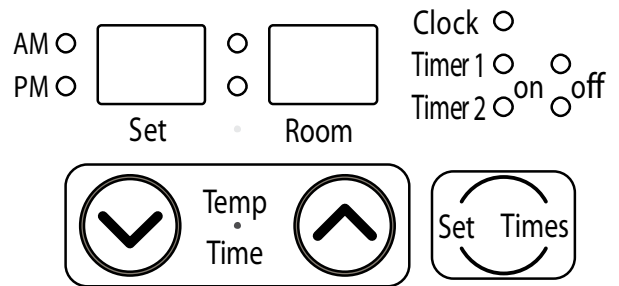
If the Lock is engaged while the unit is operating, all buttons will be disabled except for the ON/OFF button.

If the Lock is engaged while the unit is off, then all buttons will be disabled. The Lock must be disengaged in order to turn the unit on.



Setting the Clock

1. Press the "Set Times" button.
2. The light next to "Clock" should be lit. Press the up and down arrows to set the time. Holding down either of the arrow keys will change the time more quickly.
3. Press the "Set Times" button until none of the time options are lit up.



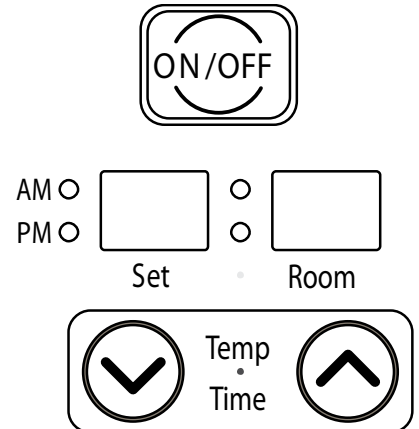
Operating the Heater Manually

1. Turn the heater on by pressing the "ON/OFF" button.
2. Press the up or down arrows to set the temperature. The left display shows the temperature setting. The right display shows the room temperature.

The thermostat automatically modulates the burner and the fan to maintain the temperature setting.

The temperature settings available are:

- LO - burner is on minimum combustion
- 60° F - 80° F in two degree increments
- HI - burner is on maximum combustion



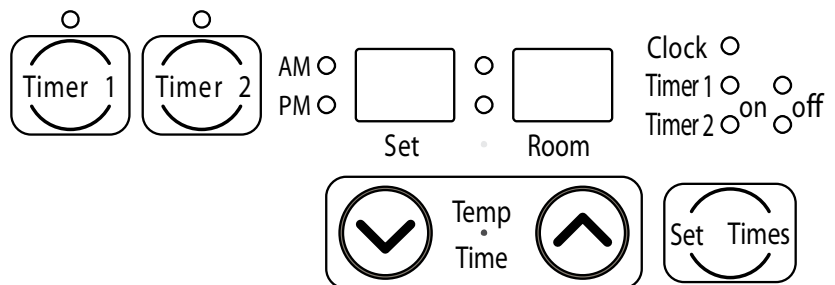
Setting and Operating the Timers

Confirm the clock is correct.

NOTE: The clock will have to be reset in case of a power failure. However the timers will retain their settings.

The heater will start before the programmed starting time in order to heat the room by the programmed starting time.

The timers can be set while the heater is on or off. To operate the timer, the heater must be on.



Setting the timers:

1. Press the "Set Times" button twice to set Timer 1.
2. The light next to "Timer 1 on" should be lit. Press the up or down arrows to set the start time. Holding down either of the arrow keys will change the time more quickly.
3. Press the "Set Times" button again so that the Timer 1 off position is lit. Press the up or down arrows to set the end time. Holding down either of the arrow keys will change the time more quickly.
4. Press the "Set Times" button again to set the times for Timer 2. Follow the same steps above to set the start and end times.
5. Press the "Set Times" button until none of the time options are lit up.

Operating the timers:

To operate the heater using a Timer, press the ON/OFF button and the appropriate Timer button. The heater will operate from the start to end times you have entered for that Timer. It will operate at the temperature setting that has been set for the heater. The timer can be set while the heater is operating.

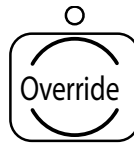
Override Function

This function is used only when the heater is in Timer operation.

It allows you to “override” the reset timer setting until the beginning of the next Timer period.

For example, if the heater is ON, pressing the “Override” button will turn the heater OFF until the next period. If the heater is OFF, pressing the “Override” button will turn the heater ON, and allow you to select a temperature setting, until the next period. The heater will remain on until the next timer period or until the Override function is turned off.

When in override function, pressing the “Override” button will return the heater to the operation of the current timer period.



Economy (Energy Saving Mode)

The Economy mode can only be set while the heater is operating (heating). Once it is set, it will remain in the system memory until deactivated.

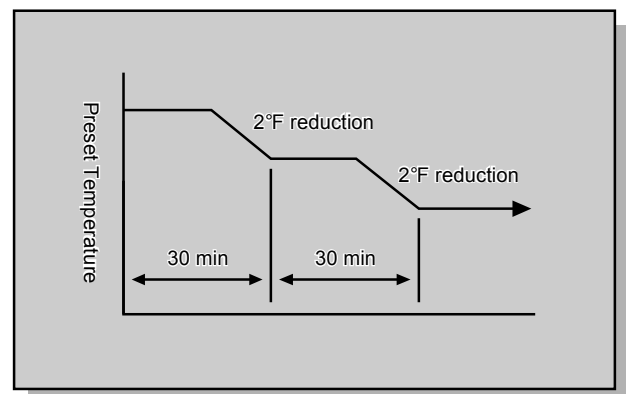
1. To turn the Economy mode on, press the “Economy” button. The Economy indicator is lit.
 - The Economy mode now remains in the system memory.
 - If the appliance is turned off manually, or stops heating as a result of an OFF timer period, the “Economy “ indicator will go out.
 - Whenever the appliance starts heating again, the “Economy” indicator will light.
2. To turn the Economy mode off, press the “Economy” button. The “Economy “ indicator will go out.
 - The Economy mode can only be turned off while the heater is operating (heating) and when the “Economy” indicator is lit.



Economy Mode Information

After the room is heated initially, the air temperature may be dropped to a lower level without affecting comfort. The Economy Mode reduces the temperature by 2 °F, 30 minutes after the room temperature setting is reached. After another 30 minutes, it reduces the temperature setting by another 2 °F, effectively saving energy. The room temperature setting will drop up to a total of 4 °F.

The Economy Mode will not operate if the heater is under capacity for the room size.



Set Back

This function allows a minimum room temperature to be pre-set, between 38°F and 78°F (in 2°F increments). This temperature should be set below the room temperature setting. The default setting is 60°F. Once the Set back function is selected the appliance will start heating whenever the room temperature falls below the selected temperature, regardless of timer or manual settings.

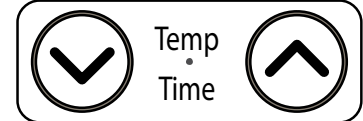
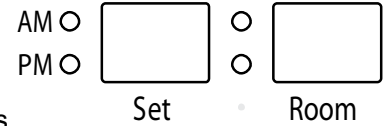
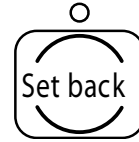
Follow these steps to set and operate the Set back feature:

1. Make sure the heater is turned OFF.
2. Press the "Set back" button. The light above the button will come on.
3. Press the up and down buttons to set the minimum temperature.

When the "Set back" indicator is on, frost protection is operating, and will always prevent the room temperature from falling below the pre-set minimum temperature (as long as electric power and gas is supplied).

To turn this feature off, press the "Set back" button.

The unit will retain its ON or OFF setting after a power failure. (Default setting at the factory is on.)



Humidifier and Air Flow Direction

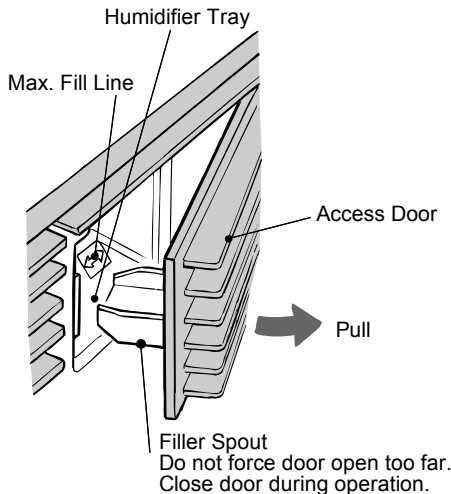
Adding Water to the Humidifier

CAUTION Do not fill the tray while the appliance is in operation. Close the door after filling. The humidifier tray and surrounding area are hot when the appliance is on.

To fill the tray, open the door as shown in the diagram and pour water into the tray using the spout built into the door. The air will be humidified as it passes over the water in the tray.

During operation a small amount of condensation is produced in the flue system and drains into the humidifier tray.

If the water overflows from the water level hole, then do not add any more water.



Adjusting Air Flow Direction

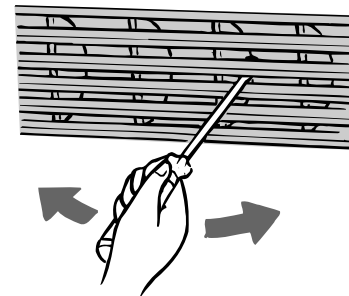
CAUTION Do not adjust the air flow louvers while warm air is flowing.

The vertical louvers may be adjusted to move the air flow more to the right or to the left.

Use a screw driver or similar object to bend each louver to the desired position.

Do not bend repeatedly (no more than 5 times) or else the louver will break.

The horizontal louvers (which determines the vertical air flow direction) are fixed and cannot be adjusted.



Care and Maintenance

Maintenance

All maintenance and service are to be performed by a qualified service technician, preferably one who has attended Rinnai service training classes on the Direct Vent products.

The appliance should be inspected annually by a qualified service technician. More frequent cleaning may be required due to excessive lint from carpeting, bedding material, etc. It is imperative that control compartments, burners, and circulating air passage ways of the appliance be kept clean.

Any screen or guard removed for servicing the appliance must be replaced prior to operating the appliance. Clean as follows:

1. Turn heat off. Allow to cool for one hour.
2. Remove the front panel by removing two screws.
3. Use pressurized air to remove dust from the main burner, heat exchanger, and fan blades.
4. Use soft dry cloth to wipe cabinet.

Do not use wet cloth or spray cleaners on the burner.

The flue should be inspected annually for blockages or damage.

Motors are permanently lubricated and do not need periodic lubrication. Keep fan and motor free of dust and dirt by cleaning annually.

Verify proper operation after servicing.

When attaching the front panel, take care not to clip or pinch any electric cords to prevent electric shock.

Care of Exterior

Dampen soft cloth with warm water. Wring water out well and wipe the unit.

Do not use volatile substances such as benzene or thinners. They cause fading of the paint and deformation of the resin.

CAUTION

Prevent dust from accumulating on the power cord, side covers, and parts behind the appliance.

Snow Accumulation

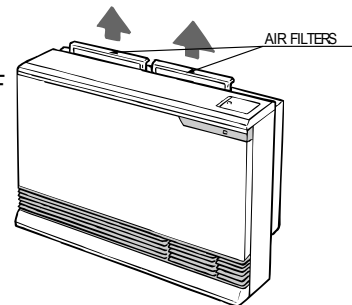
Keep the area around flue terminal free of snow and ice. The appliance will not function properly if the intake air or exhaust is impeded by obstructions.

Refer to the Flue Terminal Clearances. The clearance in Ref. A should be maintained from any snow accumulation.

Filters

Dirty filters reduce the air flow and the appliance's ability to produce heat. The filters should be cleaned frequently during the heating season. If the filters become blocked the filter indicator lamp will flash and the appliance will beep. Eventually the appliance will turn off and the Temperature Level lamp 14 will light, indicating a fault code.

To clean the filters, the appliance should be OFF and cool. Remove the filter and clean it using a soft dry cloth or vacuum. If the filter is greasy wash with warm soapy water, rinse, and dry completely.



Do not use the appliance without the filters installed.

Visual Inspection of Flame

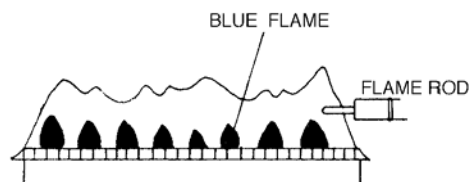
Check that the burner flames are operating normally. The flame can be seen through the circular window on the right side of the heat exchanger assembly.

When operating normally the burner flame should appear as long, clear, blue, stable, streaks. Yellow flames or an orange color is abnormal and maintenance is required.

VISUAL CHECK

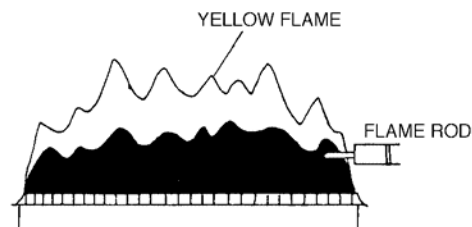
SATISFACTORY

FRONT VIEW



UNSATISFACTORY

FRONT VIEW



Before Making a Service Call

Before making a service call please check the following:

■ At Ignition:

Heater does not operate.	➔	Is the heater plugged in? Have the fuses or breaker blown at the fuse box / breaker panel? Is there a power failure? Is the air filter blocked? Is anything blocking the outlet for the hot air? Is the flue blocked?
Warm air does not flow when the burner lights.	➔	The fan is started automatically after a short delay. This is to allow the heat exchanger to warm up, helping to avoid cold draughts.
Smoke or strange smells are produced on the first trial light up after installation.	➔	This is caused by grease or oil and dust on the heat exchanger and will stop after a short time.
Sharp clicking noises at ignition, or when unit cuts down on the thermostat, or goes out.	➔	This is simply expansion noise from the heat exchanger.

■ During Combustion:

Clunking noise when the thermostat operates.	➔	This is the sound of the solenoid gas valves opening and closing.
Unit is not heating room.	➔	Is the air filter blocked? Is the set temperature high enough? Is the warm air outlet blocked by anything? Are the doors and windows of the room closed? Was the appliance correctly sized for the space?
Air filter is blocked or the louvers are blocked or obstructed.	➔	Allow heater to cool, clean air filter, operate again.
Heater will not re-ignite after overheating.	➔	Even after unit has cooled down, the heater does not ignite again. Repair is necessary. Contact a qualified / authorized service provider.

■ When the unit is turned off.

Convection fan continues to run after turning OFF.	➔	This is to remove the residual heat from the heat exchanger. The fan will stop when the heater cools down.
--	---	--

■ Other Points:

Steam is discharged from the flue terminal .	➔	High efficiency appliances tend to discharge water vapor on cold days. This is normal.
Unit cuts off without apparent reason.	➔	Check whether filters are blocked. Dirty filters will cause the heater to overheat.
Power Failure.	➔	Switch OFF, then ON again when power is restored to re-set controls.

Fault Codes

If there is a malfunction the appliance may shut down as a safety precaution and display a fault code to assist in diagnosing the problem. The fault code will flash in the display on the control panel. When making a service call, this code will assist with diagnosing the fault.

You may be able to clear the fault code by turning the heater off and then on again. If the fault code remains or returns on the next operation, contact Rinnai or your nearest service agent and arrange for a service call.

CODE DISPLAYED	FAULT	REMEDY
11	Ignition Failure	Check that gas is turned ON. Check that the vent termination is not blocked. Refer to the Restart Function explanation. Service call if repeated.
14	Overheat	Clean filter. Service call if repeated. [1]
16	Room Overheat	Lower room temperature to less than 104°F (40°C).
31	Room Temperature Sensor Disconnection (open circuit)	Service call.
32	Room Temperature Sensor short circuit	
33	Overheat Temperature Sensor Disconnection (open circuit)	
34	Overheat Temperature Sensor short circuit	
49	Sensor Breakdown	
53	Sparker Failure	
61	Combustion Fan Failure	
70	Faulty ON/OFF Switch or Faulty "Set Back" Switch	
71	Faulty Solenoids	
72	Faulty Flame Rod	
73	Communication Error	Turn heater OFF, then ON again.
99	Flue Block	Check around the flue terminal for blockage. [2]

[1] If the fusible link needs replacement, it must be done by a qualified service agency. In addition, the cause of the overheat needs to be determined. The fusible link is a one use safety device that breaks to shut off the appliance.

[2] Remove any obstructions. The flue needs to be kept clear to expel exhaust gases. If the appliance fails to operate contact a qualified service agency.

Restart Function

If there is a power failure while the appliance is on, then the appliance will start automatically when the power is restored.

If the appliance fails to ignite, the appliance will attempt ignition after 1 hour. The “Ignition Failure” fault code, 11, will appear during that hour and disappears after a successful ignition. If ignition fails again, then the fault code will remain and another attempt to ignite will occur in 1 hour. The fault code is not stored in the fault code history.

If the flame is extinguished during forced combustion then the appliance will attempt ignition after 1 hour. The “Ignition Failure” fault code, 11, will appear during that hour and disappears after a successful ignition. Forced combustion takes place for about 15 seconds after ignition. After this time, the temperature control logic controls the combustion.

If the flame is extinguished (burner combustion failure) while the temperature control logic is operating the appliance, then the appliance will immediately attempt ignition. No fault code will appear.

In summary, if the ignition fails or the flame is extinguished during forced combustion then the appliance will attempt to restart after 1 hour. If the flame is extinguished after this period then the appliance will immediately attempt ignition.

Troubleshooting

Problem Cause	No ON indicator	Burner doesn't ignite	Unusual combustion	Combustion stops during operation	Smell of gas	Noisy ignition	Takes too long to warm the room	Remedy
Not Plugged In	●	●						Plug In
Power Failure	●	●		●				Push On/Off button to attempt restart after power is restored.
(Initial Installation) Air In Gas Pipe		●						Purge air (Installer)
Gas Filter Blocked		●	●				●	Service Call
Miss Ignition	●	●						Service Call
Flue terminal obstructed			●	●		●		Clear obstruction
Flue manifold not connected					●	●		Service Call
Louver obstructed				●			●	Clear obstruction
Air filter blocked				●			●	Clean filter
Gas Escape					●			Service Call
Child Lock Set		●						Cancel Child Lock
Gas turned off at meter, tank, or valve.		●						Turn gas on
ON Timer is set		●						Cancel “ON” Timer or push override button

Installation Instructions

General Instructions

WARNING

Do not use substitute materials.

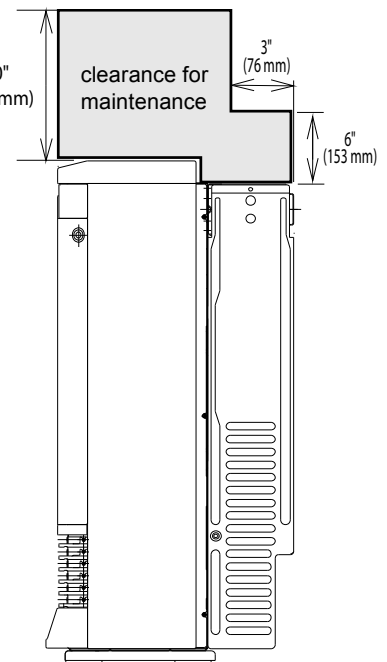
Use only parts certified with the appliance.

NOTICE

If installation is at a location above 2001 ft (610 m), then follow the Adjust Gas Pressure Settings procedure.

Appliance input ratings are based on sea level operation and need not be changed for operation up to 2000 ft (610 m) elevation.

- A qualified service technician should install the appliance and inspect it before use.
- If you move, check the gas type in your new area. The local gas authority will be able to advise on local regulations.
- The installation must conform with local codes or, in the absence of local codes, with the *National Fuel Gas Code, ANSI Z223.1/NFPA 54*, or the *Natural Gas and Propane Installation Code, CSA B149.1*.
- A manufactured home (USA only) or mobile home OEM installation must conform with the *Manufactured Home Construction and Safety Standard, Title 24 CFR, Part 3280*, or, when such a standard is not applicable, the standard for *Manufactured Home Installations, ANSI Z225.1*, or the standard for *Gas Equipped Recreational Vehicles and Mobile Housing, CSA Z240.4*.
- The appliance, when installed, must be electrically grounded in accordance with local codes or, in the absence of local codes, with the *National Electrical Code, ANSI/NFPA 70*, or the *Canadian Electrical Code, CSA C22.1*.
- The appliance and its appliance main gas valve must be disconnected from the gas supply piping system during any pressure testing of that system at test pressures in excess of 1/2 psi (3.5 kPa).
- The appliance must be isolated from the gas supply piping system by closing its equipment shutoff valve during any pressure testing of the gas supply piping system at test pressures equal to or less than 1/2 psi (3.5 kPa).
- If the flooring is carpet, tile, or other combustible material other than wood, then the appliance must be installed on a metal or wood panel extending the full width and depth of the appliance.
- This appliance discharges a large volume of warm air next to the floor. Any particles in the air such as cigarette smoke could cause discoloration in nylon carpets containing dyes or vinyl surfaces.
- This appliance is not designed to be built in.
- This appliance is only for use with the type of gas indicated on the rating plate. This appliance is not convertible for use with other gases unless a certified kit is used. If conversion of the unit is needed, conversions must be performed by a qualified service provider at the owner's expense.
- This appliance must not be connected to a chimney flue serving a separate solid-fuel burning appliance.
- Rinnai suggests that a dedicated electrical circuit with a 120VAC, 60 Hz, 10 amp power source be used.
- A test plug are provided for testing of manifold differential pressure. It is located on the modulating gas valve.
- The appliance should be correctly sized for the space it is required to heat. It is recommended that an Industry standard BTU Heat Loss Calculation be conducted to determine the proper sizing.
- Follow the installations instructions and those in *Care and Maintenance* for adequate combustion and ventilation air.
- The flow of combustion and ventilation air shall not be obstructed.
- Clearances to access the appliance during servicing are 10 inches (254 mm) from the sides, 40 inches (1 m) from the front, and the area shown above the appliance in the picture.



Gas Connection

WARNING

When connecting the gas valve or other gas components in the gas line, use a backup wrench to ensure the connection is gas tight.

- The gas supply line shall be gas tight, sized and so installed as to provide a supply of a gas sufficient to meet the maximum demand of the heater without loss of pressure.
- A shut off valve and appliance connector valve should be installed in the upstream of the gas line to permit servicing.
- Flexible pipe and any appliance connector valve used for gas piping shall be types approved by nationally recognized agencies.
- Any compound used on the threaded joint of the gas piping shall be a type which resists the action of liquefied petroleum gas (propane / LPG).
- After completion of gas pipe connections all joints including the heater must be checked for gas tightness by means of leak detector solution, soap and water, or an equivalent nonflammable solution, as applicable. (Since some leak test solutions, including soap and water, may cause corrosion or stress cracking, the piping shall be rinsed with water after testing, unless it has been determined that the leak test solution is non-corrosive.)
- Check the gas supply pressure immediately upstream at a location provided by the gas company. Supplied gas pressure must be within the limits shown in the Specifications section.
- Refer to an approved pipe sizing chart if in doubt about the size of the gas line.
- Install manual gas cut-off valve so that it can be accessed for easy operation. Do not conceal manual cut-off valve behind back spacer.
- An elbow is supplied to attach to the gas line if needed.

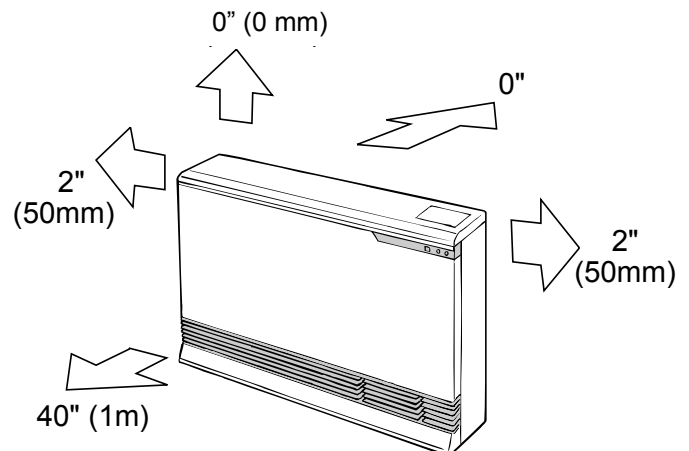
Clearances to Combustibles

When determining where to install the appliance the clearances to combustibles shown in the figure must be followed. Also refer to the Safety Behaviors and Practices section.

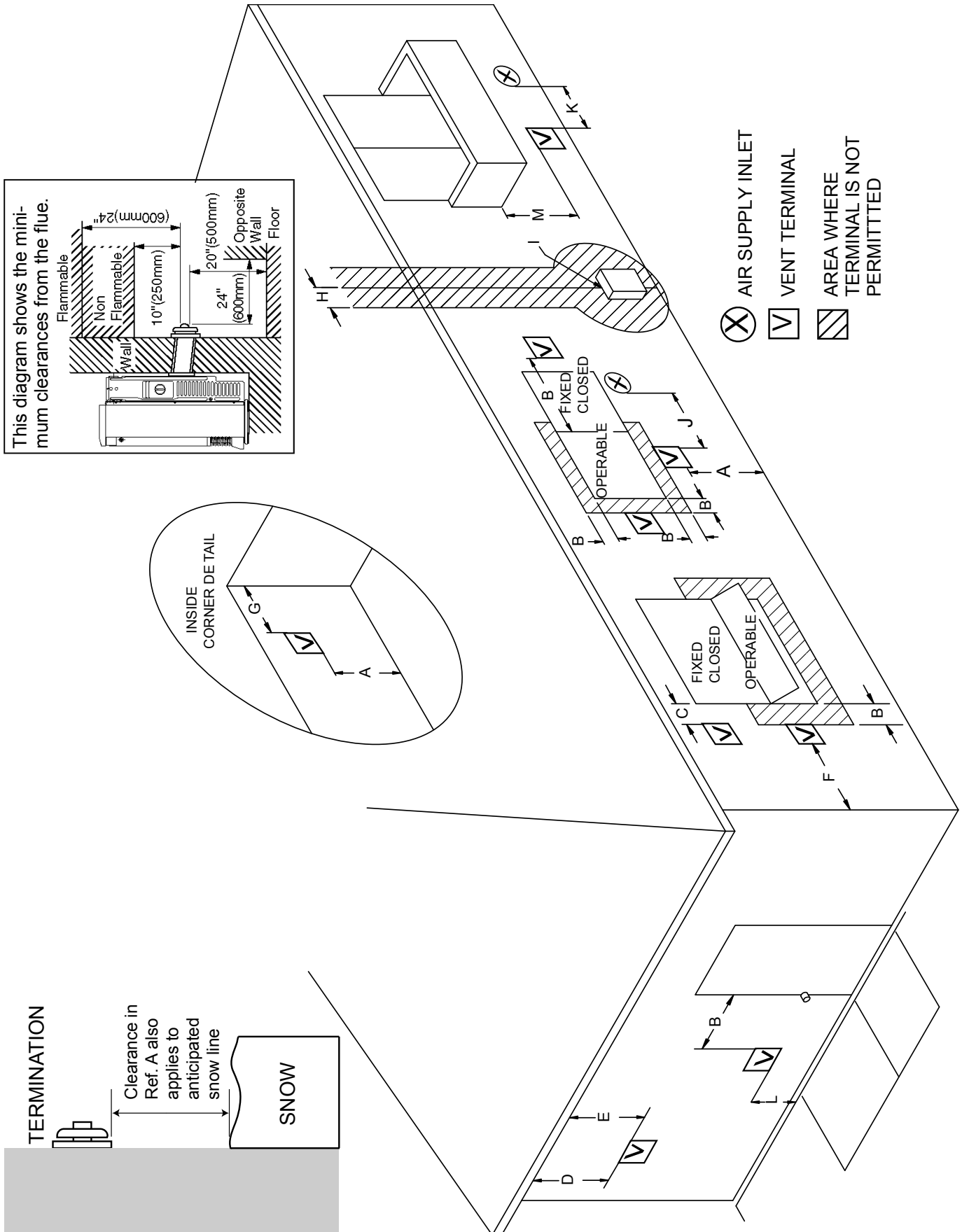
Rinnai recommends 10" (254 mm) clearance from the top and on both sides for servicing.

NOTICE

The 40 inch (1 meter) clearance from the front of the appliance does not include flooring material or carpeting that is less than 1.2 inches (30 mm) in height.



Flue Terminal Clearances



Flue Terminal Clearances

Ref	Description	Canadian Installations	US Installations
A	Clearance above grade, veranda, porch, deck, or balcony. (Take into account the anticipated snow line)	12 inches (30 cm)	12 inches (30 cm)
B	Clearance to window or door that may be opened	12 inches (30 cm)	9 inches (23 cm)
C	Clearance to permanently closed window	*	*
D	Vertical clearance to ventilated soffit, located above the terminal within a horizontal distance of 2 feet (61 cm) from the center line of the terminal	*	*
E	Clearance to unventilated soffit	*	*
F	Clearance to outside corner	*	*
G	Clearance to inside corner	20 inches (50 cm)	20 inches (50 cm)
H	Clearance to each side of center line extended above meter/regulator assembly	3 feet (91 cm) within a height 15 feet (4.5 m) above the meter/regulator assembly	*
I	Clearance to service regulator vent outlet	3 feet (91 cm)	*
J	Clearance to nonmechanical air supply inlet to building or the combustion air inlet to any other appliance	12 inches (30 cm)	9 inches (23 cm)
K	Clearance to a mechanical air supply inlet	6 feet (1.83 m)	3 feet (91 cm) above if within 10 feet (3 m) horizontally
L	Clearance above paved sidewalk or paved driveway located on public property	7 feet (2.13 m) ①	*
M	Clearance under veranda, porch, deck, or balcony	12 inches (30 cm) to non-flammables ② 24 inches (60 cm) to flammables ②	12 inches (30 cm) to non-flammables ② 24 inches (60 cm) to flammables ②

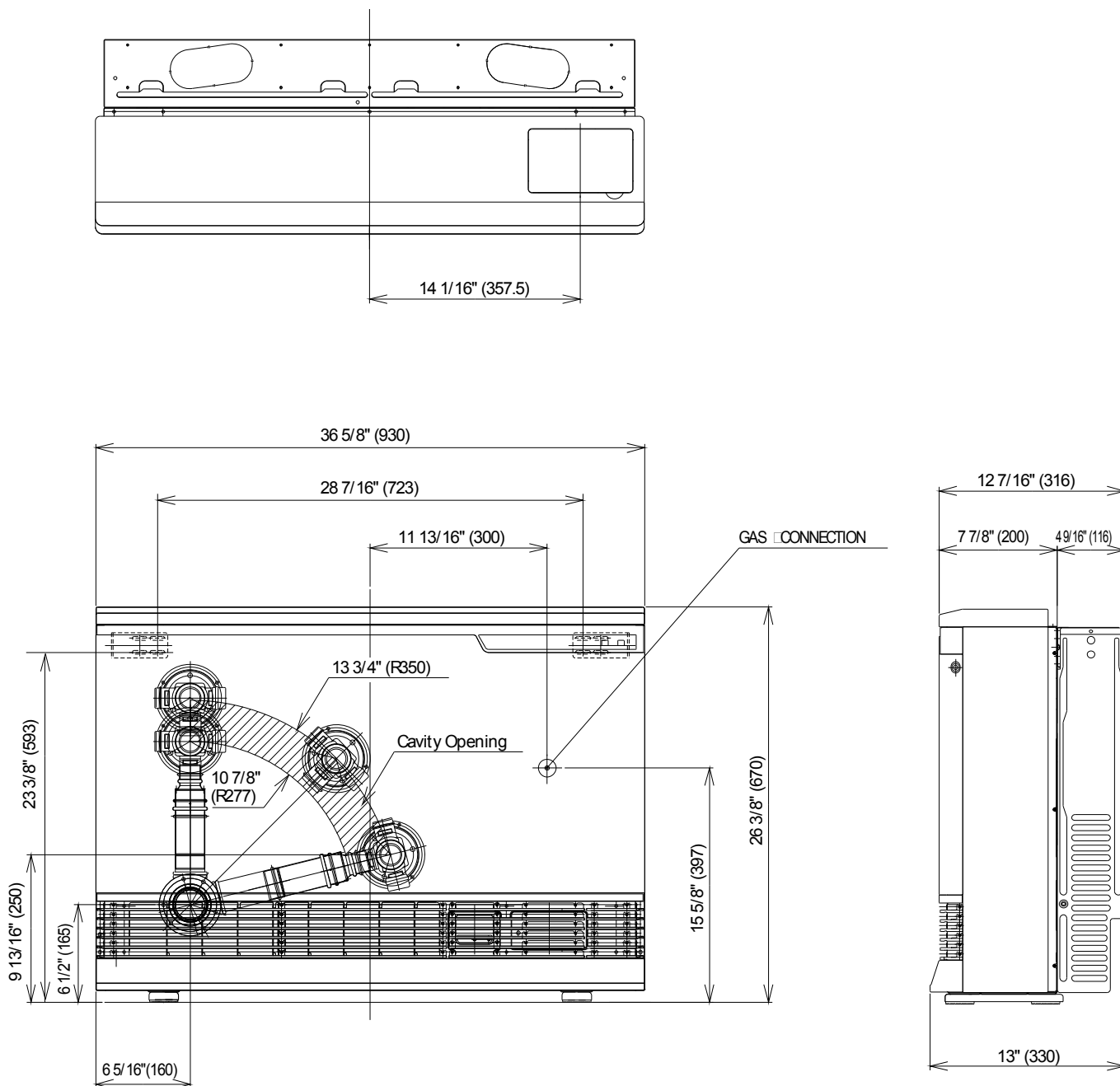
① A vent shall not terminate directly above a sidewalk or paved driveway that is located between two single family dwellings and serves both dwellings.

② Permitted only if veranda, porch, deck, or balcony is fully open on a minimum of two sides beneath the floor.

* For clearances not specified in *ANSI Z223.1/NFPA 54* or *CSA B149.1*, clearances are in accordance with local installation codes and the requirements of the gas supplier.

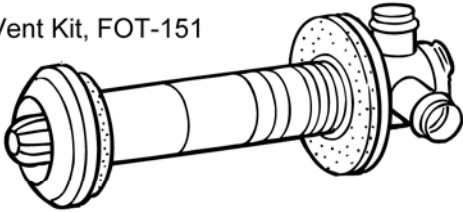

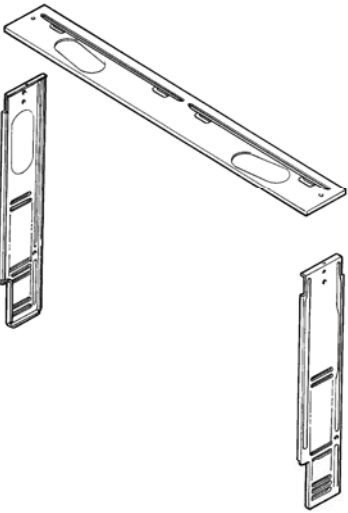










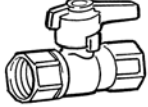
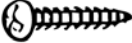

Dimensions

inches (mm)



Installation Parts

The following items are included with the appliance:

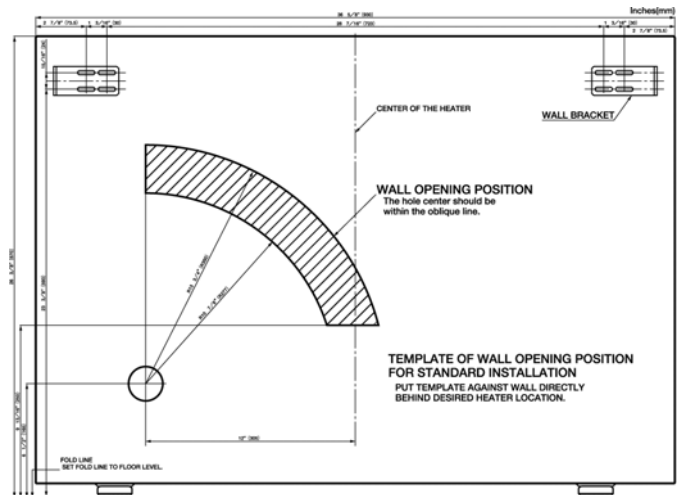
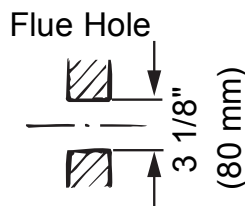
<p>Flue Manifold1</p> <p>"A" Vent Kit, FOT-151</p> 		<p>Spare rubber seal.....1</p> <p>('A' Flue units only)</p>  <p>(For weatherboard installations)</p>	
Back Spacer Set		1	<p>Wall Brackets</p>  <p>2</p>
			<p>Insulation Clip</p>  <p>1</p>
			<p>Plastic tie for air inlet</p>  <p>1</p>
			<p>(M4)</p>  <p>For Back Spacer Set</p> <p>7</p>
Flue adaptor		1	<p>(M5)</p>  <p>For Wall Brackets</p> <p>4</p>
Pipe stopper A&S		2	<p>(M4× 20)</p>  <p>For Flue Lock Stopper</p> <p>1</p>
Pipe stopper E		1	<p>(M4)</p>  <p>For Flue Manifold</p> <p>3</p>
Manual Valve		1	<p>(M4.8× 32)</p> <p>Wood Screws</p>  <p>Wall Bracket Screws</p> <p>7</p>
Elbow (gas)		1	<p>Owner's Manual</p> <p>Template (on box)</p> <p>1</p>

Drilling Flue Hole

Ensure that there are no gas or water lines, or electrical circuits in the wall location where the flue hole is to be drilled.

Drill the flue hole using a 3 1/8 inch (80 mm) drill. A template is provided on the appliance carton/box. The center of the hole must be located anywhere within the shaded area, unless extension kits are used. See the dimensions diagram.

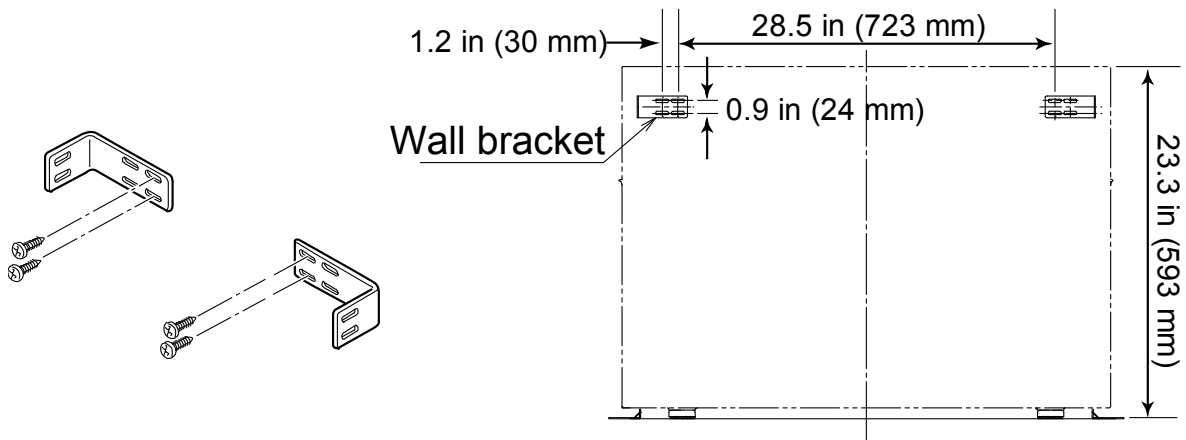
For weatherboard walls, drill through the center of the weatherboard from the outside first and then through the plasterboard.



Template is on the appliance carton/box.

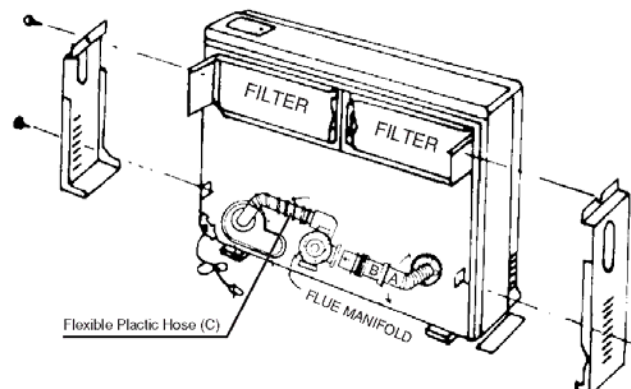
Attach Wall Brackets

Attach the wall brackets as shown. A template is provided.



Attach Back Spacers

Attach side back spacers to both sides of the appliance with 2 screws each.



Flue Manifold Installation

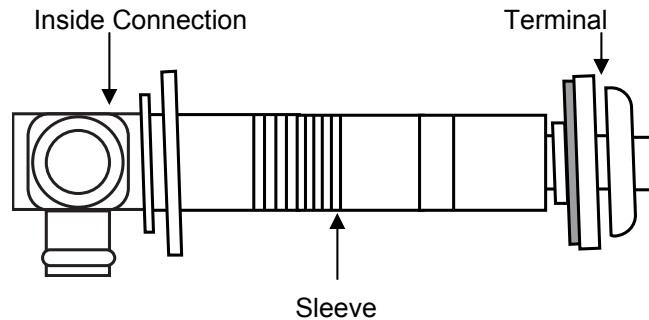
- The flue manifold must exhaust to the outside. Do not exhaust into other rooms.
- The flue manifold is not designed to be positioned under floors or below the heater.
- The termination cannot be vertical.
- This appliance can only be used with one of the five types of Rinnai flue kits. The flue kits and their dimensions are listed on the previous page.
- Refer to the Flue Terminal Clearances section.

1. Disassemble the flue manifold

The flue consists of 3 parts:

- sleeve
- inside connection
- outside terminal

Disassemble the flue manifold by first pulling out the inside connection. To remove the outer terminal pull and release the two internal ties and then pull out the outer terminal.



Clearance to combustibles for the sleeve and flanges is zero inches.

2. Adjust the sleeve length

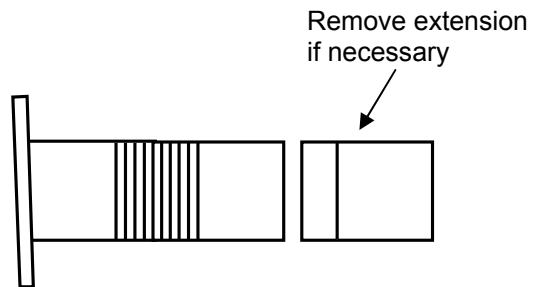
Measure wall thickness through previously drilled 3 1/8 inch (80 mm) hole.

The end of the sleeve should protrude 3/16 - 3/8 inch (5-10 mm) from the outside wall.

The sleeve is threaded for adjustment. Adjust the sleeve length to wall thickness plus 3/16 - 3/8 inch (5-10 mm).

NOTE: Do not extend beyond the red line.

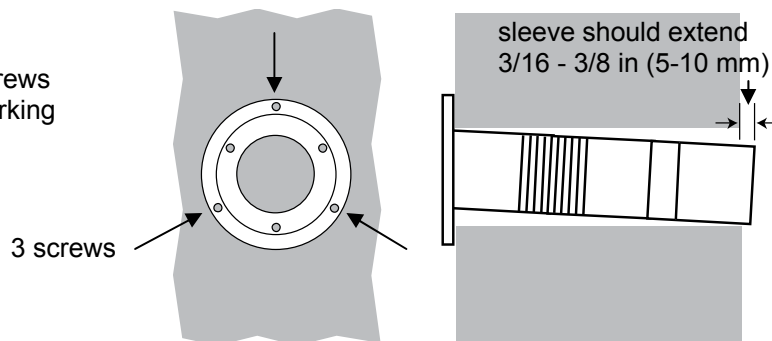
For other than the "S" type flue manifold, if a shorter length is necessary an extension can be removed. Cut the plastic and remove the extension.



3. Attach the sleeve

Attach to the inside wall using 3 screws arranging the flange so that the marking "TOP" is at the top.

The flange is offset 2° to allow the condensate drain to the outside.

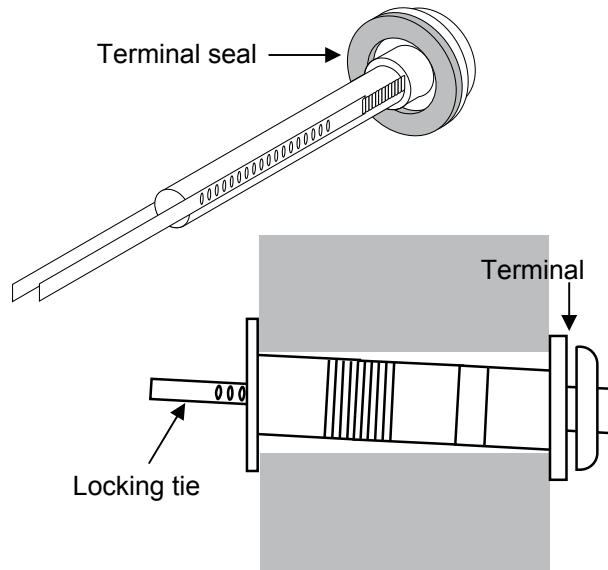


Flue Manifold Installation

4. Install the Terminal

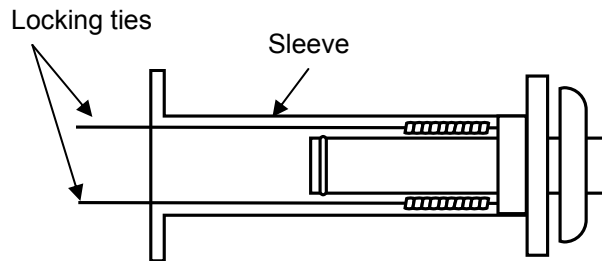
Check that the terminal seal is in place. For weatherboard walls, add the second seal next to the terminal seal to compensate for weather board angle.

From the outside insert the terminal into the sleeve with the marking "TOP" at the top. The left hand side locking tie should be marked "LEFT".



6. Lock the ties

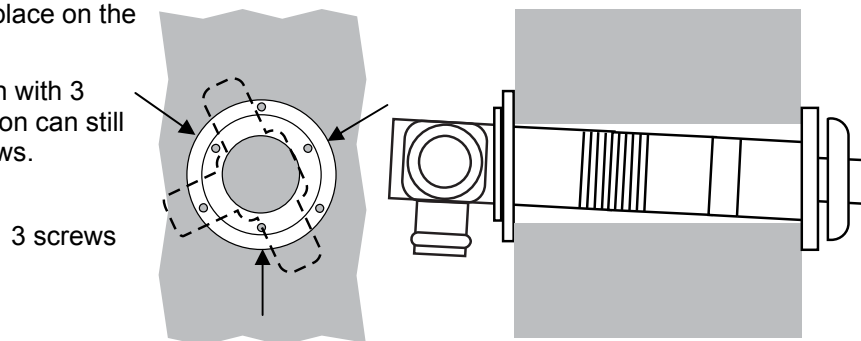
Pulling hard on the left and right hand ties, clip the ties over the notches inside the sleeve. You should be able to pull the ties 2 or 3 notches past the starting point. Cut the ties, leaving about 3/4 inch (20 mm) past the notch. Bend the ties back into the sleeve and parallel to the wall.



7. Insert Inside Connection Assembly

Push the assembly into the terminal tube, ensuring that the seal is in place on the inner tube.

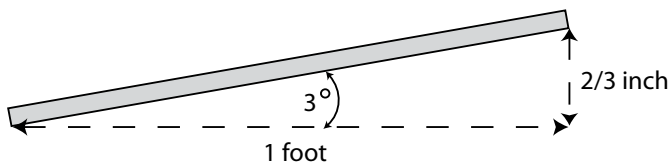
Attach the inside connection with 3 screws. The inner connection can still be turned to install the screws.



Extension Kit Installation

If necessary, extension kits are available to extend the exhaust line and air intake hose between the manifold and the appliance. The maximum vent length is 13 feet (4 m) with 2 bends. The bent pipe attached to the appliance does not count toward the max limit of 2 bends.

Horizontal sections should be sloped 3° to drain condensate. (3° equals $2/3$ inch drop per foot of vent.) The direction should be to the outside (if local codes allow) or toward the appliance. Do not allow any low points in the exhaust line where condensate will collect.



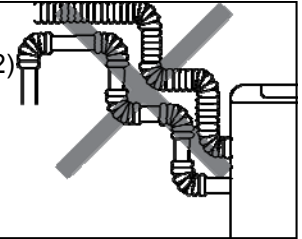
Slope horizontal sections 3° ($2/3$ inch drop per foot of vent.)

Vent extensions installed in unconditioned air space must be insulated with high temperature insulation and must be accessible.

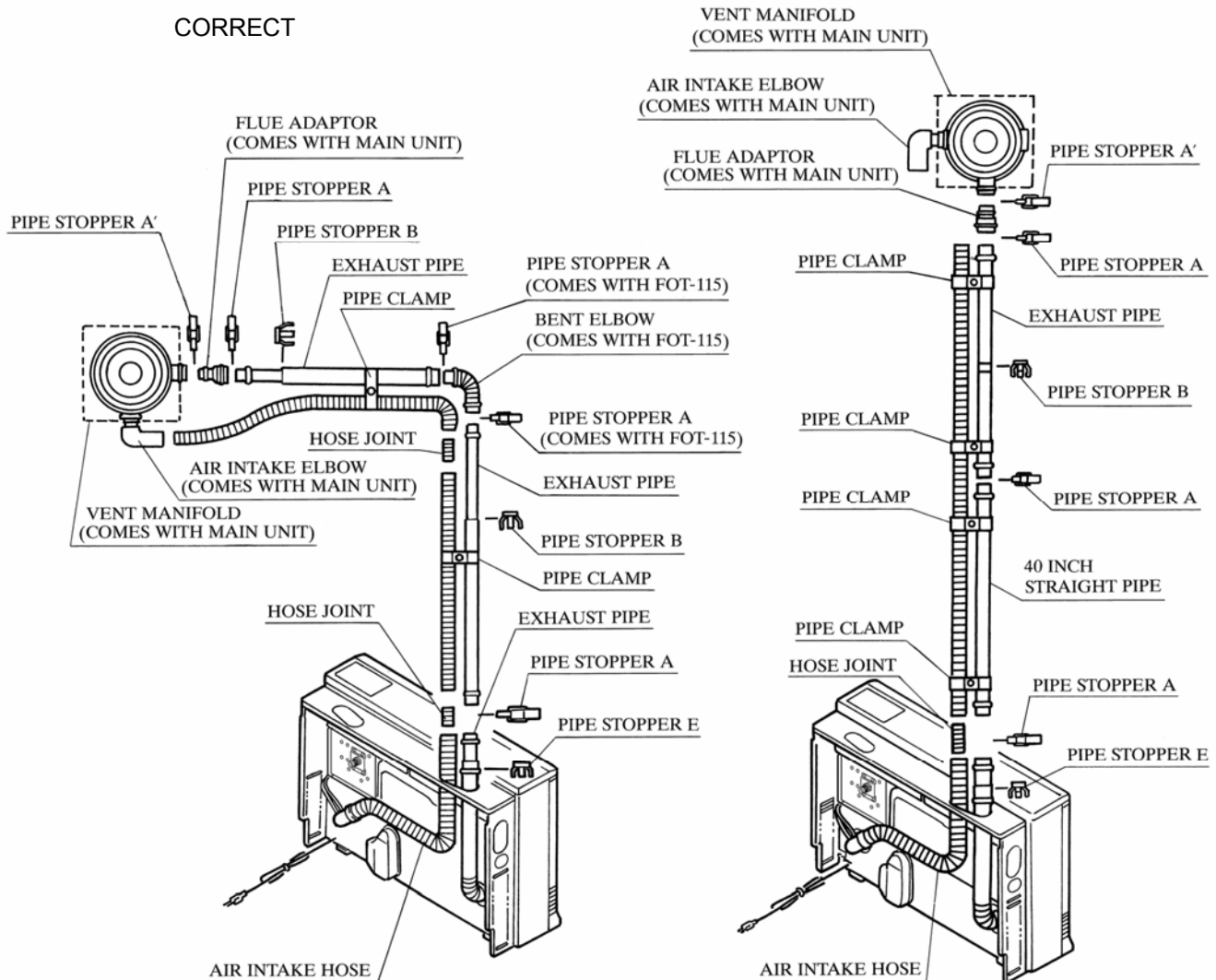
Vent extensions must not be concealed per NFPA 54 and must be accessible allowing inspection and repair. Decorative covers are available from Rinnai.

INCORRECT

- Too many bends (limit is 2)
- Air intake hose is above exhaust pipe



CORRECT



Extension Kit Installation

CAUTION Use the pipe stoppers, connectors, clamps, and screws according to these instructions in order to ensure no leakage of exhaust gases.

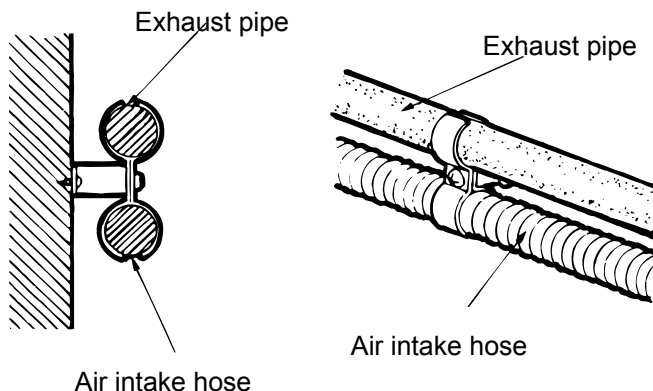
Clearances

exhaust pipe to combustibles	1 inch (25.4 mm)
exhaust pipe to non-combustibles	zero

Clamps

Both the exhaust line and air intake hose are supported by clamps which are attached to the wall. A wall fixture can be used to offset the clamp from the wall. Use Screw B to attach the wall fixture to the wall. If the wall fixture is not used then use Screw A and the nut to attach the clamp to the wall.

The air intake hose should always be underneath the exhaust line so that in case the air intake hose sags it will not come into contact with the exhaust line.



Installing the Exhaust Line

The exhaust line is connected between the bent pipe at the rear of the heater and the exhaust port on the flue manifold.

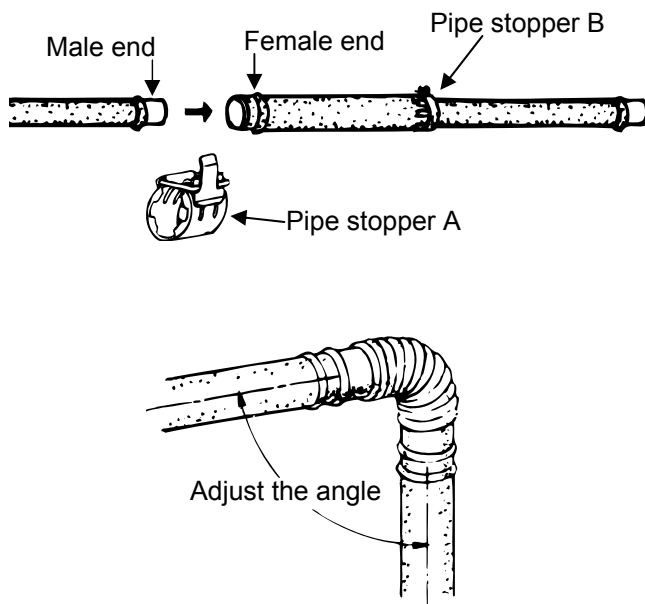
To connect exhaust pipes with other straight pipes or bends, fit the male end into the female end. Use pipe stopper A to clamp the connection.

Use pipe stopper B to fix the length on the adjustable exhaust pipes. Do not extend these pipes beyond the red line.

Do not cut the exhaust pipe. Use the adjustable pipes if necessary.

To bend the elbow, insert exhaust pipes into both ends for additional leverage. Bend to desired angle.

Do not straighten the bent pipe attached to the appliance.



Connecting the Air Intake Hose

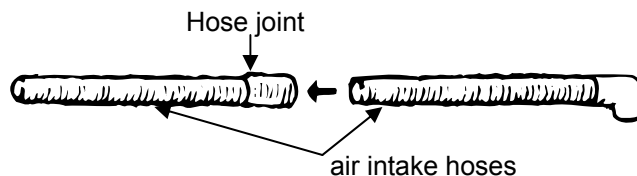
The air intake hose is connected between the air connection at the rear of the heater and the air intake port on the flue manifold.

Push the air intake hose onto the flue manifold and secure with the plastic cable tie.

Join air intake hoses by screwing the hose joint half of its length into the air intake hose and then screwing another air intake hose into the hose joint.

The lengths of the air intake hose and the exhaust pipe must be the same in order for the appliance to operate properly. The hose can be cut to the required length. Deburr all rough edges. Do not cut the hose attached to the appliance.

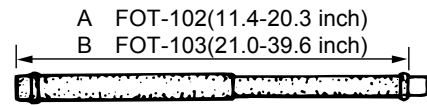
Support the air intake hose with pipe clamps.



NOTICE Do not cut the intake hose. Cutting the intake hose may result in noise.

Extension Kit Installation

Extension Kits and Parts



① EXHAUST PIPE



⑥ PIPE STOPPER A



⑨ PIPE CLAMP



⑫ SCREW A



② EXHAUST PIPE (STRAIGHT) 40 inch



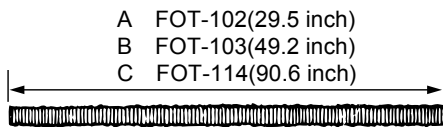
⑦ PIPE STOPPER B



⑩ WALL-FIXTURE



⑬ SCREW B



③ AIR INTAKE HOSE



⑧ TOP STOPPER



⑪ NUT



⑭ O RING



④ BENT ELBOW

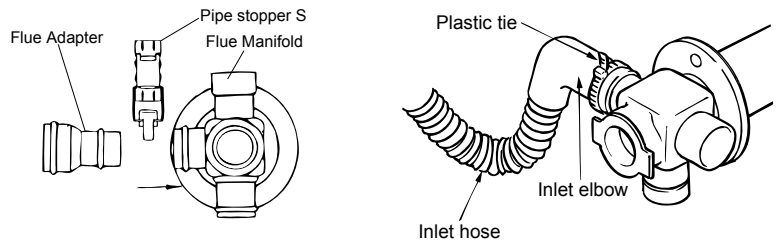


⑤ HOSE JOINT

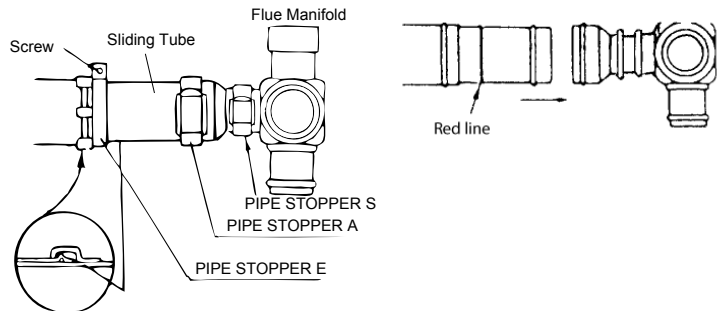
Item	Description	Part No.	FOT-102	FOT-103	FOT-114	FOT-115
1	Exhaust Pipe (adjustable) 11.4-20.3 in (290-515 mm)	FOT 111-1	1			
1	Exhaust Pipe (adjustable) 21.0-39.6 in (533-1005 mm)	FOT 112-1		1	1	
2	Exhaust Pipe - 40 in (1016 mm)	FOT 114-3			1	
3	Air Intake Hose - 29.5 in (750 mm)	RHF 1000-130-e	1			
3	Air Intake Hose - 49.2 in (1.25 m)	RHF 1000-130-b		1		
3	Air Intake Hose - 90.6 in (2.3 m)	RHF 1000-130-F			1	
4	Bent Elbow	FOT 025-4				1
5	Hose Joint	FOT 064-8	1	1	1	
6	Pipe Stopper A	1001F-250	1	1	2	2
7	Pipe Stopper B	FOT 111-6	1	1	1	
8	Top Stopper	FOT 062-7	1	1	1	
9	Pipe Clamp	FOT 064-11	2 sets	3 sets	4 sets	
10	Wall Fixture	FOT 064-12	2	3	4	
11	Nut	FOT 062-10	2	3	4	
12	Screw A	ZAA0420SC	2	3	4	
13	Screw B	CP-30408	4	6	8	
14	O Ring	M10B-4-49				1

Connecting the Appliance

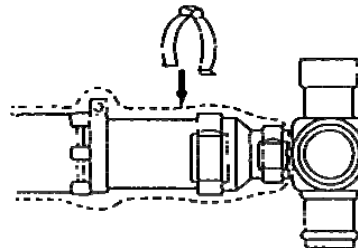
1. Attach flue adapter to the flue manifold with pipe stopper S.
2. Attach the air inlet hose to the flue manifold. Secure with plastic tie. The unused inlet is plugged with the rubber cap supplied on the manifold.



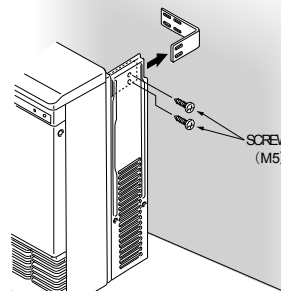
3. Connect the vent sliding tube with pipe stopper S and E. The sliding tube should not be extended beyond the red line. The red line should not be visible after sliding the tube into the vent outlet.



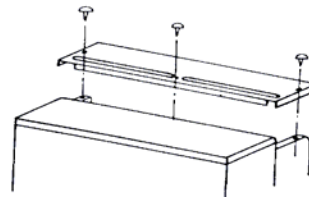
4. Slide the insulation sleeve up to the flue manifold and slip the securing clip over the sleeve as shown.



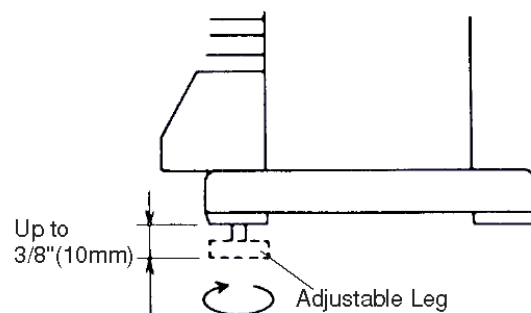
5. Attach the appliance to the wall brackets, using 2 screws at each bracket.



6. Attach the back spacer with 3 screws to the top of the appliance.



7. If necessary, the appliance can be leveled using the adjustable legs under the front right and left legs.



Adjust Gas Pressure Settings

Complete these instructions for altitudes greater than 2000 ft, 610 m.

For high altitude installations in Canada, the conversion shall be carried out by a manufacturer's authorized representative, in accordance with the requirements of the manufacturer, provincial or territorial authorities having jurisdiction and in accordance with the requirements of CAN/CGA-B149.1 or CAN/CGA-B149 installation codes.

CAUTION ⚡

Do not touch any other areas on the PC board besides the "SW" switches while power is supplied to the appliance. Parts of the PC board are supplied with 120 volts AC.

CAUTION ✋

Do not insert hands or objects into the circulation fans while they are running. Injury or mechanical malfunction may occur.

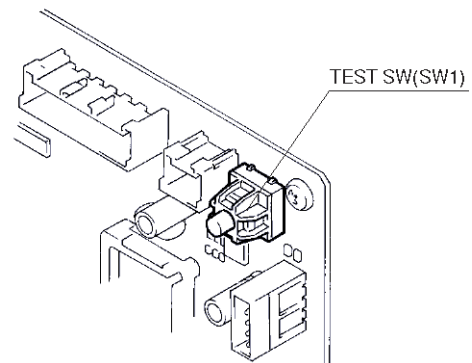
CAUTION 🔥

Do not touch the areas at or near the exhaust. This area becomes very hot and could cause burns.

NOTICE

The regulator has been factory pre-set. If the pressure is incorrect, check the supply pressure first, before making any adjustments to the appliance. Also, if the low control pressure cannot be obtained, adjust the adjustment screw on the proportional valve to roughly set pressure and then recheck both the low and high fire pressures.

1. Turn off the gas and the power supply.
2. Remove one test point screw (1/8 NPT tap) with 3/16 Allen wrench and attach the manometer to the test port. Ensure that the manometer is properly calibrated.
3. Turn on the gas and power supply to the appliance. With the unit in the Off position, press the SW1 switch at the top of PC board until it beeps.
4. Select the correct code for gas type and altitude on the LED display using ▲ and ▼ buttons:



Code	Natural Gas				Propane Gas			
	A1	A2	A3	A4	L1	L2	L3	L4
Altitude	0-2000 ft 0-610 m	2001-5200 ft 611-1585 m	5201-7700 ft 1586-2347 m	7701-10200 ft 2348-3109 m	0-2000 ft 0-610 m	2001-5200 ft 611-1585 m	5201-7700 ft 1586-2347 m	7701-10200 ft 2348-3109 m
Manifold test pressure - W.C. Low	1.97 in (50 mm)	1.97 in (50 mm)	1.97 in (50 mm)	1.97 in (50 mm)	4.29 in (109 mm)	4.29 in (109 mm)	4.29 in (109 mm)	4.29 in (109 mm)
Manifold test pressure - W.C. High	3.7 in (94 mm)	3.3 in (83 mm)	3.0 in (76 mm)	2.8 in (70 mm)	10.1 in (257 mm)	9.1 in (232 mm)	8.3 in (212 mm)	7.6 in (194 mm)

Adjust Gas Pressure Settings

5. Press the SW1 switch to enter the gas code into memory.

The LED display turns blank and the unit returns to the normal off mode. You are now ready to program in your correct low fire and high fire gas pressure setting. Follow the procedure below for setting the manifold gas pressure. Do not adjust gas pressure on this appliance using the screw on top of the gas valve.

6. Press the ON/OFF button to operate the appliance.
7. Press the SW1 switch. The LED will display two digits - a "7" and another number.
8. Press the SW1 switch again to change to the low pressure mode. The LED will display "PL".
9. Compare the pressure reading on the manometer to the correct table for your gas type. If necessary adjust the low fire pressure using the ▲ and ▼ buttons. Press the Economy switch to record into memory. Press the SW1 switch twice.
10. The LED will display "PH" indicating high fire mode.
11. Compare the pressure reading on the manometer to the correct table for your gas type. If necessary adjust the high fire pressure using the ▲ and ▼ buttons. Press the Economy switch to record into memory.
12. The LED will display two digits - a "7" and another number. If the LED shows any thing else call Rinnai Technical Support at 1-800-621-9419 for assistance.
13. Press the ON/OFF button again. The LED display turns blank and the appliance returns to the normal OFF mode.
14. Remove manometer and install Allen head screw. Operate the unit and
 - check the normal operating sequence
 - visually inspect the flame
 - check for gas leaks at the test points

NOTE: If the LED display shows "HF" or "LF" do not touch the ▲ and ▼ buttons or Economy button. In this case push SW1.

Normal Operating Sequence

When you press the ON/OFF button, the LED display will illuminate, the combustion fan will begin to run, and the spark will ignite the main burner.

This heater has an automatic ignition system. When the main burner has lit, the combustion lamp will glow red, and the spark will stop.

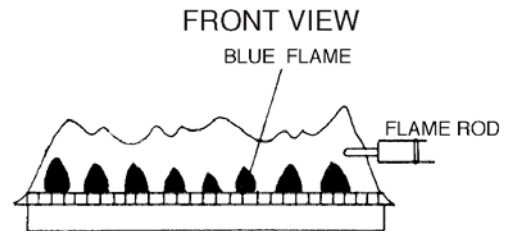
Visual Inspection of Flame

Check that the burner flames are operating normally. The flame can be seen through the circular window through the louvers.

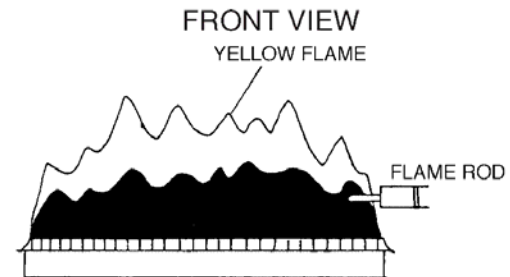
When operating normally the burner flame should appear as long, clear, blue, stable, streaks. Yellow flames or an orange color is abnormal and maintenance is required.

VISUAL CHECK

SATISFACTORY



UNSATISFACTORY



Final Assembly

1. Install the front panel and bottom cover.
2. Place the conversion plate (label) on the front cover.

FOR YOUR SAFETY READ BEFORE OPERATING




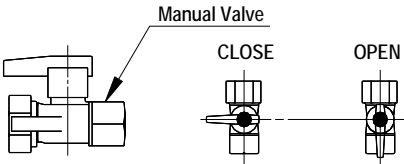

WARNING

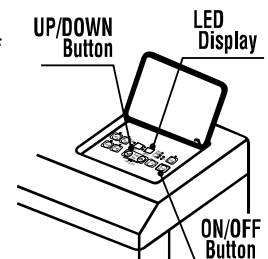
If you do not follow these instructions exactly, a fire or explosion may result causing property damage, personal injury or loss of life.

- A. This appliance does not have a pilot. It is equipped with an ignition device which automatically lights the burner. Do not try to light the burner by hand.
- B. **BEFORE OPERATING** smell all around the appliance area for gas. Be sure to smell next to the floor because some gas is heavier than air and will settle on the floor.


WHAT TO DO IF YOU SMELL GAS
 - Do not try to light any appliance.
 - Do not touch any electric switch; do not use any phone in your building.
 - Immediately call your gas supplier from a neighbor's phone. Follow the gas supplier's instructions.
- If you cannot reach your gas supplier, call the fire department.
- C. Use only your hand to push in or turn the gas control knob. Never use tools. If the knob will not push in or turn by hand, do not try to repair it, call a qualified service technician. Force or attempted repair may result in a fire or explosion.
- D. Do not use this appliance if any part has been under water. Immediately call a qualified service technician to inspect the appliance and to replace any part of the control system and any gas control which has been under water.

OPERATING INSTRUCTIONS

- **STOP!** Read the safety information above.
1. Set the thermostat to lowest setting.
2. Turn off all electric power to the appliance using the ON/OFF button on the control panel. Locate manual gas valve to be found on back side of heater.
3. Turn Manual valve clockwise  to the full OFF position.

4. Wait five (5) minutes to clear out any gas. Then smell for gas, including near the floor. If you smell gas, STOP! Follow "B" in the safety information above. If you don't smell gas go to the next step.
5. Turn the manual gas valve counterclockwise  to the full ON position.
6. Turn on all electric power to the appliance using the ON/OFF button.
7. Set the thermostat to desired setting.
8. Burner is lit when the combustion indicator glows red.
9. Combustion indicator flashes when burner fails to ignite.
10. If the appliance will not operate, follow the instructions "To Turn Off Gas To Appliance" and call your service technician or gas supplier. See manual for additional information.

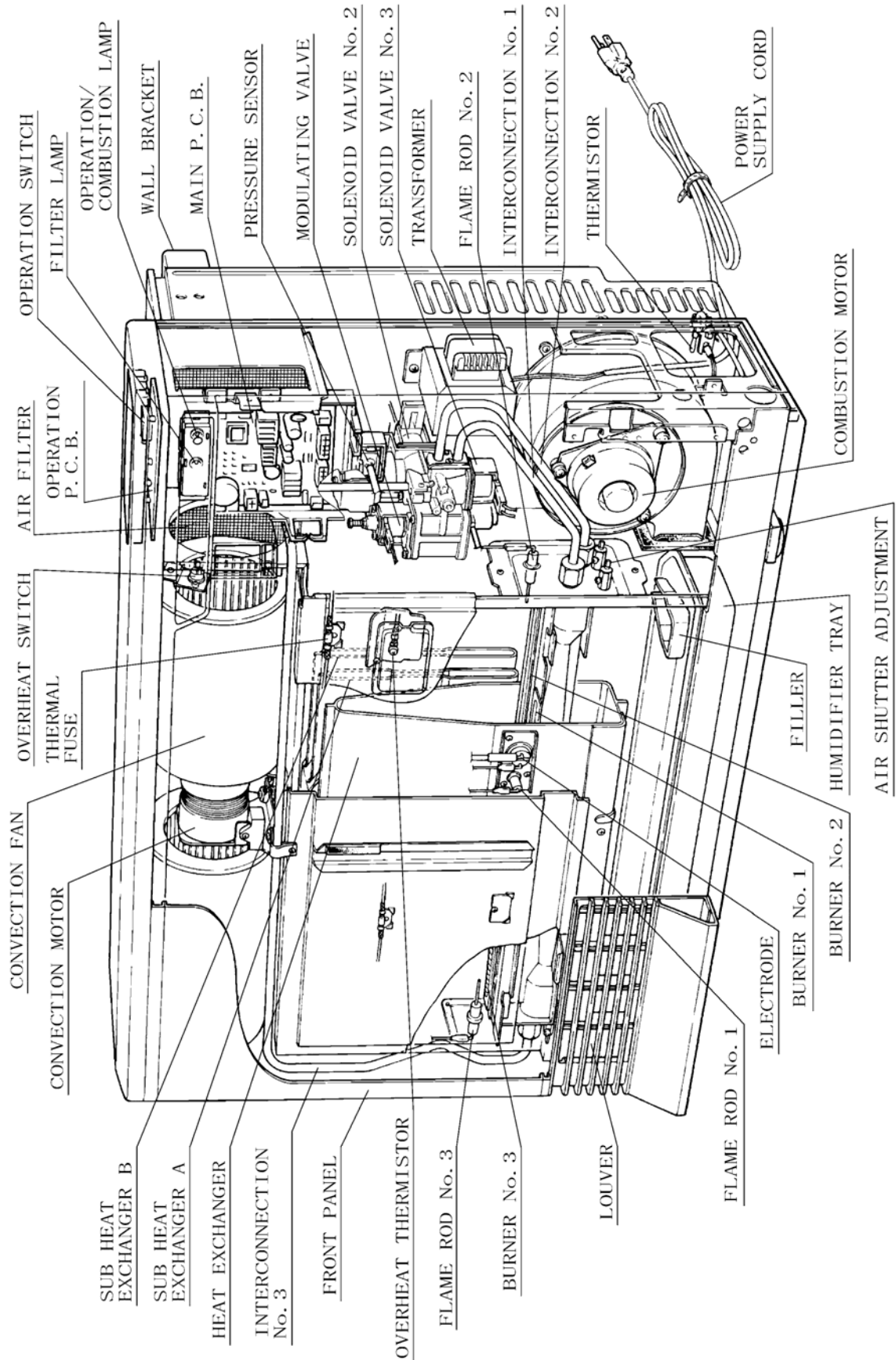


TO TURN OFF GAS TO APPLIANCE

1. Set the thermostat to lowest setting.
2. Turn off all electric power to the appliance using the ON/OFF button.
3. Locate the manual gas valve. Turn the manual valve clockwise to the full OFF position. 

NOTE: The fan will continue to operate until the appliance is cool. Do not turn the appliance off by unplugging it from the wall. Keep burner and control compartment clean. See installation and operating instructions.

Cut-Away Diagram



Wiring Diagram / Schéma de câblage

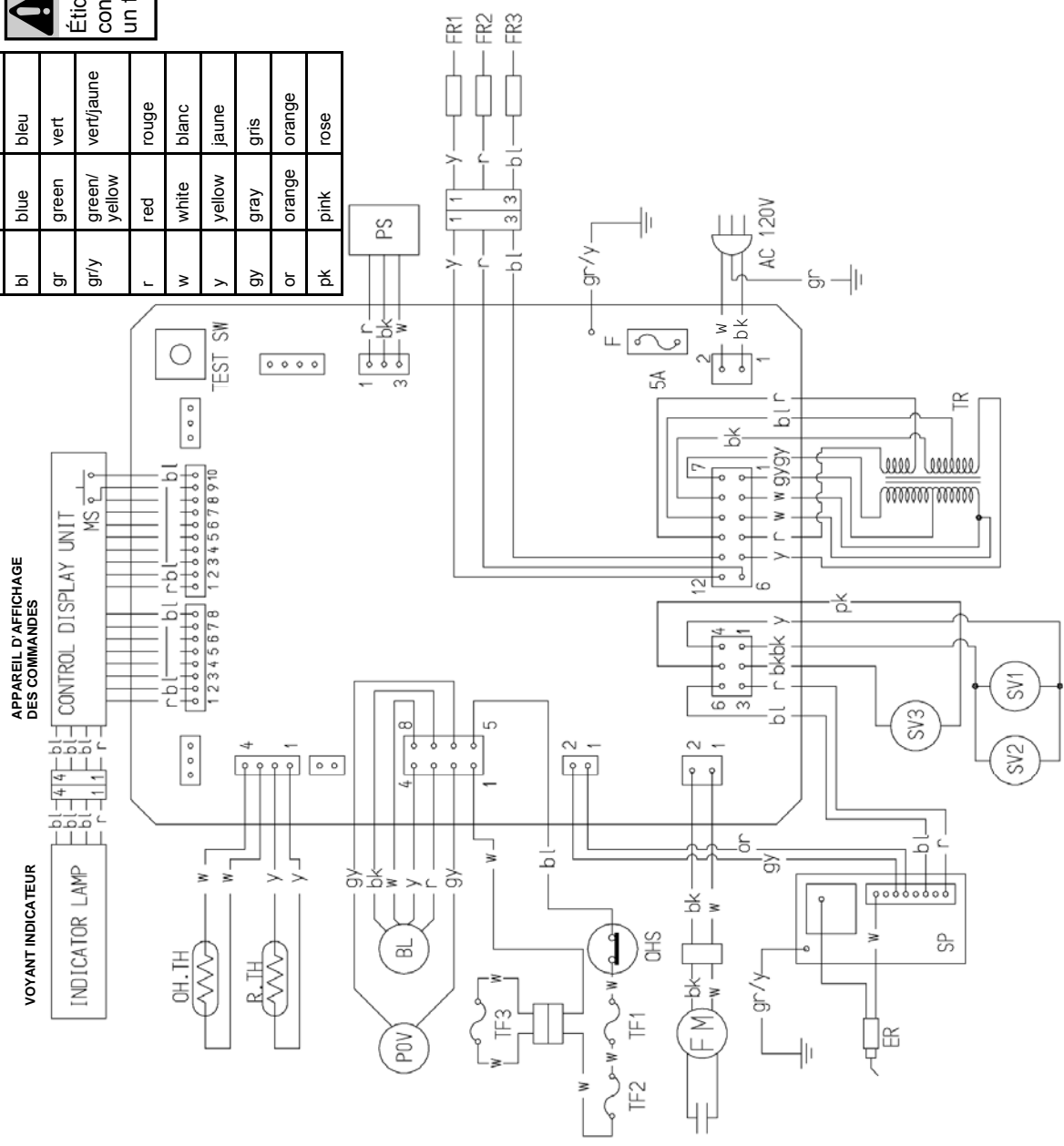
If any of the original wire as supplied with the appliance must be replaced, it must be replaced with type 18 AWG wire or its equivalent.

CAUTION
Label all wires prior to disconnection when servicing controls. Wiring errors can cause improper and dangerous operation.

ATTENTION
Étiquetez tous les fils avant les interventions de contrôle. Des erreurs de câblage peuvent causer un fonctionnement incorrect et dangereux.

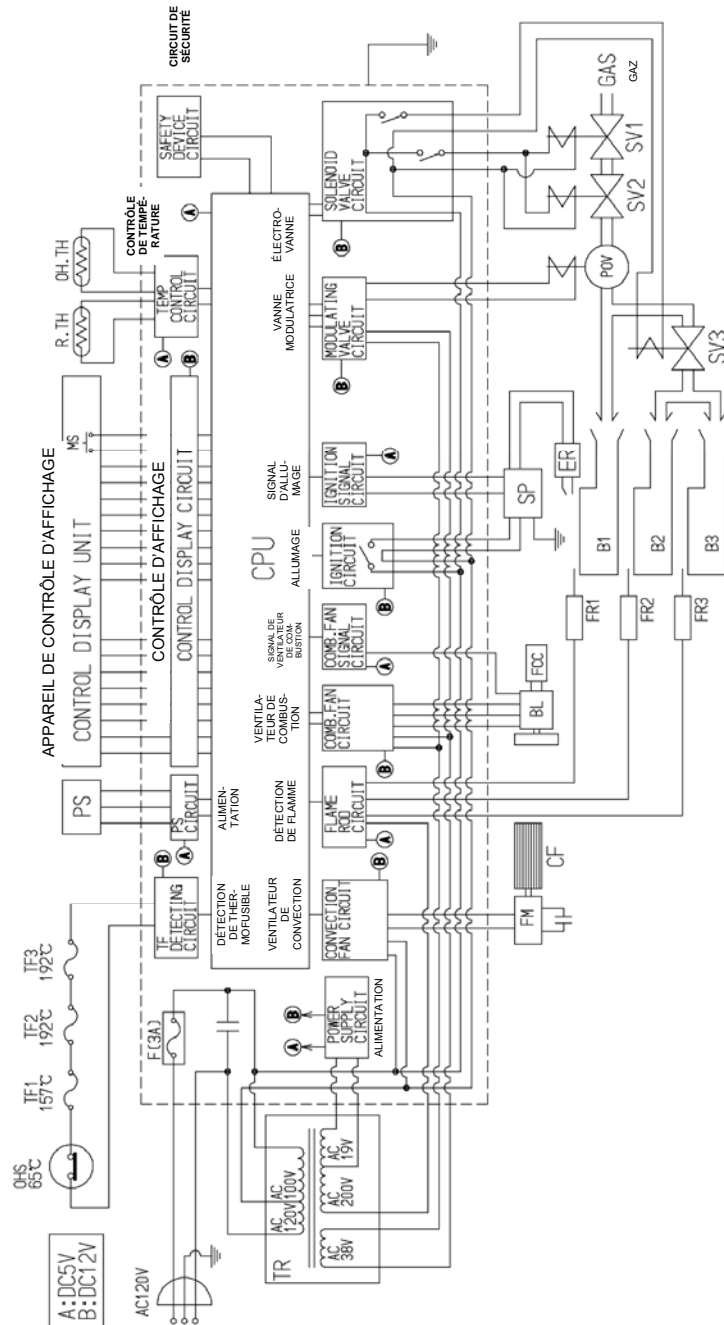
CODE	COLOR	COULEUR
bk	black	noir
bl	blue	bleu
gr	green	vert
gr/y	green/yellow	vert/jaune
r	red	rouge
w	white	blanc
y	yellow	jaune
gy	gray	gris
or	orange	orange
pk	pink	rose

MARK	PART	PIÈCE
MS	MAIN SWITCH	INTERRUPTEUR PRINCIPAL
R:TH	THERMISTOR	THERMISTANCE
TF1~3	THERMAL FUSE 1~3	FUSIBLE THERMIQUE 1~3
F	FUSE	FUSIBLE
ER	ELECTRODE	ÉLECTRODE
POV	MODULATING VALVE	VANNE MODULATRICE
TR	TRANSFORMER	TRANSFORMATEUR
FR1~3	FLAME ROD 1~3	ÉLECTRODE DE DÉTECTION DE FLAMME 1~3
OH:TH	OVERHEAT THERMISTOR	THERMISTANCE DE SURCHAUFFE
OHS	OVERHEAT SWITCH	INTERRUPTEUR DE SURCHAUFFE
FM	CONVECTION FAN MOTOR	MOTEUR DE VENTILATEUR DE CONVECTION
SP	SPARKER	ÉCLATEUR
SV1~3	SOLENOID VALVE 1~3	ÉLECTROVANNE 1~3
BL	COMBUSTION FAN MOTOR	MOTEUR DE VENTILATEUR DE COMBUSTION
PS	PRESSURE SENSOR	DÉTECTEUR DE PRESSION



Ladder Diagram / Diagramme logique

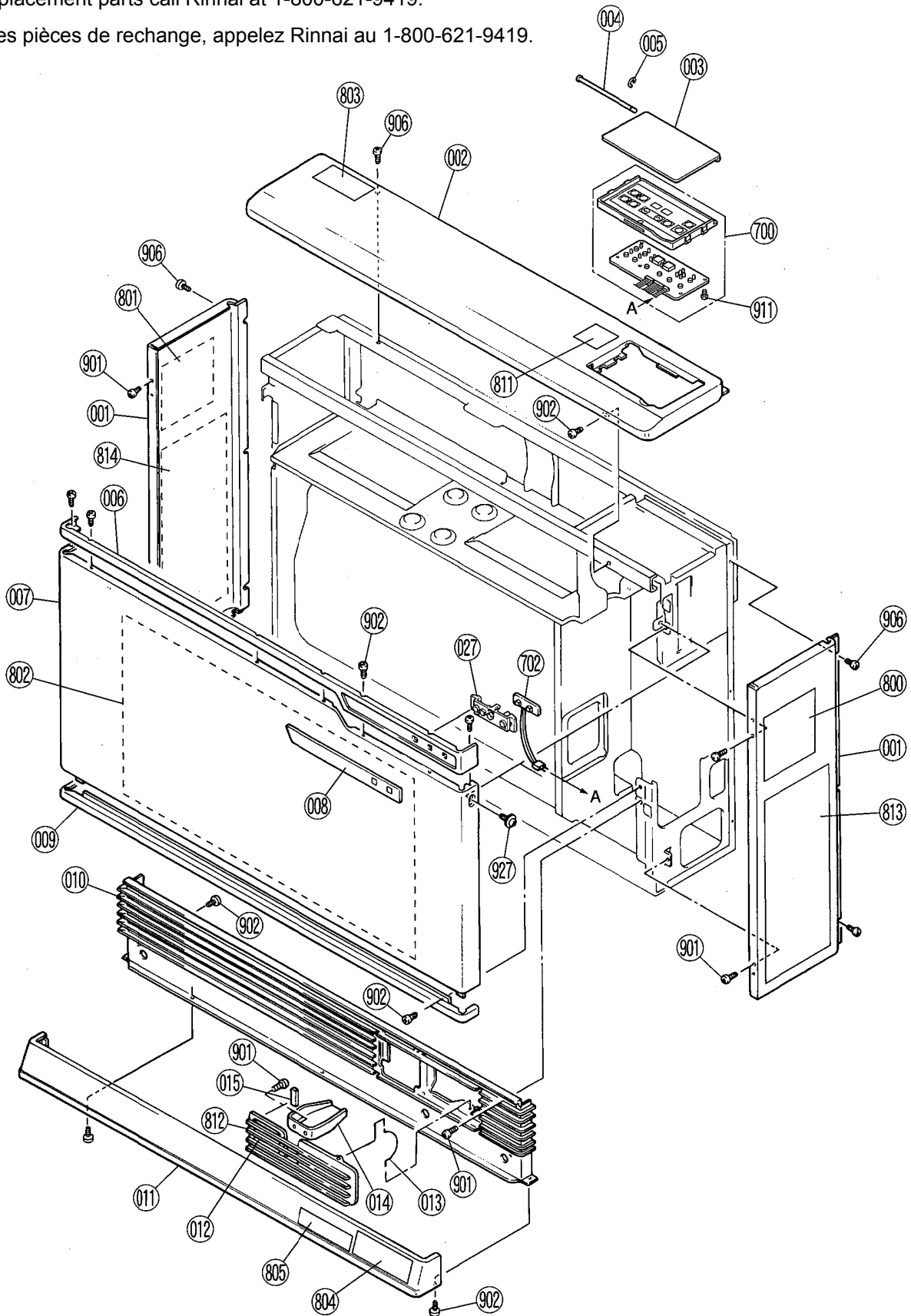
MARK	PART	PIÈCE
MS	MAIN SWITCH	INTERRUPTEUR PRINCIPAL
R.TH	THERMISTOR	THERMISTANCE
TF1~3	THERMAL FUSE 1~3	FUSIBLE THERMIQUE 1~3
F	FUSE	FUSIBLE
ER	ELECTRODE	ÉLECTRODE
POV	MODULATING VALVE	VANNE MODULATRICE
TR	TRANSFORMER	TRANSFORMATEUR
FR1~3	FLAME ROD 1~3	ÉLECTRODE DE DÉTECTION DE FLAMME 1~3
OH.TH	OVERHEAT THERMISTOR	THERMISTANCE DE SURCHAUFFE
OHS	OVERHEAT SWITCH	INTERRUPTEUR DE SURCHAUFFE
FM	CONVECTION FAN MOTOR	MOTEUR DE VENTILATEUR DE CONVECTION
SP	SPARKER	ÉCLATEUR
SV1~3	SOLENOID VALVE 1~3	ÉLECTROVANNE 1~3
BL	COMBUSTION FAN MOTOR	MOTEUR DE VENTILATEUR DE COMBUSTION
PS	PRESSURE SENSOR	DÉTECTEUR DE PRESSION
CF	CONVECTION FAN	VENTILATEUR DE CONVECTION
FCC	FAN CONTROL CIRCUIT	CIRCUIT DE COMMANDE DE VENTILATION
CPU	CENTRAL PROCESSING UNIT	UNITÉ CENTRALE DE TRAITEMENT
B1~3	BURNER 1~3	BRÛLEUR



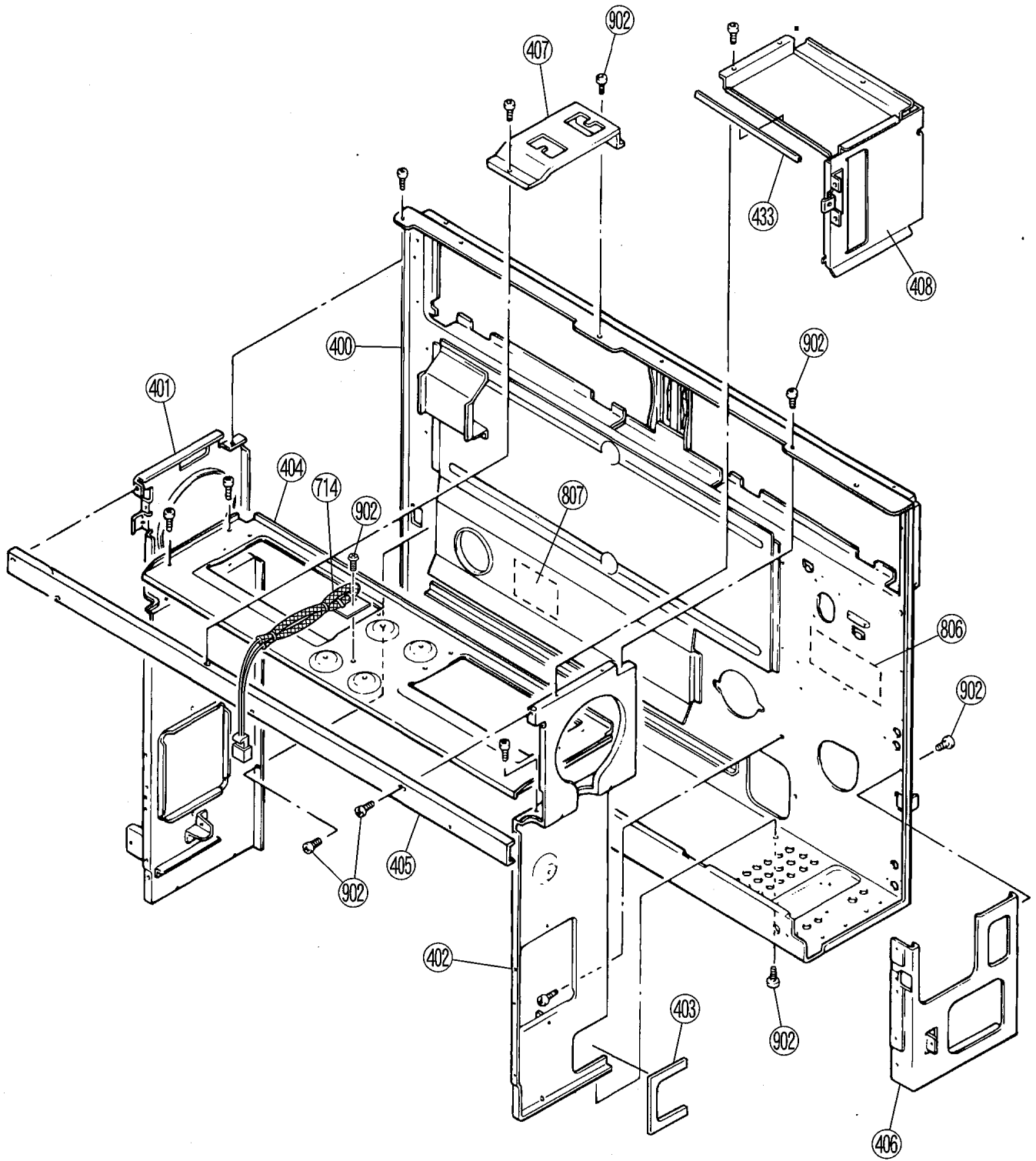
Parts List / Liste de pièces

For replacement parts call Rinnai at 1-800-621-9419.

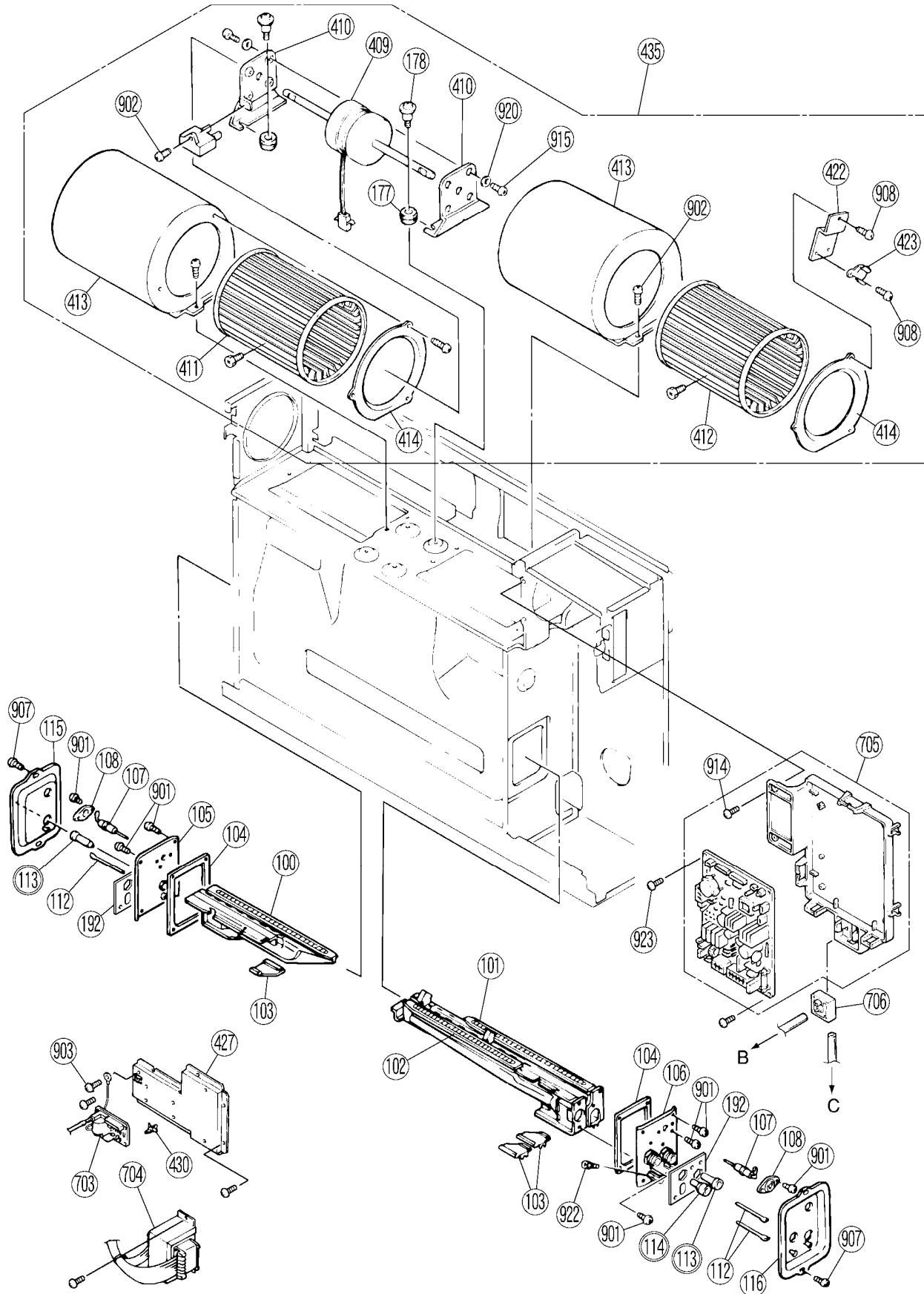
Pour les pièces de rechange, appelez Rinnai au 1-800-621-9419.

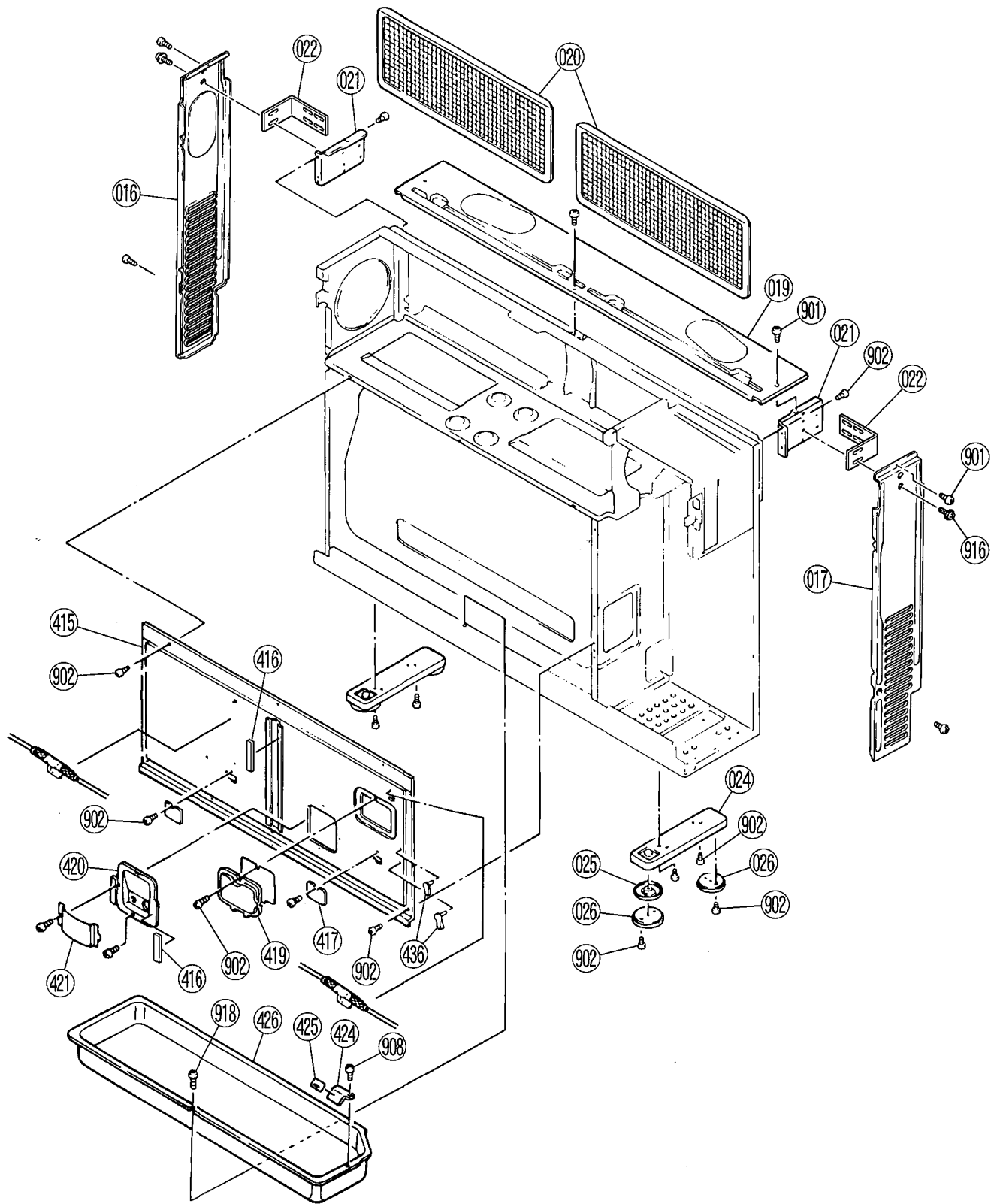


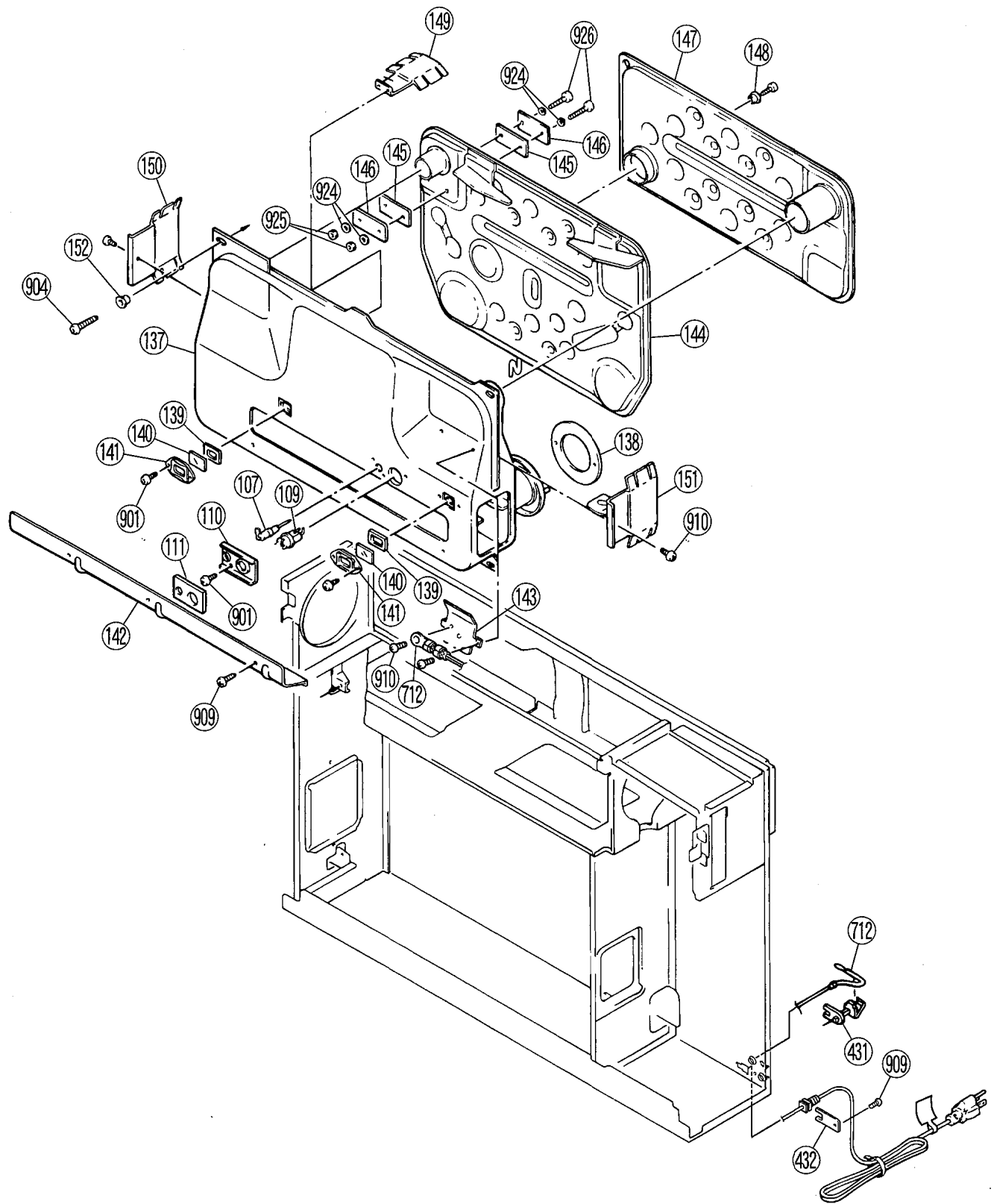
Parts List / Liste de pièces



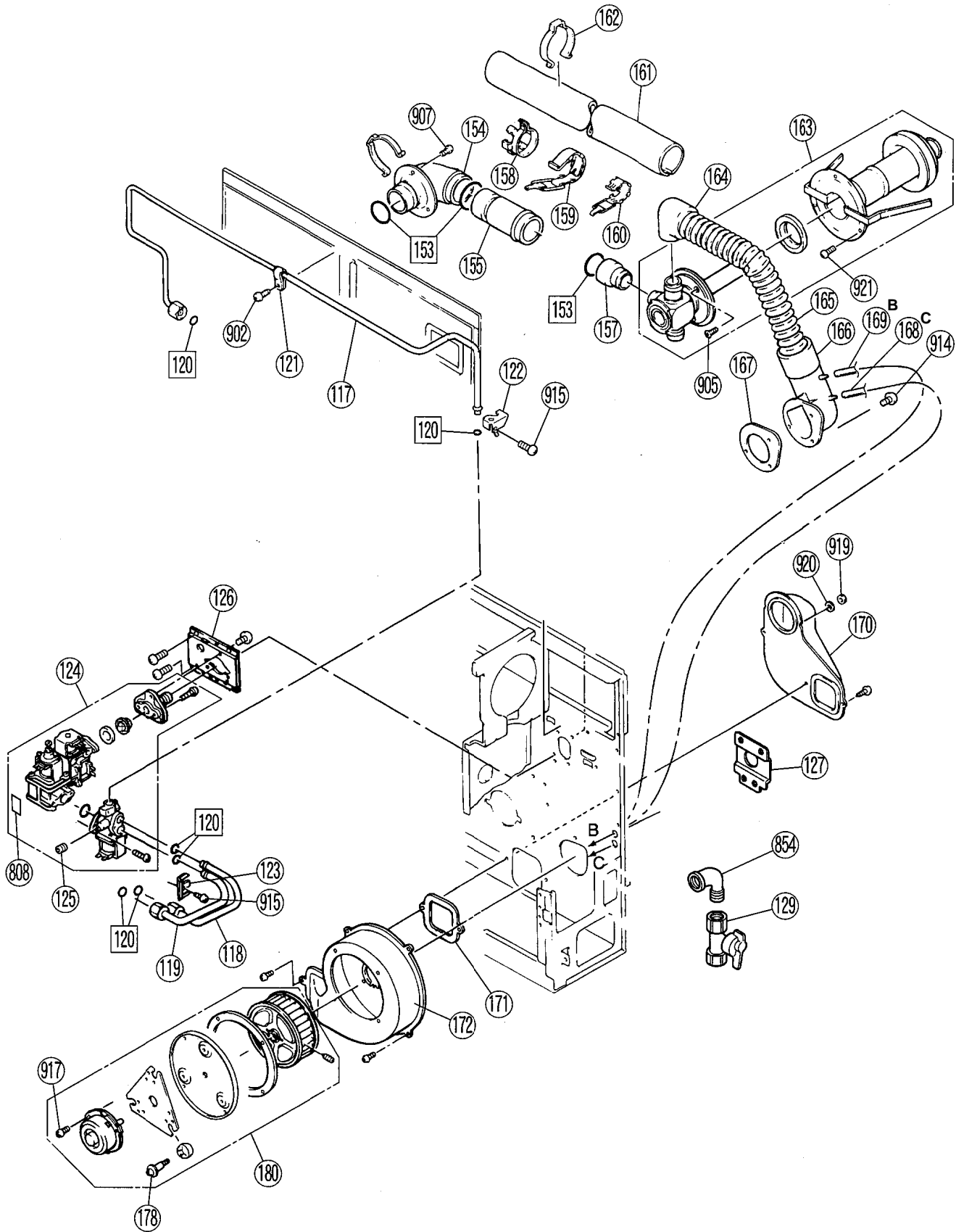
Parts List / Liste de pièces

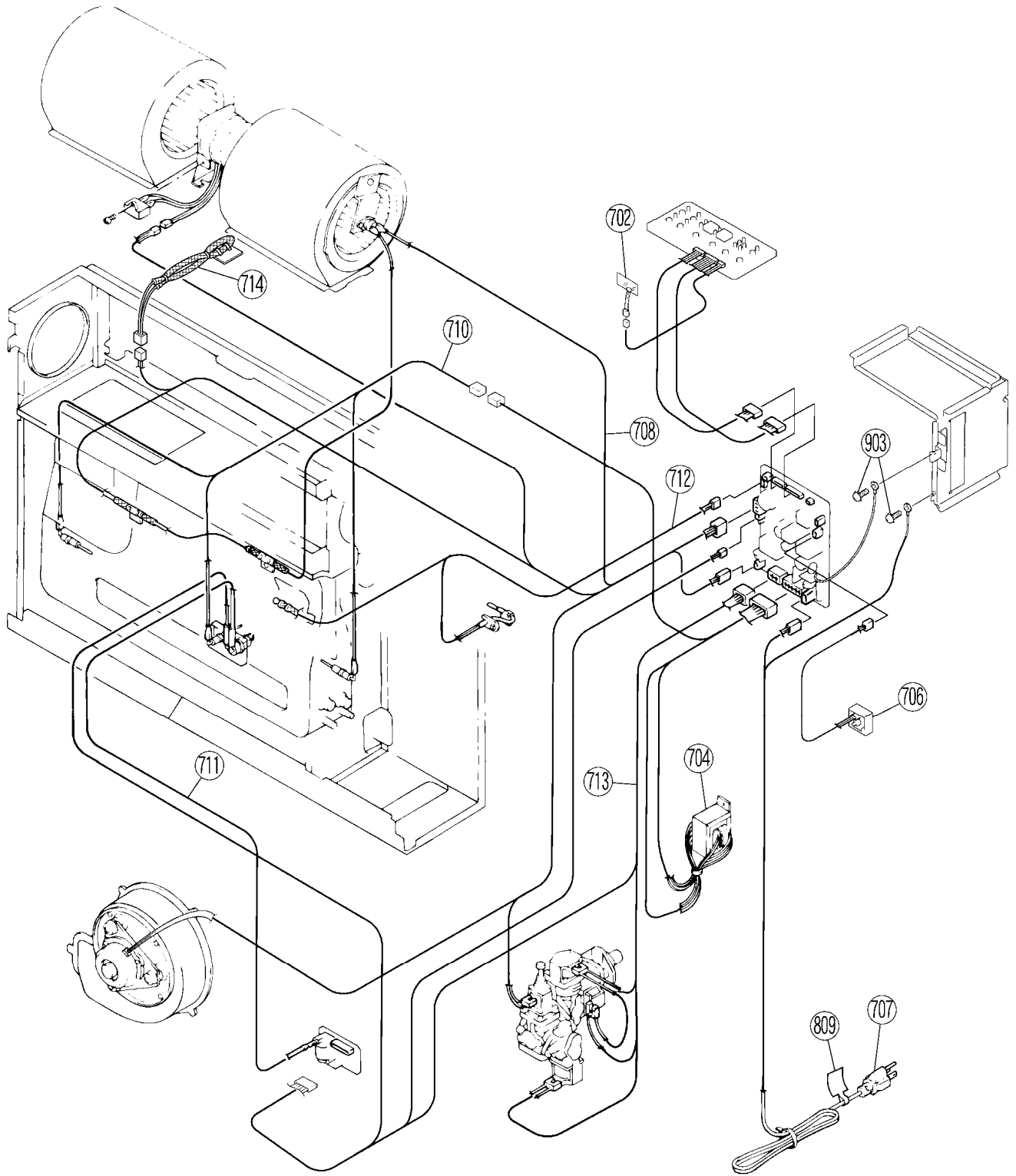






Parts List / Liste de pièces





Parts List / Liste de pièces

NO.	NAME	NOM	Part Number (Numéro de la Pièce)	QTY	
				1004FTA Beige	1004FTA-W White
001	SIDE PANEL I	PANNEAU LATÉRAL	1001F-073-9	2	
	SIDE PANEL D	PANNEAU LATÉRAL D	1001F-073-4		2
002	TOP PLATE F	PLAQUE SUPÉRIEURE	1004F-2071-6	1	
	TOP PLATE C	PLAQUE SUPÉRIEURE C	1004F-2071-3		1
003	OPERATION LID J	COUVERCLE D'OPÉRATION B	1004F-2073-10	1	
	OPERATION LID F	COUVERCLE D'OPÉRATION F	1004F-2073-6		1
004	FULCRUM	PIVOT	556F-558-2	1	1
005	STOPPER	ARRÊT	ZUAA02SZ	1	1
006	DECORATION PANEL ASS'Y C	PANNEAU DÉCORATIF C	1001F-1514-2	1	
	DECORATION PANEL ASS'Y D	PANNEAU DÉCORATIF D	1001F-1514-3		1
007	FRONT PANEL ASS'Y I	PANNEAU AVANT B	1001F-160-9	1	
	FRONT PANEL ASS'Y E	PANNEAU AVANT E	1001F-160-5		1
008	ESCUTCHEON PANEL	PANNEAU D'ÉCUSSON	RHFE1004-0115	1	
	ESCUTCHEON PANEL B	PANNEAU D'ÉCUSSON B	RHFE1004-0116		1
009	LOUVER SUPPORT TRIM B	GARNITURE SUPPORT DE PERSIENNES B	1001F-084-2	1	
	LOUVER SUPPORT TRIM C	GARNITURE SUPPORT DE PERSIENNES C	1001F-084-3		1
010	LOUVER ASS'Y B	PERSIENNES B	1001F-163-2	1	
	LOUVER ASS'Y	PERSIENNES	1001F-1323		1
011	BOTTOM TRIM ASS'Y G	GARNITURE INFÉRIEURE	1001F-162-7	1	
	BOTTOM TRIM ASS'Y D	GARNITURE INFÉRIEURE D	1001F-162-4		1
012	FILLER ASS'Y D	REMP LISSEUR D	1001F-164-4	1	
	FILLER ASS'Y	REMP LISSEUR	1001F-1322		1
013	LOUVER DOOR HINGES	CHARNIÈRES DE PORTE À PERSIENNES	1001F-078	1	1
014	FILLER	REMP LISSEUR	551F-015	1	1
015	MAGNET	AIMANT	RHF300-185-1	1	1
016	BACK SPACER LEFT A	CALE D'ESPACEMENT ARRIÈRE GAUCHE A	1001F-1410-2	1	
	BACK SPACER LEFT E	CALE D'ESPACEMENT ARRIÈRE GAUCHE E	1001F-1410-9		1
017	BACK SPACER B RIGHT D	CALE D'ESPACEMENT ARRIÈRE DROITE A	1001F-1411-4	1	
	BACK SPACER B RIGHT E	CALE D'ESPACEMENT ARRIÈRE DROITE B	1001F-1411-5		1
019	BACK SPACER UPPER ASS'Y J	COUVERCLE D'OPÉRATION D	1001F-165-10	1	
	BACK SPACER UPPER ASS'Y M	COUVERCLE D'OPÉRATION H	1001F-165-13		1
020	AIR FILTER ASS'Y	FILTRE À AIR	1004F-228	2	2
021	BACK SPACER SUPPORT	SUPPORT DE CALE D'ESPACEMENT ARRIÈRE	1001F-092	2	2
022	WALL BRACKET B	SUPPORT MURAL B	1004F-825	2	2
024	LEG ASS'Y	ENSEMBLE DE PIEDS	1001F-157	2	2
025	RUBBER BRACKET ASS'Y	SUPPORT CAOUTCHOUC	550F-0220	2	2
026	BASE SUPPORT RUBBER	SUPPORT DE BASE CAOUTCHOUC	550F-0225	4	4
027	LAMP HOUSE	LOGEMENT DE LAMPE	1004F-2111	1	1
100	HIGH BURNER LEFT ASS'Y C	BRÛLEUR PLEIN FEU GAUCHE C	1001F-150-3	1	1
101	HIGH BURNER RIGHT ASS'Y C	BRÛLEUR PLEIN FEU DROITE C	1001F-144-3	1	1
102	LOW BURNER ASS'Y C	BRÛLEUR PETIT FEU C	1001F-147-3	1	1
103	DAMPER PANEL	PANNEAU AMORTISSEUR	RHF250-075	2	2
104	BURNER BRACKET PACKING	GARNITURE DE SUPPORT DE BRÛLEUR	1001F-049	2	2
105	BURNER BRACKET LEFT ASS'Y	SUPPORT DE BRÛLEUR GAUCHE	1004F-2022	1	1
106	BURNER BRACKET RIGHT ASS'Y	SUPPORT DE BRÛLEUR DROIT	1004F-2020	1	1
107	FLAME ROD	TIGE DE FLAMME	1001F-104-2	1	1
108	ELECTRODE CLIP	COLLIER D'ÉLECTRODE	RHF250-038	3	3
109	ELECTRODE	ÉLECTRODE	1001F-216	2	2
110	ELECTRODE BRACKET	SUPPORT D'ÉLECTRODE	1001F-168	1	1
111	ELECTRODE SEAL PACKING	JOINT D'ÉLECTRODE	1001F-175	1	1
112	AIR SHUTTER ADJUSTMENT	RÉGLAGE D'OUVERTURE D'AIR	RHF250-076	3	3
113	MAIN INJECTOR	INJECTEUR PRINCIPAL	1004F-2031	2	2
114	MAIN INJECTOR	INJECTEUR PRINCIPAL	1004F-2036	1	1

Parts List / Liste de pièces

NO.	NAME	NOM	Part Number (Numéro de la Pièce)	QTY	
				1004FTA Beige	1004FA-W White
115	BURNER SHIELD LEFT	ÉCRAN DE BRÛLEUR GAUCHE	1001F-042	1	1
116	BURNER SHIELD RIGHT	ÉCRAN DE BRÛLEUR DROIT	1001F-041	1	1
117	INTERCONNECTION C ASS'Y	INTERCONNEXION C	1004F-2066	1	1
118	INTERCONNECTION B ASS'Y	INTERCONNEXION B	1004F-2065	1	1
119	INTERCONNECTION A ASS'Y	INTERCONNEXION A	1004F-2064	1	1
120	O-RING	JOINT TORIQUE	M10B-4-8	6	6
121	INTERCONNECTION CLIP	CLIP D'INTERCONNEXION	1001F-101-2	1	1
122	INTERCONNECTION BRACKET	SUPPORT D'INTERCONNEXION	CP-30488	1	1
123	INTERCONNECTION BRACKET	SUPPORT D'INTERCONNEXION	1004F-2030	1	1
124	GAS CONTROL ASS'Y A	COMMANDE DE GAZ A	RHFE1004-0130	1	1
126	VALVE BRACKET B	SUPPORT DE VANNE B	1001F-008-2	1	1
127	REVOLVING STOPPER D	ARRÊT TOURNANT D	1001F-228	1	1
129	ON/OFF VALVE ASSEMBLY	ROBINET MANUEL	BRR37-244	1	1
137	MAIN HEAT EXCHANGER ASS'Y B	ÉCHANGEUR THERMIQUE PRINCIPAL B	1001F-138-2	1	1
138	INLET FLANGE PACKING	JOINT DE GARNITURE	RHF1000-167	1	1
139	GLASS WINDOW PACKING	JOINT DE FENÊTRE EN VERRE	300FT-14	2	2
140	VIEWING GLASS	VERRE DE HUBLLOT	300FT-15	2	2
141	GLASS CLIP	CLIP DE VITRE	1004F-2013	2	2
142	BLANKING PANEL	PANNEAU D'OBSTRUCTION	1001F-115	1	1
143	OT.TH BRACKET	SUPPORT THERMISTANCE DE SURCHAUFFE	1004F-2048	1	1
144	SUB HEAT EXCHANGER No.1 ASS'Y B	SOUS ÉCHANGEUR THERMIQUE N°1 B	1001F-142-2	1	1
147	SUB HEAT EXCHANGER No.2 ASS'Y	SOUS ÉCHANGEUR THERMIQUE N° 2	1001F-143	1	1
148	SPACER	CALE D'ESPACEMENT	1001F-169	1	1
149	SUB HEAT EXCHANGER CLIP A	CLIP DE SOUS ÉCHANGEUR THERMIQUE A	1001F-021-1	1	1
150	SUB HEAT EXCHANGER CLIP LEFT	CLIP DE SOUS ÉCHANGEUR THERMIQUE—GAUCHE	1001F-021-3	1	1
151	SUB HEAT EXCHANGER B ASS'Y	SOUS ÉCHANGEUR THERMIQUE B	1001F-183	1	1
152	HEAT EXCHANGER BRACKET SLIP	SUPPORT COULISSANT D'ÉCHANGEUR THERMIQUE	RHF1000-174	2	2
153	O-RING	JOINT TORIQUE	M10B-4-49	3	3
154	EXHAUST ELBOW ASS'Y	COUDE D'ÉVACUATION	1001F-131	1	1
155	SLIDE PIPE B	TUYAU COULISSANT B	1001F-132-2	1	1
157	EXHAUST ADAPTOR B ASS'Y	ADAPTATEUR D'ÉVACUATION B	1004F-530	1	1
158	SLIDE PIPE STOPPER	ARRÊT DE TUYAU COULISSANT	1004F-401	1	1
159	EXHAUST PIPE STOPPER ASS'Y	ARRÊT DE TUYAU	1001F-250	1	1
160	EXHAUST PIPE STOPPER S ASS'Y	ARRÊT DE TUYAU S	1001F-1730	1	1
161	COVER	COUVERCLE	1001F-111	1	1
162	ELBOW COVER STOPPER	ARRÊT DE COUVERTURE DE COUDE	RHF1000-145	1	1
163	FLUE ASS'Y	CHEMINÉE	431F-1900	1	1
164	AIR INTAKE ELBOW	COUDE D'ADMISSION	RHF1000-132	1	1
165	AIR INTAKE FLEXIBLE HOSE	TUYAU FLEXIBLE D'ADMISSION D'AIR	RHF1000-130-d	1	1
166	AIR INLET	ADMISSION D'AIR	1004F-2032-1	1	1
167	AIR INLET PACKING	JOINT D'ADMISSION D'AIR	1004F-2033	1	1
168	SENSING TUBE A	TUBE DE DÉTECTION A	1004F-2052-1	1	1
169	SENSING TUBE B	TUBE DE DÉTECTION B	1004F-2052-2	1	1
170	AIR INTAKE DUCT B	CONDUITE D'ADMISSION D'AIR B	1001F-158-2	1	1
171	SEAL PACKING	GARNITURE D'ÉTANCHÉITÉ	1001F-053	1	1
172	COMBUSTION FAN CASING	CARTER DE VENTILATEUR DE COMBUSTION	1001F-153-2	1	1
177	CUSHION RUBBER	COUSINET EN CAOUTCHOUT	308F-8273	7	7
178	SCREW FOR MOTOR	VIS POUR MOTEUR	CP-30310	7	7

Parts List / Liste de pieces

NO.	NAME	NOM	Part Number (Numéro de la Pièce)	QTY	
				1004FTA Beige	1004FA-W White
180	COMBUSTION FAN TOTAL ASS'Y	ENSEMBLE DE VENTILATEUR DE COMBUSTION	1004F-2082	1	1
192	BUSH RE-INFORCED BOARD	PLAQUE RENFORCÉE BUSH	1004F-2088	2	2
400	REAR PANEL ASS'Y	PANNEAU ARRIÈRE	1001F-186-1	1	1
401	FRAME LEFT ASS'Y	CADRE GAUCHE	1001F-154	1	1
402	FRAME RIGHT ASS'Y	CADRE DROIT	1001F-156	1	1
403	WARM AIR SEAL PACKING	JOINT D'AIR CHAUD	1001F-112	1	1
404	CONVECTION FAN SUPPORT B	SUPPORT DE VENTILATEUR DE CONVECTION B	1001F-004-2	1	1
405	TOP PANEL SUPPORT	SUPPORT DE PANNEAU SUPÉRIEUR	1001F-066	1	1
406	FRAME CORNER	ANGLE DE CADRE	1001F-064	1	1
407	TOP PANEL REINFORCEMENT	RENFORT DE PANNEAU SUPÉRIEUR	1001F-110	1	1
408	FRAME CORNER ASS'Y	ANGLE DE CADRE	1004F-2006	1	1
409	CONVECTION MOTOR	MOTEUR DE CONVECTION	ES-02051	1	1
410	CONVECTION MOTOR BRACKET	SUPPORT DE MOTEUR DE CONVECTION	550F-0903	2	2
411	CONVECTION FAN A	VENTILATEUR DE CONVECTION A	1004F-308-1	1	1
412	CONVECTION FAN B	VENTILATEUR DE CONVECTION B	1004F-308-2	1	1
413	FAN CASING ASS'Y	CARTER DE VENTILATEUR	1001F-152	2	2
414	BELL MOUTH	BOUCHE ÉVASÉE	RHF1000-89	2	2
415	HEAT SHIELD BOARD B ASS'Y	CARTE ÉCRAN THERMIQUE B	1001F-159-2	1	1
416	SEAL PACKING	JOINT D'ÉTANCHÉITÉ	RC-223-21-1	2	2
417	VIEWING WINDOW PANEL	PANNEAU DE HUBLLOT	1001F-137	2	2
419	O.H.S. PROTECTOR	PROTECTEUR D'INTERRUPTEUR DE SURCHAUFFE	302F-0506	1	1
420	ELECTRODE VIEWING PANEL	PANNEAU DE VUE D'ÉLECTRODE	1001F-062	1	1
421	ELECTRODE COVER	CACHE ÉLECTRODE	1001F-070	1	1
422	O.H.S. BRACKET	SUPPORT D'INTERRUPTEUR DE SURCHAUFFE	1001F-217	2	2
423	OVERHEAT SWITCH	INTERRUPTEUR DE SURCHAUFFE	ES-01131	1	1
424	WATER LEVEL INDICATOR	INDICATEUR DE NIVEAU D'EAU	1001F-172	1	1
425	WATER LEVEL LABEL	ÉTIQUETTE DE NIVEAU D'EAU	550F-1418	1	1
426	HUMIDIFIER TRAY	BAC D'HUMIDIFICATEUR	1001F-037	1	1
427	TRANSFORMER BRACKET	SUPPORT DE TRANSFORMATEUR	1004F-2016	1	1
430	P.C.B. SUPPORT	SUPPORT DE CARTE DE CIRCUIT IMPRIMÉ	CP-90436-3	4	4
431	THERMISTOR HOLDER	SUPPORT DE THERMISTANCE	RC-312-628	1	1
432	POWER SUPPLY CABLE BRACKET	SUPPORT DE CÂBLE D'ALIMENTATION	RC-329-1033	1	1
433	EDGE	LISIÈRE	1004F-2009	1	1
435	CONVECTION FAN TOTAL ASS'Y	SOUS ENSEMBLE MOTEUR DE CONVECTION	1004F-2085	1	1
436	SPEED CLIP	SPEED CLIP™	CP-90077-1	2	2
700	OPERATION P.C.B ASS'Y	CARTE DE CIRCUIT IMPRIMÉ D'OPÉRATION F	205000055	1	1
702	INDICATOR ASS'Y	INDICATEUR	1004F-2078	1	1
703	IGNITOR ASS'Y	ALLUMEUR	EI-161	1	1
704	TRANSFORMER	TRANSFORMATEUR	ET-251	1	1
705	MAIN P.C.B. TOTAL ASS'Y	CARTE DE CIRCUIT IMPRIMÉ PRINCIPALE	205000056	1	1
706	PRESSURE SENSOR	DÉTECTEUR DE PRESSION	R558F-1033-1	1	1
707	POWER SUPPLY CABLE ASS'Y	CÂBLE D'ALIMENTATION SECTEUR	CP-90466-3	1	1
708	MOTOR LEAD ASS'Y B	TORON DE MOTEUR B	1004F-2054	1	1
710	FR LEAD ASS'Y	TORON D'ALLUMAGE	1004F-2059	1	1
711	HIGH TENSION CORD ASS'Y	CORDON HAUTE TENSION	1001F-1667-3	1	1
712	THERMISTOR LEAD ASS'Y	TORON DE THERMISTANCE	1004F-2057	1	1
713	SV.IG LEAD ASS'Y	TORON D'ALLUMEUR	1004F-2058	1	1
714	TF LEAD ASS'Y	TORON DE TRANSFORMATEUR	1004F-2061	1	1
800	RATING PLATE	PLAQUE SIGNALÉTIQUE	CP-74167-37	1	1

Parts List / Liste de pièces

NO.	NAME	NOM	Part Number (Numéro de la Pièce)	QTY	
				1004FTA Beige	1004FA-W White
800	RATING PLATE	PLAQUE SIGNALÉTIQUE	CP-74167-38	1	1
801	RATING PLATE	PLAQUE SIGNALÉTIQUE	CP-74167-37	1	1
801	RATING PLATE	PLAQUE SIGNALÉTIQUE	CP-74168-38	1	1
802	OPERATION LABEL	ÉTIQUETTE D'OPÉRATION	200000063	1	1
803	FILTER LABEL	ÉTIQUETTE DE FILTRE	1001F-1651	1	1
804	CAUTION LABEL	ÉTIQUETTE DE MISE EN GARDE	556F-2065	1	1
805	CAUTION MARK	MARQUAGE DE MISE EN GARDE	1001F-1656	1	1
806	PROPANE STICKER	ÉTIQUETTE DE PROPANE	431F-1840	1	1
806	NG STICKER	ÉTIQUETTE DE GAZ NATUREL	431F-1841	1	1
807	EXHAUST CAUTION LABEL	ÉTIQUETTE DE DANGER À L'ÉVACUATION	1001F-1654	1	1
808	SPEC MARK	MARQUAGE DE SPÉCIFICATIONS	CP-72062B-2	1	1
809	POWER SUPPLY CABLE LABEL	ÉTIQUETTE DE CÂBLE D'ALIMENTATION	431F-1860	1	1
811	EXHAUST CAUTION LABEL	ÉTIQUETTE DE DANGER À L'ÉVACUATION	431F-1830	1	1
812	PULL LABEL	ÉTIQUETTE TIRER	CP-71747-2	1	1
813	RATING PLATE SUPPORT LABEL	ÉTIQUETTE DE SUPPORT DE PLAQUE SIGNALÉTIQUE	CP-74177-10	1	1
814	RATING PLATE SUPPORT LABEL	ÉTIQUETTE DE SUPPORT DE PLAQUE SIGNALÉTIQUE	CP-74178-10	1	1
850	OWNER'S OPERATION AND INSTALLATION MANUAL	MANUEL DU PROPRIÉTAIRE	RHFE1004-0328	1	1
853	CONVERSION KIT (TO NG)	JEU DE CONVERSION (VERS GAZ NATUREL)	204000026	NOT INCLUDED	
853	CONVERSION KIT (TO LPG)	JEU DE CONVERSION (VERS GAZ PROPANE)	204000027	NOT INCLUDED	
854	MALE - FEMALE ELBOW	COUDE HOMMES—FEMMES	CP-30324	1	1
901	SCREW	VIS	ZBA0408SC		
902	SCREW	VIS	ZBA0408SZ		
903	SCREW	VIS	CP-30421-1		
904	SCREW	VIS	ZBA0412SZ		
905	SCREW	VIS	ZBB0410SC		
906	SCREW	VIS	ZBD0408SC		
907	SCREW	VIS	ZBD0408SZ		
908	SCREW	VIS	ZEAB0408SZ		
909	SCREW	VIS	ZEAB0408SB		
910	SCREW	VIS	ZEAB0408SC		
911	SCREW	VIS	ZGAA0308SZ		
912	SCREW	VIS	ZAA0506SZ		
913	SCREW	VIS	ZAA0420SZ		
914	SCREW	VIS	ZEDB0408SZ		
915	SCREW	VIS	ZHAA0408SZ		
916	SCREW	VIS	ZHAD0510SC		
917	SCREW	VIS	ZDAA0410SZ		
918	SCREW	VIS	ZIAD0408SZ		
919	NUT	ÉCROU	ZRAB04SZ		
920	WASHER	RONDELLE	ZSCA04SZ		
921	SCREW	VIS	CP-30408		
922	SCREW	VIS	ZAA0306SZ		
923	SCREW	VIS	CP-30486-2		
924	WASHER	RONDELLE	ZSCA04SC		
925	NUT	ÉCROU	ZRAA04SC		
926	SCREW	VIS	ZAA0440UK		
927	SCREW	VIS	ZIAD0410SC		

Consumer Support

Warranty Information

The installer is responsible for your heater's correct installation.

Please complete the information below to keep for your records:

Purchased from: _____

Address: _____ Phone: _____

Date of Purchase: _____

Model No.: _____

Serial No.: _____

Installed by: _____ Installer's License No.: _____

Address: _____ Phone: _____

Date of Installation: _____

Limited Warranty

Gas Direct Vent Wall Furnace

What is covered?

This Warranty covers any defects in materials or workmanship, subject to the terms stated below. This Warranty extends to the original purchaser and subsequent transferees, but only while the product remains at the site of the original installation. This Warranty only extends through the first installation of the product and terminates if the product is moved or reinstalled at a new location.

How long does coverage last?

Item	Period of Coverage
Heat Exchanger	10 years from date of purchase
All Other Parts	5 years from date of purchase
Reasonable Labor	2 years from date of purchase

What will Rinnai do?

Rinnai will repair or replace the covered product or any part or component that is defective in materials or workmanship as set forth. Rinnai will pay reasonable labor charges associated with the repair or replacement of any such part or component. All repair parts must be genuine Rinnai parts. All repairs or replacements must be performed by an individual or servicing company that is properly trained, state qualified or licensed to do the type of repair.

Limited Warranty - continued

Replacement of the product may be authorized by Rinnai only. Rinnai does not authorize any person or company to assume for it any obligation or liability in connection with the replacement of the product. If Rinnai determines that repair of a product is not possible, Rinnai will replace the product with a comparable product at Rinnai's discretion. If a component or product returned to Rinnai is found to be free of defects in material or workmanship, or damaged by improper installation or damaged during return shipping, the warranty claim for product, parts and labor may be denied.

How do I get service?

You must contact a state qualified/licensed contractor or authorized service provider for the repair of a product under this Warranty. For the name of a qualified/authorized service provider please contact your place of purchase, visit the Rinnai website (www.rinnai.us), call Rinnai at 1-800-621-9419 or write to Rinnai at 103 International Drive, Peachtree City, Georgia 30269.

Proof of purchase is required to obtain warranty service. You may show proof of purchase with a dated sales receipt, or by registering within 30 days of purchasing the product. To register your appliance, please visit www.rinnairegistration.com. For those without internet access, please call 1-866-RINNAI1 (745-6241). Receipt of Registration by Rinnai will constitute proof-of-purchase for this product. However, Registration is not necessary in order to validate this Warranty.

What is not covered?

This Warranty does not cover any failures or operating difficulties due to the following:

- accident, abuse, or misuse
- alteration
- misapplication
- force majeure
- improper installation (such as but not limited to, condensate damage, improper venting, incorrect gas type, or incorrect gas pressure)
- improper conversion (including conversions for inventory adjustment)
- improper maintenance (such as but not limited to vent blockage)
- incorrect sizing
- any other causes other than defects in materials or workmanship

This Warranty does not apply to any product whose serial number or manufacture date has been defaced.

Limitation on warranties

No one is authorized to make any other warranties on behalf of Rinnai America Corporation. Except as expressly provided herein, there are no other warranties, expressed or implied, including, but not limited to warranties of merchantability or fitness for a particular purpose, which extend beyond the description of the warranty herein and further Rinnai shall not be liable for indirect, incidental, special, consequential or other similar damages that may arise, including lost profits, damage to person or property, loss of use, inconvenience, or liability arising from improper installation, service or use. Some states do not allow the exclusion or limitation of incidental or consequential damages, so the above limitation may not apply to you.

Any implied warranties of merchantability and fitness arising under state law are limited in duration to the period of coverage provided by this limited Warranty, unless the period provided by state law is less. Some states do not allow limitations on how long an implied Warranty lasts, so the above limitation may not apply to you.

This Warranty gives you specific legal rights, and you may also have other rights which vary from state to state.

State Regulations

NOTICE BEFORE INSTALLATION

Rinnai direct-vent appliance must be installed by a state qualified or licensed contractor and a properly trained Rinnai Installer. If you are not properly trained, you must not install this unit.

IMPORTANT: In the State of Massachusetts (248 CMR 4.00 & 5.00)

For all side wall horizontally vented gas fueled equipment installed in every dwelling, building or structure used in whole or in part for residential purposes, including those owned or operated by the Commonwealth and where the side wall exhaust vent termination is less than seven (7) feet above finished grade in the area of the venting, including but not limited to decks and porches, the following requirements shall be satisfied:

1. **INSTALLATION OF CARBON MONOXIDE DETECTORS.** At the time of installation of the side wall horizontal vented gas fueled equipment, the installing plumber or gasfitter shall observe that a hard wired carbon monoxide detector with an alarm and battery back-up is installed on the floor level where the gas equipment is to be installed. In addition, the installing plumber or gasfitter shall observe that a battery operated or hard wired carbon monoxide detector with an alarm is installed on each additional level of the dwelling, building or structure served by the side wall horizontal vented gas fueled equipment. It shall be the responsibility of the property owner to secure the services of qualified licensed professionals for the installation of hard wired carbon monoxide detectors
 - a. In the event that the side wall horizontally vented gas fueled equipment is installed in a crawl space or an attic, the hard wired carbon monoxide detector with alarm and battery back-up may be installed on the next adjacent floor level.
 - b. In the event that the requirements of this subdivision can not be met at the time of completion of installation, the owner shall have a period of thirty (30) days to comply with the above requirements; provided, however, that during said thirty (30) day period, a battery operated carbon monoxide detector with an alarm shall be installed.
2. **APPROVED CARBON MONOXIDE DETECTORS.** Each carbon monoxide detector as required in accordance with the above provisions shall comply with NFPA 720 and be ANSI/UL 2034 listed and IAS certified.
3. **SIGNAGE.** A metal or plastic identification plate shall be permanently mounted to the exterior of the building at a minimum height of eight (8) feet above grade directly in line with the exhaust vent terminal for the horizontally vented gas fueled heating appliance or equipment. The sign shall read, in print size no less than one-half (1/2) inch in size, "**GAS VENT DIRECTLY BELOW. KEEP CLEAR OF ALL OBSTRUCTIONS**".
4. **INSPECTION.** The state or local gas inspector of the side wall horizontally vented gas fueled equipment shall not approve the installation unless, upon inspection, the inspector observes carbon monoxide detectors and signage installed in accordance with the provisions of 248 CMR 5.08(2)(a)1 through 4.

Manuel d'installation et d'utilisation pour le

ES38 (RHFE-1004FTA)

EnergySaver®

Appareil de chauffage mural à gaz à ventilation directe



Rinnai®

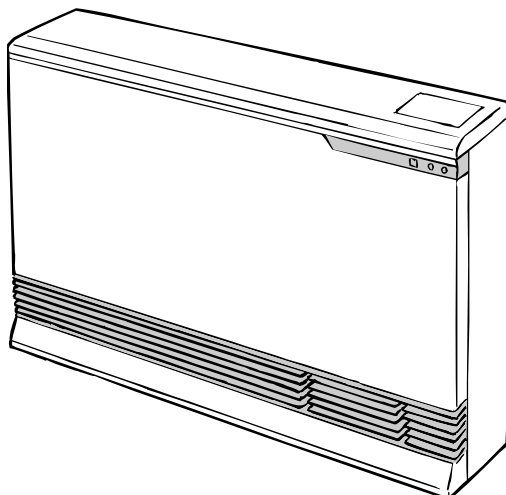


Table des matières	49
Sécurité du consommateur	50
Spécifications	51
Instructions d'utilisation	53
Instructions d'installation	62
Service à la clientèle	78

AVERTISSEMENT : Assurez-vous de bien suivre les instructions données dans ce manuel pour réduire au minimum le risque d'incendie ou d'explosion, ou pour éviter tout dommage matériel, toute blessure ou la mort.

- Ne pas entreposer ni utiliser d'essence ou d'autres vapeurs ou liquides inflammables à proximité de cet appareil ou de tout autre appareil.
- **QUE FAIRE SI VOUS SENTEZ UNE ODEUR DE GAZ :**
 - Ne pas tenter d'allumer d'appareil.
 - Ne toucher à aucun interrupteur ; ne pas vous servir des téléphones se trouvant dans le bâtiment.
 - Appeler immédiatement votre fournisseur de gaz depuis un voisin. Suivre les instructions du fournisseur.
 - Si on ne peut pas joindre le fournisseur, appeler le service des incendies.
- L'installation et l'entretien doivent être assurés par un installateur ou un service d'entretien qualifié ou par le fournisseur de gaz.

INSTALLATEUR : Laissez ce manuel avec l'appareil installé.
UTILISATEUR : Conservez ce manuel comme référence ultérieure.

Enregistrez votre produit sur le site www.rinnairegistration.com
ou appelez au numéro 1-866-RINNAI1 (746-6241)

Cet appareil peut être installé comme du matériel d'origine dans une maison préfabriquée (É.-U. seulement) ou dans une maison mobile et doit être installé selon les instructions du fabricant et conformément à la norme Manufactured Home Construction and Safety Standard, Title 24 CFR, Part 3280 ou à la norme CAN/CSA-Z240 Série MM, Maisons mobiles.

Cet appareil peut s'installer dans une maison ancienne déjà construite à emplacement fixe (aux USA uniquement) ou mobile, là où ce n'est pas interdit par les réglementations locales.

Cet appareil ne doit être utilisé qu'avec le type de gaz indiqué sur sa plaque signalétique. Cet appareil n'est pas convertible pour une utilisation avec d'autres gaz, sauf au moyen du montage d'un kit de conversion certifié.

Table des matières

Sécurité du consommateur

<i>Définitions de sécurité</i>	50
<i>Attitudes et pratiques sûres</i>	50
<i>Dispositifs de sécurité</i>	51

Spécifications

<i>Spécifications de l'appareil</i>	51, 52
<i>Caractéristiques</i>	52
<i>Collecteurs de fumée</i>	52

Instructions d'utilisation

<i>Connaissance du nouveau chauffage</i>	53
<i>Panneau de commandes</i>	54
<i>Marche / Arrêt</i>	54
<i>Verrouillage pour les enfants</i>	54
<i>Mise à l'heure</i>	55
<i>Réglage de la température</i>	55
<i>Réglage et utilisation des minuteries</i>	55
<i>Fonction de surpassement</i>	56
<i>Économie (Mode de conservation d'énergie)</i> 56	
<i>Programmation de température minimale</i>	57
<i>Humidificateur et direction du flux d'air</i>	57
<i>Soins et entretien</i>	58
<i>Avant d'appeler pour de l'aide</i>	59
<i>Codes de défauts</i>	60
<i>Fonction de redémarrage</i>	61
<i>Dépannage</i>	61

Instructions d'installation

<i>Instructions générales</i>	62
<i>Connexion de gaz</i>	63
<i>Dégagement par rapport aux combustibles</i> ..	63
<i>Dégagements en sortie de cheminée</i>	64, 65
<i>Dimensions</i>	66
<i>Pièces d'installation</i>	67
<i>Perçage du trou de cheminée</i>	68
<i>Fixation des supports muraux</i>	68
<i>Fixation des cales d'espacement arrière</i>	68
<i>Installation du collecteur de fumée</i>	69, 70
<i>Installation du kit d'extension</i>	71-73
<i>Branchement de l'appareil</i>	74
<i>Ajustage et Réglage de la</i>	
<i>Pression de Gas</i>	75, 76
<i>Instructions de mise en œuvre</i>	77
<i>Schéma de câblage</i>	32
<i>Diagramme logique</i>	33
<i>Liste de pièces</i>	34-44

Service à la clientèle

<i>Informations de garantie</i>	78
<i>Garantie limitée</i>	78, 79

Sécurité du consommateur

Définitions de sécurité



Ceci est un symbole relatif à la sécurité. Il vous prévient de dangers potentiels qui peuvent blesser ou tuer, vous-même et les autres.

DANGER

Indication d'une situation imminente dangereuse, qui, si elle n'est pas évitée, peut entraîner des blessures graves voire mortelles.

AVERTISSEMENT

Indication d'une situation potentiellement dangereuse, qui, si elle n'est pas évitée, peut entraîner des blessures graves voire mortelles

ATTENTION

Indication d'une situation potentiellement dangereuse, qui si elle n'est pas évitée peut entraîner des blessures légères ou moyennes. On peut également l'utiliser pour signaler des pratiques non sûres.

Attitudes et pratiques sûres

AVERTISSEMENT

- Réparations doivent être effectuées par un technicien qualifié.
- Gardez la zone autour de l'appareil dégagée et exempte de matériaux combustibles, essence et autres vapeurs et liquides inflammables.
- N'entreposez jamais de bouteilles de gaz propane liquide à l'intérieur.
- N'utilisez plus cet appareil si une quelconque partie a été immergée. Appelez immédiatement un technicien de dépannage qualifié pour l'inspecter et remplacer toute pièce du système de commande et du contrôle de gaz qui a été immergée.
- Cet appareil est équipé d'une fiche secteur à 3 broches pour votre protection contre l'électrocution, elle doit être directement branchée dans une prise secteur 3 broches correctement reliée à la terre. Il ne faut ni couper ni enlever la broche de terre de la fiche.
- Toute altération de cet appareil ou de ses commandes peut être dangereuse.
- Ne faites pas fonctionner cet appareil avec ses panneaux enlevés, fissurés ou cassés. Le remplacement des panneaux doit être fait par un dépanneur agréé ou qualifié.

ATTENTION

- Ne bloquez pas l'évacuation de l'air chaud. Ne laissez personne dormir directement en face de l'appareil.
- Du fait de ses températures élevées, l'appareil doit être placé à l'écart du trafic et loin des meubles et tentures.
- Les enfants et les adultes doivent être au courant des dangers des surfaces brûlantes, et rester à l'écart pour éviter des brûlures ou l'inflammation de leurs vêtements.
- Les jeunes enfants doivent rester sous étroite surveillance quand ils sont dans la pièce de l'appareil.
- Des vêtements ou d'autres matières inflammables ne doivent pas être placés sur l'appareil ou à proximité.
- Tout écran ou protection de sécurité qui est enlevé pour une intervention doit être remis en place avant de redémarrer l'appareil.
- N'insérez pas d'objets étrangers au travers des persiennes.
- Ne vaporisez pas de bombe aérosol près de l'appareil quand il fonctionne. La plupart contiennent du gaz butane comme propulseur qui est inflammable.
- Ne débranchez pas l'appareil quand il est en fonctionnement ou pendant que sa ventilation est encore active.
- Empêcher les poussières de s'accumuler sur le cordon d'alimentation, couvertures de côté et parties derrière l'appliance.
- Ne siègent pas sur l'appareil de chauffage.
- Ne placez pas de contenants de liquide sur le dessus de l'appareil de chauffage. Déversement d'eau peut causer des dommages considérables à l'appliance et peut entraîner des électrochocs.

Dispositifs de sécurité

- **Surchauffe** : l'appareil se coupe automatiquement quand il atteint une température limite prédéterminée.
- **Défaut de flamme** : L'appareil se coupe automatiquement si la flamme de son brûleur est éteinte.
- **Coupure secteur** : L'appareil coupe son arrivée de gaz s'il n'a plus d'alimentation secteur.
- **Protection de surintensité** : Un fusible en verre sur le circuit imprimé protège d'une surintensité. Quand ce fusible est grillé tous les voyants indicateurs sont éteints.
- **Détection d'étincelles** : L'appareil se coupe automatiquement s'il y a des étincelles anormales à l'allumage.
- **Thermofusible** : Si le dispositif contre la surchauffe évite que la température ne monte trop haut, le thermofusible agit et coupe l'appareil.

Spécifications

Spécifications de l'appareil

Application	Pour maison préfabriquée (USA uniquement) ou maison mobile ou installation résidentielle, convertible pour utilisation au gaz naturel ou de pétrole liquéfié, quand les mesures de conversion nécessaires ont été prises pour passer d'un gaz à l'autre. Pour exploitation commerciale.
Description générale	Chauffage au gaz à combustion et convection forcées, appareil à gaz avec cheminée
Mise en marche	Électroniquement par appui sur un bouton
Raccordement au gaz	NPT 1/2 pouce
Contrôle du gaz	Électronique
Brûleurs	Brûleur Bunsen en acier inox
Contrôle de température	Thermostat électronique
Système de cheminée	La fumée doit sortir dans l'atmosphère avec les éléments de cheminée listés sur la certification de l'appareil. La garantie sera annulée si des composants non listés sont utilisés.
Bac d'humidification	Capacité de 6.3 pintes (3000 cm ³)
Raccordement électrique	120 V CA – 60 Hz, consommation 121 W
Poids	90 lbs (41 kg)
Niveau de bruit	37-47 dB
Rendement énergétique annuel	Gaz naturel : 80.6% Propane : 82.0 %

Rinnai poursuit constamment la mise à niveau et l'amélioration de ses produits. De ce fait ces spécifications sont sujettes à changement sans préavis.

Le rendement énergétique de cet appareil mesure l'efficacité thermique du produit déterminée en utilisation continue, il a été déterminé indépendamment de tout système installé.

Spécifications de l'appareil

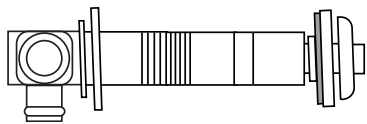
	Gaz naturel	Gaz propane
Pression d'alimentation en gaz min.	5.0 po (127 mm) C.E.	11.0 po (280 mm) C.E.
Pression d'alimentation en gaz max.	10.5 po (267 mm) C.E.	13.0 po (330 mm) C.E.
BTU/heure en entrée	Faible 10 500 Faible 38 400	Faible 10 500 Fort 36 500
BTU/heure en sortie	Faible 8 400 Fort 30 720	Faible 8 400 Fort 29 200

Caractéristiques

- Redémarrage automatique en cas de problème d'allumage ou de combustion
- Chauffage propre à fumée forcée
- Allumage par une touche facile à réaliser
- Capacité de réglage fin de température
- Contrôle et affichage pour confortable température ambiante
- Bouche d'air chaud au niveau du plancher (vos pieds restent au chaud)
- Verrouillage des fonctions
- Mémorisation du réglage de température ambiante
- Voyant demandant le nettoyage du filtre à air
- Réglage d'économie d'énergie
- Bac d'humidification
- Persiennes directionnelles pour flux d'air
- Ventilation directe facile à installer
- Capacité de chauffage proportionnel variable
- Chut ! Fonctionnement silencieux
- Conception moderne minimisant les besoins en surface utile
- Affichage de messages de panne
- Minuteriers 1 et 2
- Ensemble de retour (définissant une température minimale)

Collecteurs de fumée

Les tailles de collecteurs de fumée suivantes sont disponibles en fonction des diverses épaisseurs de murs :

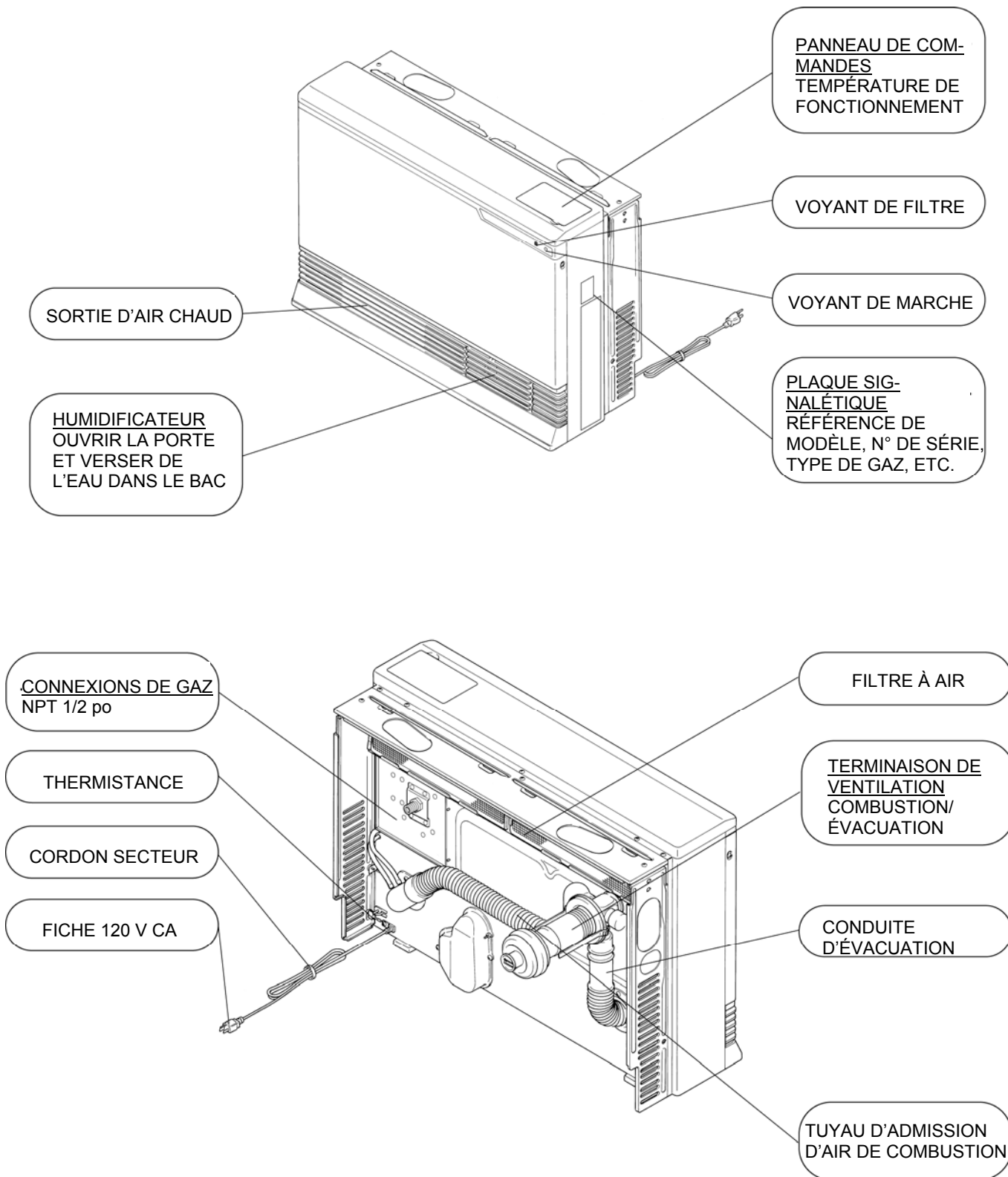


Nom	No. de kit	Pour épaisseur de mur de:
S Kit Vent.	FOT-150	3 - 4 1/2 po (75 - 115 mm)
A Kit Vent.	FOT-151	4 1/2 - 9 1/2 po (115 - 240 mm)
B Kit Vent.	FOT-152	9 1/2 - 15 3/4 po (240 - 400mm)
C Kit Vent.	FOT-153	15 3/4 - 23 5/8 po (400 - 600 mm)
D Kit Vent.	FOT-154	23 5/8 - 31 1/2 po (600 - 800 mm)

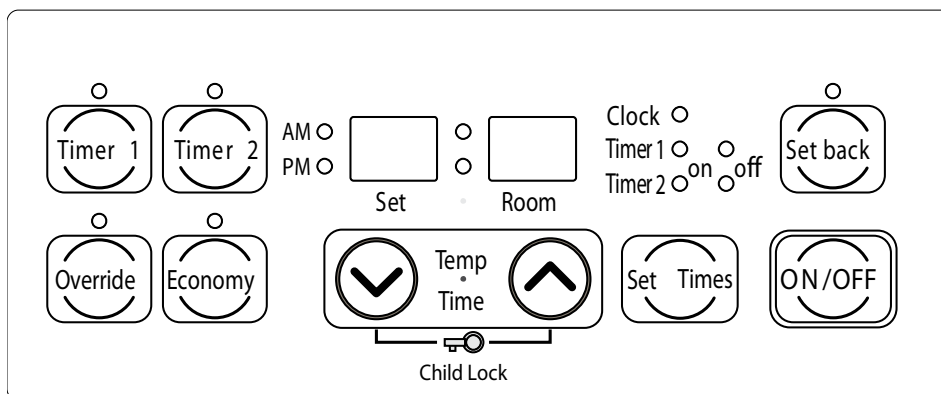
Vent A Kit est fourni avec l'appareil.

Instructions d'utilisation

Connaissance du nouveau chauffage



Panneau de commandes



Contrôle de température

La fonctionnalité de contrôle de température sensible permet de chauffage confortable qui correspond aux conditions dans la salle.

Basé sur les renseignements recueillis par la température de la pièce thermistance lorsque le chauffage démarre, la capacité de chauffage est

automatiquement ajustée pour obtenir un effet de chauffage confortable et atteigne la température définissant rapidement.

Parfois, la température de la pièce peut dépasser brièvement la température définissant en raison de la mise en page de la pièce ou zone de chauffage.

Voyant de filtre

Si le voyant "Filter" clignote durant le fonctionnement, vérifiez le niveau de poussière dans le filtre. S'il est sale, nettoyez-le.

Reportez-vous à la section de soins et entretien. N'oubliez pas d'arrêter le chauffage avant de nettoyer son filtre.

Filter



ON-



Marche / Arrêt

Quand le bouton ON/OFF est enfoncé puis relâché, les voyants de réglage de température s'allument, le ventilateur de combustion commence à tourner et une étincelle va allumer le brûleur principal.

Cet appareil de chauffage comporte un système automatique d'allumage. Quand le brûleur principal est allumé, le voyant de combustion va luire en rouge, et la production d'étincelles va cesser.

Si l'allumage ne s'est pas produit, l'appareil va automatiquement s'arrêter et les voyants de réglage de température vont clignoter, indiquant un code de défaut. Cela peut se produire à la toute première utilisation de l'appareil, ou s'il n'a pas fonctionné durant une période prolongée.



Pour arrêter le chauffage actionnez le bouton ON/OFF, ne le faites pas en le débranchant de sa prise secteur.

Le ventilateur va continuer de tourner pendant une brève période pour éviter une surchauffe des composants internes.

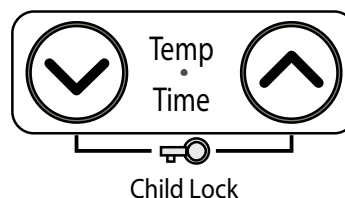
Verrouillage pour les enfants

Cette fonction verrouille les boutons pour empêcher un changement accidentel.

Actionnez le bouton "Lock" pour activer cette fonction, le voyant associé va s'allumer. L'appui maintenu deux secondes sur ce bouton provoque le déverrouillage.

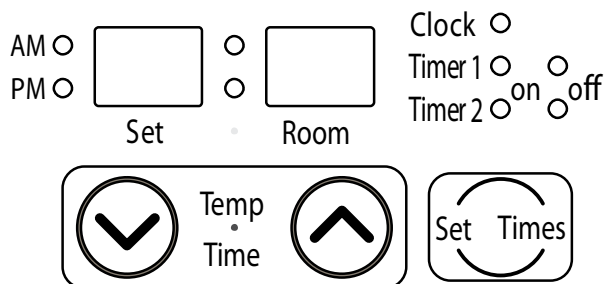
Si ce verrouillage est activé pendant le fonctionnement de l'appareil, tous les boutons seront inactivés sauf celui de marche/arrêt (ON/OFF).

Si ce verrouillage est activé pendant l'arrêt de l'appareil, tous les boutons seront inactivés. Il faudra déverrouiller l'appareil pour pouvoir le mettre en marche.



Mise à l'heure

1. Appuyez sur le bouton "Set Times".
2. Le voyant près de "Clock" doit s'allumer. Actionnez un bouton de flèche montante ou descendante pour régler l'heure. Le maintien enfoncé d'une de ces touches fait défiler l'heure plus rapidement.
3. Appuyez de nouveau sur le bouton "Set Times" jusqu'à ce qu'aucune des options de changement de paramètres d'heure ne soit allumée.



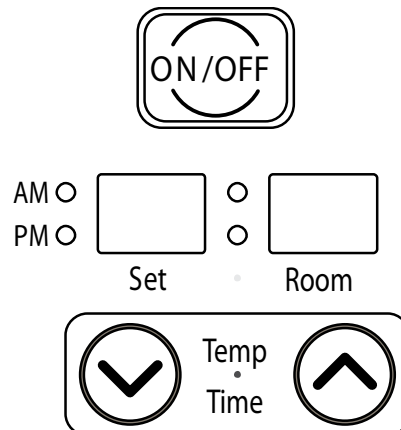
Réglage de la température

La température actuelle de la pièce est indiquée par un voyant clignotant "Room Temp". La température de consigne est indiquée par un voyant "Set Temp" à allumage fixe constant. Quand la pièce atteint la température de consigne, le voyant clignotant s'éteint.

Pour modifier la température de consigne, agir sur l'un ou l'autre des boutons "Temp Control" jusqu'à ce que la valeur voulue soit indiquée.

Le thermostat va automatiquement moduler le fonctionnement du brûleur pour maintenir la pièce à la température de consigne. Les réglages de chauffage disponibles sont :

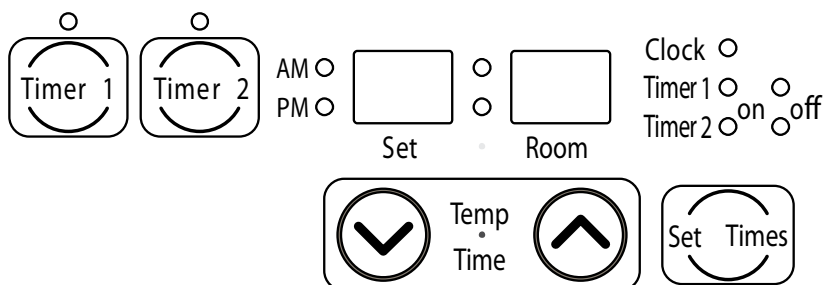
- LO – le brûleur est en combustion minimale
- 60° F - 80° F par incréments de 2° F
- HI - le brûleur est en combustion maximale



Réglage et utilisation des minuteries

Vérifiez que l'heure indiquée est correcte. REMARQUE : Il faudra effectuer une remise à l'heure après une éventuelle coupure du secteur. Cependant les minuteries conserveront leur réglage.

Le chauffage démarrera un peu avant l'heure de départ de façon à chauffer effectivement la pièce à l'heure de départ programmée.



Paramétrage des minuteries :

1. Appuyez deux fois sur le bouton "Set Times" pour paramétrer la Minuterie 1.
2. Le voyant près de "Timer 1 on" doit s'allumer. Actionnez un bouton de flèche montante ou descendante pour fixer l'heure de départ. Le maintien enfoncé d'une de ces touches fait défiler l'heure plus rapidement.
3. Actionnez de nouveau le bouton "Set Times" de façon à ce que la position de fin de minuterie 1 (Timer 1 off) soit allumée. Actionnez un bouton de flèche montante ou descendante pour fixer l'heure de fin. Le maintien enfoncé d'une de ces touches fait défiler l'heure plus rapidement.
4. Actionnez de nouveau le bouton "Set Times" de façon à pouvoir paramétrer la minuterie 2. Suivez les mêmes étapes que précédemment pour définir l'heure de départ et de fin de la minuterie 2.
5. Actionnez le bouton "Set Times" jusqu'à ce qu'il ne reste plus d'option de réglage d'heure allumée.

Utilisation des minuteries :

Pour faire fonctionner le chauffage à l'aide d'une des minuteries, appuyez sur le bouton Timer choisi. Le chauffage va fonctionner entre l'heure de départ et l'heure de fin que vous avez déterminées pour cette minuterie. Il chauffera à la température de consigne qui a été définie pour l'appareil.

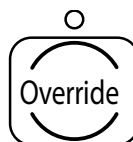
Fonction de surpassement

Cette fonction est utilisée uniquement quand le chauffage est en fonctionnement par minuterie.

Il vous permet de "surpasser" l'action de la minuterie en cours jusqu'au démarrage de la suivante.

Par exemple, si le chauffage était en marche (ON), l'appui sur le bouton "Override" va l'arrêter (OFF) jusqu'à la période suivante. Si le chauffage était arrêté (OFF), l'appui sur le bouton "Override" va le mettre en marche (ON) et vous permettre de sélectionner une consigne de température, jusqu'à la période suivante. Le chauffage restera en marche jusqu'à la période de minuterie suivante ou jusqu'à ce que la fonction de surpassement soit désactivée.

Quand vous êtes en surpassement, l'appui sur le bouton "Override" va faire revenir le chauffage au fonctionnement prévu dans la période en cours de la minuterie actuelle.



Économie (Mode de conservation d'énergie)

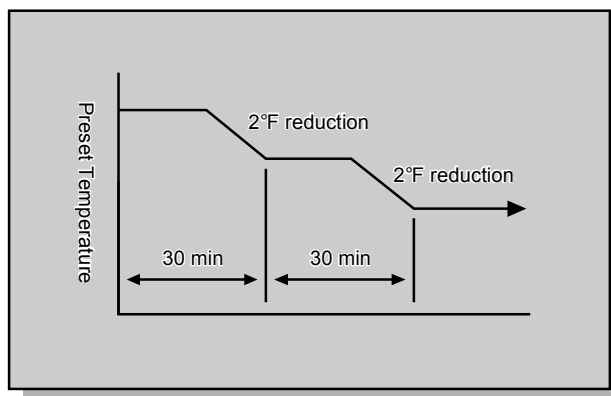
Le mode d'économie d'énergie ne peut être activé que durant le fonctionnement du chauffage (en chauffe). Une fois activé, il restera mémorisé dans le système jusqu'à sa désactivation.



1. Pour passer dans ce mode de fonctionnement, appuyez sur le bouton "Economy". L'indicateur correspondant va s'allumer.
 - Le mode d'économie d'énergie restera alors mémorisé dans le système.
 - Si l'appareil est coupé manuellement, ou cesse de chauffer en fin de période de minuterie, le voyant indicateur de mode économie va s'éteindre.
 - Quand l'appareil redémarre, ce voyant indicateur se rallume.
2. Pour désactiver le mode d'économie d'énergie, appuyez de nouveau sur le bouton "Economy". Le voyant indicateur de mode économie va s'éteindre.
 - Le mode d'économie d'énergie ne peut être désactivé que durant le fonctionnement du chauffage (en chauffe) et si le voyant indicateur d'économie était allumé.

Informations sur le mode d'économie d'énergie

Une fois que la pièce a reçu un chauffage initial, la température de l'air peut être redescendue à un niveau inférieur sans affecter le confort. Le mode d'économie d'énergie réduit la température de consigne de 2 °F, 30 minutes après que la température de consigne initiale ait été atteinte. Après 30 minutes supplémentaires, la consigne est réduite de nouveau de 2 °F, ce qui économise efficacement de l'énergie.



Programmation de température minimale

Cette fonction permet de déterminer à l'avance une température minimale pour la pièce, à définir entre 38°F et 78°F (par incréments de 2°F). Cette température doit être définie ci-dessous le réglage de la température de la pièce. La valeur par défaut est de 60°F. Une fois que cette fonction a été activée, l'appareil commencera à chauffer dès que la température de la pièce tombe sous le seuil sélectionné, quels que soient les réglages par minuterie ou manuels.

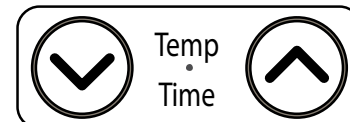
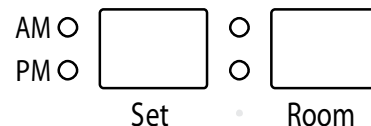
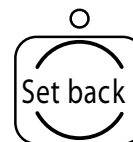
Suivez ces étapes pour paramétrer et activer cette possibilité :

1. Assurez-vous que le chauffage est bien arrêté (OFF).
2. Appuyez sur le bouton "Set back". Le voyant au-dessus du bouton va s'allumer.
3. Actionnez un bouton de flèche montante ou descendante pour fixer la température minimale.

Quand le voyant indicateur "Set back" est allumé, la protection contre le gel est active et empêchera toujours la température de la pièce de tomber sous le seuil prédéterminé.

Pour désactiver cette fonction, appuyez sur le bouton "Retour le jeu".

L'unité conservera son paramètre ON ou OFF après une panne de courant. (Paramètre par défaut de l'usine est activée).



Humidificateur et direction du flux d'air

Ajout d'eau dans l'humidificateur

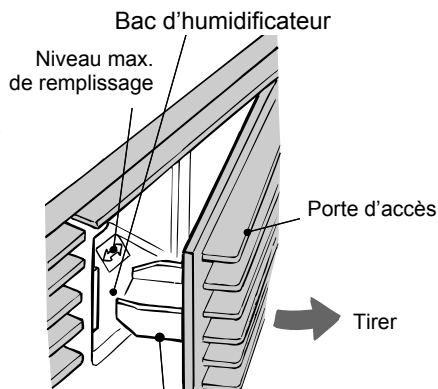
ATTENTION N'enlevez pas le panneau de garnissage du bas ou le bac d'humidificateur pendant que de l'air chaud est envoyé. Attendez 5 minutes après la mise hors tension de l'unité.

L'air chaud est humidifié quand il passe au-dessus de l'eau dans le bac.

Lorsque vous supprimez le volet inférieur, appuyez sur les deux côtés et tirez-la vers vous. Sortez le bac et remplissez-le d'eau. Ne pas dépasser la ligne de remplissage.

Repoussez le bac plein en place et remettez le panneau de remplissage du bas. Ne faites pas fonctionner l'appareil sans que le bac d'humidificateur soit en place.

Durant le fonctionnement une petite quantité de condensation est produite dans le système d'évacuation et retombe dans le bac d'humidificateur.



Bec de remplissage
Ne pas ouvrir la porte en forçant trop.
Bien la garder fermée durant le fonctionnement.

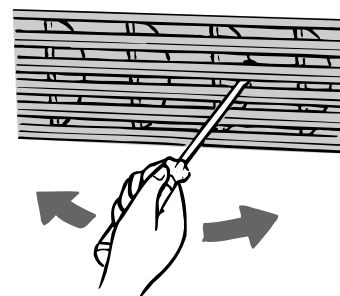
Réglage de la direction du flux d'air

ATTENTION N'ajustez pas les registres de flux d'air pendant que de l'air chaud est envoyé.

Le registre vertical peut être ajusté pour diriger le flux d'air vers la droite ou vers la gauche.

Utilisez un tournevis ou un outil similaire pour fléchir chaque latte dans la position voulue. Ne faites pas cette opération fréquemment (pas plus de 5 fois) sinon le registre peut casser.

Le registre horizontal (qui détermine la direction en hauteur du flux d'air) est fixe et ne peut pas se régler.



Entretien

Toute intervention d'entretien et dépannage doit être effectuée par un technicien de service qualifié, qui de préférence a suivi des cours de service chez Rinnai sur ses produits à ventilation directe.

L'appareil doit être inspecté annuellement par un technicien de service qualifié. Un nettoyage plus fréquent peut être nécessaire du fait par exemple d'un excès de peluches venant des moquettes ou d'une literie. Il est impératif de maintenir propres les compartiments de commandes, de brûleur, et des voies de circulation d'air de l'appareil.

Tout écran ou protection qu'il faut retirer pour une intervention devra être remis en place avant de redémarrer l'appareil.

Voici la façon de nettoyer :

1. Coupez le chauffage et laissez-le refroidir une heure.
2. Ôtez le panneau frontal en enlevant six vis.
3. Utilisez de l'air comprimé pour chasser la poussière du brûleur principal, de l'échangeur thermique et des pales de ventilateur.
4. Essayez le coffret avec un chiffon doux sec.

N'utilisez pas de chiffon mouillé ou de nettoyants en bombe sur le brûleur.

Le conduit de cheminée doit être inspecté annuellement pour repérer obstructions ou dommages.

Les moteurs comportent une lubrification permanente et n'ont pas besoin de lubrification périodique. Maintenez ventilateur et moteur exempts de poussière ou saleté, en les nettoyant tous les ans.

Vérifiez le bon fonctionnement après toute intervention.

Lors de l'attachement du panneau avant, prendre soin de ne pas écrêter ou Pincez les cordons électriques.

Soins pour l'extérieur

Trempez un chiffon doux dans de l'eau chaude. Essorez-le bien et passez-le sur l'appareil.

N'utilisez pas de substances volatiles telles que benzène ou diluants. Cela pourrait ternir la peinture et déformer la résine.

ATTENTION

Empêcher l'accumulation sur le cordon d'alimentation, les capots latéraux et pièces derrière l'appareil de poussière.

Accumulation de neige

Maintenez la zone autour de la sortie de cheminée dégagée de toute neige ou glace. L'appareil ne fonctionnerait pas normalement si son admission ou évacuation étaient gênées par des obstructions.

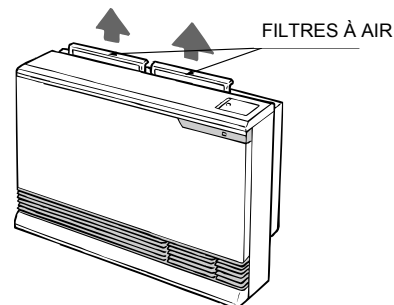
Reportez-vous aux espacements autour de la terminaison de cheminée. L'écartement Réf. A doit être maintenu par rapport à toute accumulation de neige.

Filtres

Des filtres sales réduisent le flux d'air et la capacité de l'appareil à produire de la chaleur. Les filtres doivent être nettoyés fréquemment pendant la saison de chauffe. Si le filtrage est obstrué, le voyant indicateur de filtre va clignoter, et l'appareil émettre un bip sonore. Éventuellement l'appareil s'arrête et le voyant de niveau de température 14 s'éclaire, indiquant un code de défaut.

Pour nettoyer les filtres, l'appareil doit d'abord être arrêté et refroidi. Sortez le filtre et nettoyez-le avec un chiffon doux ou un aspirateur. Si le filtre est gras, lavez-le à l'eau savonneuse, rincez-le et laissez-le complètement sécher avant de le replacer.

Ne pas utiliser l'appareil sans les filtres installés.



Inspection visuelle de flamme

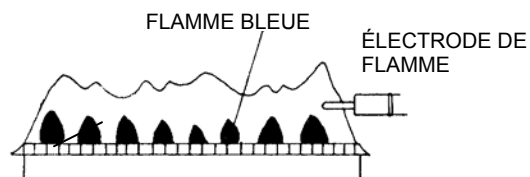
Vérifiez que le brûleur fonctionne normalement par sa flamme. La flamme peut être vue à travers la fenêtre circulaire sur le côté droit de l'Assemblée de l'échangeur de chaleur.

En fonctionnement normal, la flamme de brûleur doit apparaître étirée, claire et bleuâtre, et rester droite et stable. Des flammes de couleur jaune ou orange ne sont pas normales et il faut intervenir.

VÉRIFICATION VISUELLE

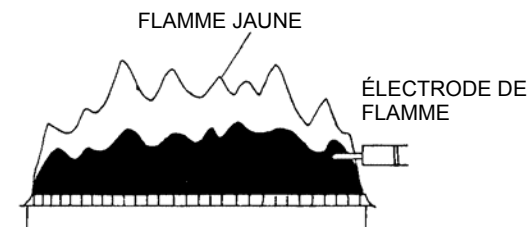
BON

VUE DE FACE



MAUVAIS

VUE DE FACE



Avant d'appeler pour de l'aide

Avant de lancer un appel pour recevoir de l'assistance, vérifiez les points qui suivent :

■ À l'allumage :

Le chauffage ne fonctionne pas.	➔	L'appareil est-il bien branché électriquement? Y a-t-il un fusible grillé ou un disjoncteur déclenché au panneau de distribution en amont? Y a-t-il une panne de secteur? Le filtre à air est-il saturé? La sortie d'air chaud est-elle obstruée? La conduite de cheminée est-elle bouchée?
De l'air chaud ne circule pas dès que le brûleur s'allume.	➔	Le ventilateur est activé automatiquement après un court délai. Cela permet de réchauffer l'échangeur thermique, ce qui aide à éviter l'envoi d'air froid.
Fumée ou odeurs étranges sont émises après le premier essai d'allumage suivant l'installation.	➔	Causées par l'échauffement de graisse, huile ou poussière à l'échangeur, elles cessent vite.
Crépitements secs à l'allumage, ou quand l'appareil se désactive par le thermostat ou par coupure manuelle.	➔	C'est simplement un bruit de dilatation/rétraction venant de l'échangeur thermique.

■ Pendant la combustion :

C'est simplement un bruit de dilatation/rétraction venant de l'échangeur thermique.	➔	C'est le son produit par l'ouverture et la fermeture des électrovannes de gaz.
L'appareil ne chauffe pas la pièce.	➔	Le filtre à air est-il saturé? La température de consigne pour la pièce est-elle suffisante? La sortie d'air chaud est-elle gênée par quelque chose? Les portes et fenêtres de la pièce sont-elles bien fermées? L'appareil est-il correctement dimensionné pour le volume à chauffer?
Filtre à air saturé ou persiennes bloquées ou obstruées.	➔	Laissez refroidir le chauffage, nettoyez le filtre ou dégagez les persiennes, redémarrez.
L'appareil ne se rallume pas après une surchauffe.	➔	Même si l'appareil a eu le temps de refroidir, le chauffage ne se rallumera pas. Une réparation est nécessaire. Contactez une société de service qualifiée/agrée.

■ Quand l'appareil est arrêtée :

Le ventilateur de convection continue de tourner après l'arrêt du chauffage.	➔	Cela sert à évacuer la chaleur résiduelle de l'échangeur thermique. Le ventilateur stoppe une fois l'appareil de chauffage refroidi.
--	---	--

■ Autres points :

De la vapeur se dégage de la terminaison de cheminée.	➔	Les appareils à haut rendement tendent à générer de la vapeur d'eau les jours frais. C'est un phénomène normal.
L'appareil se coupe sans raison apparente.	➔	Regardez si les filtres sont saturés. Cela peut causer une surchauffe de l'appareil.
Panne de secteur.	➔	Passez à l'arrêt (OFF), puis remettez en marche (ON) quand le secteur est revenu pour restaurer les commandes.

Codes de défauts

En cas de dysfonctionnement, l'appareil peut se couper comme précaution de sécurité, elle affiche alors un code de défaut pour aider à diagnostiquer le problème. Ce code de défaut va clignoter à l'afficheur du panneau de commandes. Quand vous appelez pour une demande d'intervention, donnez ce code qui aidera à cerner le défaut.

Vous pouvez peut-être éliminer le code de défaut en passant le chauffage sur arrêt puis en le remettant en marche. Si le code de défaut est resté présent ou revient à la remise en route, contactez Rinnai ou votre agent de service le plus proche pour planifier une intervention.

CODE AFFICHÉ	DÉFAUT	REMÈDE
11	Panne d'allumage	Vérifier que l'arrivée de gaz est ouverte. Vérifier l'absence de blocage à la terminaison de ventilation. Se référer à l'explication de la fonction de redémarrage. Appeler pour une demande d'intervention si cela continue.
14	Surchauffe d'appareil	Nettoyer le filtre. Appeler pour une intervention si cela continue. [1]
16	Pièce trop chauffée	Abaisser le point de consigne pour la température de pièce en dessous de 104° F (40 °C).
31	Panne de capteur de température de la pièce (circuit ouvert)	Demande d'intervention
32	Panne de capteur de température circuit fermé	
33	Panne de capteur de surchauffe de la pièce (circuit ouvert)	
34	Panne de capteur de surchauffe circuit fermé	
49	Panne de capteur	
53	Panne de générateur d'étincelles	
61	Panne de ventilateur de combustion	
70	Commutateur M/A défectueux Commutateur "Set Back" défectueux	
71	Solénoïdes défectueux	
72	Électrode de flamme défectueuse	
73	Erreur de communication	Couper le chauffage puis le remettre en marche
99	Blocage de cheminée	Chercher une obstruction au niveau de la sortie de cheminée [2]

[1] Si le cavalier fusible doit être remplacé, cela doit être effectué par une agence de service qualifiée. De plus la cause de la surchauffe a besoin d'être déterminée. Ce cavalier fusible est un dispositif de sécurité qui n'agit qu'une fois, en se déclenchant il permet d'arrêter l'appareil.

[2] Dégagez toutes les obstructions. La cheminée doit être gardée dégagée pour libérer les gaz d'échappement. Si l'appareil

Fonction de redémarrage

Si il y a une panne de courant, alors que l'appareil est sur, puis l'apppliance testaments tart automatiquement lorsque le pouvoir est rétabli.

Si l'appareil n'arrive pas à s'allumer, il essaiera de nouveau son allumage après 1 heure. Le code de défaut 11 "Ignition Failure" apparaîtra durant ce délai. Si la nouvelle tentative réussit, ce code de défaut disparaîtra de l'affichage, sinon il demeurera et une nouvelle tentative d'allumage se répétera une heure plus tard. Le code de défaut n'est pas conservé dans l'historique des codes de défaut.

Si la flamme est éteinte durant la combustion forcée, alors l'appareil essaiera un allumage après 1 heure. Il n'apparaîtra pas de code de défaut. La combustion forcée commence environ 2 minutes après l'allumage. Après ce délai la logique de contrôle de température pilote la combustion.

Si la flamme est éteinte (panne de combustion du brûleur) pendant que c'est la logique de contrôle de température qui pilote l'appareil, il essaiera immédiatement de se rallumer. Aucun code de défaut n'apparaîtra.

En résumé, si l'allumage échoue ou la flamme s'éteint pendant la combustion forcée l'apppliance tente de redémarrer après 1 heure de dialogue. Si la flamme sera éteinte après cette période puis l'apppliance immédiatement tentera d'allumage.

Dépannage

Problème / Cause	Pas d'indication de marche	Pas d'allumage du brûleur	Combustion anormale	Arrêt de combustion en fonctionnement	Odeur de gaz	Allumage bruyant	Réchauffage de la pièce trop long	Remède
Non branché	●	●						Brancher l'appareil
Panne secteur	●	●		●				Mettre à l'arrêt et remettre en marche au retour du secteur
Air dans la conduite de gaz à l'installation (en cas de branchement initial)		●						Purger l'air (installateur)
Filtre à gaz encrassé		●	●				●	Demande d'intervention
Mauvais allumage	●	●						Demande d'intervention
Sortie de cheminée obstruée			●	●		●		Dégager l'obstruction
Collecteur de fumée pas connecté					●	●		Demande d'intervention
Persiennes obstruées				●			●	Dégager l'obstruction
Filtre à air encrassé				●			●	Nettoyer le filtre
Fuite de gaz					●			Demande d'intervention
Fonction de verrouillage activée		●						Déverrouiller
Coupure de gaz en amont (compteur, réservoir ou vanne)		●						Rétablir l'arrivée du gaz
ON Timer est définie.		●						Annuler "ON" bois ou push remplacer bouton

Instructions d'installation

Instructions générales



AVERTISSEMENT

N'utilisez pas de matériaux de substitution.
N'utilisez que des pièces certifiées pour aller sur cet appareil.

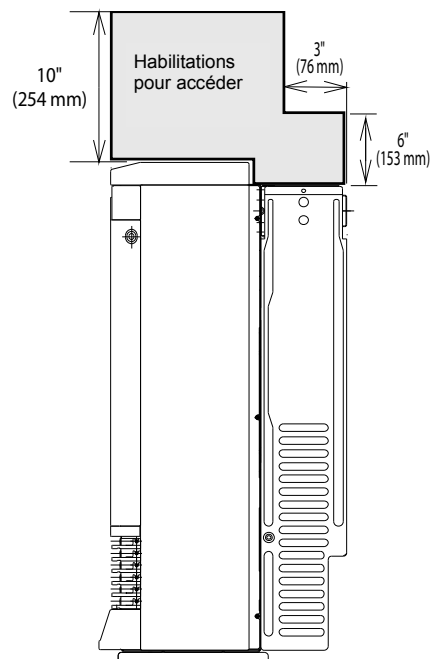
AVIS

Si l'installation a lieu à une altitude qui dépasse les 2 000 pieds (610 m), suivez alors les procédures de réglage de pression.

Les débits calorifiques d'appareil sont basés sur un fonctionnement au niveau de la mer et ne sont pas modifiés jusqu'à une altitude de 610 m (2 000 pi).

- C'est un technicien qualifié qui doit installer cet appareil et l'inspecter avant utilisation.
- Si vous déménagez, vérifiez le type de gaz de votre nouveau domicile. La régie de gaz locale vous conseillera sur les réglementations locales.
- L'installation doit être conforme aux normes locales, et à défaut avec la norme américaine sur le gaz combustible *ANSI Z223.1/NFPA 54* ou la norme canadienne sur les installations au gaz naturel et propane *CSA B149.1*.
- Une installation dans une maison préfabriquée (aux USA uniquement) ou dans une maison mobile doit se conformer à la norme américaine sur la *construction et la sécurité des maisons préfabriquées (Title 24 CFR, Part 3280)*, ou quand elle n'est pas applicable à celle sur les installations de *maisons préfabriquées (ANSI Z225.1)*, ou la norme canadienne sur les *véhicules de loisirs et habitations mobiles équipés au gaz (CSA Z240.4)*.
- L'appareil quand il est installé doit être mis à la terre en conformité avec les normes locales, ou en leur absence avec la *norme électrique américaine (ANSI/NFPA 70)* ou la *norme canadienne (CSA C22.1)*.
- Les débits calorifiques d'appareil sont basés sur un fonctionnement au niveau de la mer et ne sont pas modifiés jusqu'à une altitude de 610 m (2 000 pi).
- L'appareil et sa vanne de gaz doivent être débranchés du système de conduite de distribution de gaz s'il doit être testé sous des pressions dépassant 1/2 psi (3,5 kPa).
- L'appareil doit être isolé du système de conduite de distribution de gaz en coupant l'arrivée à sa vanne de fermeture si le système doit être testé sous des pressions inférieures ou égales à 1/2 psi (3,5 kPa).
- Si le sol est avec moquette, carrelage ou autre matériau combustible autre que du bois, il faut alors installer l'appareil sur un panneau de bois ou métal dépassant la largeur et la profondeur de l'appareil.

- Cet appareil envoie un gros volume d'air chaud vers le sol. Toutes les particules en suspension dans l'air, comme la fumée de tabac, peuvent causer une coloration de la moquette. Le flux d'air chaud peut décolorer les moquettes en nylon contenant des surfaces colorées ou vinyle.
- Cet appareil n'est pas conçu pour être encastré.
- Cet appareil ne doit être utilisé qu'avec le type de gaz indiqué sur sa plaque signalétique. Cet appareil n'est pas convertible pour une utilisation avec d'autres gaz, sauf au moyen du montage d'un kit de conversion certifié. Si une conversion est nécessaire, elle doit être effectuée par une société de service qualifiée aux frais du propriétaire.
- Cet appareil ne doit pas être relié à une cheminée d'évacuation de fumées desservant aussi un autre appareil de chauffage à combustion.
- Rinnai suggère d'utiliser comme source d'alimentation secteur un circuit dédié à l'appareil (120 V CA, 60 Hz, 10 A).
- Deux connexions de test en 1/8 po sont fournies pour vérifier la pression différentielle au distributeur. Elles sont situées sur la vanne de gaz modulatrice et le distributeur de brûleur.
- L'appareil devrait être correctement dimensionné pour l'espace, qu'il est nécessaire pour chauffer. Il est recommandé qu'un calcul de perte de chaleur de BTU standard industrie soit effectuée afin de déterminer la taille appropriée.
- Suivez les instructions d'installation et celles de la section sur les *soins et l'entretien* pour obtenir un air de combustion et de ventilation adéquats.
- Le flux d'air de combustion et de ventilation ne doit pas être obstrué.
- Habilitations pour accéder au matériel au cours de l'entretien sont 10 pouces (254 mm) sur les côtés, 40 pouces (1 m) de l'avant et la zone ci-dessus de l'appliance dans l'image.



Connexion de gaz



AVERTISSEMENT

Lors de la connexion le robinet de gaz ou d'autres composants de gaz dans la ligne de gaz, utilisez une clé de sauvegarde pour garantir que la connexion est serrée de gaz.

- La conduite d'arrivée de gaz doit être étanche, bien calibrée et installée de façon à fournir assez de gaz pour la demande maximal du chauffage sans perte de pression.
 - Une vanne de coupure principale et une vanne à la connexion de l'appareil doivent être installés en amont de l'appareil sur la conduite d'alimentation pour permettre l'arrêt d'alimentation durant des interventions.
 - Le tuyau flexible et la vanne d'appareil utilisés pour l'arrivée de gaz doivent être de types approuvés par les agences nationales compétentes.
 - Tout produit utilisé sur les joints filetés de tuyauterie de gaz doit pouvoir résister à l'action des gaz de pétrole liquéfié (propane).
- Après la réalisation du branchement de gaz, tous les joints, y compris ceux du chauffage, doivent avoir leur étanchéité vérifiée à l'aide d'une solution de détection de fuites (eau savonneuse ou équivalent) non inflammable en fonction des possibilités (Du fait que certaines solutions de détection de fuites, dont l'eau savonneuse, peuvent provoquer une corrosion ou une fissuration sous contrainte, la tuyauterie doit être rincée à l'eau après le test, sauf s'il a été déterminé l'innocuité de la solution de test de fuites).
 - Vérifiez la pression d'alimentation en gaz immédiatement en amont à un endroit fourni par la société de distribution. Le gaz disponible doit être dans les limites indiquées dans la section de spécifications.
 - Reportez-vous à un tableau de dimensionnement approuvé de conduites si vous avez un doute sur la dimension de la conduite d'arrivée de gaz.
 - Installez la vanne de coupure manuelle de façon à ce qu'elle soit accessible pour une coupure facile. Ne la placez pas dans l'intervalle derrière l'appareil.

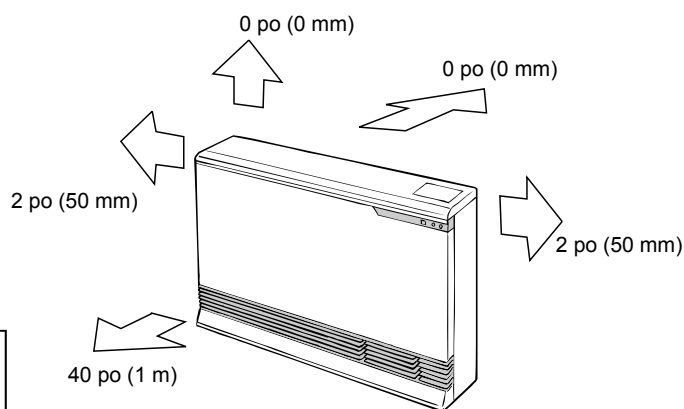
Dégagement par rapport aux combustibles

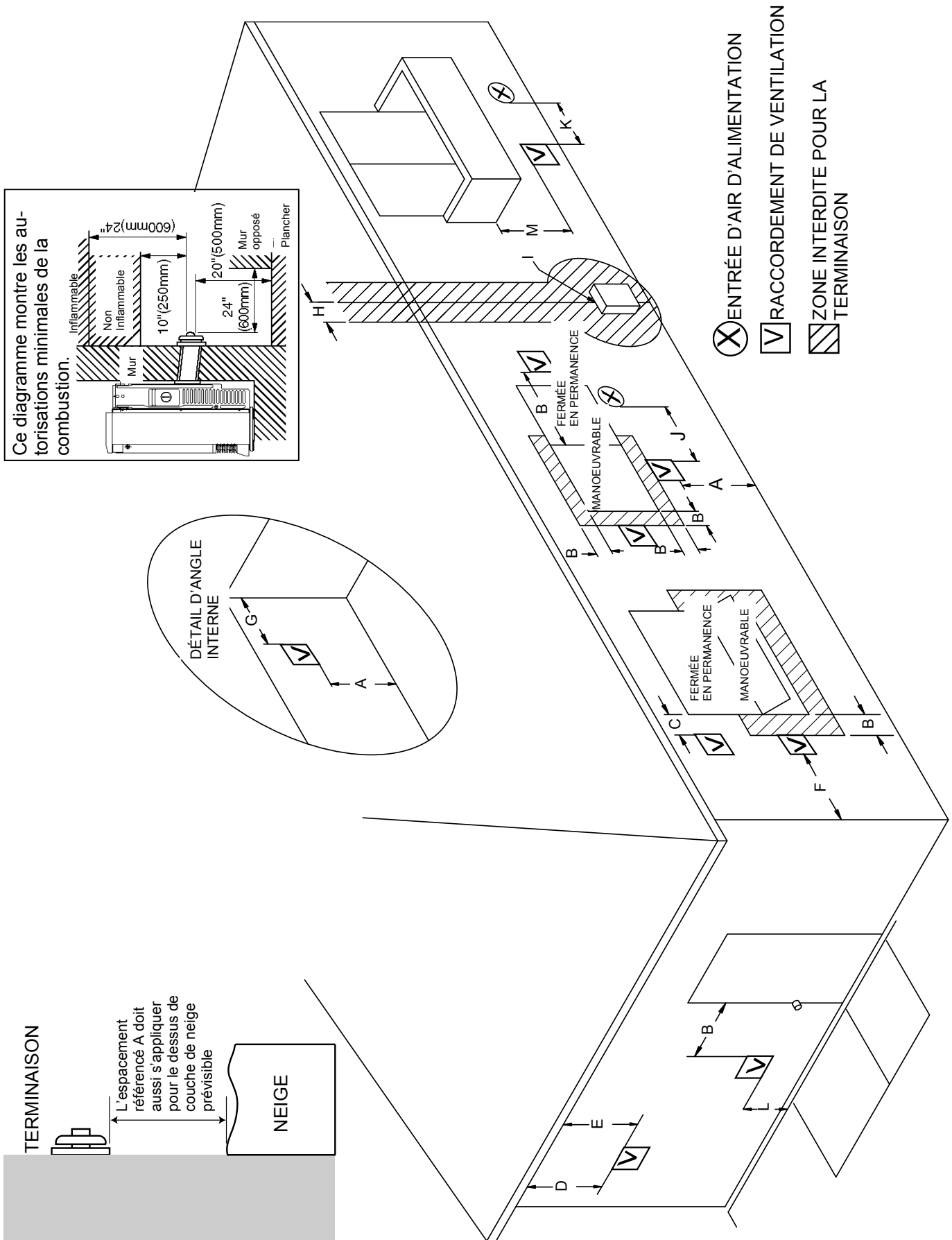
Quand vous déterminez l'emplacement de montage de l'appareil, il faut respecter les distances par rapport aux combustibles montrées sur la figure ci-contre. Reportez-vous aussi à la section sur les attitudes et pratiques sûres.

Rinnai recommande 10 "(254 mm) clairance du haut et des deux côtés pour l'entretien.

AVIS

L'apurement de 40 pouces (1 mètre) à l'avant de l'appliance n'inclut pas les matériaux de revêtement de sol ou tapis qui est inférieure à 1,2 pouces (30 mm) de hauteur.





Dégagements en sortie de cheminée (Suite)

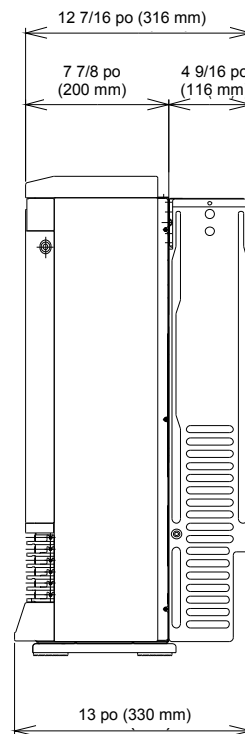
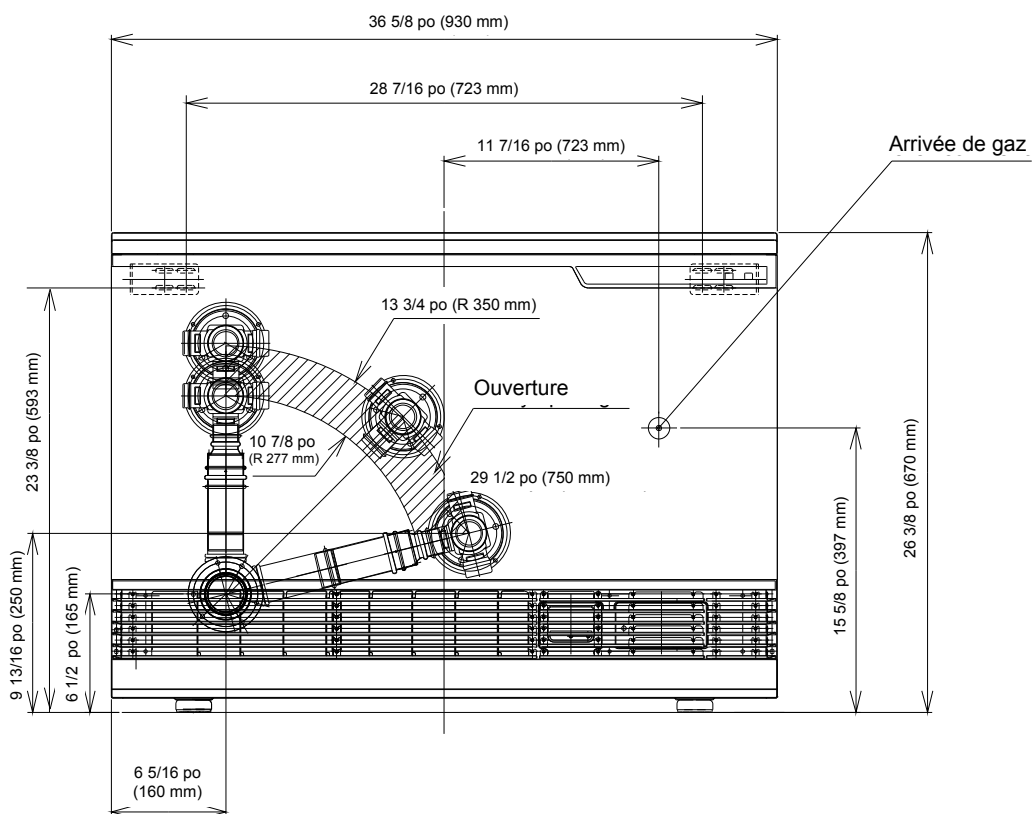
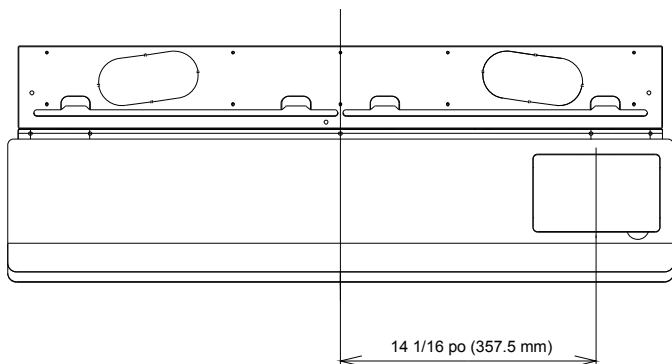
① Une ventilation ne doit pas se terminer directement au-dessus d'allée pavée ou de trottoir situé entre deux propriétés familiales et qui les dessert toutes les deux.

② Permis uniquement si véranda, porche, plate-forme ou balcon est complètement ouvert sur au moins deux côtés sous le sol.

* Pour les distances non spécifiées dans ANS/ Z223.1/NFPA 54 ou CSA B149.1, il faut suivre les normes d'installation locales et les contraintes données par le fournisseur de gaz.

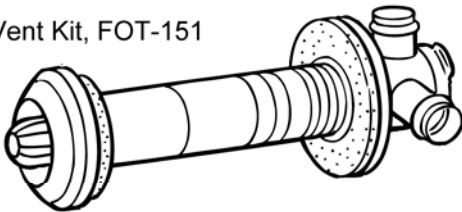

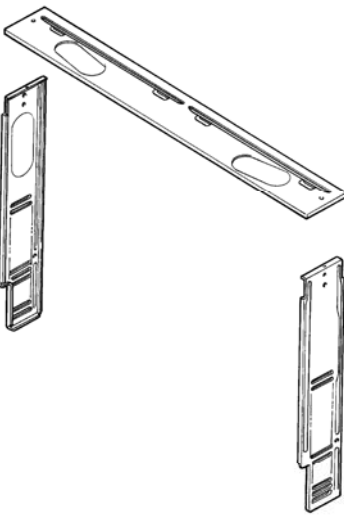







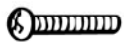


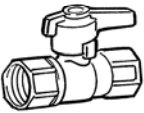
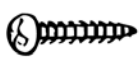

Réf.	Description	Installations Canada	Installations USA
A	Dégagement au-dessus de sol, véranda, porche, plate-forme ou balcon. (prendre en compte la hauteur probable de heige)	12 po (30 cm)	12 po (30 cm)
B	Dégagement jusqu'à fenêtre ou porte pouvant être ouverte	12 po (30 cm)	9 po (23 cm)
C	Dégagement jusqu'à fenêtres fermées en permanence	*	*
D	Dégagement espacement vertical jusqu'aux combles ventilés, au-dessus de la terminaison à une distance horizontale de 2' (61 cm) de l'axe de la terminaison	*	*
E	Dégagement jusqu'à des combles non ventilés	*	*
F	Dégagement jusqu'à un angle extérieur	*	*
G	Dégagement jusqu'à un angle intérieur	20 po (50 cm)	20 po (50 cm)
H	Dégagement par rapport à chaque côté d'une ligne axiale prolongée au-dessus de l'ensemble compteur/régulateur	3 pi (91 cm) dans une hauteur de 15 pi (4,5 m) au-dessus de l'ensemble compteur/régulateur	*
I	Dégagement jusqu'à la sortie du régulateur de ventilation de service	3 pi (91 cm)	*
J	Dégagement jusqu'à une bouche d'alimentation en air non mécanique dans le bâtiment ou une prise d'air de combustion d'un autre appareil	12 po (30 cm)	9 po (23 cm)
K	Dégagement jusqu'à bouche d'alimentation en air mécanique	6 pi (1,83 m)	3 pi (91 cm) au dessus si dans 10 pi (3 m) horizontalement
L	Dégagement au-dessus d'allée pavée ou de trottoir sur le domaine public	7 pi (2,13 m) ①	*
M	Dégagement sous véranda, porche, plate-forme ou balcon	12 po (30 cm) jusqu'aux matériaux non-inflammables ② 24 po (61 cm) jusqu'aux matériaux inflammables ②	12 po (30 cm) jusqu'aux matériaux non inflammables ② 24 po (61 cm) jusqu'aux matériaux inflammables ②

Dimensions



Pièces d'installation

Les articles suivants sont inclus avec l'appareil livré :

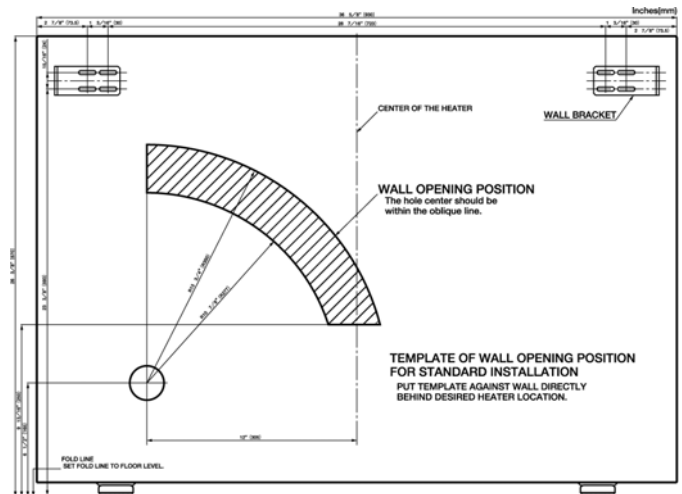
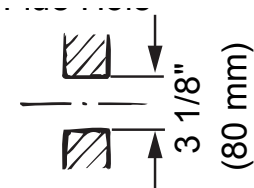
<p>Collecteur de fumée 1</p> <p>"A" Vent Kit, FOT-151</p> 		<p>Joint caoutchouc de rechange 1</p> <p>(appareils à ventilation « A » uniquement)</p>  <p>(pour installations avec parement bois)</p>	
<p>Jeu d'espaceurs arrière</p> 	<p>1</p>	<p>Supports muraux</p> 	<p>2</p>
		<p>Collier d'isolation</p> 	<p>1</p>
		<p>Attache plastique pour entrée d'air</p> 	<p>1</p>
		<p>(M4)</p>  <p>Pour collecteur de fumée</p>	<p>7</p>
<p>Adaptateur de ventilation</p> 	<p>1</p>	<p>(M5)</p>  <p>Pour supports muraux</p>	<p>4</p>
<p>Arrêt de tuyau A&S</p> 	<p>2</p>	<p>(M4× 20)</p>  <p>Pour verrouillage d'obturateur de cheminée</p>	<p>1</p>
<p>Arrêt de tuyau E</p> 	<p>1</p>	<p>(M4)</p>  <p>Pour jeu de cales d'espacement arrière</p>	<p>3</p>
<p>Vanne manuelle</p> 	<p>1</p>	<p>(M4.8× 32) Wood Screws</p>  <p>Vis de support mural</p>	<p>7</p>
<p>Coude (gaz)</p> 	<p>1</p>	<p>Manuel d'utilisation Gabarit</p>	<p>1</p>

Perçage du trou de cheminée

Vérifiez qu'il n'y a pas de conduites d'eau, gaz ou électricité cachées dans l'espace où le conduit passera. Percez le trou de cheminée en utilisant un outil de coupe pour diamètre 80 mm (3-1/8 po). Un gabarit est inclus. Le centre du trou doit être situé dans la zone hachurée à moins d'utiliser des extensions. Voir le diagramme avec dimensions.

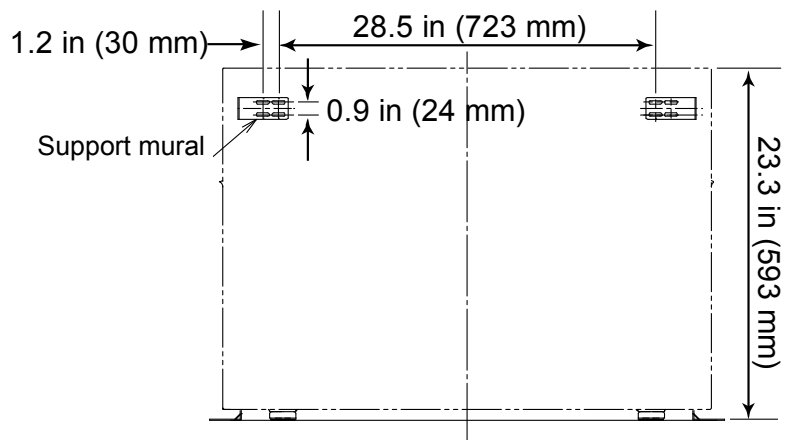
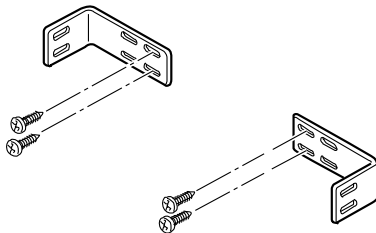
Pour les murs avec parement bois, percez au centre du revêtement à partir de l'extérieur d'abord, puis au travers du placoplâtre.

Passage de cheminée

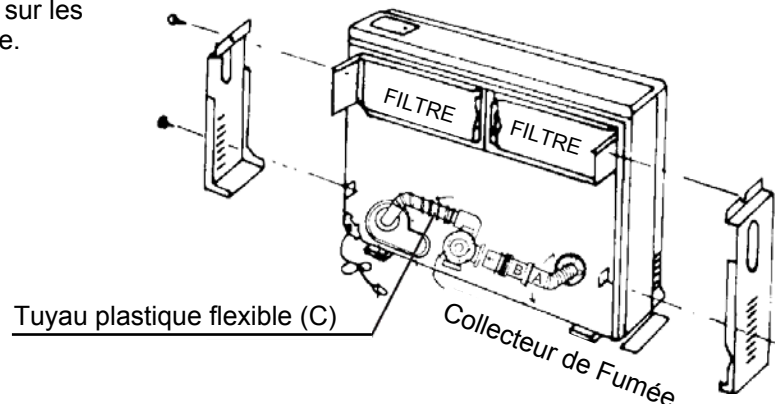


Fixation des supports muraux

Fixez les supports muraux comme montré. Un gabarit est fourni.



Fixez les cales latérales d'espacement arrière sur les deux côtés de l'appareil avec deux vis chacune.



Installation du collecteur de fumée

- Le collecteur de fumée doit sortir à l'extérieur. N'évacuez pas dans d'autres pièces.
- La cheminée n'est pas conçue pour être positionnée sous des planchers ou sous le chauffage.
- La terminaison ne peut pas être verticale.
- L'appareil ne peut être utilisé qu'avec l'un des cinq types de kits de collecteurs de fumée de Rinnai. Ces kits et leurs dimensions sont listés dans la section des spécifications.
- Reportez-vous à la section sur les intervalles au raccordement de cheminée.

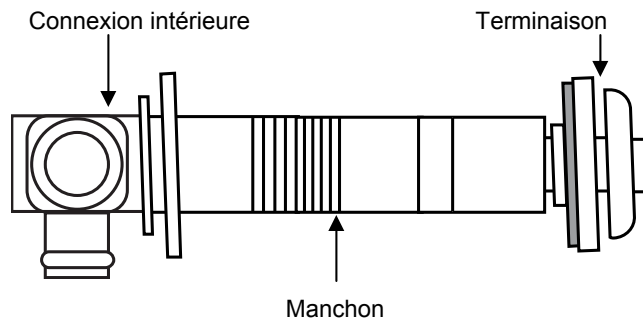
1. Démontez le collecteur de fumée

Il consiste en 3 parties :

- manchon
- connexion intérieure
- terminaison extérieure

Démontez le collecteur de fumées en sortant d'abord sa connexion interne. Pour ôter la terminaison extérieure, tirez et relâchez les deux attaches internes, puis sortez la terminaison extérieure.

Les distances par rapport aux combustibles pour manchon et brides sont de zéro.



2. Réglage de la longueur de manchon

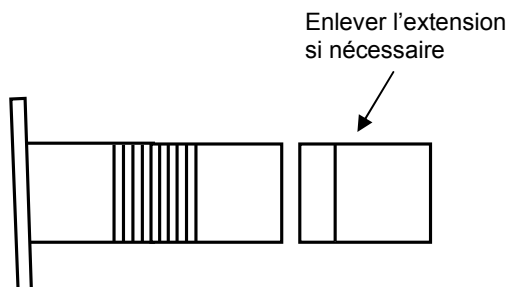
Mesurez l'épaisseur de mur au travers du trou de 3-1/8 po (8 cm) précédemment percé.

L'extrémité du manchon doit sortir de 3/16 à 3/8 po (5-10 mm) de l'extérieur du mur.

Le manchon est fileté pour un réglage. Réglez sa longueur en fonction de l'épaisseur de mur en y ajoutant de 3/16 à 3/8 po (5-10 mm).

REMARQUE : N'étirez pas le manchon au-delà de la ligne rouge.

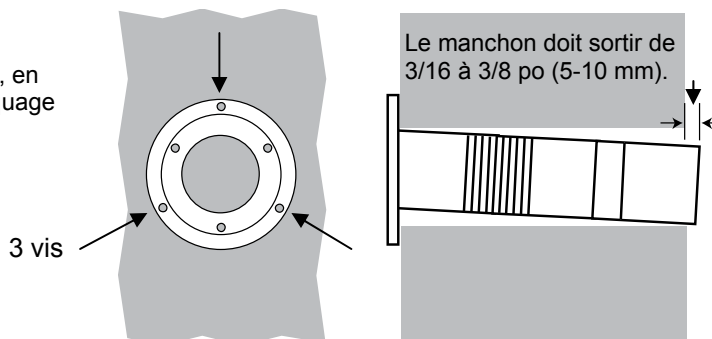
Pour les collecteurs de fumée autres que le type « S », si une longueur plus réduite est nécessaire une extension peut être ôtée. Coupez le plastique et éliminez l'extension.



3. Fixation du manchon

Fixez sur l'extérieur de mur en utilisant 3 vis, en disposant la bride de façon à ce que le marquage « TOP » soit sur le dessus.

La bride est décalée de 2 po (51 mm) pour permettre le drainage du condensat vers l'extérieur.

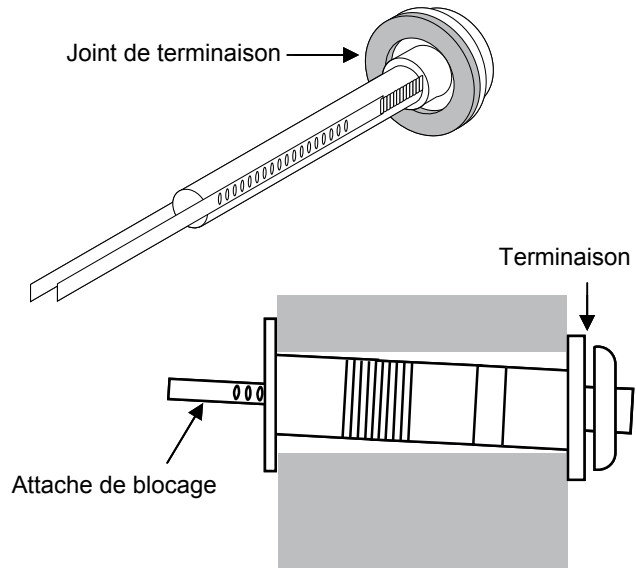


Installation du collecteur de fumée

4. Installation de la terminaison

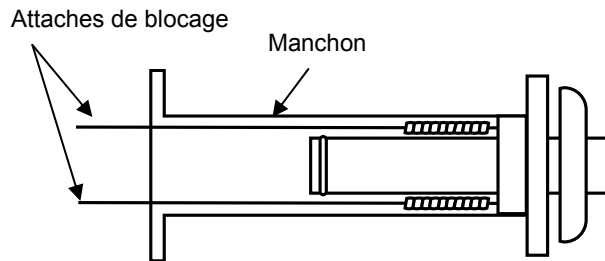
Vérifiez que le joint de terminaison est en place. Pour les murs avec parement en bois, ajoutez le second joint près du joint de terminaisons pour compenser pour l'angle de parement.

Depuis l'extérieur insérez la terminaison dans le manchon en gardant le marquage « TOP » vers le haut. Le blocage de côté gauche doit être repéré par « LEFT ».



5. Blocage des attaches

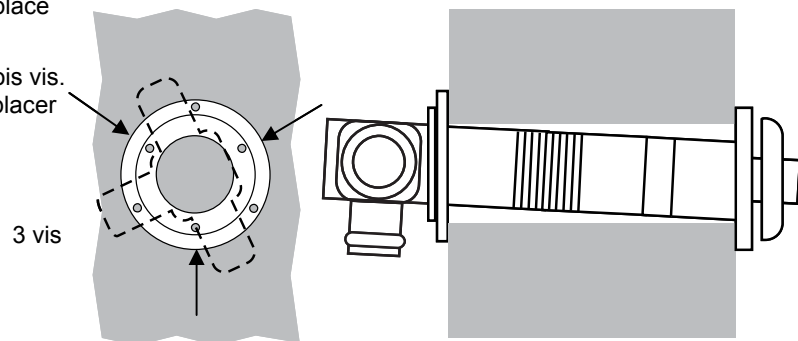
En tirant fort sur les attaches de gauche et de droite, accrochez-les dans les crans du manchon. Vous devriez pouvoir tirer les attaches jusqu'à 2 ou 3 crans après le point de départ. Coupez le bout des attaches, en ne laissant dépasser qu'environ 3/4 po (20 mm) après le cran. Ramenez le bout des attaches dans le manchon en parallèle avec le mur.



6. Insertion de l'ensemble interne de connexion

Poussez l'ensemble dans le tube de terminaison en vous assurant que le joint est en place dans le tube intérieur.

Fixez la connexion intérieure avec trois vis. Elle peut toujours être tournée pour placer ces vis.



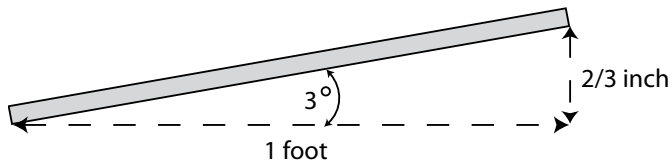
Installation du kit d'extension

Si nécessaire, des kits d'extension sont disponibles pour prolonger la conduite d'évacuation et le tuyau d'admission d'air entre collecteur de fumée et appareil. La longueur de ventilation maximale permise est de 13 pieds (4 m) avec 2 coudes. Horizontale extensions doit être inclinée de 3° vers le bas en direction du collecteur de fumée pour permettre au condensat d'être drainé vers l'extérieur. Ne permettez pas des points bas sur la conduite d'évacuation où du condensat pourrait s'accumuler.

Les extensions de ventilation installées dans un espace à l'air non conditionné doivent être isolées avec un matériau pour haute température et doivent rester accessibles.

Les extensions de ventilation ne doivent pas être dissimulées selon la norme NFPA 54 et doivent rester accessibles pour permettre leur inspection et réparation. Des caches décoratifs sont disponibles chez Rinnai.

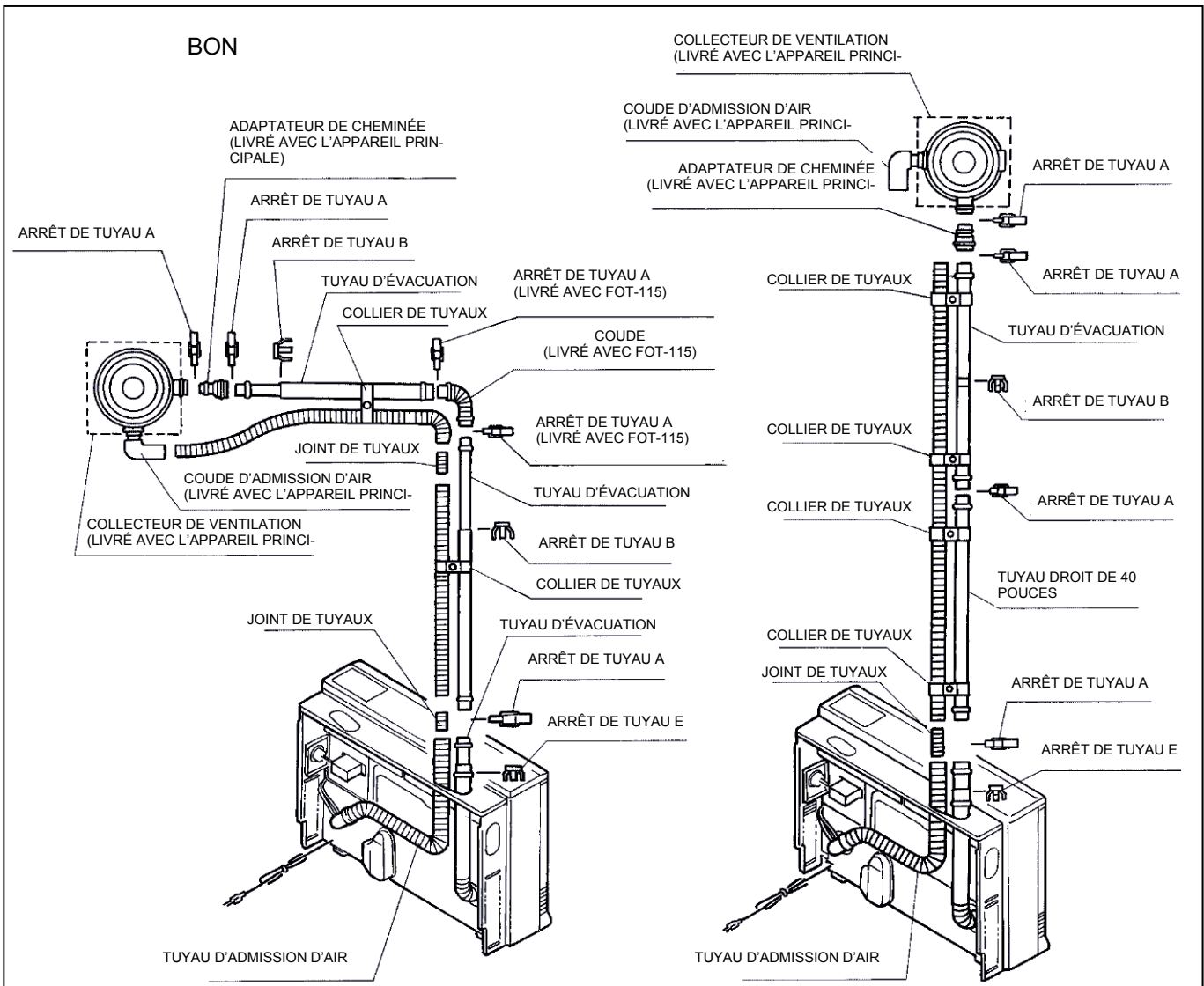
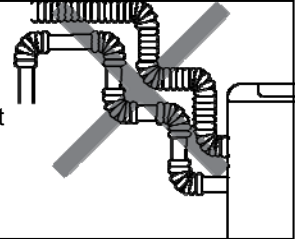
Exemples



Pente sections horizontales 3° (chute de 2/3 pouces par pied de vent), (chute de 53 mm par 1 m de vent).

MAUVAIS

- Trop de courbures (la limite est 2)
- Le tuyau d'admission d'air est placé au-dessus du tuyau d'évacuation



Installation du kit d'extension



ATTENTION

Utilisez arrêts de tuyau, connecteurs, colliers et vis en suivant ces instructions de façon à assurer l'absence de fuites de gaz d'évacuation.

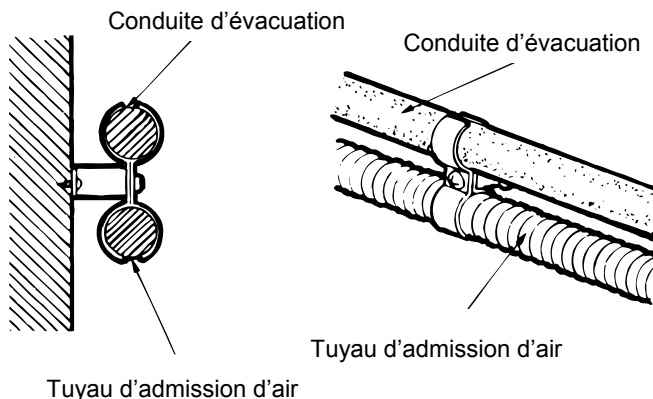
Dégagements

Conduite d'évacuation à matériaux combustibles	1 pouce (25,4 mm)
Conduite d'évacuation à matériaux non combustibles	zéro

Attaches

Conduite d'évacuation comme tuyau d'admission d'air sont supportés par des colliers fixés au mur. Un dispositif mural peut être utilisé pour éloigner le collier du mur. Utilisez une vis B pour fixer ce dispositif mural sur le mur. Si un dispositif mural n'est pas utilisé, servez-vous de la vis A et de l'écrou pour fixer le collier au mur.

Le tuyau d'admission d'air doit toujours être en dessous de la conduite d'évacuation, pour qu'au cas où ce premier s'affaisserait il ne vienne pas en contact avec la conduite d'évacuation.



Installation de la conduite d'évacuation

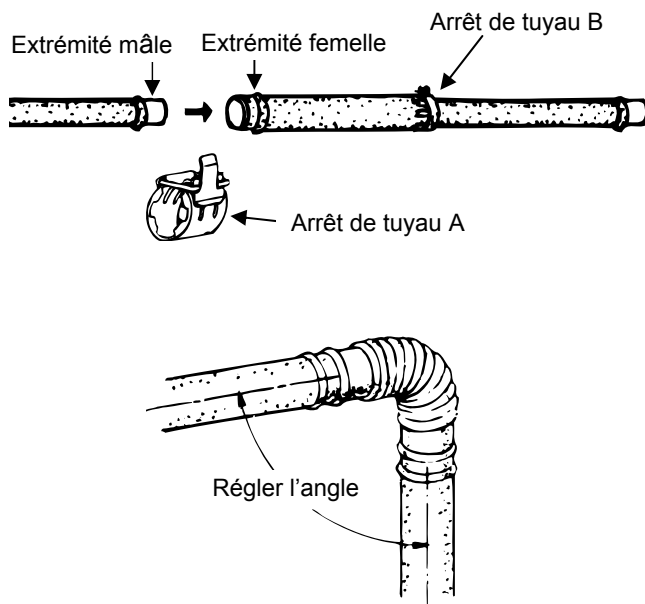
La conduite d'évacuation est branchée entre le tube coudé à l'arrière du chauffage et le port de sortie du collecteur de fumée.

Pour brancher des évacuations avec d'autres tuyaux droits ou courbes, raccordez l'extrémité mâle dans l'extrémité femelle. Utilisez un arrêt de tuyau A pour serrer cette connexion.

Utilisez un arrêt de tuyau B pour fixer la longueur sur les tuyaux d'évacuation réglables. N'étirez pas ces tuyaux au-delà de la ligne repère rouge.

Ne coupez pas la conduite d'évacuation, mais utilisez des tuyaux réglables si nécessaire.

Pour courber un coude, insérez des tuyaux d'évacuation dans chacune de ses extrémités pour faire levier. Courbez à l'angle voulu. Ne redressez pas le tube coudé de sortie fixé sur l'appareil.



Connexion de la conduite d'évacuation

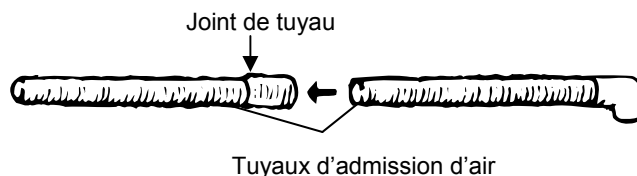
Le tuyau d'admission d'air est branché entre la connexion pour l'air à l'arrière de l'appareil et le port d'admission d'air sur le collecteur de fumée.

Poussez le tuyau d'admission d'air dans le collecteur de fumée et fixez-le en place avec une attache de câble en plastique.

Joignez les tuyaux d'admission d'air en vissant un joint de tuyau jusqu'à la moitié de sa longueur au bout d'un tuyau d'admission d'air, et en vissant un autre tuyau d'admission

d'air de l'autre côté de ce joint de tuyau. Les longueurs de tuyau d'admission d'air et de conduite d'évacuation doivent être égales pour que l'appareil fonctionne correctement. Les tuyaux peuvent être coupés à la longueur voulue. Ébarbez les bords de coupe bruts. Ne coupez pas le tube relié à l'appareil.

Supportez le tuyau d'admission d'air à l'aide de colliers de soutien.

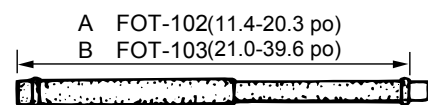


AVIS

Ne coupez pas le tuyau d'admission. Couper le tuyau d'admission peut entraîner dans le bruit.

Installation de kit d'extension

Kits et pièces d'extension



① TUYAU D'EXTENSION



⑥ ARRÊT DE TUYAU A



⑨ COLLIER DE TUYAUX



⑫ VIS A



② TUYAU D'EXTENSION (DROIT) 40 POUCES



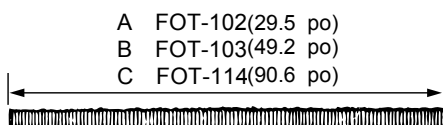
⑦ ARRÊT DE TUYAU B



⑩ DISPOSITIF MURAL



⑬ VIS B



③ TUYAU D'ADMISSION D'AIR



⑧ ARRÊT SUPÉRIEUR



⑪ ÉCROU



⑭ JOINT TORIQUE



④ COUDE

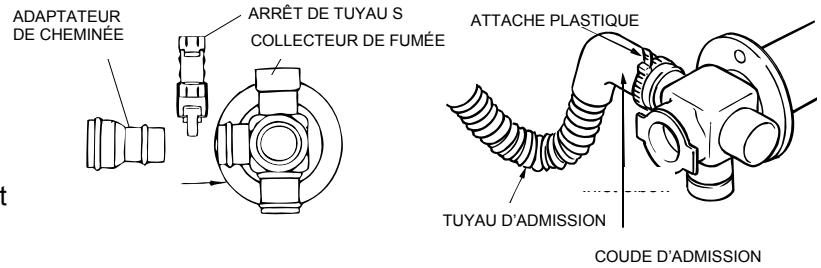


⑤ JOINT DE TUYAUX

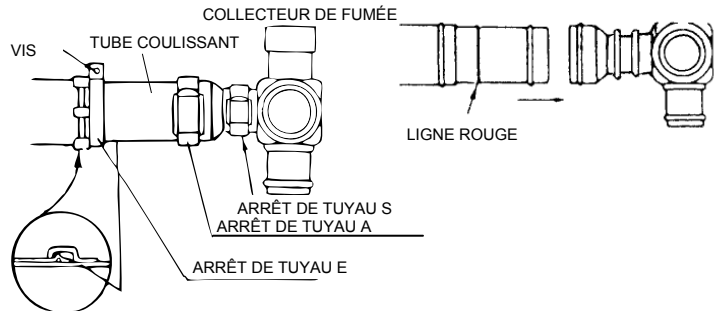
Réf.	Description	Pièce no.	FOT-102	FOT-103	FOT-114	FOT-115
1	Conduite d'évacuation (réglable) 11,4-20,3 po (290-515 mm)	FOT 111-1	1			
1	Conduite d'évacuation (réglable) 21,0-39,6 po (533-1 005 mm)	FOT 112-1		1	1	
2	Conduite d'évacuation 40 po (1 016 mm)	FOT 114-3			1	
3	Tuyau d'admission d'air 29,5 po (750 mm)	RHF 1000-130-e	1			
3	Tuyau d'admission d'air 49,2 po (1 250 mm)	RHF 1000-130-b		1		
3	Tuyau d'admission d'air 90,6 po (2 300 mm)	RHF 1000-130-F			1	
4	Coude	FOT 025-4				1
5	Joint de tuyaux	FOT 064-8	1	1	1	
6	Arrêt de tuyau A	1001F-250	1	1	2	2
7	Arrêt de tuyau B	FOT 111-6	1	1	1	
8	Arrêt supérieur	FOT 062-7	1	1	1	
9	Collier de tuyaux	FOT 064-11	2 ensembles	3 ensembles	4 ensembles	
10	Dispositif mural	FOT 064-12	2	3	4	
11	Écrou	FOT 062-10	2	3	4	
12	Vis A	ZAA0420SC	2	3	4	
13	Vis B	CP-30408	4	6	8	
14	Joint torique	M10B-4-49				1

Branchement de l'appareil

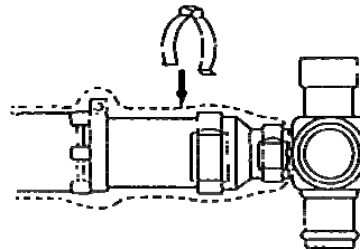
1. Fixez l'adaptateur de cheminée au collecteur de fumée avec un arrêt de tuyau S.
2. Fixez le tuyau d'admission d'air sur le collecteur de fumée. Serrez avec une attache plastique. L'entrée non utilisée est fermée avec le bouchon en caoutchouc fourni avec le collecteur.



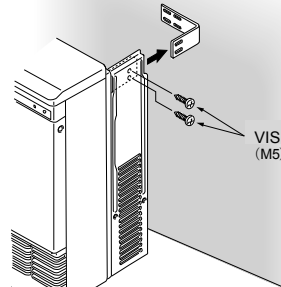
3. Branchez le tube de ventilation coulissant avec les arrêts de tuyau S et E. Le tube coulissant ne doit pas être étiré au-delà de la ligne rouge. Cette ligne rouge ne doit pas être visible après avoir glissé le tube dans la sortie de ventilation.



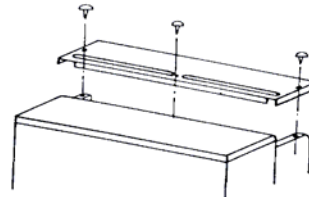
4. Glissez le manchon d'isolation jusqu'au collecteur de fumée et enfourchez le cavalier de fixation sur le manchon comme montré.



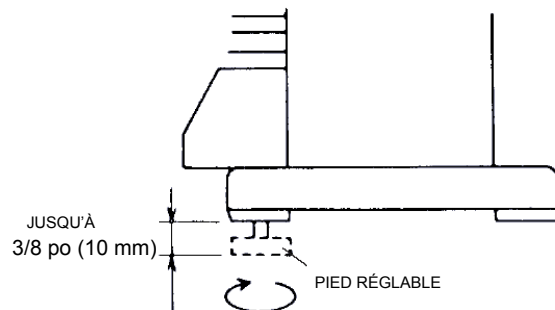
5. Fixez l'appareil sur les supports muraux, en utilisant 2 vis pour chaque support.



6. Fixez la cale d'espacement arrière avec 3 vis sur le haut de l'appareil.



7. Si nécessaire l'appareil peut être mis à niveau en utilisant les pieds réglables de dessous à gauche et à droite de l'avant.



Ajustage et Replage de la Presion de Gas

ATTENTION

Ne pas toucher aucuns autres secteurs sur le conseil de PC outre les commutateurs de « SW » pendant que le pouvoir est fourni à l'appareil. Les parties du conseil de PC sont fournies avec 120 volts.

ATTENTION

Ne pas toucher le secteur à près de l'échappement. Ce secteur devient très chaud et pourrait causer des brûlures.

ATTENTION

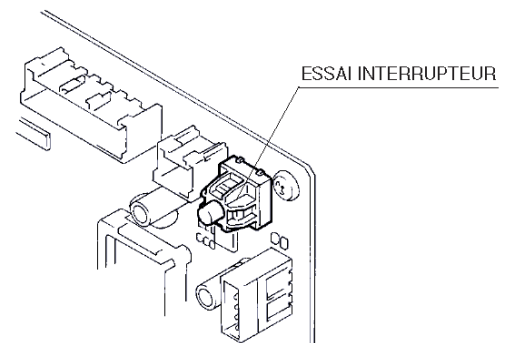
N'insérez pas les mains ou les objets dans les ventilateurs de circulation tandis qu'ils fonctionnent. Les dommages ou le défaut de fonctionnement mécanique peuvent se produire.

REMARQUE

Le régulateur a été usine pré réglée. Si la pression est incorrecte, vérifiez la pression d'approvisionnement d'abord, avant de faire tous les ajustements à l'appareil. En outre, si la basse pression de commande ne peut pas être obtenue, ajustez la vis d'approche sur la valve proportionnelle sur la pression rudement réglée et revérifiez alors les basses et élevées pressions du feu.

1. Arrêtez l'alimentation de gaz et d'énergie.
2. Retirez le taraud de test 1/8 NPT avec une clé à 6 pans de 3/16 et raccordez le manomètre de pression.
3. Allumer le gaz et l'alimentation à l'appareil. Avec l'unité dans le De la position, appuyer le SW1 commutateur en haut du conseil de PC jusqu'à ce qu'il sonne.
4. Choisir le code correct sur l'utilisation d'exposition ▲ et ▼ boutons.
5. Appuyer le SW1 commutateur pour entrer l'échelle de température dans la mémoire.

Le vide ÉCRAN de virages d'exposition et l'unité retournent au normal du mode. Pendant que programmant le feu bas correct et les hauts cadres de pression de gaz de feu, ne pas ajuster la pression de gaz sur cet appareil utilisant la vis sur la soupape de gaz.



Code	Gaz Naturel				Gaz Propane			
	A1	A2	A3	A4	L1	L2	L3	L4
Altitudes	0-2000 ft 0-610 m	2001-5200 ft 611-1585 m	5201-7700 ft 1586-2347 m	7701-10200 ft 2348-3109 m	0-2000 ft 0-610 m	2001-5200 ft 611-1585 m	5201-7700 ft 1586-2347 m	7701-10200 ft 2348-3109 m
Pression différentielle du collecteur - W.C. Bas	1.97 in (50 mm)	1.97 in (50 mm)	1.97 in (50 mm)	1.97 in (50 mm)	4.29 in (109 mm)	4.29 in (109 mm)	4.29 in (109 mm)	4.29 in (109 mm)
Pression différentielle du collecteur - W.C. Haut	3.7 in (94 mm)	3.3 in (83 mm)	3.0 in (76 mm)	2.8 in (70 mm)	10.1 in (257 mm)	9.1 in (232 mm)	8.3 in (212 mm)	7.6 in (194 mm)

Ajustage et Reqlage de la Presion de Gas

6. Appuyer l'interrupteur pour fonctionner l'appareil.
7. Appuyer le SW1 commutateur. L'affichage montrera à deux chiffres - un « 7 » et un autre numéro.
8. Appuyer le SW1 commutateur encore pour changer au mode de pression bas. Le ÉCRAN affichera «PL».
9. Comparer la pression lisant sur le manomètre aux Données Techniques, le niveau bas de pression de test divers, pour le gaz étant utilisé. Si nécessaire ajuster la pression basse de feu utilisant le ▲ et ▼ boutons. Appuyer le Economy commutateur. Appuyez deux fois sur le commutateur SW1.
10. Le ÉCRAN affichera « PH ».
11. Comparer la pression lisant sur le manomètre aux Données Techniques, la pression de test diverse - haut, pour le gaz étant utilisé. Si nécessaire ajuster l'haute pression de feu utilisant le ▲ et ▼ boutons. Appuyer le Economy commutateur.
12. L'affichage montrera à deux chiffres - un « 7 » et un autre numéro. Si l'affichage montre autre chose avec Rinnai pour assistance (1-800-621-9419).
13. Appuyer l'interrupteur encore. Le vide ÉCRAN de virages d'exposition et l'appareil retournent au normal du mode.
14. Enlever le manomètre et installer les vis de tête d'Allen. Fonctionner l'unité et
 - vérifier la séquence normale d'opération
 - visuellement inspecter la flamme
 - le contrôle pour gaze des fuites aux points de test

Remarque : Si l'affichage LED montre « HF » ou « LF » ne pas toucher les boutons ▲ et ▼ ou le bouton de l'économie. Dans ce cas pousser SW1.

La Séquence normale d'Opération

Quand vous appuyez l'interrupteur, l'exposition ÉCRAN illuminera, le ventilateur de combustion commencera à courir, et l'étincelle allumera le brûleur principal. Cet appareil de chauffage a un système d'allumage automatique. Quand le brûleur principal a lit, la lampe de combustion luira rouge, et l'étincelle arrêtera.

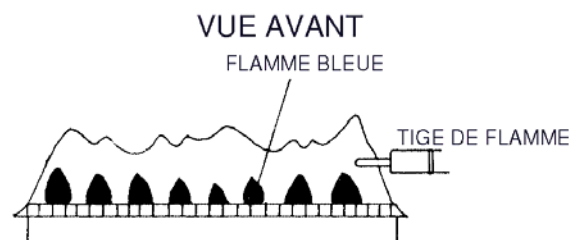
L'Inspection visuelle de Flamme

Vérifier que les flammes de brûleur fonctionnent normalement. La flamme peut être vue par la fenêtre circulaire par le louvers.

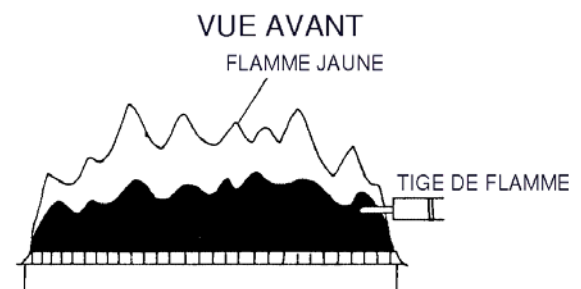
En fonctionnant normalement la flamme de brûleur doit apparaître comme long, éclaircir, le bleu, l'écurie, les raies. Le jaune flambe ou une couleur orange est anormale et l'entretien est exigé.

CONTROLE VISUEL

SATISFAISANT



INSATISFAISANT



Assemblée finale

1. Installer le panneau de devant et la couverture de fond.
2. Placer la plaque de conversion (l'étiquette) sur la couverture de devant.

À LIRE AVANT DE METTRE EN MARCHÉ, POUR VOTRE SÉCURITÉ



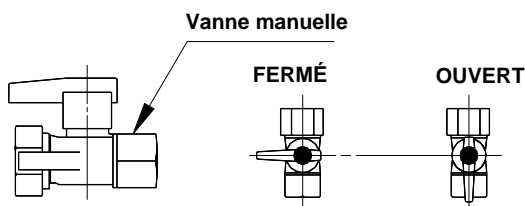
AVERTISSEMENT

Si vous ne suivez pas ces instructions à la lettre, il peut en résulter incendie ou explosion, entraînant dégâts et blessures sérieuses ou mortelles.

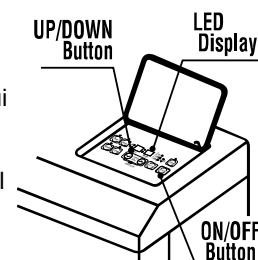
- A. Cet appareil ne comporte pas de veilleuse. Il est équipé d'un dispositif d'allumage qui allume automatiquement le brûleur. Ne tentez pas d'allumer le brûleur manuellement.
- B. **AVANT DE FAIRE FONCTIONNER**, reniflez tout autour de l'appareil pour déceler une odeur de gaz. Reniflez près du plancher car certains gaz sont plus lourds que l'air et peuvent s'accumuler au niveau du sol.
- QUE FAIRE SI VOUS SENTEZ UNE ODEUR DE GAZ
- Ne tentez pas d'allumer d'appareil.
 - Ne touchez à aucun interrupteur, ni à aucun téléphone de trouvant dans le bâtiment.
 - Appelez immédiatement votre fournisseur de gaz
- depuis un voisin et suivez ses instructions.
- Si vous ne pouvez pas le joindre, appelez le service des incendies.
- C. Ne poussez ou tournez la manette d'admission du gaz qu'à la main, n'utilisez jamais d'outil. Si la manette reste coincée, n'essayez pas de la réparer, appelez un technicien de dépannage qualifié. Le fait de forcer ou de tenter une réparation vous-même peut amener un incendie ou une explosion.
- D. N'utilisez plus cet appareil s'il a été plongé dans l'eau même partiellement. Faites inspecter l'appareil par un technicien qualifié et remplacez toute pièce du système de contrôle et toute commande qui ont été plongées dans l'eau.

INSTRUCTIONS DE DÉMARRAGE

- **STOP !** Ne poursuivez pas si vous n'avez pas bien lu la section qui précède.
1. Positionnez le thermostat sur le réglage de consigne le plus bas possible.
 2. Coupez l'alimentation électrique de l'appareil par le bouton marche/arrêt (ON/OFF). Localisez la vanne manuelle gaz pouvant être trouvés sur l'arrière de l'appareil de chauffage.
 3. Repérez le robinet de coupure manuelle de gaz sur . Tournez-le dans le sens horaire jusqu'à la fermeture totale (position OFF).
 4. Attendez cinq (5) minutes pour laisser dissiper toute présence de gaz, puis sentez pour vérifier qu'il n'y en a pas, en particulier au niveau du plancher. Si vous



- sentez le gaz, ARRÊTEZ la procédure et reportez-vous au point B des informations de sécurité précédentes. Sinon passez à l'étape suivante.
5. Ouvrez l'arrivée de gaz en tournant la vanne manuel dans le sens antihoraire (position ON).
 6. Rétablissez l'alimentation électrique de l'appareil par le bouton marche/arrêt (ON/OFF).
 7. Positionnez le thermostat à la position de consigne de température voulue.
 8. Le voyant indicateur de combustion s'éclaire en rouge quand le brûleur est allumé.
 9. Mais clignote si le brûleur ne peut pas être allumé.
 10. Si l'appareil ne fonctionne pas, suivez les instructions qui suivent pour couper le gaz et appelez votre technicien de service. Se reporter au manuel pour toute autre information.



COUPURE DE L'ALIMENTATION EN GAZ DE L'APPAREIL

1. Positionnez le thermostat sur le réglage de consigne le plus bas possible.
2. Coupez l'alimentation électrique de l'appareil par le bouton marche/arrêt (ON/OFF).
3. Repérez le robinet de coupure manuelle de gaz. Tournez-le dans le sens horaire jusqu'à la fermeture totale (position OFF).

REMARQUE : Le ventilateur va continuer de tourner jusqu'au refroidissement de l'appareil. Ne coupez pas l'appareil en débranchant la fiche de la prise secteur. Gardez le brûleur et le compartiment de contrôle propres. Reportez-vous aux instructions d'installation et d'utilisation.

Service à la clientèle

Informations de garantie

L'installateur est responsable de l'installation correcte du chauffage.

Veillez compléter le questionnaire ci-dessous à garder dans vos archives :

Matériel acheté chez : _____

Adresse : _____ Téléphone : _____

Date de l'achat : _____

Référence de modèle : _____

N° de série : _____

Installé par : _____ N° de licence de l'installateur : _____

Adresse : _____ Téléphone : _____

Date de l'installation : _____

Garantie limitée

Appareil de chauffage mural au gaz à ventilation directe

Qu'est-ce qui est couvert?

Cette garantie couvre tous défauts dus aux matériaux et à la main-d'œuvre, dans les termes décrits plus loin. Elle s'applique à l'acheteur d'origine et s'étend aux éventuels propriétaires suivants mais uniquement quand le produit reste sur le site de son installation d'origine. Cette garantie dure après la première installation du produit mais cesse si le produit est déplacé et réinstallé ailleurs.

Quelle est la durée de cette couverture?

Partie	Période de couverture
Échangeur thermique	10 ans à partir de la date d'achat
Toutes les autres pièces	5 ans à partir de la date d'achat
Main-d'œuvre dans des limites raisonnables	2 ans à partir de la date d'achat

Quel est l'engagement de Rinnai?

Rinnai réparera toute partie ou composant défectueux du fait des matériaux ou de la main-d'œuvre dans les conditions qui suivent. Rinnai paiera dans les limites du raisonnable le coût de main-d'œuvre associé à la réparation ou au remplacement de toute partie ou composant. Toutes les pièces à réparer doivent être des pièces Rinnai d'origine. Toutes les réparations et tous les remplacements doivent être effectués par un dépanneur individuel ou une société de dépannage ayant reçu l'autorisation de Rinnai.

Garantie limitée (Suite)

Le remplacement du produit ne peut être autorisé que par Rinnai. La société Rinnai ne permet à aucune personne ou société d'assumer pour elle toute obligation ou responsabilité relative au remplacement d'un produit. Si Rinnai détermine que la réparation d'un produit n'est pas possible, Rinnai le remplacera avec un produit comparable, à sa discrétion. Si un composant ou produit retourné à Rinnai est trouvé sans défauts relatifs aux matériaux ou à la main-d'œuvre, ou endommagé par une installation incorrecte ou durant le transport de retour, la demande d'application de garantie pour produit, pièces et main-d'œuvre sera rejetée.

Comment obtenir le service sous garantie?

Vous devez contacter un prestataire de service qualifié/autorisé pour la réparation d'un produit dans le cadre de cette garantie. Pour obtenir le nom d'un tel dépanneur contactez votre point d'achat, visitez le site Web de Rinnai (www.rinnai.us) appelez Rinnai au 1-800-621-9419 ou écrivez à Rinnai, 103 International Drive, Peachtree City, Georgia 30269, USA.

La preuve de votre achat sera exigée. Vous pouvez montrer votre facture ou ticket de caisse avec date que vous aurez conservé, ou en enregistrant le produit dans les 30 jours suivant son achat. Pour le faire veuillez aller sur le site www.rinnairegistration.com. Pour ceux qui n'ont pas accès à Internet, veuillez appeler au 1-866-RINNAI1 (745-6241). La réception de l'enregistrement par Rinnai constituera la preuve d'achat du produit. Cependant l'enregistrement n'est pas une obligation pour valider cette garantie.

Qu'est-ce qui n'est pas couvert?

Cette garantie ne couvre pas les pannes ou difficultés de fonctionnement dues à :

- accident, abus, mauvaise utilisation
- altération
- application inadéquate
- cas de force majeure
- installation incorrecte (comme sans y être limité dommages par condensat, mauvaise ventilation, type ou pression de gaz incorrects)
- conversion incorrecte (incluant des conversions pour ajustement d'inventaire)
- entretien inadapté (comme sans y être limité un blocage de la ventilation)
- dimensionnement incorrect
- toute cause autre que relative aux matériaux et à la main-d'œuvre de fabrication

Cette garantie ne s'applique pas à un produit dont le numéro de série ou la date de fabrication auraient été effacés.

Limitation des garanties

Personne n'est autorisé à donner d'autres garanties au nom de Rinnai America Corporation. Sauf pour ce qui est expressément décrit ici, il n'y a pas d'autres garanties, expresses ou implicites, incluant sans y être limité les garanties de valeur marchande ou d'adéquation pour une finalité spécifique, qui s'étendrait au-delà de la description de garantie de ce document. De plus, Rinnai ne peut pas être tenu pour responsable des dommages spéciaux, accessoires, indirects ou consécutifs, ou de dommages autres similaires qui pourraient survenir, incluant perte de profits, dommage, dommages corporels ou dégâts matériels, perte de jouissance, désagréments, ou responsabilité découlant d'installation, entretien ou utilisation inappropriés. Certaines provinces ne permettant pas l'exclusion ou la limitation des dommages accessoires ou consécutifs, la limitation énoncée précédemment peut ne pas s'appliquer à votre cas.

Toutes garanties implicites de valeur marchande ou d'adéquation pour une finalité spécifique prises en compte selon la législation de l'état sont limitées en durée à la période de couverture fournie par cette garantie limitée, sauf si la période prévue par cette législation de province est plus courte. Certaines provinces ne permettant pas de limitations sur la durée de validité des garanties implicites, la limitation énoncée précédemment peut ne pas s'appliquer à votre cas.

Cette garantie vous donne des droits légaux spécifiques, et vous pouvez aussi avoir d'autres droits qui varient d'une province à l'autre.

Ask about **Rinnai**[®]

Rinnai's other fine products

EXPERIENCE OUR INNOVATION™



Tankless Water Heaters

- Residential and Commercial Applications
- Continuous Hot Water
- ENERGY STAR[®] qualified models
- Up to 9.8 GPM
- Internal or External Installation
- Digital Temperature Control



Direct Vent Furnaces

- High Efficiency
- Cool-to-the-touch Cabinet
- Vent Terminal A Included
- Blower Included



Direct-Vent Fireplace, RHFE-750ETRA

- Up to 83% AFUE Energy Efficiency
- Zero-Clearance Installation
- Available in Four Options of Fronts
- Remotes and Fan Included
- Gas Conversion Kit Available



Hydronic Furnace

- Designed for Use with Rinnai Systems
- Domestic Hot Water Priority
- Optional Programmable Thermostat
- Zero Clearance to Combustibles
- Accommodates Standard Cased-Coils



Boilers

- Residential and Commercial Applications
- ENERGY STAR[®] qualified models
- Up to 96.5% AFUE efficiency
- Compact wall mounted design
- ASME accredited models



Condensing Tankless Water Heaters

- Residential and Commercial Applications
- ENERGY STAR[®] qualified models
- Up to 95% thermal efficiency
- Internal or External Installation
- Pair up with the Rinnai Air Handler for efficient home heating



Rinnai Impression - Outdoor Fireplace

- Options include one-sided open, two-sided open, and freestanding.
- No electrical requirements
- Propane or convertible to natural gas with conversion kit provided
- Modular construction offers design flexibility

Register your product at
www.rinnairegistration.com
 or call 1-866-RINNAI1 (746-6241)

For information on Rinnai's products contact
 Rinnai America Corporation
 103 International Drive
 Peachtree City, GA 30269
 TOLL FREE: 1-800-621-9419
 FAX: 678-829-1666
www.rinnai.us



104177