

# 300 Compact Pipe and Bolt Threading Machine



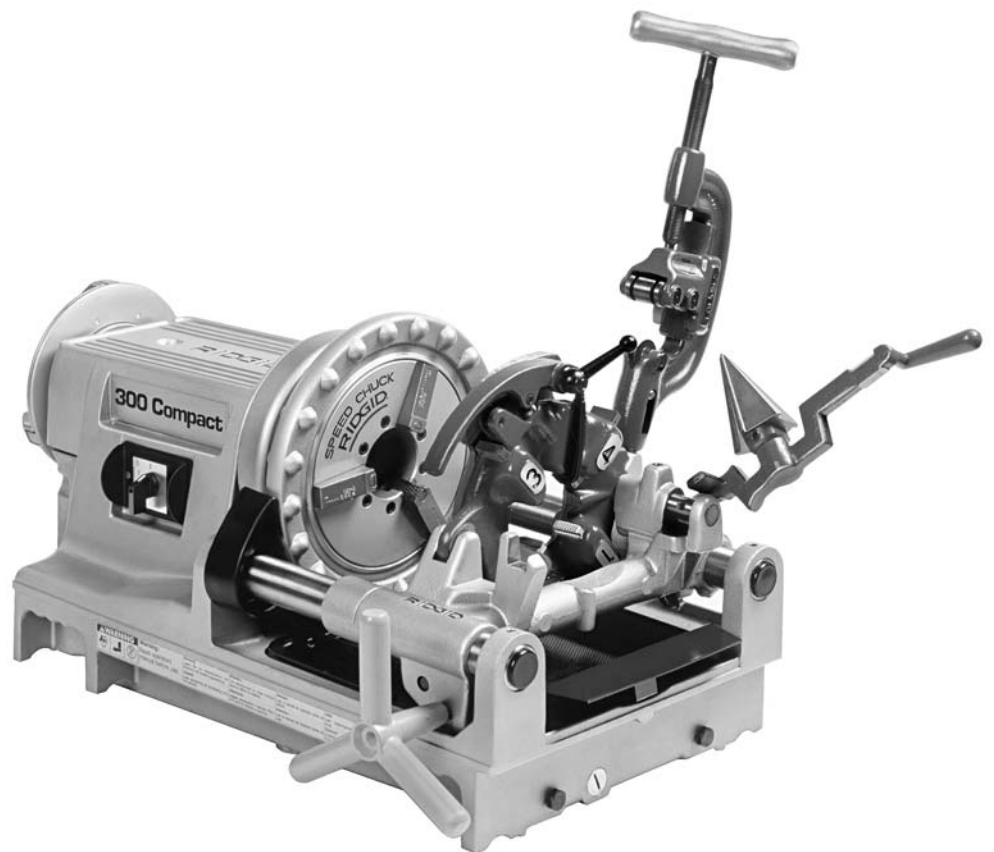
**⚠ WARNING!**

Read this Operator's Manual carefully before using this tool. Failure to understand and follow the contents of this manual may result in electrical shock, fire and/or serious personal injury.

## Table of Contents

<b>Recording Form for Machine Serial Number</b> .....	1
<b>General Safety Information</b>	
Work Area.....	2
Electrical Safety.....	2
Personal Safety.....	2
Tool Use and Care.....	3
Service.....	3
<b>Specific Safety Information</b>	
Foot Switch Safety.....	3
Machine Safety.....	3
<b>Description, Specifications and Accessories</b>	
Description.....	4
Specifications.....	4
<b>Machine Assembly</b> .....	5
<b>Machine Inspection</b> .....	5
<b>Machine and Work Area Set-Up</b> .....	6
<b>Operation Using Machine Mounted Tools</b>	
Installing Pipe.....	7
Cutting Pipe With No. 360 Cutter.....	7
Reaming Pipe With No. 344 Reamer.....	8
Threading Pipe Or Rod With Quick-Opening, Self-Opening Or Semi-Automatic Die Head.....	8
Removing Pipe.....	9
Installing Dies in Quick-Opening Die Head (Right Hand & Left Hand).....	9
Installing Dies in Self-Opening Die Head (Right Hand Only).....	9
Installing Dies in Semi-Automatic Die Head.....	10
Checking Thread Length.....	10
916 Roll Groover Adapter Bracket.....	10
<b>Accessories</b> .....	11
<b>Maintenance Instructions</b>	
Lubrication.....	12
Oil System Maintenance.....	12
Jaw Insert Replacement.....	13
Motor Brush Replacement.....	13
<b>Machine Storage</b> .....	13
<b>Service and Repair</b> .....	13
<b>Wiring Diagrams</b> .....	14-15
<b>Lifetime Warranty</b> .....	Back Cover

# 300 Compact Pipe and Bolt Threading Machine



## 300 Compact Pipe and Bolt Threading Machine

Record Serial Number below and retain product serial number which is located on nameplate.

Serial  
No.

--	--

## General Safety Information

**WARNING!** Read and understand all instructions. Failure to follow all instructions listed below may result in electric shock, fire, and/or serious personal injury.

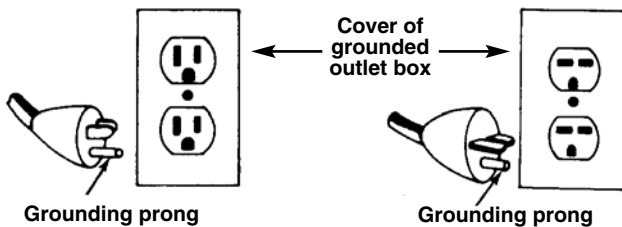
### SAVE THESE INSTRUCTIONS!

#### Work Area

- **Keep your work area clean and well lit.** Cluttered benches and dark areas invite accidents.
- **Do not operate tools in explosive atmospheres, such as in the presence of flammable liquids, gases or dust.** Tools create sparks which may ignite the dust or fumes.
- **Keep by-standers, children, and visitors away while operating a tool.** Distractions can cause you to lose control.
- **Keep floors dry and free of slippery materials such as oil.** Slippery floors invite accidents.
- **Guard or barricade the area when work piece extends beyond machine.** A guard or barricade that provides a minimum of three (3) feet clearance around the work piece will reduce the risk of entanglement.

#### Electrical Safety

- **Grounded tools must be plugged into an outlet, properly installed and grounded in accordance with all codes and ordinances. Never remove the grounding prong or modify the plug in any way. Do not use any adapter plugs. Check with a qualified electrician if you are in doubt as to whether the outlet is properly grounded.** If the tools should electrically malfunction or break down, grounding provides a low resistance path to carry electricity away from the user.



- **Avoid body contact with grounded surfaces.** There is an increased risk of electrical shock if your body is grounded.
- **Do not expose electrical tools to rain or wet conditions.** Water entering a tool will increase the risk of electrical shock.

- **Do not abuse cord. Never use the cord to pull the plug from an outlet. Keep cord away from heat, oil, sharp edges or moving parts. Replace damaged cords immediately.** Damaged cords increase the risk of electrical shock.
- **When operating a tool outside, use an outdoor extension cord marked “W-A” or “W”.** These cords are rated for outdoor use and reduce the risk of electrical shock.
- **Use only three-wire extension cords which have three-prong grounding plugs and three-pole receptacles which accept the tool’s plug.** Use of other extension cords will not ground the tool and increase the risk of electrical shock.
- **Use proper extension cords.** (See chart.) Insufficient conductor size will cause excessive voltage drop and loss of power.

Minimum Wire Gauge for Extension Cord			
Nameplate Amps	Total Length (in feet)		
	0 – 25	26 – 50	51 – 100
0 – 6	18 AWG	16 AWG	16 AWG
6 – 10	18 AWG	16 AWG	14 AWG
10 – 12	16 AWG	16 AWG	14 AWG
12 – 16	14 AWG	12 AWG	NOT RECOMMENDED

- **Keep all electric connections dry and off the ground. Do not touch plugs or tool with wet hands.** Reduces the risk of electrical shock.

#### Personal Safety

- **Stay alert, watch what you are doing and use common sense when operating a power tool. Do not use tool while tired or under the influence of drugs, alcohol, or medications.** A moment of inattention while operating power tools may result in serious personal injury.
- **Dress properly. Do not wear loose clothing or jewelry. Contain long hair. Keep your hair, clothing, and gloves away from moving parts.** Loose clothes, jewelry, or long hair can be caught in moving parts.
- **Avoid accidental starting. Be sure switch is OFF before plugging in.** Plugging tools in that have the switch ON invites accidents.
- **Remove adjusting keys before turning the tool ON.** A wrench or a key that is left attached to a rotating part of the tool may result in personal injury.
- **Do not overreach. Keep proper footing and balance at all times.** Proper footing and balance enables better control of the tool in unexpected situations.

- **Use safety equipment.** Always wear eye protection. Dust mask, non-skid safety shoes, hard hat or hearing protection must be used for appropriate conditions.

### Tool Use and Care

- **Do not use tool if switch does not turn it ON or OFF.** Any tool that cannot be controlled with the switch is dangerous and must be repaired.
- **Disconnect the plug from the power source before making any adjustments, changing accessories, or storing the tool.** Such preventive safety measures reduce the risk of starting the tool accidentally.
- **Store idle tools out of the reach of children and other untrained persons.** Tools are dangerous in the hands of untrained users.
- **Check for misalignment or binding of moving parts, breakage of parts, and any other condition that may affect the tool's operation. If damaged, have the tool serviced before using.** Many accidents are caused by poorly maintained tools.
- **Use only accessories that are recommended by the manufacturer for your model.** Accessories that may be suitable for one tool may become hazardous when used on another tool.
- **Keep handles dry and clean; free from oil and grease.** Allows for better control of the tool.

### Service

- **Tool service must be performed only by qualified repair personnel.** Service or maintenance performed by unqualified repair personnel could result in injury.
- **When servicing a tool, use only identical replacement parts. Follow instructions in the Maintenance Section of this manual.** Use of unauthorized parts or failure to follow maintenance instructions may create a risk of electrical shock or injury.

## Specific Safety Information

### **▲ WARNING**

**Read this operator's manual carefully before using the 300 Compact Threading Machine. Failure to understand and follow the contents of this manual may result in electrical shock, fire and/or serious personal injury.**

Call the Ridge Tool Company, Technical Service Department at (800) 519-3456 if you have any questions.

## Foot Switch Safety

### **▲ WARNING**

**Using a threading machine without a foot switch increases the risk of serious injury. A foot switch provides better control by letting you shut off the motor by removing your foot. If clothing should become caught in the machine, it will continue to wind up, pulling you into the machine. Because the machine has high torque, the clothing itself can bind around your arm or other body parts with enough force to crush or break bones.**

## Machine Safety

- **Threading Machine is made to thread and cut pipe or bolt and to power roll grooving equipment. Follow instructions on proper use of this machine. Do not use for other purposes such as drilling holes or turning winches.** Other uses or modifying this power drive for other applications may increase the risk of serious injury.
- **Secure machine to bench or stand. Support long heavy pipe with pipe supports.** This practice will prevent tipping.
- **Do not wear gloves or loose clothing when operating machine. Keep sleeves and jackets buttoned. Do not reach across the machine or pipe.** Clothing can be caught by the pipe or machine resulting in entanglement and serious injury.
- **Operate machine from side with REV/OFF/FOR switch.** Eliminates need to reach over the machine.
- **Do not use this machine if the foot switch is broken or missing.** Foot switch is a safety device to prevent serious injury.
- **Keep hands away from rotating pipe and fittings. Stop the machine before wiping pipe threads or screwing on fittings. Allow the machine to come to a complete stop before touching the pipe or machine chucks.** This practice will prevent entanglement and serious injury.
- **Do not use this machine to make or break fittings.** This practice is not an intended use of the machine and can result in serious injury.
- **Tighten chuck handwheel and engage rear centering device on the pipe before turning on the machine.** Prevents oscillation of the pipe.
- **Keep covers in place. Do not operate the machine with covers removed.** Exposure to moving parts may result in entanglement and serious injury.

- Lock foot switch when machine is not in use (Figure 1). Avoids accidental starting.

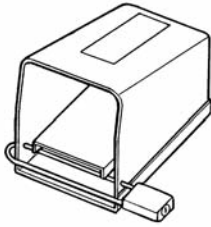


Figure 1 – Locked Foot Switch

## Description, Specifications and Standard Equipment

### Description

The RIDGID Model 300 Compact Threading Machine is an electric motor-driven machine which centers and chucks pipe, conduit and rod (bolt stock) and rotates it while threading, cutting and reaming operations are performed. Left-hand or right-hand rotation can be selected with the FOR/OFF/REV switch. Threading dies are mounted in self-opening or quick-opening die heads. An automatic oiling system is provided to flood the work.

The RIDGID Model 300 Compact Threading Machine can also be used as a power source for roll grooving equipment. Designed to attach to the carriage rail of the Threading Machine, the roll grooving equipment forms standard roll grooves on a variety of pipe sizes and materials.

### Specifications

- Threading Capacity ..... Pipe 1/8" – 2"  
Bolt 1/4" – 2"
- Chuck ..... Speed Grip Chuck with Replaceable Jaw Inserts
- Rear Centering Device ..... Scroll Operated, rotates with chuck
- Operating Speed ..... 38 RPM or 52 RPM
- Motor:
  - Type ..... Universal
  - Horsepower ..... 1/2 HP
  - Volts ..... 120V Single Phase AC  
25-60 HZ  
(230V On Request)
  - Amps ..... 15 amps (38 RPM)  
18 amps (52 RPM)

- Controls ..... Rotary Type FOR/OFF/REV Switch and ON/OFF Foot Switch
- Pump ..... Gerotor-type
- Cutter ..... No. 360 – Roll-Type Cut-off, Self-Centering, Full Floating Pipe – 1/8" through 2"  
Bolt – 1/4" through 1"
- Reamer ..... No. 344 5-Flute Cone, Right Hand, 1/8" through 2"
- Weight ..... 115 lbs.

### Standard Equipment

#### Model No. 300 Compact Threading Machine with Foot Switch

- 1 – No. 811-A Universal Quick-Opening Die Head
- 1 – No. 344 Reamer
- 1 – No. 360 Cutter
- 1 – Set 1/2" – 3/4" Universal Alloy Dies
- 1 – Set 1" – 2" Universal Alloy Dies
- 1 – Gallon Nu-Clear Oil

### Machines

Catalog No.	Model No.	Description 115V 25-60 Hz	RPM	Volt
66947	300 Compact	1/2" – 2" NPT	38	115
67182	300 Compact Kit	1/2" – 2" NPT – includes Model 250 Folding Wheel Stand	38	115
73447	300 Compact	1/2" – 2" NPT, 115V, 25-60Hz	52	115
75602	300 Compact Kit	1/2" – 2" NPT, 115V, 25-60Hz – includes 250 Folding Wheel Stand	52	115
58752	300 Compact	1/2" – 2" BSPT, 230V, 25-60Hz (Aust. Only)	38	230
58757	300 Compact	1/2" – 2" NPT, 230V, 25-60Hz (Export Only)	38	230

All machines have 25-60 Hz Universal 1/2 HP single-phase motors.

NOTE! NPT Dies are for NPT Die Heads only. BSPT Dies are for BSPT Die Heads only. Please use Catalog Item Nos. when ordering. High-Speed Dies are recommended for use with machines having an RPM of 52 or more.

## Machine Assembly

### ⚠ WARNING

To prevent serious injury, proper assembly of the Threading Machine is required. The following procedures should be followed:

### Mounting Machine To Stand

The machine is designed to mount on the four stands listed below.

#### Machine Stands

Model No.	Description
250	Folding Wheel Stand
100A	Universal Leg & Tray Stand
150A	Universal Wheel & Tray Stand
200A	Universal Wheel & Cabinet Stand

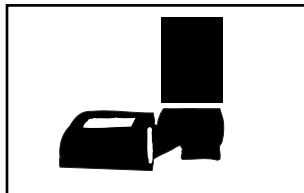
### Mounting Machine To Bench

1. If a stand is not used, the machine should be mounted to a stable bench. To mount the unit on a bench, use four (4) 1/4" bolts in holes provided at each corner of machine base.

**⚠ WARNING** Failure to mount the threading machine to a stable stand or bench may result in tipping and serious injury.

## Machine Inspection

### ⚠ WARNING



To prevent serious injury, inspect your Threading Machine. The following inspection procedures should be performed on a daily basis:

1. Make sure Threading Machine is unplugged and the directional switch is set to the OFF position (*Figure 2*).
2. Clean the speed chuck jaws with a wire brush.
3. Inspect the jaw inserts for excessive wear. Refer to the Maintenance Instructions if they need to be replaced.

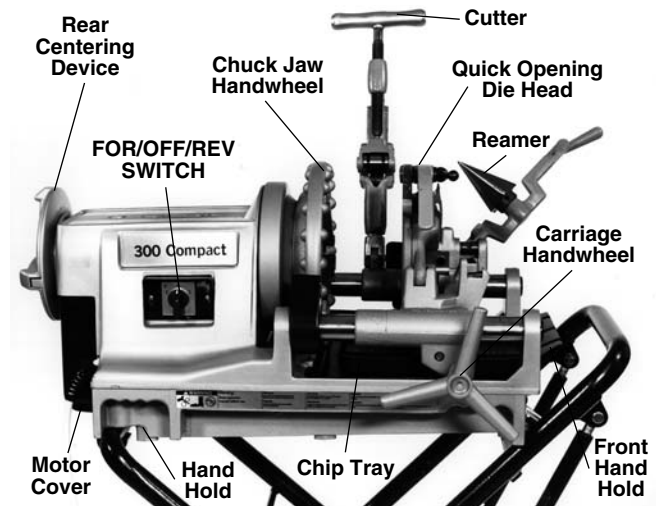


Figure 2 – No. 300 Compact Threading Machine

**NOTE!** For plastic and coated work pieces, special jaw inserts (No. 97365) should be used to prevent damaging the workpiece.

4. Make sure the foot switch is present and attached to the Threading Machine.

**⚠ WARNING** Do not operate the Threading Machine without a foot switch.

5. Inspect the power cord and plug for damage. If the plug has been modified, is missing the grounding pin or if the cord is damaged, do not use the Threading Machine until the cord has been replaced.
6. Inspect the Threading Machine for any broken, missing, misaligned or binding parts as well as any other conditions which may affect the safe and normal operation of the machine. If any of these conditions are present, do not use the Threading Machine until any problem has been repaired.
7. Lubricate the Threading Machine if necessary according to the Maintenance Instructions.
8. Use tools and accessories that are designed for your Threading Machine and meet the needs of your application. The correct tools and accessories allow you to do the job successfully and safely. Accessories designed for use with other equipment may be hazardous when used with this Threading Machine.
9. Clean any oil, grease or dirt from all handles and controls. This reduces the risk of injury due to a tool or control slipping from your grip.

Inspect the cutting edges of your tools and dies. If necessary, have them replaced prior to using the Threading Machine. Dull or damaged cutting tools and dies can lead to binding, tool breakage and poor quality threads.

Clean metal shavings and other debris from the chip tray of the Threading Machine. Check the level and quality of the thread cutting oil. Replace or add oil if necessary. Reservoir in the base will hold approximately five (5) quarts of thread cutting oil.

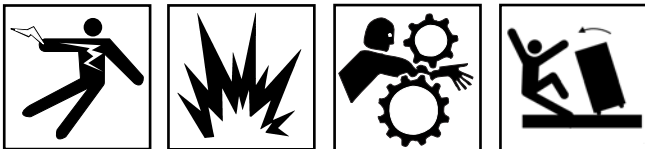
**NOTE!** If using 250 Folding Stand, be sure to remove oil seal pressure plate.

**NOTE!** Thread cutting oil lubricates and cools the threads during the threading operation. A dirty or poor grade cutting oil can result in poor thread quality.

**NOTE!** To drain dirty oil and properly maintain the oil system, refer to the “Maintenance Instructions”.

## Machine and Work Area Set-Up

### **▲ WARNING**



**To prevent serious injury, proper set-up of the machine and work area is required. The following procedures should be followed to set-up the machine.**

1. Locate a work area that has the following:
  - Adequate lighting
  - No flammable liquids, vapors or dust that may ignite.
  - Grounded electrical outlet
  - Clear path to the electrical outlet that does not contain any sources of heat or oil, sharp edges or moving parts that may damage electrical cord.
  - Dry place for machine and operator. Do not use the machine while standing in water.
  - Level ground
2. Clean up the work area prior to setting up any equipment. Always wipe up any oil that may have splashed or dripped from the machine to prevent slips and falls.
3. If the workpiece extends more than four (4) feet beyond the Threading Machine, use one or more pipe stands to prevent tipping and the oscillation of the pipe.
4. If the workpiece extends beyond the Threading Machine, set-up guards or barricades to create a minimum of three (3) feet of clearance around the Threading Machine and workpiece. This “safety zone” prevents others from accidentally contacting the machine

or workpiece and either causing the equipment to tip or becoming entangled in the rotating parts.

5. If necessary, fill the reservoir with RIDGID Thread Cutting Oil.
6. Make sure FOR/OFF/REV switch is in the OFF position.
7. Position the foot switch so that the operator can safely control the machine, tools and workpiece. It should allow the operator to do the following:
  - Stand facing the directional switch.
  - Use the foot switch with his left foot.
  - Have convenient access to the directional switch, tools and chucks without reaching across the machine.

Machine is designed for one person operation.

8. Plug the Threading Machine into the electrical outlet making sure to position the power cord along the clear path selected earlier. If the power cord does not reach the outlet, use an extension cord in good condition.

### **▲ WARNING**

**To avoid electrical shock and electrical fires, never use an extension cord that is damaged or does not meet the following requirements:**

- **The cord has a three-prong plug similar to shown in Electrical Safety section.**
- **The cord is rated as “W” or “W-A” if being used outdoors.**
- **The cord has sufficient wire thickness (14 AWG below 25’/12 AWG 25’-50’). If the wire thickness is too small, the cord may overheat, melting the cord’s insulation or causing nearby objects to ignite.**

**▲ WARNING** To reduce risk of electrical shock, keep all electrical connections dry and off the ground. Do not touch plug with wet hands.

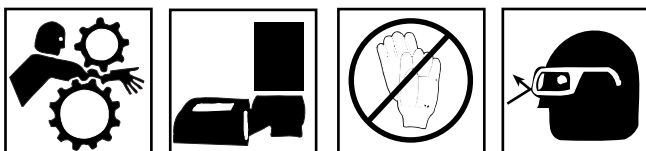
9. Check the Threading Machine to insure it is operating properly.
  - Flip the directional switch to FOR (Forward). Press and release the foot switch. Check that the Threading Machine rotates in a counterclockwise direction as you are facing the front chuck. Have the Threading Machine serviced if it rotates in the wrong direction or if the foot switch does not control its stopping or starting.



- Depress and hold the foot switch. Inspect the moving parts for misalignment, binding, odd noises or any other unusual conditions that may affect the safe and normal operation of the machine. If such conditions are present, have the machine serviced.
- Flip the directional switch to REV (Reverse). Press and release the foot switch. Check that that Threading Machine rotates in a clockwise direction as you are facing the chuck.
- Release the foot switch and flip the directional switch to OFF.

## Operation Using Machine-Mounted Tools

### ⚠ WARNING



**Do not wear gloves or loose clothing when operating Threading Machine. Keep sleeves and jackets buttoned. Do not reach across the machine or pipe.**

**Do not use this Threading Machine if the foot switch is broken or missing. Always wear eye protection to protect eyes from dirt and other foreign objects.**

**Keep hands away from rotating pipe and fittings. Stop the machine before wiping pipe threads or screwing on fittings. Allow the machine to come to a complete stop before touching the pipe or machine chucks.**

**Do not use this machine to “make-on” or “break off” fittings. This practice is not an intended use of this Threading Machine.**

### Installing Pipe In Threading Machine

1. Check to insure the cutter, reamer and die head are swung to UP position.
2. Mark the pipe at the desired length if it is being cut to length.
3. Insert the pipe into the Threading Machine so that the end to be worked or the cutting mark is located about 12 inches to the front of the speed chuck jaws.
4. Insert workpieces less than 2 feet long from the front of the machine. Insert longer pipes through either end so that the longer section extends out beyond the rear of the Threading Machine.

**⚠ WARNING** To avoid equipment tip-overs, position the pipe supports under the workpiece.

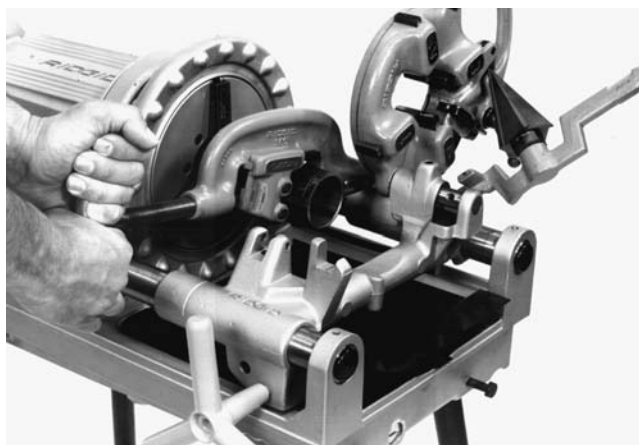
5. Tighten the rear centering device around the pipe by using a counterclockwise rotation of the handwheel at the rear of the Threading Machine. This prevents movement of the pipe that can result in poor thread quality.
6. Secure the pipe by using repeated and forceful counterclockwise spins of the speed chuck handwheel at the front of the Threading Machine. This action “hammers” the jaws tightly around the pipe.

### Cutting Pipe With No. 360 Cutter

1. Swing reamer and die head to UP position.
2. Move pipe cutter DOWN onto pipe and move carriage with handwheel to line up cutter wheel with mark on pipe.
3. Tighten cutter feed screw handle on pipe keeping wheel aligned with the pipe.
4. Assume the correct operating posture.

**⚠ WARNING** This will allow you to maintain proper balance and to safely keep control of the machine and tools.

- Be sure you can quickly remove your foot from the foot switch.
- Stand facing the directional switch.
- Be sure you have convenient access to directional switch, tools and chucks.
- Do not reach across the machine or workpiece.



**Figure 3 – Cutting Pipe With 300 Compact Threading Machine**

5. Flip the directional switch to FOR (Forward).
6. Grasp the pipe cutter’s feedscrew handle with both hands (*Figure 3*).
7. Depress and hold down the foot switch with the left foot.

8. Tighten the feedscrew handle slowly and continuously until the pipe is cut. Do not force the cutter into the workpiece.
9. Release the foot switch and remove your foot from the housing.
10. Swing pipe cutter back to the UP position.

**Reaming Pipe With No. 344 Reamer**

1. Move reamer arm into DOWN position.
2. Check the directional switch to insure it is in the FOR (Forward) position. Depress and hold the foot switch down with left foot.
3. Position reamer into pipe and complete reaming by exerting pressure on handwheel (Figure 4).

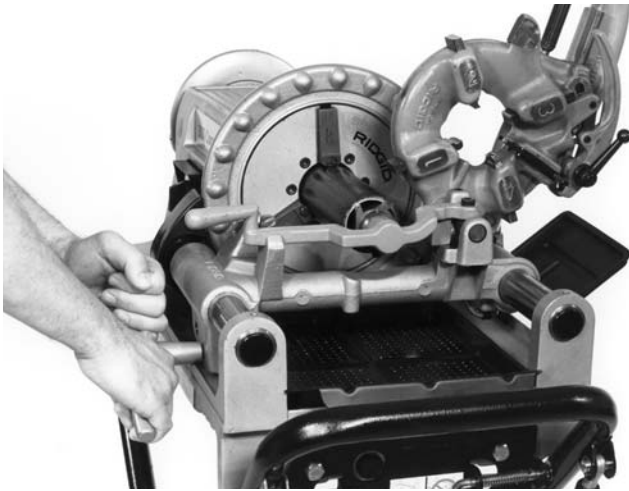


Figure 4 – Reaming Pipe With No. 344 Reamer

4. Retract reamer and return reamer to UP position.
5. Release foot switch and remove your foot from the housing.

**Threading Pipe or Rod With Quick-Opening, Self-Opening or Semi-Automatic Die Head**

1. Install die set. Refer to die installation procedure.
2. Swing cutter and reamer to UP position.
3. Swing die head to DOWN position with throwout lever set to CLOSE position.
4. Check directional switch to insure it is in the FOR (Forward) position. Depress and hold the foot switch down with left foot.

NOTE! 300 Compact Machines have an automatic oiling system that brings oil to the work through the die head. Oil flow can be adjusted with oil flow control valve located on back side of carriage (Figure 5).



Figure 5 – Oil Flow Control

5. Turn carriage handwheel to bring dies against end of pipe. Slight pressure on handwheel will start dies (Figure 6).

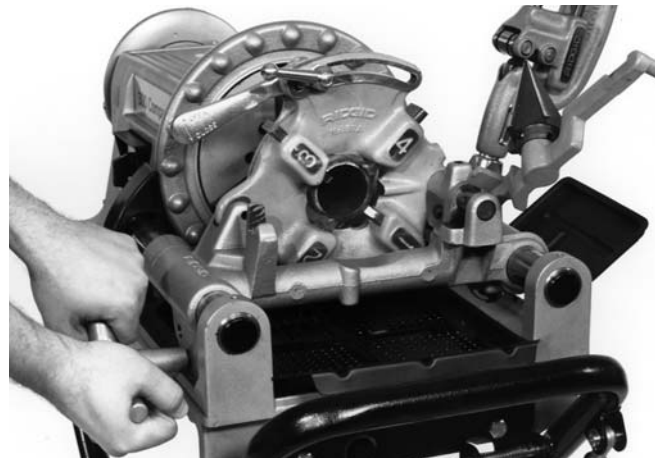


Figure 6 – Threading Pipe With No. 811-A Quick Opening Die Head

6. Quick-Opening 811A Die Head (Figure 7) – When thread is completed, raise throwout lever to open position, retracting dies.

Self-Opening 815A Die Head (Figure 8) – When die head trigger contacts end of pipe, throwout lever is automatically opening.

Semi-automatic die head (Figure 9) – When the end of the pipe being threaded is flush with the end of the number 1 die, hit the handle for the dies to release the pipe.

7. Turn carriage handwheel to back die head off pipe.
8. Swing die head back to UP position.

### Removing Pipe From The Threading Machine

1. Use repeated and forceful clockwise spins of the speed chuck handwheel at the front of the Threading Machine to release the workpiece from the speed chuck jaws.
2. If necessary, loosen the rear centering device using a clockwise rotation of the handwheel at the rear of the Threading Machine.
3. Slide the workpiece out of the Threading Machine, keeping a firm grip on the workpiece as it clears the Threading Machine.

**▲ WARNING** To avoid injury from falling parts or equipment tip-overs when handling long workpieces, make sure that the end farthest from the Threading Machine is supported prior to removal.

4. Clean up any oil spills or splatter on the ground surrounding the Threading Machine.

### Installing Dies In Quick-Opening Die Head (Right and Left Hand)

The No. 811A Universal Die Head (*Figure 7*) for right hand threads requires four sets of dies to thread pipe ranging from  $\frac{1}{8}$ " through 2". One set of dies is required for each of the following pipe size ranges: ( $\frac{1}{8}$ "), ( $\frac{1}{4}$ " and  $\frac{3}{8}$ "), ( $\frac{1}{2}$ " and  $\frac{3}{4}$ ") and (1" through 2"). Bolt threading requires a separate set of dies for each bolt size. No bolt dies are available for left hand universal die heads.

1. Lay die head on bench with numbers up.
2. Flip throwout lever to OPEN position.
3. Loosen clamp lever approximately three turns.
4. Lift tongue of clamp washer up and out of slot under size bar. Slide throwout lever all the way to end of slot in the change die direction indicated on cam plate.
5. Remove dies from die head.
6. Insert new dies to mark on side of dies. Numbers 1 through 4 on the dies must match numbers on the die head.
7. Slide throwout lever back so that tongue of clamp lever washer will drop in slot under size bar.
8. Adjust die head size bar until index line on link is aligned with proper size mark on size bar. For bolt threads, align underline with bolt line on size bar.

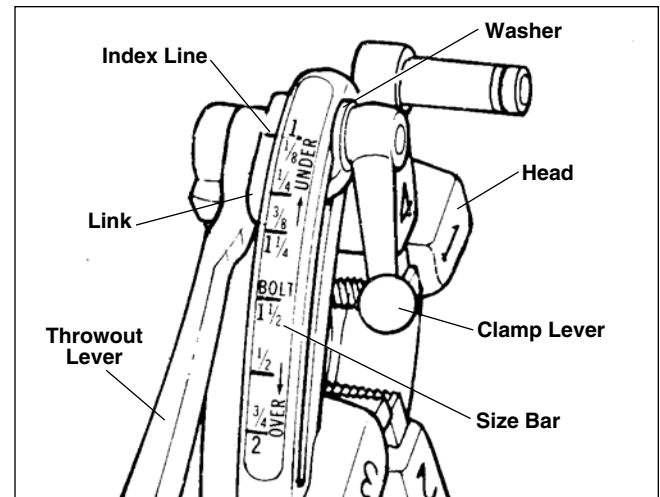


Figure 7 – Universal Quick-Opening Die Head

9. Tighten clamp lever.
10. If oversize or undersize threads are required, set the index line in direction of OVER or UNDER size mark on size bar.

### Installing Dies In Self-Opening Die Head (Right Hand Only)

The No. 815A Self-Opening Die Head (*Figure 8*) for right hand threads requires four sets of dies to thread pipe ranging from  $\frac{1}{8}$ " through 2". One set of dies is required for each of the following pipe size ranges: ( $\frac{1}{8}$ "), ( $\frac{1}{4}$ " and  $\frac{3}{8}$ "), ( $\frac{1}{2}$ " and  $\frac{3}{4}$ ") and (1" through 2"). Bolt threading requires a separate set of dies for each bolt size.

1. Place self-opening die head on bench in vertical position.
2. Make sure trigger assembly is released.
3. Loosen clamp lever approximately six full turns.
4. Pull lock screw out of slot under size bar so that roll pin in lock screw will bypass slot. Position size bar so that index line on lock screw is aligned with the end of REMOVE DIES position.
5. Lay head down with numbers up.
6. Remove dies from die head.
7. Insert new dies to mark on side of dies. Numbers 1 through 4 on the dies must match numbers on the die head.
8. Move throwout lever back to lock in dies.
9. With head in vertical position, rotate cam plate until roll pin on lock screw can be positioned in slot under size bar. In this position dies will lock in die head.

Make sure roll pin points toward end of size bar marked REMOVE DIES.

- Adjust die head size bar until index line on lock screw or link is aligned with proper size mark on size bar.

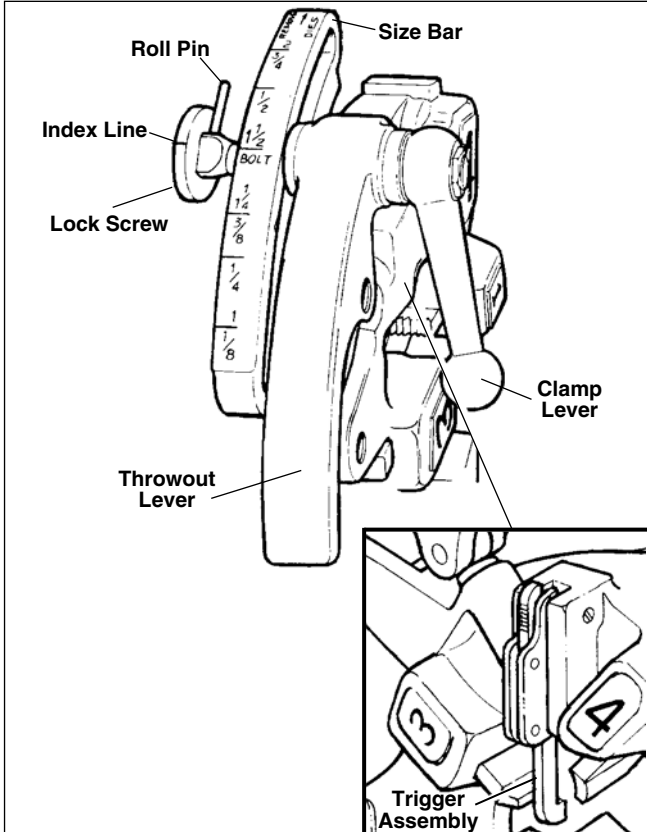


Figure 8 – Universal Self-Opening Die Head

- Tighten clamp lever.
- If oversize or undersize threads are required, set the index line in direction of OVER or UNDER size mark on size bar.

**Installing Dies In Model 816/817 Die Heads**

The Semi-Automatic Die Head (Figure 9) for right hand threads requires four sets of dies to thread pipe ranging from 1/8" through 2". One set of dies is required for each of the following pipe size ranges: (1/8", 1/4" and 3/8"), (1/2" and 3/4") and (1" through 2"). Bolt threading requires a separate set of dies for each bolt size.

- Depress handle so that cam plate rests (Figure 9 – Model 816/817 Die Head) against the stop (as shown).
- Lay the die head down flat on a table or bench with the numbers facing up.

- Pull up on the plunger knob and push the handle all the way to the left.
- Select the correct dies for the size desired. (Size marked on the back or face of the dies.)
- Numbers on the dies must correspond with those on the die head slots. Insert dies to the line marked on the dies – numbered edge up.
- Rotate the handle back to the right so that the plunger knob pops back down flush against the die head.
- To set or adjust for desired size, loosen the screw for the desired position block size, move the block to the right to make it undersize and to the left to make it oversized. When setting blocks for new dies start with the position block on the middle mark and adjust from there.

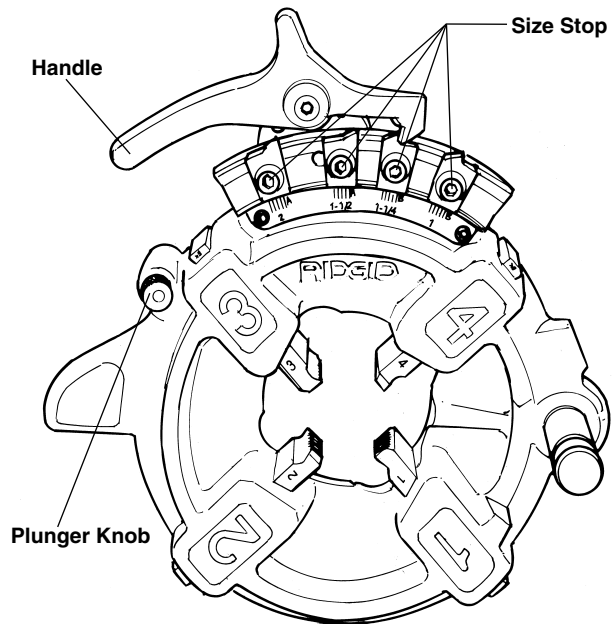


Figure 9 – Semi-Automatic Die Head

**Checking Thread Length**

- Thread is cut to proper length when end of pipe is flush with edge of dies (Figure 10).
- Die Head is adjustable to obtain proper thread diameter. If possible, threads should be checked with a thread ring gage (Figure 10). A proper thread is cut when end of pipe is plus or minus one turn of being flush with face of ring gauge.

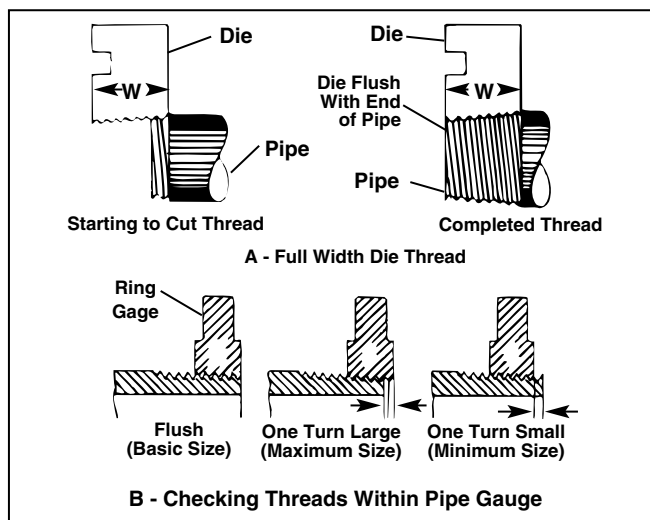


Figure 10 – Checking Thread Length

NOTE! If a ring gauge is not available, a fitting can be used. This fitting should be representative of those being used on the job. The pipe thread should be cut to obtain 2 to 3 turns hand tight engagement with fitting. If pipe thread is not proper diameter the index line should be moved in the direction of the OVER or UNDER size mark on size bar. (Refer to “Installing Dies In Die Heads”).

### 916 Groover Adapter Bracket – 300 Compact

NOTE! Adapter bracket must be used to mount the 916 Roll Groover to the 300 Compact Threading Machine.

NOTE! No. 250 Stand must be in the upright and locked position prior to mounting the 916 Adapter Bracket.

1. Place cutter, die head and reamer in UP position.
2. Position carriage as close to chuck hammer wheel as possible.
3. 916 Groover Bracket should be facing such that extension rails extend beyond front of machine. Note that the retaining pin is attached to the operator side of the 916 Groover Bracket.
4. Attach adapter bracket to 300 Compact by placing C-shaped section of bracket on rear rail (opposite operator) and bringing operator side of bracket down onto operator side rail. Center section of bracket will cover 300 Compact front rail supports (Figure 11).
5. Insert retaining pin through holes, ensuring the pin is securely engaged through both holes. Pin must be properly inserted to lock bracket in place.

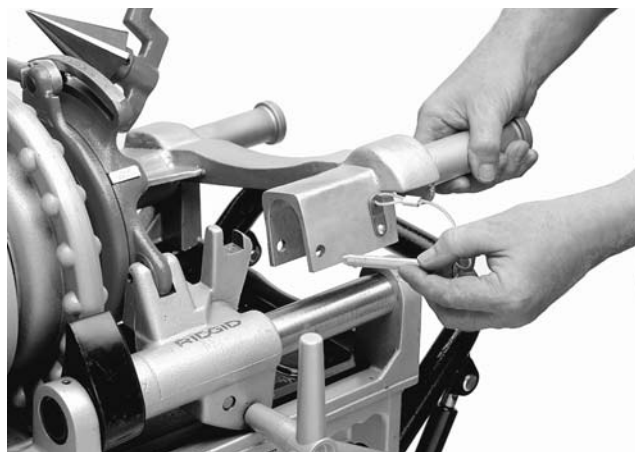


Figure 11 – Locking Pin On 916 Roll Groover Adapter Bracket

6. Attach 916 Groover to 916 Groover Adapter Bracket extension rails as in Step 4 above (Figure 12).
7. Insert drive bar in chuck. Do not close chuck on drive bar at this point.
8. Attach open end of drive bar to drive post on rear of 916 Groover, making sure set screws in drive bar head are securely tightened onto the flats of 916 drive post.
9. Center drive bar in chuck and securely hammer the jaws closed.
10. Turn machine control knob to desired position and operate 916 Groover.

### ⚠ WARNING

Read and understand the Operator's Manual from the 916 Roll Groover before grooving pipe.



Figure 12 – Model 916 Roll Groover and Adapter Bracket Mounted To 300 Compact

NOTE! Before transporting the 300 Compact using the No. 250 Stand, the 916 Roll Groover and 916 Roll Groover Adapter Bracket MUST be disassembled and removed from the machine. If left intact, these items will not allow the No. 250 Stand to lock in the folded position.

## Accessories

### ▲ WARNING

Only the following RIDGID products have been designed to function with the 300 Compact Threading Machine. Other accessories designed for use with other tools may become hazardous when used on this Threading Machine. To prevent serious injury, use only the accessories listed below.

### Accessories For Threading Machine

#### Die Heads:

Model	Pipe Capacity	Bolt Capacity	Dies	Opening	Operation
811A NPT	1/8" – 2"	1/4" – 2"	Universal	Quick	R.H.
815A NPT	1/8" – 2"	1/4" – 2"	Universal	Self	R.H.
842 NPT	1/4" – 2"	–	Universal	Quick	L.H.
816 NPT	1/8" – 3/4"	–	Universal	TAP	R.H.
817 NPT	1" – 2"	1/4" – 2"	Universal	TAP	R.H.
811A BSPT	1/8" – 2"	1/4" – 2"	Universal	Quick	R.H.
815A BSPT	1/8" – 2"	1/4" – 2"	Universal	Self	R.H.
531 Bolt	–	1/4" – 1"	500B	Quick	R.H./L.H.
532 Bolt	–	1/8" – 2"	500B	Quick	R.H./L.H.

#### Stands:

- No. 250 Folding Stand
- No. 200 Wheel And Cabinet Stand
- No. 150 Wheel And Tray Stand
- No. 100 Leg And Tray Stand

#### Pipe Support Stands

VJ99; VJ98; RJ99

#### 916 Groover Adapter Bracket (Cat. #67662)

#### No. 819 Nipple Chuck (Right Hand Only)

Pipe Adapters.....1/8" through 1 1/2"

Stud Adapters.....1/4" through 2" UNC  
1/4" through 1 1/2" UNF

#### Jaw Inserts For Coated Pipe

### Accessories from Threading By Close-Coupled Method

No. 768 Drive Link Assembly and No. 844 Drive Bar

No. 141 Geared Threader for 2 1/2" – 4" Threading.

VJ-99/RJ-99 Pipe Support Stands

NOTE! See Ridge Tool Catalog for complete list of pipe supports, thread cutting oil and dies.

## Maintenance Instructions

### ▲ WARNING

Make sure machine is unplugged from power source before performing maintenance or making any adjustment.

### Lubrication

Proper lubrication is essential to trouble-free operation and long life of Threading Machine.

Two grease fittings are provided on top of machine housing to allow for oiling of the front and rear bearings (Figure 13). Bearings should be greased periodically, depending on usage of machine.



Figure 13 – Lubricate Bearings

### Oil System Maintenance

To help assure proper operation of threading machine, keep oil system clean, as follows:

1. Replace thread cutting oil when it becomes dirty or contaminated. To drain the oil, position a container under drain plug and remove plug.
2. Keep oil filter screen to assure proper flow or clean oil to work. Oil filter screen is located in the bottom of oil reservoir. To clean filter screen, loosen the screw that secures filter to base and pull filter from oil line. Clean filter screen in solvent and blow out with compressed air if available. Do not operate machine with oil filter screen removed.

NOTE! RIDGID Thread Cutting Oil produces high quality threads and maximizes die life. For information concerning its use and handling, refer to the labels on the oil containers. Disposal of the oil should be in accordance with government regulations.

## Jaw Insert Replacement

NOTE! When teeth on jaw inserts become worn and fail to hold pipe or rod during operation, replace entire set of jaw inserts. Clean teeth of jaw inserts daily with wire brush.

1. Place screwdriver in insert slot and turn 90 degrees in either direction.
2. Place insert sideways on locking pin and press down as far as possible.
3. Hold insert down firmly with screwdriver, turn as so teeth face up.

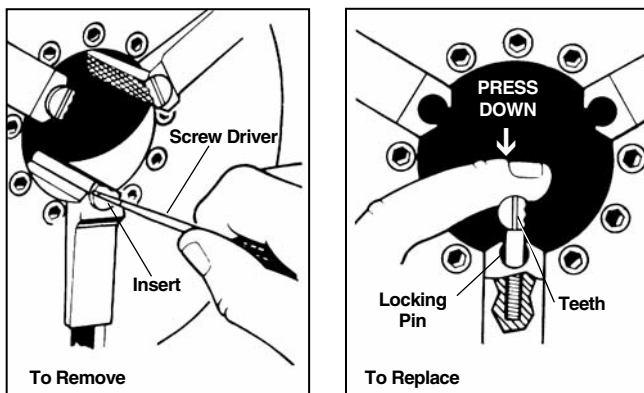


Figure 14 – Jaw Insert Replacement

## Replacing Brushes In Motor

NOTE! Check motor brushes every 6 months. Replace when worn to less than  $\frac{1}{2}$ ".

1. Unplug machine from power source.
2. Fully loosen four screws that hold motor housing cover in place and remove motor housing cover (Figure 15).

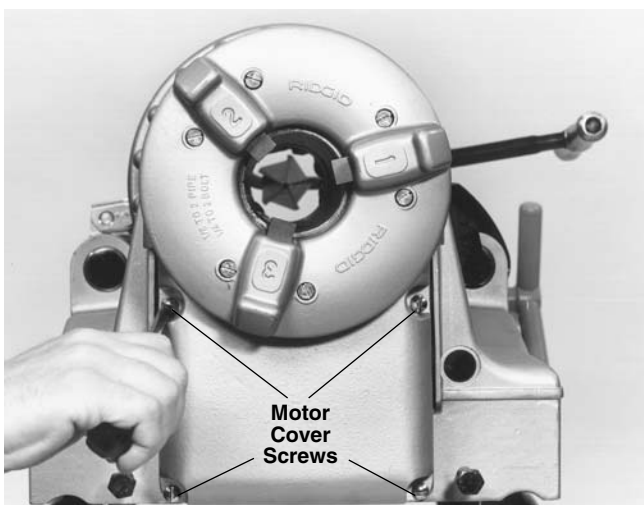


Figure 15 – Loosen And Remove Motor Cover Screws

3. Loosen carbon brush holders and remove carbon brushes.
4. Install new brushes.
5. Reinstall brush holders and motor housing cover.

**▲ WARNING** Do not operate the threading machine with cover off. Always replace cover immediately after installing brushes.

## Machine Storage

**▲ WARNING** Motor-driven equipment must be kept indoors or well covered in rainy weather. Store the machine in a locked area that is out of reach of children and people unfamiliar with threading machines. This machine can cause serious injury in the hands of untrained users.

## Service and Repair

**▲ WARNING**



Service and repair work on this Threading Machine must be performed by qualified repair personnel. Machine should be taken to a RIDGID Independent Authorized Service Center or returned to the factory. All repairs made by Ridge service facilities are warranted against defects in material and workmanship.

**▲ WARNING** When servicing this machine, only identical replacement parts should be used. Failure to follow these instructions may create a risk of electrical shock or other serious injury.

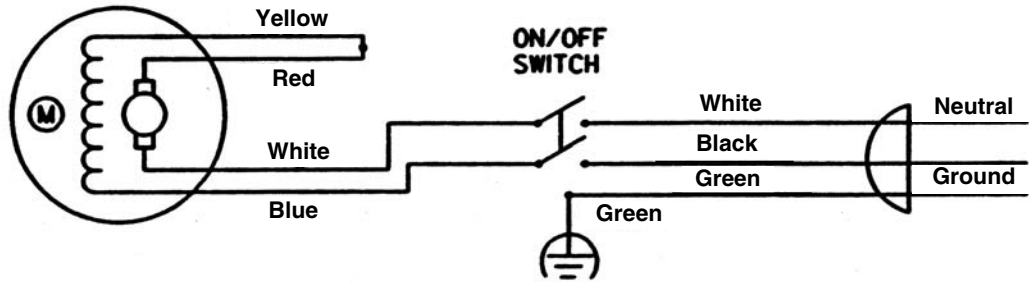
If you have any questions regarding the service or repair of this machine, call or write to:

Ridge Tool Company  
 Technical Service Department  
 400 Clark Street  
 Elyria, Ohio 44035-6001  
 Tel: (800) 519-3456  
 E-Mail: rtctechservices@emerson.com

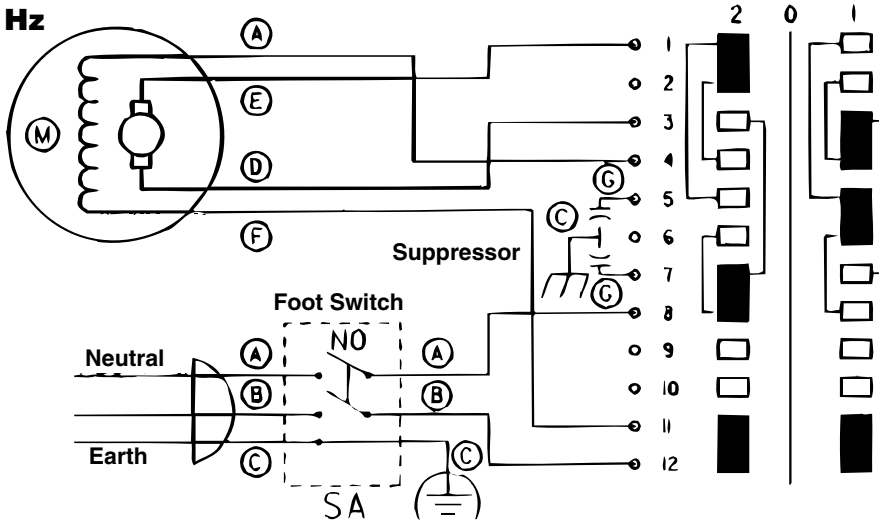
For name and address of your nearest Independent Authorized Service Center, contact Ridge Tool Company at (800) 519-3456 or <http://www.RIDGID.com>

## Wiring Diagrams

### 115/230V Far East



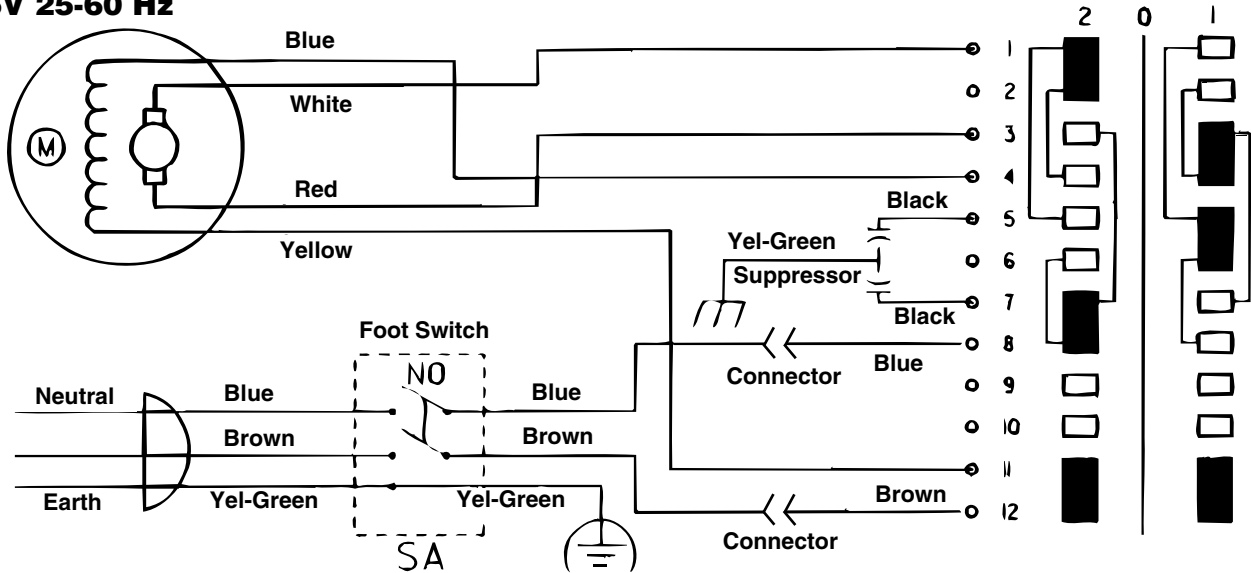
### 230V 25-60 Hz



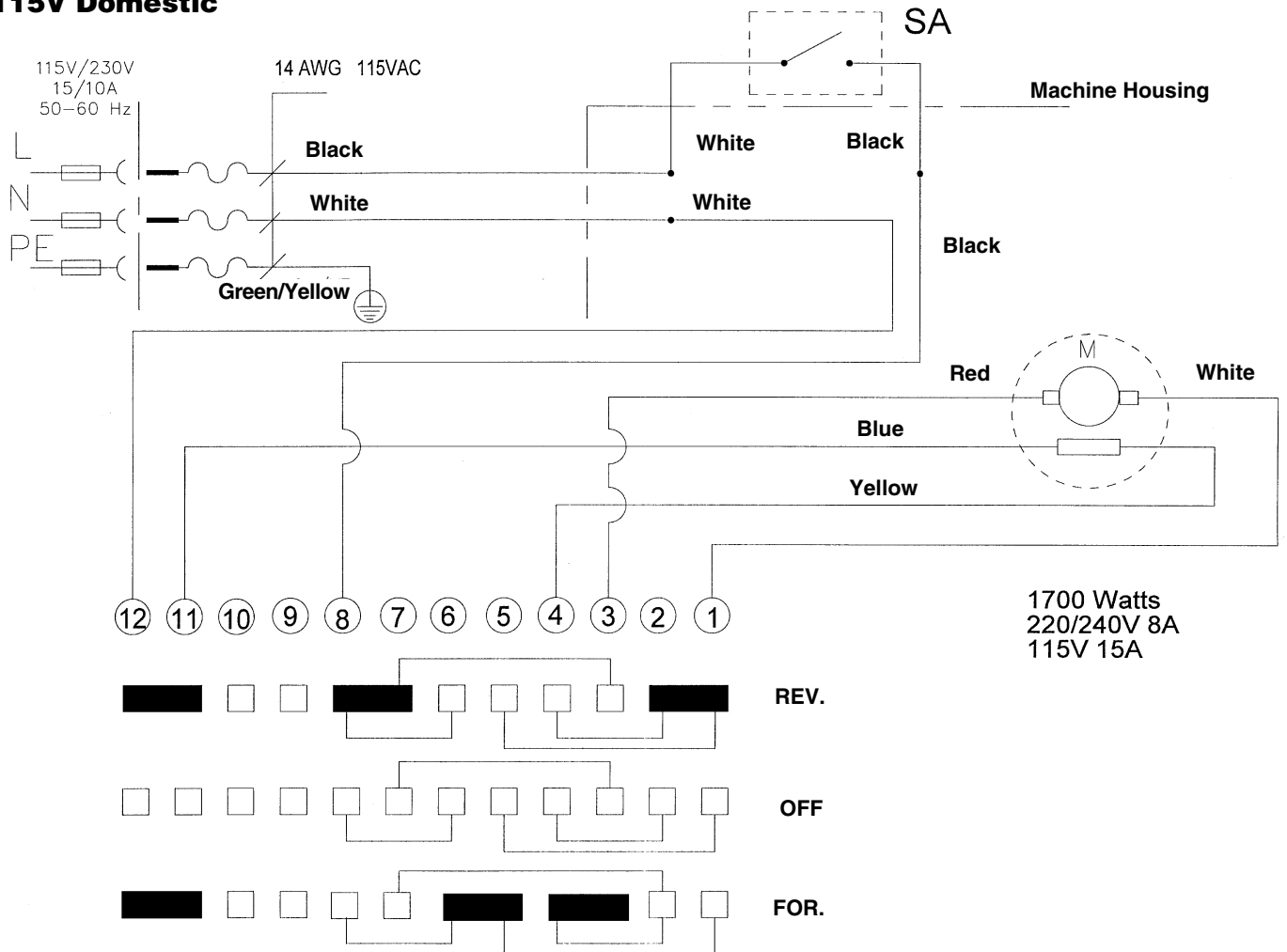


### Wiring Diagrams continued

#### 115V 25-60 Hz

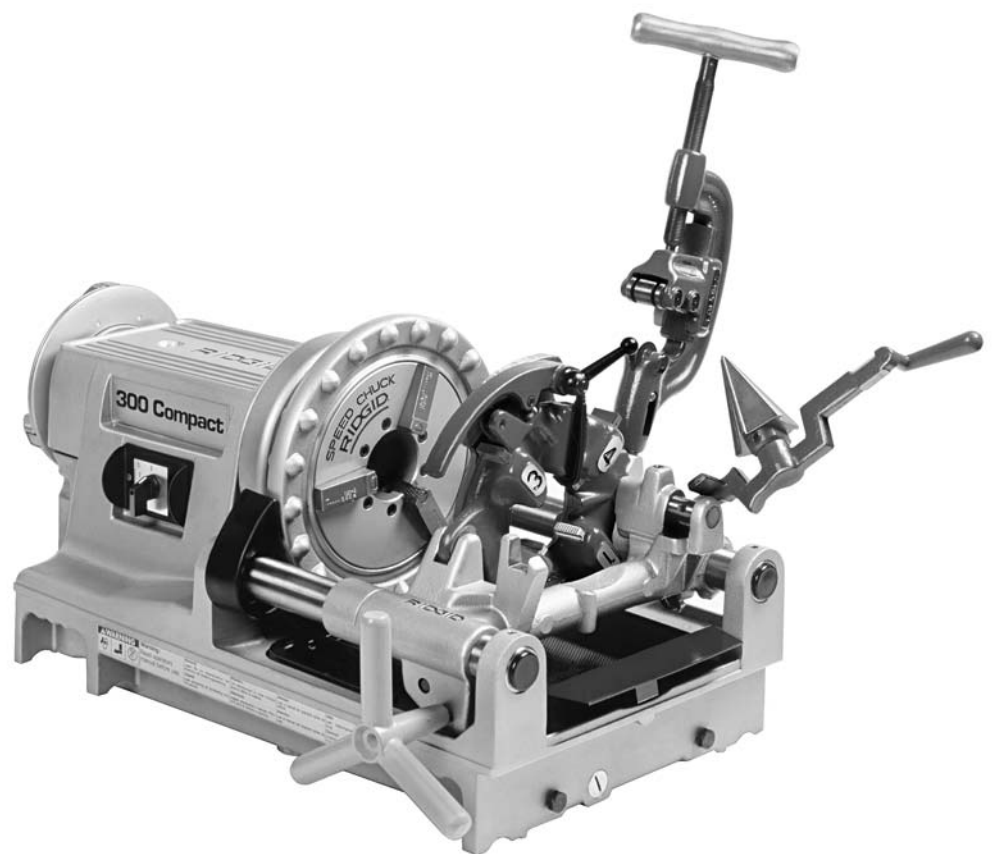


#### 115V Domestic





# Machine à fileter pour tuyaux et boulons modèle 300 Compact



## Machine à fileter pour tuyaux et boulons modèle 300 Compact

Inscrivez ci-dessous et conservez le numéro de série qui apparaît sur la plaque signalétique de la machine.

N° de  
Série

--

## Table des matières

<b>Fiche d'enregistrement des numéros de modèle et de série de la machine</b> .....	17
<b>Consignes générales de sécurité</b>	
Chantier .....	19
Sécurité électrique .....	19
Sécurité individuelle .....	19
Utilisation et entretien de l'appareil.....	20
Service après-vente.....	20
<b>Consignes de sécurité particulières</b>	
Sécurité de la pédale de commande .....	20
Sécurité de la machine .....	21
<b>Description, spécifications et accessoires</b>	
Description.....	21
Spécifications .....	21
Equipements de Base .....	22
<b>Assemblage de la machine</b> .....	22
<b>Inspection de la machine</b> .....	23
<b>Préparation de la machine et du chantier</b> .....	24
<b>Utilisation de la machine et des outils à montage direct</b>	
Installation des tuyaux .....	25
Coupe des tuyaux à l'aide du coupe-tubes N° 360 .....	25
Alésage des tuyaux à l'aide de l'alésoir N° 344.....	26
Filetage des tuyaux et tiges à l'aide des filières à ouverture rapide, ouverture automatique ou ouverture semi-automatique .....	26
Retrait des tuyaux .....	27
Installation des filières sur la tête de filière à ouverture rapide (filetages à droite et à gauche) .....	27
Installation des filières sur la tête de filière à ouverture automatique (filetage à droite uniquement) .....	28
Installation des filières sur les têtes de filière semi-automatiques.....	29
Vérification de la longueur de filetage .....	29
Adaptateur de rainureuse n° 916 pour 300 Compact .....	30
<b>Accessoires</b> .....	30
<b>Entretien</b>	
Lubrification .....	31
Entretien du système de lubrification.....	31
Remplacement des mâchoires .....	31
Remplacement des balais du moteur .....	32
<b>Stockage de la machine</b> .....	32
<b>Service après-vente et réparations</b> .....	32
<b>Schémas électriques</b> .....	33-34
<b>Garantie à vie</b> .....	Page de garde

## Consignes générales de sécurité

**MISE EN GARDE !** Familiarisez-vous avec l'ensemble des instructions. Le non-respect des consignes suivantes pourrait augmenter les risques de choc électrique, d'incendie et de blessure corporelle grave.

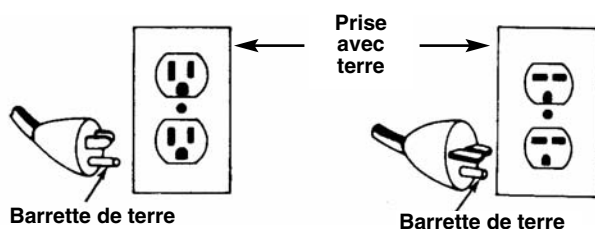
### CONSERVEZ CES INSTRUCTIONS!

## Sécurité du chantier

- **Gardez le chantier propre et bien éclairé.** Les établis encombrés et les locaux mal éclairés sont des invitations aux accidents.
- **N'utilisez pas d'appareils électriques dans un milieu explosif tel qu'en présence de liquides, de gaz ou de poussières inflammables.** L'appareil produit des étincelles qui pourraient provoquer la combustion des poussières et vapeurs.
- **Gardez les tiers, les enfants et les visiteurs à l'écart lorsque vous utilisez un appareil électrique.** Les distractions peuvent vous faire perdre le contrôle de l'appareil.
- **Assurez-vous que les sols sont secs et exempts d'huile ou d'autres matières visqueuses.** Les sols glissants sont une invitation aux accidents.
- **Clôturez ou barricadez votre chantier lorsque le tuyau dépasse le gabarit de l'appareil.** Une clôture ou barricade assurant un dégagement minimum d'un mètre (3 pieds) autour du tuyau réduit les risques d'enchevêtrement.

## Sécurité électrique

- **Les appareils électriques avec terre doivent être branchés sur une prise avec terre appropriée et conforme aux normes en vigueur. Ne jamais enlever la barrette de terre ou tenter de modifier la fiche d'aucune manière. Ne jamais utiliser d'adaptateurs de prise. Consultez un électricien qualifié en cas de doute sur la bonne mise à la terre de la prise.** Dans le cas d'une panne ou d'une défaillance électrique de l'appareil, la terre assure un passage de faible résistance qui éloigne le courant électrique de l'opérateur.



- **Evitez tout contact avec les surfaces mises à la terre.** Le contact avec des masses augmente les risques de choc électrique.
- **N'exposez pas les appareils électriques aux intempéries ou à l'eau.** Toute pénétration d'eau à l'intérieur de l'appareil augmente les risques de choc électrique.
- **Ne maltraitez pas le cordon électrique de l'appareil. Ne jamais porter l'appareil par son cordon électrique, ni tirer sur celui-ci pour débrancher l'appareil. Gardez le cordon à l'abri des sources de chaleur, de l'huile, des angles tranchants et des pièces mobiles. Remplacez immédiatement tout cordon endommagé.** Les cordons endommagés augmentent les risques de choc électrique.
- **A l'extérieur, utilisez une rallonge électrique portant l'indication "W-A" ou "W".** Ce type de cordon est homologué pour l'utilisation à l'extérieur et réduit les risques de choc électrique.
- **Utilisez uniquement des rallonges à trois fils équipées d'une fiche bipolaire plus terre à trois barrettes et d'une prise bipolaire plus terre qui correspond à la fiche de l'appareil.** L'utilisation d'autres types de rallonge électrique n'assurera pas la mise à la terre de l'appareil et augmentera les risques de choc électrique.
- **Utilisez la section de rallonge appropriée (voir le tableau).** Une section de conducteurs insuffisante entraînera des pertes de charge excessive et un manque de puissance.

Section minimale des fils conducteurs des rallonges			
Ampères indiqués sur la plaque signalétique	Longueur totale (en pieds)		
	0 à 25	26 à 50	51 à 100
0 à 6	18 AWG	16 AWG	16 AWG
6 à 10	18 AWG	16 AWG	14 AWG
10 à 12	16 AWG	16 AWG	14 AWG
12 à 16	14 AWG	12 AWG	Déconseillé

- **Gardez toutes connexions électriques au sec et surélevées. Ne touchez pas les fiches électriques ou l'appareil avec les mains mouillées.** Cette précaution réduira les risques de choc électrique.

## Sécurité personnelle

- **Soyez attentif, faites attention à ce que vous faites et faites preuve de bon sens lorsque vous utilisez un appareil électrique. N'utilisez pas ce type d'appareil lorsque vous êtes fatigués ou lorsque vous prenez des médicaments, de l'al-**

**cool ou des produits pharmaceutiques.** Un instant d'inattention peut entraîner de graves blessures lorsque l'on utilise un appareil électrique.

- **Habillez-vous de manière appropriée. Ne portez pas de vêtements amples ni de bijoux. Attachez les cheveux longs. Gardez vos cheveux, vos vêtements et vos gants à l'écart des pièces mobiles.** Les vêtements amples, les bijoux et les cheveux longs peuvent s'entraver dans le mécanisme.
- **Évitez les risques de démarrage accidentel. Assurez-vous que l'interrupteur marche/arrêt est en position OFF (arrêt) avant de brancher l'appareil.** Le fait de porter l'appareil avec votre doigt sur la gâchette ou le brancher lorsque son interrupteur est en position de marche, est une invitation aux accidents.
- **Enlevez les clés de réglage et autres outils avant de mettre l'appareil en marche.** Au démarrage, une clé laissée sur une partie rotative de l'appareil peut devenir un projectile.
- **Ne vous mettez pas en porte-à-faux. Maintenez une bonne assise et un bon équilibre à tout moment.** Une bonne assise et un bon équilibre vous permettent de mieux contrôler l'appareil en cas d'imprévu.
- **Utilisez les équipements de sécurité appropriés. Portez une protection oculaire systématiquement.** Un masque à poussière, des chaussures de sécurité, le casque et/ou une protection auditive doivent être portés selon les conditions d'utilisation.

### Utilisation et entretien de l'appareil

- **N'utilisez pas un appareil dont l'interrupteur marche/arrêt ne fonctionne pas correctement.** Tout appareil qui ne peut pas être contrôlé par son interrupteur est dangereux et doit être réparé.
- **Débranchez le cordon électrique de l'appareil avant tout réglage, changement d'accessoires ou rangement de celui-ci.** De telles mesures préventives réduisent le risque de démarrage accidentel de l'appareil.
- **Rangez les appareils non utilisés hors de la portée des enfants et des personnes non-initiées.** Ces appareils sont dangereux entre les mains de personnes non initiées.
- **Assurez-vous qu'il n'y a pas de mauvais alignement ou de grippage au niveau du mécanisme, ou d'autres anomalies qui pourraient nuire au bon fonctionnement de l'appareil.** Le cas échéant, l'appareil devra être réparé avant toute utili-

sation. De nombreux accidents sont le résultat d'un appareil mal entretenu.

- **Utilisez exclusivement les accessoires recommandés par le fabricant pour votre appareil particulier.** Des accessoires prévus pour un certain type d'appareil peuvent être dangereux lorsqu'on tente de les adapter à un autre type de machine.
- **Gardez les poignées de l'appareil propres, sèches et dépourvues d'huile ou de graisse.** Cela vous permettra de mieux contrôler l'appareil.

### Service après-vente

- **Toutes réparations de l'appareil doivent être confiées à un réparateur qualifié.** La réparation ou l'entretien de l'appareil par du personnel non qualifié pourrait entraîner des blessures corporelles.
- **Lors de la réparation de l'appareil, utilisez exclusivement des pièces de rechange identiques à celles d'origine. Suivez les instructions de la section "Entretien" du mode d'emploi.** L'utilisation de pièces de rechange non homologuées ou le non-respect des consignes d'entretien peut créer un risque de choc électrique ou de blessure corporelle.

## Consignes de sécurité spécifiques

### ▲ MISE EN GARDE !

**Familiarisez-vous avec ce mode d'emploi avant toute utilisation de la machine à fileter modèle 300 Compact. Le manque de compréhension et/ou le non-respect des consignes qu'il contient pourrait augmenter les risques de choc électrique, d'incendie et/ou de graves blessures corporelles.**

Veillez adresser toutes questions éventuelles aux services techniques de la Ridge Tool Company en composant le (800) 519-3456.

### Sécurité de la pédale de commande

### ▲ MISE EN GARDE !

**L'utilisation d'une machine à fileter sans sa pédale de commande augmente les risques de blessure grave. La pédale de commande assure un meilleur contrôle de l'appareil, car elle permet d'arrêter le système en retirant simplement le pied. Si vos vêtements devaient se prendre dans le mécanisme, ils s'embobineraient en vous entraînant avec eux. Vu le couple élevé de la machine, les vêtements eux-mêmes risquent de s'entortiller autour d'un bras ou autre partie du corps avec suffisamment de force pour briser les os.**

## Sécurité de l'appareil

- Cette machine à fileter est prévue pour le filetage et la coupe des tuyaux et des boulons, ainsi que pour l'entraînement du matériel de rainurage. Respectez les instructions d'utilisation ci-après. Ne pas utiliser cet appareil à d'autres fins, tels que le percement de trous ou l'entraînement de treuils. Toute autre utilisation ou modification de ce système d'entraînement augmenterait les risques de grave blessure corporelle.
- Arrimez l'appareil solidement à un établi ou un support. Soulagez les grandes longueurs de tuyaux à l'aide de porte-tubes. Cette précaution évitera le renversement éventuel des tuyaux.
- Ne portez pas de gants ou de vêtements trop amples. Gardez les manches de chemise et les blousons boutonnés. Ne vous penchez ni sur l'appareil, ni sur le tuyau. Les vêtements risquent de s'embobiner autour du tuyau et provoquer de graves blessures corporelles.
- Utilisez la machine en vous tenant du côté du sélecteur directionnel REV/OFF/FOR. Cela vous évitera d'avoir à vous pencher sur l'appareil.
- N'utilisez pas cet appareil en cas de défaillance ou d'absence de la pédale de commande. La pédale de commande est un dispositif de sécurité servant à éviter les blessures corporelles graves.
- Ecartez vos mains des tuyaux et raccords en rotation. Arrêtez l'appareil avant d'essuyer les filets d'un tuyau ou d'y visser un raccord. Laissez l'appareil s'arrêter complètement avant de toucher le tuyau ou les mandrins de la machine. Cette précaution évitera les risques d'enchevêtrement et grave blessure corporelle.
- N'utilisez pas cet appareil pour l'installation ou le déblocage des raccords. Ces opérations ne font pas partie des utilisations prévues pour cet appareil et risquent d'entraîner de graves blessures corporelles.
- Serrez le volant du mandrin et engagez le dispositif de centrage arrière sur le tuyau avant de mettre la machine en marche. Cela empêchera l'oscillation du tuyau.
- Gardez les carters de sécurité de l'appareil en place. Ne pas utiliser l'appareil sans ses carters de sécurité. Toute exposition aux mécanismes de l'appareil crée un risque d'enchevêtrement et de grave blessure corporelle.

- Verrouillez la pédale de commande lorsque l'appareil ne sert pas (Figure 1). Cela évitera les risques de démarrage accidentel.

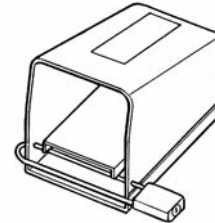


Figure 1 – Pédale de commande verrouillée

## Description, Spécifications et Accessoires de Base

### Description

La machine à fileter RIDGID modèle 300 Compact est un appareil à entraînement électrique prévu pour le centrage, le mandrinage et l'entraînement rotatif des tuyaux, gaines et tiges (boulonnerie) lors des opérations de filetage, de coupe et d'alésage. Son sélecteur directionnel FOR/OFF/REV permet d'effectuer des filetages avec pas à droite ou à gauche. Les filières sont montées sur des têtes de filière à ouverture rapide ou automatique. Un système de lubrification automatique est prévu pour inonder l'ouvrage d'huile de coupe en cours de filetage.

La machine à fileter RIDGID modèle 300 Compact peut également servir de système d'entraînement pour rainureuse à galets. Lorsqu'elle est montée sur le rail du chariot de la machine à fileter, la rainureuse à galets permet le rainurage standard des tuyaux de différentes sections et compositions.

### Spécifications

Capacité de filetage.....	Tuyaux de 1/8 à 2 po de diamètre Boulons de 1/4 à 2 po de diamètre
Mandrin .....	Mandrin à prise rapide avec mâchoires remplaçables
Dispositif de centrage arrière .....	Concentrique, entraîné par le mandrin
Vitesse de rotation.....	38 ou 52 t/min
Moteur :	
Type .....	Moteur universel
Puissance .....	1/2 CV

Tension d'alimentation .....	Courant alternatif monophasé de 120V, 25/60Hz (230V sur demande)
Ampères .....	15A (38 t/min) 18A (52 t/min)
Commandes .....	Sélecteur directionnel Marche Avant/Arrêt/March Arrière (FOR/OFF/REV) rotatif et pédale de commande marche/arrêt (ON/OFF)
Pompe .....	Type Gerotor
Coupe-tubes .....	N° 360 – à galets flottants et centrage automatique Tuyaux – de 1/8 à 2 po de diamètre Boulonnerie – de 1/4 à 1 po de diamètre
Alésoir .....	N° 344 – à 5 goujures hélicoïdales, pour filetages à droite de 1/8 à 2 po de diamètre
Poids .....	115 livres

### Equipements de Base

#### Machine à fileter modèle 300 Compact avec pédale de commande

- 1 – Tête de filière universelle à ouverture rapide N° 811-A
- 1 – Alésoir N° 344
- 1 – Coupe-tubes N° 360
- 1 – Jeu de filières en alliage universelles de 1/2 à 3/4 po
- 1 – Jeu de filières en alliage universelles de 1 à 2 po
- 1 – Gallon d'huile de coupe Nu-Clear

### Machines

Réf. Catalogue	Modèle	Alimentation 115V, 25/60Hz	Régime (t/min)	Tension d'alimentation
66947	300 Compact	1/2 à 2 po NPT	38	115
67182	300 Compact Kit	1/2 à 2 po NPT avec support roulant repliable modèle 250	38	115
73447	300 Compact	1/2 à 2 po NPT, 115V, 25-60Hz	52	115
75602	300 Compact Kit	1/2 à 2 po NPT, 115V, 25-60Hz avec support roulant repliable modèle 250	52	115
58752	300 Compact	1/2 à 2 po BSPT, 230V, 25-60Hz (modèle autrichien)	38	230
58757	300 Compact	1/2 à 2 po NPT, 230V, 25-60Hz (modèle exportation)	38	230

Toutes machines sont équipées d'un moteur universel monophasé de 1/2 CV, 25/60Hz.

NOTA ! Les filières NPT sont réservées exclusivement aux têtes de filière NPT. Les filières BSPT sont réservées exclusivement aux têtes de filières BSPT. Veuillez indiquer les références catalogue lors des commandes. L'utilisation des filières haute vitesse n'est conseillée que sur les machines d'un régime d'au moins 52 t/min.

## Assemblage de la Machine

### ▲ MISE EN GARDE !

**La machine à fileter doit être correctement assemblée afin d'éviter les risques de blessure corporelle grave. Les consignes d'assemblage suivantes doivent être respectées :**

#### Montage de la machine sur support

Cette machine est prévue pour être montée sur les trois supports universels répertoriés.

#### Supports

Modèle	Désignation
250	Support roulant repliable
100A	Support universel fixe avec plateau
150A	Support universel roulant avec plateau
200A	Support universel roulant avec coffret

#### Montage de la machine sur établi

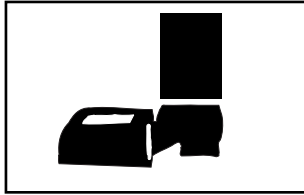
1. En l'absence d'un support, la machine doit être montée sur un établi solide. Pour monter la machine sur établi, introduisez les quatre (4) boulons de 1/4 po et les trous prévus à chaque coin de l'embase de la machine.

**▲ MISE EN GARDE** La machine risque de se renverser et provoquer de graves blessures corporelles si elle n'est pas correctement montée sur un support ou établi stable.



## Inspection de la machine

### ▲ MISE EN GARDE !



**Inspectez la machine à fileter afin d'éviter de graves blessures. L'inspection suivante doit être effectuée quotidiennement :**

1. Vérifiez que la machine à fileter est débranchée et que le sélecteur directionnel est en position OFF (arrêt) (Figure 2).

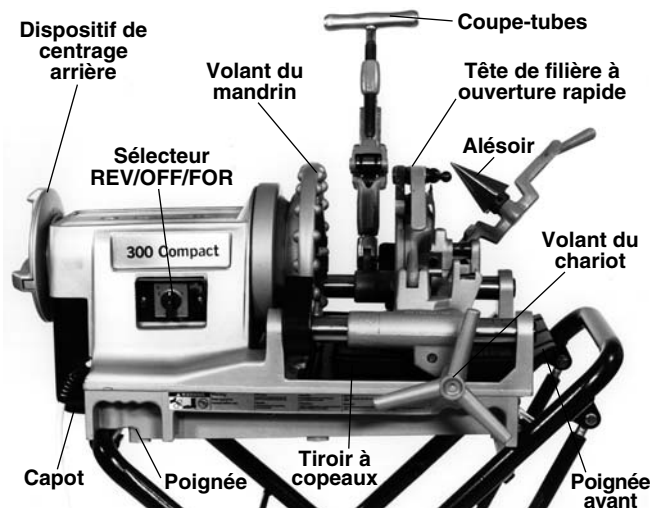


Figure 2 – Machine à fileter Modèle 300 Compact

2. Nettoyez les mâchoires du mandrin à serrage rapide de l'aide d'une brosse métallique.
3. Examinez les mâchoires pour signes d'usure excessive ou de dents endommagées. Reportez-vous aux consignes d'entretien s'il est nécessaire de les remplacer.

**NOTA !** Utilisez les mâchoires spéciales (réf. 97365) prévues pour le filetage des tuyaux en plastique et des tuyaux plastifiés afin d'éviter d'endommager ces derniers.

4. Vérifiez que la pédale de commande est présente et qu'elle est reliée à la machine à fileter.

**▲ MISE EN GARDE** Ne pas utiliser la machine à fileter sans sa pédale de commande.

5. Examinez le cordon d'alimentation et sa fiche pour signes de détérioration. Si la fiche a été modifiée, si elle manque la barrette de terre ou si le cordon d'alimentation est endommagé, n'utilisez pas la machine à fileter avant que le cordon ait été remplacé.

6. Examinez la machine à fileter pour signes de pièces endommagées, manquantes, mal alignées ou grippées, ainsi que pour toute autre condition qui puisse nuire au bon fonctionnement et à la sécurité de la machine. Le cas échéant, n'utilisez pas la machine à fileter avant que toutes les anomalies aient été réparées.

7. Si nécessaire, lubrifiez la machine à fileter selon les consignes d'entretien.
8. Utilisez les outils et accessoires prévus pour cette machine à fileter particulière et qui répondent aux besoins de l'application envisagée. Les outils et accessoires appropriés permettront d'effectuer le travail correctement et en toute sécurité. Les accessoires prévus pour d'autres types de matériel peuvent être dangereux lorsqu'ils sont utilisés avec cette machine à fileter.
9. Éliminez toutes traces d'huile, de graisse ou de crasse des poignées et des commandes de l'appareil. Cela réduira les risques de blessure dus si vous perdez le contrôle d'un outil ou d'une commande.

Examinez le tranchant des outils et des filières. Si nécessaire, faites-les remplacer avant d'utiliser la machine à fileter. Des outils tranchants et filières émoussés ou endommagés peuvent entraîner le grippage ou la casse des outils, ainsi que des filetages de mauvaise qualité.

Enlevez les copeaux métalliques et autres débris du tiroir à copeaux de la machine à fileter. Vérifiez le niveau et la qualité de l'huile de coupe. Si nécessaire, remplacez-la ou faites l'appoint. Le réservoir qui se trouve dans l'embase contient approximativement 5 quarts d'huile de coupe.

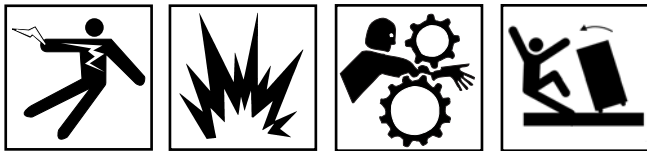
**NOTA !** Lors de l'utilisation du support pliant n° 250, n'oubliez pas de retirer le joint d'étanchéité d'huile.

**NOTA !** L'huile de coupe sert à lubrifier et refroidir les filets durant le filetage. Une huile sale ou de mauvaise qualité risque de compromettre la qualité du filetage.

**NOTA !** Consultez la section Entretien pour la vidange et l'entretien du système de lubrification.

## Préparation de la Machine et du Chantier

### ▲ MISE EN GARDE !



**Afin d'éviter les risques de grave blessure corporelle, il est nécessaire de préparer l'appareil et le chantier de manière appropriée. Respectez les consignes suivantes lors de la préparation de l'appareil.**

- Assurez-vous que le chantier présente les caractéristiques suivantes :
  - Suffisamment d'éclairage
  - Absence de liquides, vapeurs ou poussières combustibles.
  - Prise de courant avec terre
  - Un passage dégagé jusqu'à la prise de courant sans sources de chaleur, sans huile, sans arrêtes vives, et sans mécanismes qui risqueraient d'endommager le cordon d'alimentation.
  - Un endroit sec pour l'appareil et son utilisateur. Ne pas utiliser l'appareil lorsque vous avez les pieds dans l'eau.
  - Un sol plan et de niveau
- Nettoyez le chantier avant d'installer le matériel. Essuyez systématiquement toutes traces d'huile qui auraient pu s'éclabousser ou s'écouler de l'appareil ou du système de lubrification afin d'éviter les risques de dérapage et de chute.
- Si l'ouvrage sailli de plus de quatre (4) pieds par rapport à la machine à fileter, servez-vous d'un ou plusieurs porte-tubes pour éviter le renversement et l'oscillation du tuyau.
- Si l'ouvrage déborde de la machine à fileter, installez des barrières ou des barricades afin de créer un périmètre libre d'un minimum de trois (3) pieds autour de la machine à fileter et de l'ouvrage. Cette "zone de sécurité" empêchera les tiers de se heurter accidentellement à la machine ou à l'ouvrage et provoquer leur renversement ou s'enchevêtrer dans le mécanisme en rotation.
- Si nécessaire, remplissez le réservoir d'huile de coupe RIDGID Thread Cutting Oil.
- Vérifiez que le sélecteur FOR/OFF/REV se trouve en position OFF (arrêt).

- Positionnez la pédale de commande de manière à pouvoir contrôler la machine, les outils et l'ouvrage en toute sécurité. Celle-ci devrait permettre à l'opérateur :

- De se tenir face au sélecteur directionnel.
- D'utiliser la pédale de commande avec son pied gauche.
- D'avoir accès au sélecteur et aux outils sans avoir à se pencher sur la machine.

Cette machine peut être utilisée par une seule personne.

- Branchez la machine à fileter sur la prise de courant en faisant attention de faire passer le cordon d'alimentation le long du passage dégagé précédemment sélectionné. Si le cordon d'alimentation n'arrive pas jusqu'à la prise, servez-vous d'une rallonge électrique qui soit en bon état.

### ▲ MISE EN GARDE !

**Afin d'éviter les risques de choc électrique et d'incendie, ne jamais utiliser de rallonge endommagée ou qui ne répond pas aux exigences suivantes :**

- La rallonge doit être équipée d'une fiche à trois barrettes semblable à celle indiquée à la section intitulée "Sécurité électrique"**
- La rallonge doit être du type "W" ou "W-A" si elle doit servir à l'extérieur.**
- La rallonge doit être de section suffisante (fils de 14 AWG sous 25' ou 12 AWG de 25' à 50'). Si la section des fils conducteurs de la rallonge est insuffisante, la rallonge risque de surchauffer, de fondre et d'incendier les objets à proximité.**

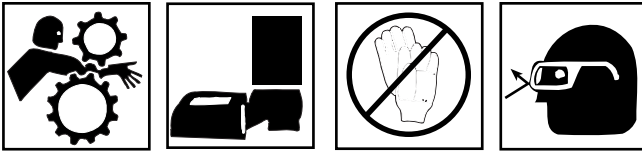
**▲ MISE EN GARDE** Afin de limiter les risques de choc électrique, gardez toutes connexions électriques au sec et surélevées. Ne jamais toucher la fiche d'un cordon électrique avec les mains mouillées.

- Vérifiez le bon fonctionnement de la machine à fileter.
  - Mettez le sélecteur directionnel en position FOR (marche avant). Appuyez momentanément sur la pédale de commande. Vérifiez que la machine à fileter tourne bien à gauche lorsque vous faites face au mandrin avant. Faites réparer la machine à fileter si elle tourne en sens inverse ou si la pédale de commande ne permet pas de l'arrêter ou de la mettre en marche.

- Tenez la pédale de commande appuyée afin de vérifier qu'il n'y a pas de mauvais alignement ou de grippage des mécanismes et qu'il n'y ait pas de bruits bizarres ou autres conditions inhabituelles qui pourraient nuire à la sécurité et au fonctionnement normal de l'appareil. Le cas échéant, il sera nécessaire de faire réparer la machine.
- Mettez le sélecteur directionnel en position REV (marche arrière). Appuyez momentanément sur la pédale de commande. Vérifiez que la machine à fileter tourne bien à droite lorsque vous faites face au mandrin.
- Lâchez la pédale de commande et mettez le sélecteur directionnel en position OFF.

## Utilisation des Outils à Montage Direct

### ▲ MISE EN GARDE !



**Ne portez pas de gants ou de vêtements amples lors de l'utilisation de cette machine à fileter. Boutonnez vos manches de chemise et de blouson. Ne vous penchez pas sur l'appareil ou sur le tuyau.**

**N'utilisez pas la machine à fileter si sa pédale de commande est endommagée ou absente. Portez systématiquement une protection oculaire afin de protéger vos yeux contre la projection de débris.**

**Écartez vos mains du tuyau et des raccords lorsqu'ils tournent. Arrêtez l'appareil avant d'essayer les filets ou de visser un raccord. Attendez que la machine se soit arrêtée complètement avant de toucher le tuyau.**

**N'utilisez pas cet appareil pour enfiler ou débloquer les raccords. Cela ne fait pas partie des opérations prévues pour cette machine à fileter.**

## Installation des tuyaux dans la machine à fileter

1. Vérifiez que le coupe-tubes, l'alésoir et la tête de filière se trouvent en position relevée.
2. S'il est nécessaire de couper le tuyau, marquez-le à la longueur voulue.
3. Introduisez le tuyau dans la machine à fileter de manière à ce que l'extrémité à travailler ou, le cas

échéant, le repère de coupe se trouve à environ 12 pouces en avant du mandrin à serrage rapide.

4. Introduisez les ouvrages de moins de 2 pieds de long via l'avant de la machine. Introduisez les tuyaux plus longs d'un côté ou de l'autre, pourvu que la partie la plus longue du tuyau dépasse de l'arrière de la machine à fileter.

**▲ MISE EN GARDE** Placez des porte-tubes sous le tuyau afin d'éviter le renversement du matériel.

5. Serrez le dispositif de centrage arrière sur le tuyau en tournant à gauche le volant qui se trouve à l'arrière de la machine à fileter. Cela empêchera le déplacement du tuyau qui pourrait nuire à la qualité du filetage.
6. Serrez le tuyau en appliquant plusieurs coups secs à gauche sur le volant du mandrin à serrage rapide qui se trouve à l'avant de la machine à fileter. Ce 'martelage' assurera la bonne prise des mâchoires autour du tuyau.

## Coupe des tuyaux à l'aide du coupe-tubes n° 360

1. Relevez l'alésoir et la tête de filière.
2. Rabattez le coupe-tubes sur le tuyau et servez-vous du levier du chariot pour déplacer le chariot et aligner le galet de coupe sur le repère tracé.
3. Serrez la vis d'alimentation du coupe-tubes tout en gardant le galet de coupe aligné sur le repère.
4. Mettez-vous en position de travail appropriée (*Figure 3*).

**▲ MISE EN GARDE** Cela vous permettra de maintenir un bon équilibre et de pouvoir contrôler la machine et ses outils en toute sécurité.

- Assurez-vous de pouvoir rapidement retirer votre pied de la pédale de commande.
- Tenez-vous face au sélecteur directionnel.
- Assurez-vous de pouvoir accéder facilement au sélecteur directionnel, aux outils et aux mandrins.
- Ne vous penchez pas sur l'appareil ou sur l'ouvrage.

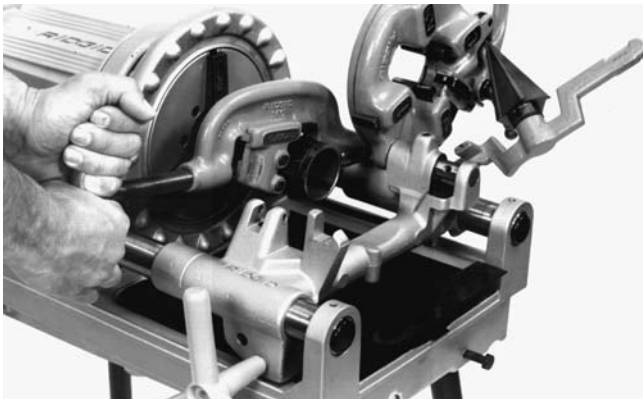


Figure 3 – Coupe des tuyaux à l'aide de la machine à fileter 300 Compact

5. Mettez le sélecteur directionnel en position FOR (marche avant).
6. Prenez la poignée d'avancement du coupe-tubes des deux mains (Figure 7).
7. Appuyez sur la pédale de commande avec votre pied gauche.
8. Serrez la poignée d'avancement du coupe-tubes lentement et uniformément jusqu'à ce que le tuyau soit coupé. Ne forcez pas le coupe-tubes sur le l'ouvrage.
9. Lâchez la pédale de commande et retirez votre pied de l'étrier.
10. Relevez le coupe-tubes.

### Alésage des tuyaux à l'aide de l'alésoir N° 344

1. Rabattez le bras de l'alésoir.
2. Vérifiez que le sélecteur directionnel se trouve bien en position FOR (marche avant). Appuyez sur la pédale de commande avec votre pied gauche.
3. Positionnez l'alésoir dans le tuyau et complétez l'alésage en tournant le volant (Figure 4).
4. Ramenez la barre de l'alésoir et relevez l'alésoir.
5. Lâchez la pédale de commande et retirez votre pied de l'étrier.

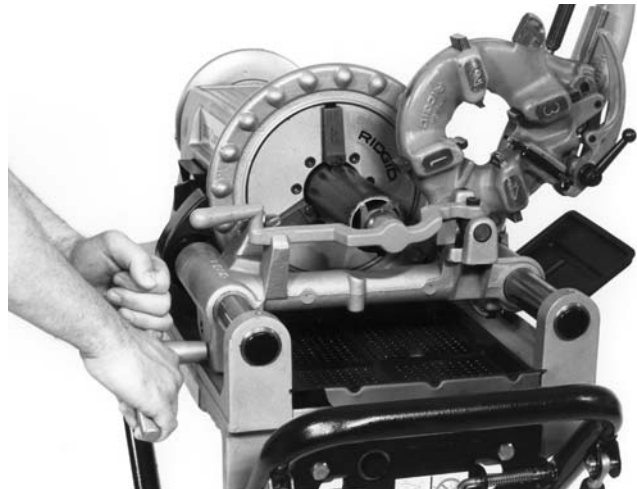


Figure 4 – Alésage des tuyaux à l'aide de l'alésoir n° 344

### Filetage des tuyaux et des tiges à l'aide des têtes de filière à ouverture rapide, automatique ou semi-automatique

1. Installez un jeu de filières. Reportez-vous aux instructions d'installation des filières.
2. Relevez le coupe-tubes et l'alésoir.
3. Rabattez la tête de filière avec le levier de butée en position CLOSE (fermer).
4. Vérifiez que le sélecteur directionnel se trouve bien en position FOR (marche avant). Appuyez sur la pédale de commande avec votre pied gauche.

NOTA ! Les machines type 300 Compact sont équipées d'un système de lubrification automatique qui amène de l'huile à travers la tête de filière et sur l'ouvrage. Le débit d'huile peut être ajusté à l'aide du robinet d'huile qui se trouve au dos du chariot (Figure 5).

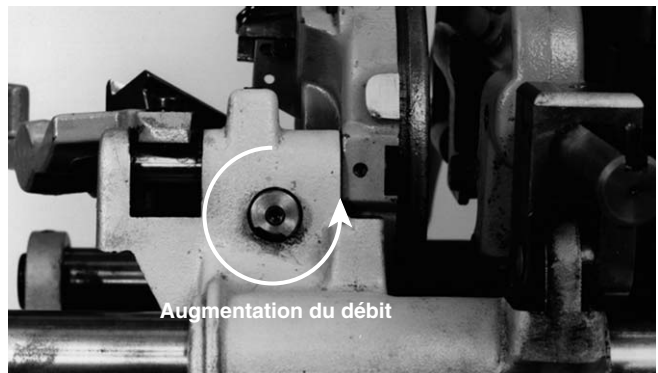


Figure 5 – Réglage du débit d'huile

5. Tournez le volant du chariot afin d'amener les filières contre l'extrémité du tuyau. Une légère pression sur le volant engagera les filières (Figure 6).

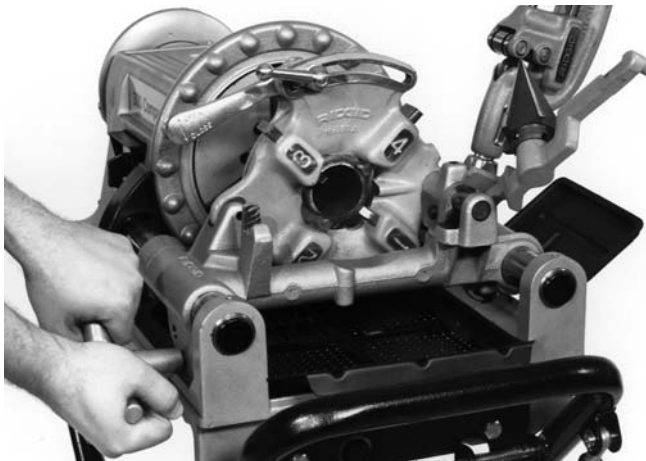


Figure 6 – Filetage des tuyaux à l'aide de la tête de filière à ouverture rapide n° 811-A

6. Tête de filière à ouverture rapide N° 811A (*Figure 7*) – Lorsque l'extrémité du tuyau en cours de filetage arrive à fleur de l'extrémité de la filière numéro 1, tournez le levier d'embrayage à la position OPEN (ouverte) pour ramener les filières.

Tête de filière à ouverture automatique N° 815A (*Figure 8*) – Lorsque la gâchette de la tête de filière entre en contact avec l'extrémité du tuyau, le levier d'embrayage s'ouvre automatiquement.

Tête de filière à ouverture semi-automatique (*Figure 9*) – Lorsque l'extrémité du tuyau en cours de filetage arrive à fleur de l'extrémité de la filière n° 1, tapez sur la poignée pour que les filières libèrent le tuyau.

7. Tournez le volant du chariot pour retirer la tête de filière du tuyau.  
8. Ramenez la tête de filière en position relevée.

### Retrait des tuyaux de la machine à fileter

1. Tournez sèchement le volant du mandrin à serrage rapide qui se trouve à l'avant de la machine à fileter à droite à plusieurs reprises afin de libérer l'ouvrage des mâchoires du mandrin à serrage rapide.
2. Le cas échéant, desserrez le dispositif de centrage arrière en tournant à droite le volant qui se trouve à l'arrière de la machine à fileter.
3. Retirez l'ouvrage de la machine à fileter en le tenant fermement lorsqu'il sort de la machine.

**▲ MISE EN GARDE** Avant de retirer un tuyau de grande longueur, assurez-vous que son extrémité la plus éloignée de la machine est soutenue afin d'éviter les

risques de blessure en cas de chute du tuyau ou de renversement du matériel.

4. Nettoyez toutes éclaboussures d'huile éventuelles autour de la machine à fileter.

### Installation des filières dans la tête de filière à ouverture rapide (filetages à droite et à gauche)

La tête de filière universelle N° 811A (*Figure 7*) pour filetages à droite utilise quatre jeux de filières pour couvrir le filetage des tuyaux allant de  $\frac{1}{8}$  à 2 po de diamètre. Un jeu de filières est nécessaire pour chacune des sections suivantes : ( $\frac{1}{8}$  po), ( $\frac{1}{4}$  à  $\frac{3}{8}$  po), ( $\frac{1}{2}$  à  $\frac{3}{4}$  po) et (1 à 2 po). Le filetage des tiges nécessite un jeu de filières spécial pour chaque section de tige. Il n'est pas prévu de filières à boulons pour les têtes de filière universelles à filetage à gauche.

1. Posez la tête de filière sur l'établi avec les chiffres vers le haut.
2. Mettez le levier d'embrayage à la position OPEN (ouverte).
3. Desserrez le levier de blocage de trois tours environ.
4. Retirez la languette de la rondelle de serrage qui se trouve dans la rainure sous la barre graduée. Poussez le levier d'embrayage jusqu'au bout de la rainure dans la direction de changement des filières indiquée sur la plaque à cames.
5. Retirez les filières de la tête de filière.
6. Enfoncez les nouvelles filières jusqu'à leur repère latéral. Les chiffres (1 à 4) des filières doivent correspondre à ceux de la tête de filière.
7. Ramenez le levier d'embrayage en arrière jusqu'à ce que la languette de la rondelle de serrage puisse retomber dans la rainure sous la barre graduée.
8. Réglez la barre graduée de la tête de filière pour amener le repère du bras de liaison face à la dimension voulue de la barre graduée. Pour le filetage des tiges, alignez le repère sur le repère BOLT (boulon) de la barre graduée.

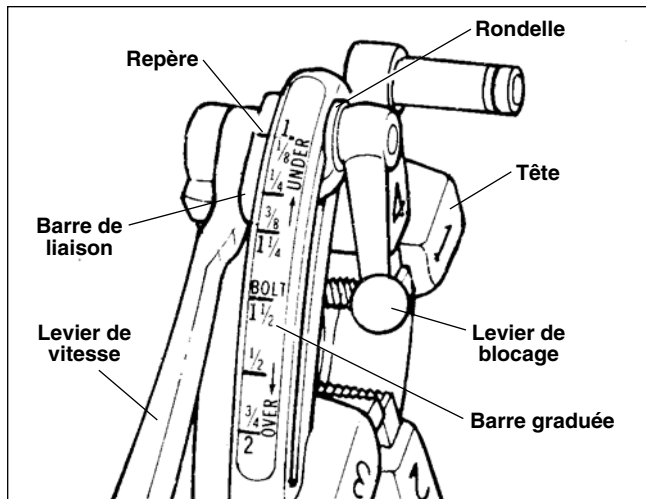


Figure 7 – Tête de filière universelle à ouverture rapide

9. Serrez le levier de blocage.
10. Pour effectuer un filetage surdimensionné ou sous-dimensionné, alignez le repère sur le repère approprié de la barre graduée en direction OVER (surdimensionné) ou UNDER (soudimensionné).

**Installation des filières dans la tête de filière à ouverture automatique (filetage à droite uniquement)**

La tête de filière à ouverture automatique N° 815A (Figure 12) nécessite quatre jeux de filières pour couvrir le filetage des tuyaux allant de 1/8 à 2 po de diamètre. Un jeu de filières est nécessaire pour chacune des sections de tuyau suivantes : (1/8 po), (1/4 à 3/8 po), (1/2 à 3/4 po), et (1 à 2 po). Le filetage des boulons nécessite un jeu de filières spécial pour chaque section de boulon.

1. Posez la tête de filière automatique verticalement sur l'établi.
2. Vérifiez que la gâchette est lâchée.
3. Desserrez le levier de blocage d'environ six tours complets.
4. Retirez la vis de blocage de la rainure sous la barre graduée de manière à ce que la goupille cylindrique de la vis de blocage échappe la rainure. Positionnez la barre graduée de manière à ce que la ligne de repérage de la vis de blocage s'aligne avec l'extrémité de la position REMOVE DIES (retirer filières).
5. Couchez la tête avec les chiffres vers le haut.
6. Retirez les filières de la tête de filière.
7. Enfoncez les nouvelles filières jusqu'à leur repère

latéral. Les chiffres (1 à 4) des filières doivent correspondre à ceux de la tête de filière.

8. Ramenez le levier d'embrayage en arrière pour verrouiller les filières.
9. Avec la tête en position verticale, tournez la plaque à cames jusqu'à ce que la goupille de la vis de blocage puisse être positionnée dans la rainure sous la barre graduée. Les filières seront alors verrouillées dans la tête de filière. Vérifiez que la goupille cylindrique est orientée vers l'extrémité de la barre graduée portant la mention REMOVE DIES (retirer filières).
10. Réglez la barre graduée de la tête de filière jusqu'à ce que le repère de la vis de blocage ou de la barre de liaison s'aligne avec le repère dimensionnel voulu de la barre graduée.

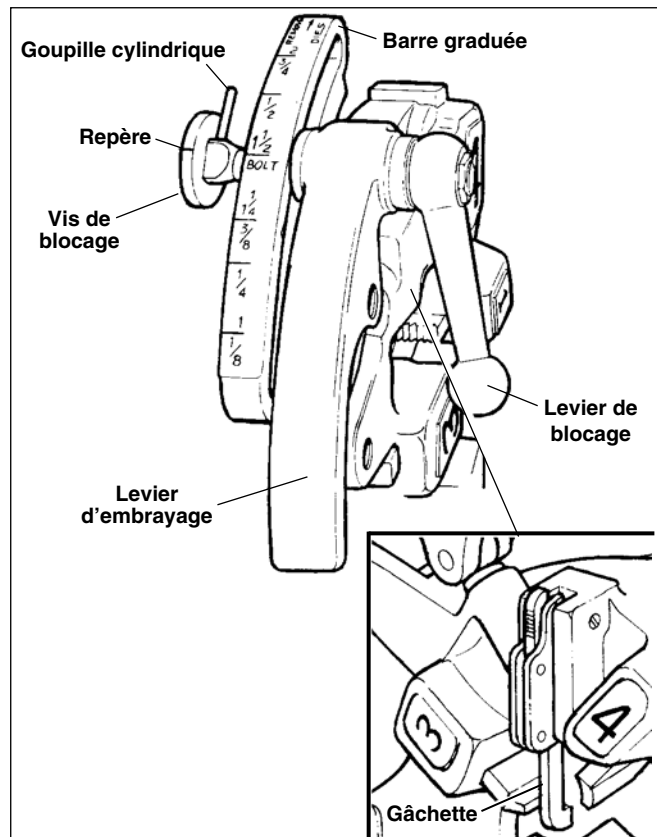


Figure 8 – Tête de filière universelle à ouverture automatique

11. Serrez le levier de blocage.
12. Pour effectuer un filetage surdimensionné ou sous-dimensionné, alignez le repère sur le repère approprié de la barre graduée en direction OVER (surdimensionné) ou UNDER (soudimensionné).

## Montage des filières sur les têtes de filière Modèle 816/817

La tête de filière semi-automatique (Figure 9) pour filetages à droite utilise quatre jeux de filières pour couvrir le filetage des tuyaux allant de  $1/8$  à 2 po de diamètre. Un jeu de filières est nécessaire pour chacune des sections suivantes : ( $1/8$  po), ( $1/4$  à  $3/8$  po), ( $1/2$  à  $3/4$  po) et (1 à 2 po). Le filetage des tiges nécessite un jeu de filières spécial pour chaque section de tige.

1. Appuyez sur la poignée pour faire reposer la plaque à cames (Figure 9 – tête de filière Modèle 816/817) contre la butée comme indiqué.
2. Couchez la tête de filière à plat sur une table ou un établi avec les chiffres vers le haut.
3. Tirez sur la manette du piston et poussez la poignée complètement à gauche.
4. Sélectionnez les filières appropriées en fonction de la section désirée. (La section est indiquée à l'arrière ou en surface des filières.)
5. Les chiffres indiqués sur les filières doivent correspondre à ceux des logements de la tête de filière. Introduisez les filières jusqu'au repère avec le bord numéroté vers le haut.
6. Ramenez la poignée à droite pour que la manette du piston retombe à fleur de la tête de filière.

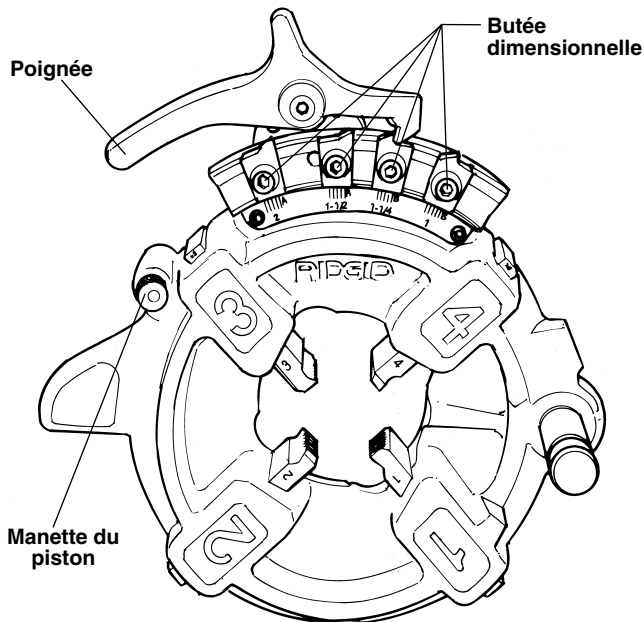


Figure 9 – Tête de filière semi-automatique

7. Pour sélectionner ou régler une dimension voulue, desserrez la vis du bloc de dimension correspondant, déplacez le bloc vers la droite pour un filetage

sousdimensionné et à gauche pour le surdimensionner. Lors du réglage des blocs avec de nouvelles filières, commencez par la position centrale et partez de là.

## Vérification de la longueur des filetages

1. La longueur des filetages sera correcte lorsque l'extrémité du tuyau arrive à fleur de l'arrêt des filières (Figure 10).
2. La tête de filière peut être réglée de manière à obtenir le diamètre de filets nécessaire. Si possible, contrôlez les filets à l'aide d'une jauge à filets (Figure 10). Le filetage est correct lorsque l'extrémité du tuyau se trouve à plus ou moins un tour d'être à fleur de la surface de la jauge à filets.

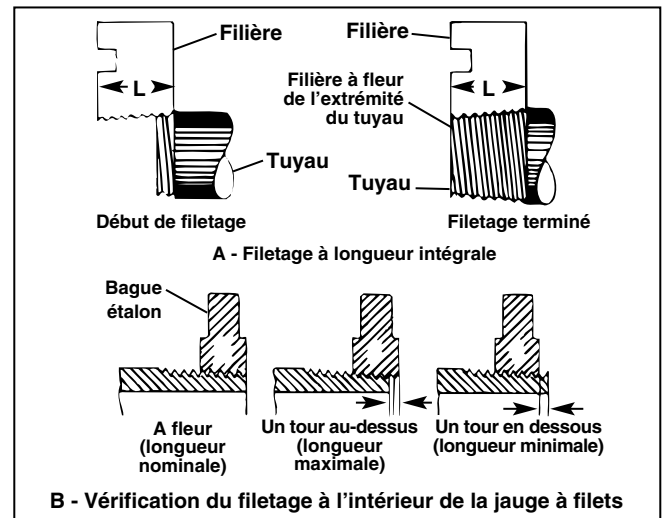


Figure 10 – Vérification de la longueur des filetages

NOTA ! A défaut d'une jauge à filets, un raccord fileté peut être utilisé. Ce raccord doit être représentatif des ceux utilisés sur le chantier. Le tuyau doit être fileté sur une distance suffisante pour permettre au raccord entre deux et trois tours de serrage à la main. Si le filetage du tuyau ne correspond pas au diamètre voulu, déplacez l'index en direction des repères OVER (surdimensionné) ou UNDER (sousdimensionné) de la barre de calibrage. (Reportez-vous à la section "Installation des têtes de filière").

**Adaptateur de rainureuse n° 916 pour 300 Compact**

NOTA ! Cet adaptateur est nécessaire pour le montage de la rainureuse à galet n° 916 sur la machine à fileter 300 Compact.

NOTA ! Le support n° 250 doit être relevé et verrouillé avant d'installer l'adaptateur de la 916.

1. Relevez le coupe-tubes, la tête de filière et l'alésoir.
2. Amenez le chariot aussi près que possible du volant.
3. L'adaptateur de la 916 doit être orienté de manière à ce que ses rails de prolongation dépassent à l'avant de la machine. Notez que la broche de retenue est attachée du côté 'opérateur' de l'adaptateur de la 916.
4. Attachez l'adaptateur à la 300 Compact en plaçant sa selle sur le rail arrière (opposé) et en rabaissant le côté 'opérateur' de l'adaptateur sur le rail côté 'opérateur'. La partie centrale de l'adaptateur recouvrira les rails avant de la 300 Compact (Figure 15).

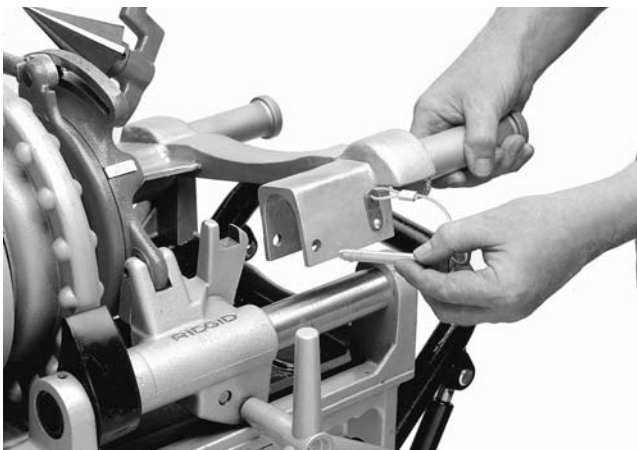


Figure 11 – Broche de verrouillage sur adaptateur de la 916

5. Introduisez la broche de retenue à travers les orifices prévus en vous assurant que la broche traverse bien les deux orifices. La broche doit être correctement installée afin d'assurer le verrouillage de l'adaptateur.
6. Attachez la rainureuse n° 916 aux rails de prolongation de l'adaptateur comme indiqué à l'article 4 précédent (Figure 16).
7. Introduisez la barre d'entraînement dans le mandrin. Ne serrez pas encore le mandrin.
8. Attachez l'extrémité ouverte de la barre d'entraînement au poteau d'entraînement qui se trouve à l'arrière de la rainureuse n° 916 en faisant attention

de bien serrer les vis de blocage de la tête de la barre d'entraînement sur les plats du poteau d'entraînement de la 916.

9. Centrez la barre d'entraînement dans le mandrin et serrez le mandrin à fond à coups de volant.
10. Tournez le bouton de la machine à la position voulue, puis procédez au rainurage.

**▲ MISE EN GARDE !**

**Familiarisez-vous complètement avec le mode d'emploi de la rainureuse à galets 916 avant de commencer à rainurer des tuyaux.**

NOTA ! Avant de transporter la 300 Compact montée sur le support n° 250, il est IMPERATIF d'enlever la rainureuse à galets n° 916 et son adaptateur. Ceux-ci empêcheraient le support n° 250 de se verrouiller en position repliée.



Figure 12 – Rainureuse à galets modèle 916 et adaptateur montés sur la 300 Compact.

**Accessoires**

**▲ MISE EN GARDE !**

**Seuls les produits RIDGID suivants sont prévus pour fonctionner avec la machine à fileter 300 Compact. Les accessoires prévus pour d'autres types d'appareil peuvent être dangereux s'ils sont utilisés avec cette machine à fileter. Afin d'éviter de graves blessures, servez-vous exclusivement des accessoires indiqués ci-dessous.**



## Accessoires pour machine à fileter

### Têtes de filières :

Modèle	Ø tuyaux	Ø boulons	Filières	Ouverture	Filetage
811A NPT	1/8 à 2 po	1/4 à 2 po	Universelles	Rapide	à droite
815A NPT	1/8 à 2 po	1/4 à 2 po	Universelles	Automatique	à droite
842 NPT	1/4 à 2 po	–	Universelles	Rapide	à gauche
816 NPT	1/8 à 3/4 po	–	Universelles	TAP	à droite
817 NPT	1 à 2 po	1/4 à 2 po	Universelles	TAP	à droite
811A BSPT	1/8 à 2 po	1/4 à 2 po	Universelles	Rapide	à droite
815A BSPT	1/8 à 2 po	1/4 à 2 po	Universelles	Automatique	à droite
531 Boulon	–	1/4 à 1 po	500B	Rapide	droite/gauche
532 Boulon	–	1 1/8 à 2 po	500B	Rapide	droite/gauche

### Supports :

- Support pliant n° 250
- Support roulant avec coffret n° 200
- Support roulant avec plateau n° 150
- Support fixe avec plateau n° 100

### Porte-tubes

VJ99; VJ98; RJ99

Adaptateur pour Rainureuse n° 916 (réf. n° 67662)

Mandrin à raccords n° 819 (filetage à droite uniquement)

- Adaptateurs pour tuyaux.....1/8 à 1 1/2 po
- Adaptateurs pour tiges.....1/4 à 2 po (UNC)  
1/4 à 1 1/2 po (UNF)

Mâchoires pour tuyaux enduits

## Accessoires pour filetage des raccords directs

Biellette d'entraînement n° 768 avec barre d'entraînement n° 844

Fileteuse démultipliée n° 141 pour filetages Ø 2 1/2" à 4"

Porte-tubes VJ-99 et RJ-99

NOTA ! Consultez le catalogue Ridge Tool pour la liste complète des porte-tubes, huiles de coupe et filières disponibles.

## Entretien

### ▲ MISE EN GARDE !

Assurez-vous que l'appareil est débranché avant tout entretien ou réglage.

### Lubrification

Une bonne lubrification est essentielle à la fiabilité et à la longévité du système d'entraînement.

Deux graisseurs sont prévus sur le capot pour la lubrification des paliers avant et arrière de la machine (Figure 13). Ces paliers doivent être graissés régulièrement, selon l'intensité d'utilisation de la machine.

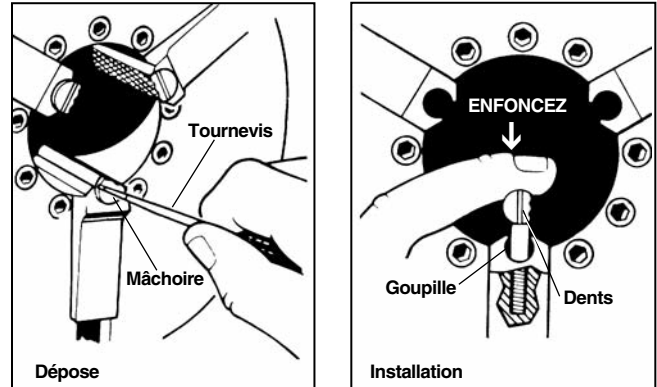


Figure 13 – Points de lubrification des paliers

## Entretien du système de lubrification

Le système de lubrification doit être nettoyé selon la méthode suivante afin d'assurer le bon fonctionnement de la machine à fileter :

1. Changez l'huile de coupe lorsqu'elle devient sale ou contaminée. Pour vidanger l'huile, placez un récipient sous le bouchon de vidange et enlevez le bouchon.
2. Nettoyez le tamis de filtration d'huile régulièrement afin de maintenir un débit d'huile propre et adéquat vers l'ouvrage. Le tamis de filtration est situé en bas du réservoir d'huile. Pour nettoyer le tamis de filtration, desserrez la vis qui retient le filtre à l'embase et retirez le filtre de la conduite de lubrification. Nettoyez le tamis de filtration dans du solvant suivi, si possible, d'un soufflage à l'air comprimé. Ne laissez pas tourner la machine sans son tamis de filtration d'huile.

NOTA ! L'huile de coupe RIDGID Thread Cutting Oil assure à la fois des filetages de haute qualité et la longévité des filières. Consultez les étiquettes des bidons d'huile pour les consignes d'utilisation et de manipulation correspondantes. Le recyclage de l'huile doit se faire selon les prévisions réglementaires applicables.

## Remplacement des mâchoires

NOTA ! Lorsque les dents des mâchoires deviennent usées au point de ne plus retenir le tuyau ou la tige durant le filetage, remplacez le jeu complet de mâchoires. Nettoyez les dents de mâchoire quotidiennement avec une brosse métallique.

1. Introduisez un tournevis dans l'encoche de la mâchoire et tournez-le d'un quart de tour d'un côté ou de l'autre.
2. Placez la mâchoire latéralement sur la goupille de verrouillage et enfoncez-la aussi loin que possible.
3. Tenez la mâchoire appuyée avec un tournevis, puis tournez-la jusqu'à ce que ses dents se trouvent vers le haut.

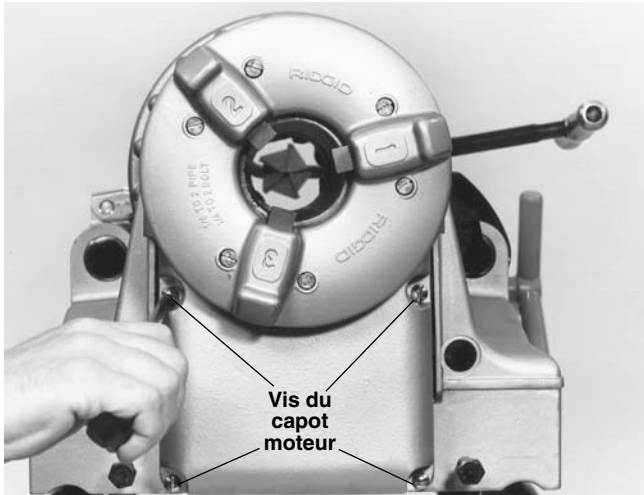


Figure 14 – Remplacement des mâchoires

### Remplacement des balais du moteur

NOTA ! Vérifiez les balais du moteur tous les six (6) mois et remplacez-les dès qu'ils sont usés à moins de 1/2 po.

1. Débranchez la machine.
2. Desserrez complètement les quatre vis de retenue du capot moteur et retirez le capot (Figure 19).

Figure 15 – Desserrage des vis du capot moteur

3. Desserrez les porte-balais et retirez les balais.
4. Installez les nouveaux balais.
5. Réinstallez les porte-balais et le capot moteur.

**▲ MISE EN GARDE** Ne pas utiliser la machine sans son capot. Réinstallez le capot dès que vous avez remplacé les balais.

### Stockage de la machine

**▲ MISE EN GARDE** Tout matériel électrique doit être rangé à l'intérieur ou bien protégé en cas de pluie. Stockez la machine dans un local fermé à clé et hors de la portée des enfants et des individus non accoutumés aux machines à fileter. Cette machine peut provoquer de graves blessures entre les mains d'un utilisateur sans formation.

## Service après-vente

### ▲ MISE EN GARDE !



L'entretien et la réparation de cette machine à fileter doivent être confiés à un réparateur qualifié. La machine doit être confiée à un réparateur RIDGID indépendant ou renvoyée à l'usine. Toutes réparations effectuées par les services techniques Ridge sont garanties contre les vices de matériel et de main d'œuvre.

**▲ MISE EN GARDE** Des pièces de rechange identiques aux pièces d'origine doivent être utilisées lors de toute intervention sur cette machine. Le non-respect de cette consigne pourrait créer un risque de choc électrique ou d'autre grave blessure corporelle.

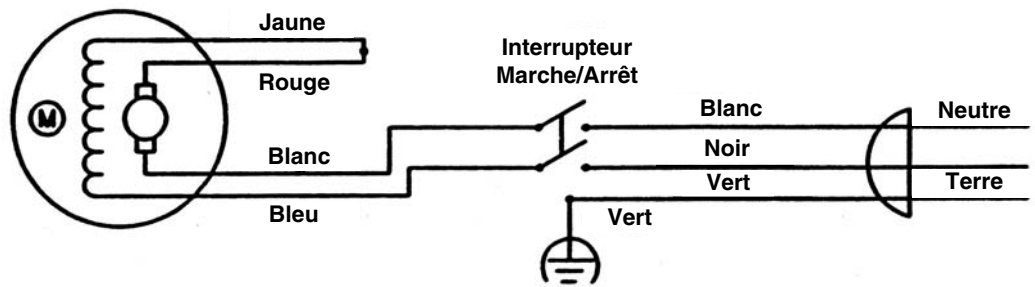
En cas de questions concernant l'entretien ou la réparation de cet appareil veuillez appeler ou écrire selon les coordonnées suivantes :

Ridge Tool Company  
 Technical Service Department  
 400 Clark Street  
 Elyria, Ohio 44035-6001  
 Tél. : (800) 519-3456  
 E-Mail : rtctechservices@emerson.com

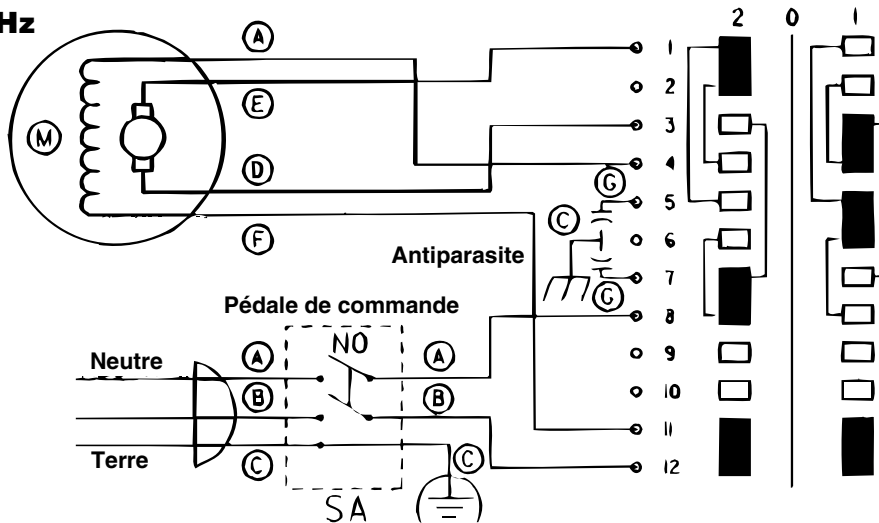
Pour obtenir les coordonnées du réparateur agréé le plus proche, veuillez consulter la Ridge Tool Company au (800) 519-3456 ou <http://www.RIDGID.com>

## Schémas électriques

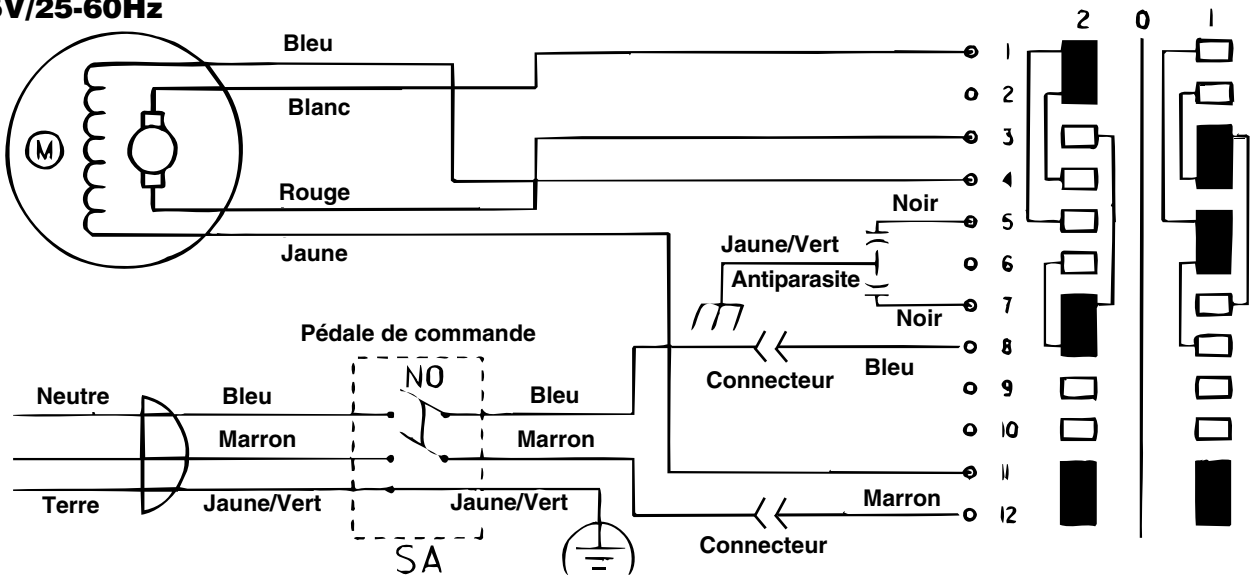
**115/230V  
(Extrême Orient)**



**230V/25-60Hz**

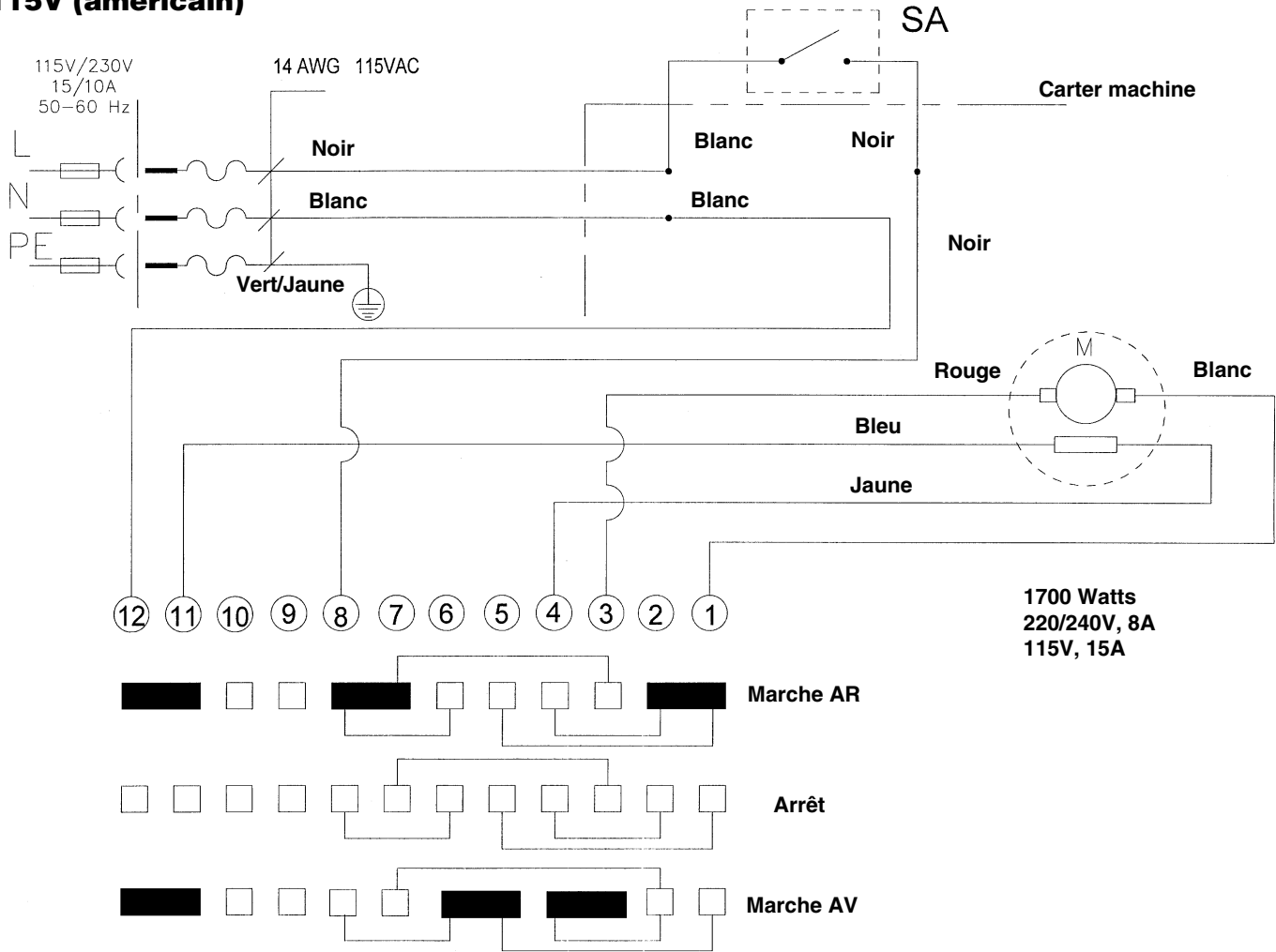


**115V/25-60Hz**

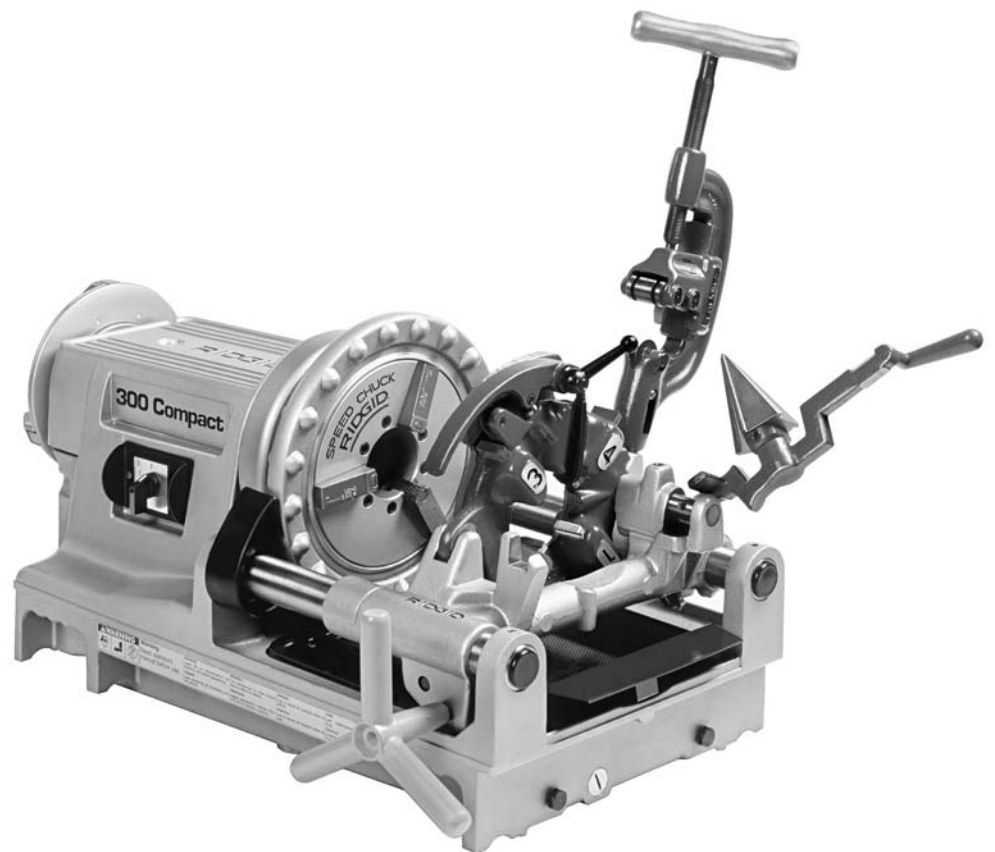


## Schémas électriques (suite)

### 115V (américain)



# Máquina Roscadora de tubos y pernos No. 300 Compacta



## Máquina Roscadora de tubos y pernos No. 300 Compacta

Apunte aquí el número de serie del producto. Se encuentra en su placa de características.

No. de  
Serie

No. de Serie	
-----------------	--

# Índice

<b>Ficha para apuntar el Número de Serie de la máquina</b> .....	35
<b>Información general de seguridad</b>	
Zona de trabajo .....	37
Seguridad eléctrica .....	37
Seguridad personal .....	37
Uso y cuidado de la máquina .....	38
Servicio .....	38
<b>Información específica de seguridad</b>	
Seguridad del interruptor de pie .....	38
Seguridad de la máquina.....	39
<b>Descripción, especificaciones y accesorios</b>	
Descripción .....	39
Especificaciones .....	39
<b>Montaje de la máquina</b> .....	40
<b>Revisión de la máquina</b> .....	41
<b>Preparación de la máquina y de la zona de trabajo</b> .....	42
<b>Empleo de herramientas montadas a la máquina</b>	
Instalación del tubo .....	43
Corte de tubos con el Corta-tubos No. 360 .....	43
Escariado de tubos con el Escariador No. 344 .....	44
Roscado de tubos o vástagos con Cabezales de Terrajas de Apertura Rápida, de Auto-apertura o Semiautomáticos.....	44
Extracción del tubo .....	45
Instalación de terrajas en Cabezales de Terrajas de Apertura Rápida (a mano derecha y a mano izquierda).....	45
Instalación de terrajas en un Cabezal de Terrajas de Auto-apertura (solamente a mano derecha) .....	46
Instalación de terrajas en un Cabezal de Terrajas Semiautomático .....	47
Verificación de la longitud de la rosca .....	47
Brazo adaptador para montar el Ranurador No. 916 a la Compacta 300 .....	48
<b>Accesorios</b> .....	49
<b>Instrucciones para el mantenimiento</b>	
Lubricación .....	49
Mantenimiento del sistema de lubricación.....	50
Recambio de las piezas de inserción para las mordazas .....	50
Recambio de las escobillas del motor .....	50
<b>Almacenamiento de la máquina</b> .....	51
<b>Servicio y reparaciones</b> .....	51
<b>Diagramas de cableado</b> .....	51-52
<b>Garantía vitalicia</b> .....	carátula posterior

## Información general de seguridad

**¡ADVERTENCIA!** Lea y comprenda todas las instrucciones. Pueden ocurrir golpes eléctricos, incendios y/o lesiones personales graves si no se siguen todas las instrucciones detalladas a continuación.

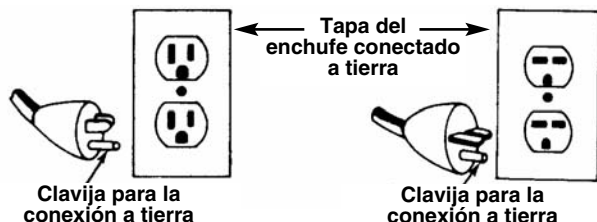
### **¡GUARDE ESTAS INSTRUCCIONES!**

#### Seguridad en la zona de trabajo

- Mantenga su área de trabajo limpia y bien iluminada. Los bancos de trabajo desordenados y las zonas oscuras invitan a que se produzcan accidentes.
- No haga funcionar máquinas motorizadas en atmósferas explosivas, como por ejemplo, en la presencia de líquidos, gases o polvos inflamables. Las máquinas generan chispas que pueden encender el polvo o los gases.
- Al hacer funcionar una máquina, mantenga apartados a los espectadores, niños y visitantes. Las distracciones pueden hacerle perder el control de la máquina.
- Mantenga el piso seco y libre de materiales resbaladizos, como aceites. Los suelos resbalosos provocan accidentes.
- Vigile y rodee la zona de trabajo con barreras cuando la pieza de trabajo se extienda más allá de la máquina. Una barricada que deje un mínimo de tres (3) pies de espacio alrededor de la pieza de trabajo reducirá el riesgo de enganches.

#### Seguridad eléctrica

- Las máquinas provistas de una conexión a tierra deben ser enchufadas a un tomacorriente debidamente instalado y conectado a tierra de acuerdo con todos los códigos y reglamentos. Jamás extraiga del enchufe de la máquina la tercera clavija que conduce a tierra ni lo modifique de manera alguna. No use ningún tipo de enchufes adaptadores. Consulte a un electricista calificado si no puede determinar si el tomacorriente está debidamente conectado a tierra. En el caso de que la máquina sufra una avería eléctrica o de otro tipo, la conexión a tierra proporciona una vía de baja resistencia para conducir la electricidad lejos del usuario.



- Evite que su cuerpo haga contacto con superficies conectadas a tierra. Si su cuerpo queda conectado a tierra, aumenta el riesgo de que sufra un choque eléctrico.
- No exponga las máquinas eléctricas a la lluvia o a condiciones mojadas. Si agua penetra en una máquina a motor, aumenta el riesgo de que se produzca un golpe eléctrico.
- No maltrate el cordón. Nunca use el cordón para sacar el enchufe del tomacorriente. Mantenga el cordón lejos de fuentes de calor, aceite, bordes cortantes o piezas móviles. Recambie los cordones dañados de inmediato. Los cordones en mal estado aumentan los riesgos de que se produzca un choque eléctrico.
- Al hacer funcionar una máquina a motor a la intemperie, emplee un cordón de extensión fabricado para uso exterior y rotulado "W-A" o "W". Estos cordones han sido diseñados para su empleo al aire libre y reducen el riesgo de que se produzca un choque eléctrico.
- Use solamente un cordón de extensión de tres alambres equipado con un enchufe de tres clavijas para conexión a tierra, y tomacorrientes tripolares que acojan a las tres clavijas del enchufe de la máquina. Otros alargadores no conectarán la máquina a tierra y aumentarán el riesgo de que se produzca un choque eléctrico.
- Use cordones de extensión apropiados. (Vea la tabla). Una dimensión insuficiente del conductor causará una caída excesiva del voltaje y una pérdida de potencia.

Dimensión mínima de alambre para cordones de extensión			
Amperios en la placa de características	Longitud total (en pies)		
	0-25	26-50	51-100
0-6	18 AWG	16 AWG	16 AWG
6-10	18 AWG	16 AWG	14 AWG
10-12	16 AWG	16 AWG	14 AWG
12-16	14 AWG	12 AWG	NO SE RECOMIENDA

- Mantenga todas las conexiones eléctricas secas y levantadas del suelo. No toque los enchufes o la máquina con las manos mojadas. De esta manera se evita un choque eléctrico.

#### Seguridad personal

- Manténgase alerta, preste atención a lo que está haciendo y use sentido común cuando trabaje con una máquina a motor. No la use si está cansado o se encuentra bajo la influencia de drogas,

**alcohol o medicamentos.** Sólo un breve descuido mientras hace funcionar una máquina a motor puede resultar en lesiones personales graves.

- **Vístase adecuadamente. No lleve ropa suelta ni joyas. Amarre una cabellera larga. Mantenga su cabello, ropa y guantes apartados de las piezas en movimiento.** La ropa suelta, las joyas o el pelo largo pueden engancharse en la piezas móviles.
- **Evite echar a andar la máquina sin querer. Antes de enchufarla, asegure que su interruptor se encuentre en la posición OFF (apagado).** Enchufar máquinas que tienen el interruptor en la posición de encendido (ON) constituye una invitación a que se produzcan accidentes.
- **Antes de colocar el interruptor en la posición de ON (encendido) extraiga todas las llaves de regulación.** Una llave mecánica o una llave que se haya dejado acoplada a una pieza giratoria de la máquina puede ocasionar lesiones personales.
- **No trate de extender su cuerpo para alcanzar algo. Mantenga sus pies firmes en tierra y un buen equilibrio en todo momento.** Al mantener el equilibrio y los pies firmes, tendrá mejor control sobre la máquina en situaciones inesperadas.
- **Use equipo de seguridad. Siempre lleve protección para la vista.** Cuando las condiciones lo requieran, debe usar mascarilla para el polvo, calzado de seguridad antideslizante, casco duro o protección para los oídos.

### Uso y cuidado de la máquina

- **Si el conmutador de ENCENDIDO/APAGADO no funciona, no use la máquina.** Cualquier máquina que no pueda ser controlada mediante su interruptor es peligrosa y debe ser reparada.
- **Antes de efectuar trabajos de regulación, de cambiar accesorios o de almacenar la máquina, desconecte el enchufe de la fuente de corriente eléctrica.** Este tipo de seguridad preventiva reduce el riesgo de poner la máquina en marcha involuntariamente.
- **Almacene las máquinas que no estén en uso fuera del alcance de los niños y de otras personas sin entrenamiento.** Las herramientas son peligrosas en las manos de usuarios no capacitados.
- **Verifique si las piezas móviles están desalineadas o agarrotadas, si hay piezas quebradas y si existe cualquiera otra condición que pueda afectar el funcionamiento de la máquina.** En el

**caso de estar dañada, antes de usar la máquina, hágala componer.** Numerosos accidentes son causados por herramientas que no han recibido un mantenimiento adecuado.

- **Solamente use accesorios recomendados para su modelo.** Los accesorios que son los adecuados para una máquina pueden ser peligrosos acoplados a otra máquina.
- **Mantenga los mangos limpios y secos, libres de aceite y grasa.** Esto permite un mejor control de la máquina.

### Servicio

- **Los trabajos de servicio a la máquina sólo deben ser efectuados por personal de reparación calificado.** El servicio o mantenimiento practicado por personal no calificado para efectuar reparaciones puede resultar en lesiones.
- **Cuando le haga mantenimiento a una herramienta, debe usar únicamente repuestos o piezas de recambio idénticas. Siga las instrucciones en la Sección de Mantenimiento de este manual.** Pueden producirse choques eléctricos o lesiones personales si no se emplean piezas y partes autorizadas o si no se siguen las instrucciones de mantenimiento.

## Información específica de seguridad

### ⚠ ADVERTENCIA

**Lea este Manual del Operario cuidadosamente antes de usar la Roscadora Compacta No. 300. Pueden producirse choques eléctricos, incendios y/o graves lesiones personales si no se comprenden y siguen todas las instrucciones de este manual.**

Si tiene cualquier pregunta, llame al Departamento de Servicio Técnico de Ridge Tool Company al (800) 519-3456.

### Seguridad del Interruptor de Pie

### ⚠ ADVERTENCIA

**El uso de una máquina roscadora sin un interruptor de pie aumenta el riesgo de que se produzca una lesión personal grave. El interruptor de pie le permite controlar la máquina porque con sólo quitar el pie se apaga el motor. Si la ropa se le llegara a enganchar en la máquina, continuará enrollándose tirándolo a usted hacia la máquina. Debido a que la máquina dispone de un elevado par de torsión, la ropa misma puede**



**envolvérsele alrededor del brazo u otras partes del cuerpo con suficiente fuerza como para triturarle o quebrarle los huesos.**

### Seguridad de la máquina

- La Máquina Roscadora ha sido diseñada para roscar y cortar tubos o pernos y para propulsar equipos de ranurado a rodillos. Siga las instrucciones para usar esta máquina correctamente. No la emplee para otros propósitos tales como la perforación de agujeros o para girar un torno o malacate. Usar esta Roscadora para otras tareas o hacerle modificaciones para someterla a otros usos aumentará el riesgo de que se produzcan lesiones.
- Asegure la máquina a un banco o a un soporte. Apoye los tubos largos y pesados con soportes para tubos. Esto evitará que la máquina se vuelque.
- No lleve guantes ni ropa suelta cuando la máquina esté en funcionamiento. Mantenga las mangas y las chaquetas abotonadas. No extienda su cuerpo sobre la máquina ni el tubo. La ropa se le puede enganchar en el tubo y causar graves lesiones personales.
- Haga funcionar la máquina desde el lado en que se encuentra el interruptor de REV/OFF/FOR (reversa/apagada/adelante). Esto elimina la necesidad de extender su cuerpo por encima de la máquina.
- No use la máquina si le falta el interruptor de pie o está averiado. El interruptor de pie es un dispositivo de seguridad diseñado para evitar lesiones graves.
- Mantenga sus manos apartadas de los tubos y fittings que giran. Detenga la máquina antes de limpiar las roscas de un tubo o de atornillar un acoplamiento o fitting. Permita que la máquina se detenga por completo antes de tocar el tubo o los portaherramientas de la máquina. Estas prácticas evitarán los enganches y que usted se lesione de gravedad.
- No emplee esta máquina para fabricar o quebrar acoplamientos o fittings. La máquina no fue fabricada para dichas tareas, y puede ocasionar lesiones graves.
- Apriete el volante del mandril y enganche el dispositivo de centrado trasero contra el tubo antes de poner la máquina en funcionamiento. Así se evita la oscilación del tubo.

- Mantenga las tapas o cubiertas de la máquina en su lugar. No la haga funcionar sin sus cubiertas. Ud. puede ser herido de gravedad si una parte de su cuerpo se engancha en una pieza movable.
- Cuando no se use la máquina, bloquee el interruptor de pie con su pestillo (Figura 1). Esto evita la puesta en marcha involuntaria de la máquina.

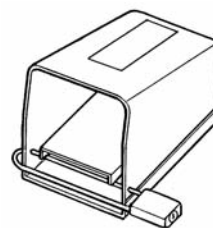


Figura 1 – Interruptor de Pie con pestillo

## Descripción, especificaciones y equipo estándar

### Descripción

La máquina Roscadora Compacta Modelo 300 de RIDGID es una máquina eléctrica motorizada que centra y sujeta en su portaherramientas o mandril un tubo, conducto, o vástago (de pernos o tornillos), haciéndolo girar mientras lo rosca, lo corta o lo escaria. El interruptor de REV/OFF/FOR (reversa/apagado/adelante) permite la selección de un funcionamiento hacia la derecha o izquierda. Las terrajas roscadoras se montan en cabezales de terrajas de auto-apertura o de apertura rápida. La máquina cuenta con un sistema de aceitado automático para lubricar la pieza de trabajo.

La máquina Roscadora RIDGID Modelo 300 Compacta también puede usarse como impulsora de un equipo de ranurado a rodillos. Cuando se acopla al riel del carro de la Roscadora, el equipo de ranurado a rodillos labra ranuras estándar en tubos de una variedad de tamaños y materiales.

### Especificaciones

Capacidad de roscado	....tubos de 1/8 a 2 pulgadas pernos de 1/4 a 2 pulgadas
Mandril.....	portaherramientas de agarre rápido con inserciones reemplazables para la mordaza
Dispositivo de centrado trasero	.....a tornillo, gira con el mandril
Velocidad de funcionamiento	.....38 rpm ó 52 rpm

**Motor:**

- Tipo ..... universal
- Fuerza ..... 1/2 hp
- Voltaje ..... corriente alterna monofásica  
120V, 25-60 Hz (230V a pedido)
- Amperaje ..... 15 amps (36 rpm)  
18 amps (54 rpm)

- Controles ..... conmutador rotatorio  
FOR/OFF/REV (adelante/apagado/reversa), e interruptor de pie ON/OFF (encendido/apagado)

- Bomba ..... del tipo Gerotor

- Cortatubos ..... No. 360 – de rueda, auto-centrante y completamente flotante.  
Tubos: de 1/8 hasta 2 pulgadas  
Pernos: de 1/4 hasta 1 pulgada

- Escariador ..... No. 344 – cono de 5 estrías, a mano derecha.  
Tubos: de 1/8 hasta 2 pulgadas

- Peso ..... 115 libras

**Equipo estándar**
**Máquina Roscadora Manual Modelo No. 535 con interruptor de pie**

- 1 – Cabezal de terrajas universal de apertura rápida No. 811-A
- 1 – Escariador No. 344
- 1 – Cortatubos No. 360
- 1 – juego de terrajas universales de aleación de 1/2 a 3/4 pulgadas
- 1 – juego de terrajas universales de aleación de 1 a 2 pulgadas
- 1 – galón de aceite Nu-Clear

**Máquinas**

No. en el catálogo	Modelo No.	Descripción 115V 25-60 Hz	rpm	voltios
66947	Compacta 300	1/2 a 2 pulgs. NPT	38	115
67182	Kit de la Compacta 300	1/2 a 2 pulgs. NPT – incluye Soporte abatible con ruedas Modelo 250	38	115
73447	Compacta 300	1/2 a 2 pulgs. NPT, 115v, 25-60Hz	52	115
75602	Kit de la Compacta 300	1/2 a 2 pulgs. NPT, 115v, 25-60Hz – incluye Soporte abatible con ruedas Modelo 250	52	115
58752	Compacta 300	1/2 a 2 pulgs. BSPT, 230v, 25-60Hz (Australia solamente)	38	230
58757	Compacta 300	1/2 a 2 pulgs. NPT, 230v, 25-60Hz (para exportación solamente)	38	230

Todas las máquinas cuentan con un motor universal monofásico de 25 a 60 Hz y 1/2 hp.

**iNOTA!** Las terrajas NPT son únicamente para cabezales de terrajas NPT. Las terrajas BSPT son únicamente para cabezales de terrajas BSPT. Al formular un pedido, por favor indique el número de la pieza en el catálogo. Se recomienda el uso de terrajas de alta velocidad con máquinas de 52 rpm o más.

**Montaje de la máquina**
**⚠ ADVERTENCIA**

**Se requiere montar la Roscadora correctamente para evitar lesiones de gravedad. Deben seguirse los siguientes procedimientos:**

**Montaje de la máquina sobre un soporte**

La máquina puede montarse en cualquiera de los cuatro soportes listados a continuación.

**Soportes para la máquina**

Modelo No.	Descripción
250	Soporte abatible con ruedas
100A	Soporte universal con patas y bandeja
150A	Soporte universal con ruedas y bandeja
200A	Soporte universal con ruedas y armario

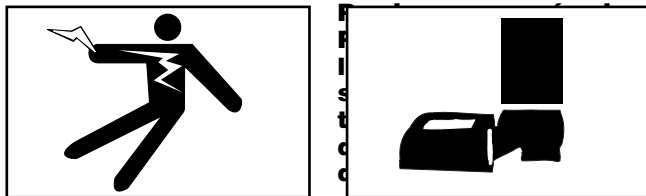
**Montaje de la máquina sobre un banco**

- Si no se emplea un soporte, la máquina debe montarse sobre un banco estable. Para montarla sobre un banco, atornille cuatro (4) pernos de 5/16 pulgada por los agujeros provistos en las cuatro esquinas de la base de la máquina.

**⚠ ADVERTENCIA** Si no se monta la máquina roscadora sobre un soporte o banco estable, la máquina puede volcarse y causar lesiones graves.

## Revisión de la máquina

### ⚠ ADVERTENCIA



1. Asegure que la Roscadora esté desenchufada y que su conmutador direccional se encuentre en la posición de OFF (apagado) (Figura 2).

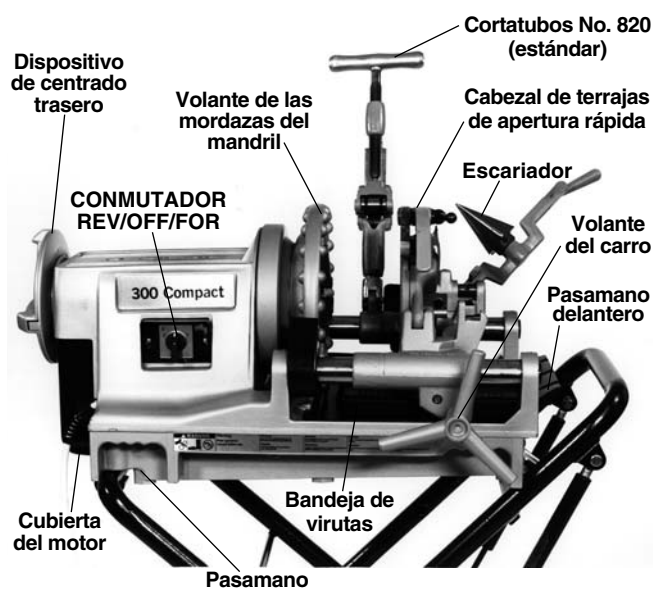


Figura 2 – Roscadora Compacta No. 300

2. Limpie las mordazas del mandril con una escobilla metálica.
3. Revise las piezas de inserción de las mordazas por si están desgastadas en exceso. Consulte las Instrucciones de Mantenimiento si necesitan recambio.

¡NOTA! Para impedir que las piezas de trabajo revestidas o las plásticas se dañen, deben usarse inserciones especiales para las mordazas (No. 97365).

4. Asegure que el interruptor de pie esté presente y acoplado a la Roscadora.

**⚠ ADVERTENCIA** No haga funcionar la Máquina Roscadora sin su interruptor de pie.

5. Inspeccione el cordón eléctrico y el enchufe para comprobar que están en buen estado. Si el enchufe ha sido modificado, no tiene su clavija de conexión a tierra, o el cordón está dañado, no use la Roscadora hasta que el cordón haya sido cambiado.

6. Revise la Roscadora para asegurar que no le falten piezas, que no tenga partes quebradas, desalineadas o agarrotadas, o por si existe cualquiera otra condición que pueda afectar el funcionamiento normal y seguro de la máquina. Si detecta cualquier defecto, no use la Roscadora hasta que no haya sido reparada.

7. Lubrique la Roscadora si es necesario, de acuerdo con las Instrucciones de Mantenimiento.

8. Emplee las herramientas y accesorios indicados para su Roscadora y las correctas para los usos que tendrán. Las herramientas y accesorios correctos le permitirán efectuar un trabajo satisfactorio y seguro. Los accesorios diseñados para usarse con otros equipos pueden resultar peligrosos si se usan con esta Roscadora.

9. Limpie el aceite, grasa o mugre de todos los mangos y controles. Así no se resbalan las herramientas o mangos de sus manos y disminuye el riesgo de que ocurran lesiones.

Revise los filos de corte de las herramientas y terrajas. Si es necesario, recámbielas antes de usar la Roscadora. Las herramientas de corte y terrajas desafiladas pueden producir agarrotamientos, roturas en la máquina y roscas de baja calidad.

Limpie las virutas metálicas y otros desechos de la bandeja de virutas de la Roscadora. Revise el nivel y el estado del aceite para cortar roscas. Cambie o agregue aceite si es necesario. Al depósito en la base le caben aproximadamente cinco (5) cuartos de galón de aceite para roscar.

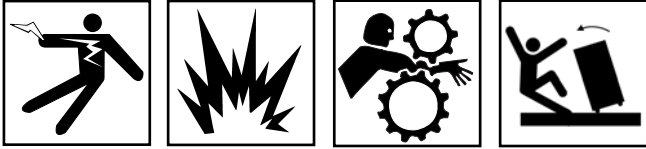
¡NOTA! Si va a emplear el Soporte abatible 250, asegúrese de extraer la placa para el sellado del aceite.

¡NOTA! El aceite para cortar roscas lubrica y enfría las roscas durante la operación de roscado. El aceite sucio o de baja calidad puede producir roscas deficientes.

¡NOTA! Para vaciar el aceite sucio y efectuar el mantenimiento adecuado al sistema de lubricación, consulte las “Instrucciones de Mantenimiento”.

## Preparación de la máquina y de la zona de trabajo

### ▲ ADVERTENCIA



**Se requiere una adecuada preparación de la máquina y de la zona de trabajo para evitar que ocurran lesiones de gravedad. Deben seguirse los siguientes procedimientos para preparar la máquina:**

1. Elija una zona de trabajo donde:
  - haya suficiente luz.
  - no estén presentes líquidos, vapores o polvos que puedan prender fuego.
  - exista una salida de corriente eléctrica conectada a tierra.
  - haya una senda directa hasta la salida de corriente eléctrica, libre de fuentes de calor, aceites, bordes afilados o cortantes o piezas movibles que puedan dañar al cordón eléctrico.
  - haya un lugar seco para situar la máquina y al operario. No use la máquina si está puesta sobre agua.
  - el suelo esté plano y nivelado.
2. Limpie la zona de trabajo antes de montar cualquier equipo. Siempre limpie todo aceite que pueda haber salpicado o goteado de la máquina para impedir que alguien se resbale o caiga.
3. Si la pieza de trabajo se extiende más allá de cuatro (4) pies de la Roscadora, use uno o más soportes para evitar que el tubo oscile o se caiga.
4. Si la pieza de trabajo se extiende más allá de la Máquina Roscadora, rodee la zona de trabajo con barreras para dejar un mínimo de tres (3) pies de espacio libre alrededor de la Roscadora y la pieza de trabajo. Esta "zona de seguridad" impedirá que otros se acerquen a la máquina y a la pieza de trabajo. De lo contrario, personas pueden volcar la máquina o engancharse en sus partes movibles.
5. Si se hace necesario, llene el depósito con Aceite para Roscar (Thread Cutting Oil) RIDGID.
6. Asegure que el conmutador de FOR/OFF/REV (adelante/apagado/reversa) se encuentra en la posición de OFF (apagado).

7. Sitúe el interruptor de pie donde el operario pueda controlar en forma segura la máquina, las herramientas y la pieza de trabajo. Debe permitir que el operario:
  - quede parado frente al conmutador direccional.
  - accione el pedal del interruptor de pie con su pie izquierdo.
  - pueda alcanzar con facilidad el conmutador, las herramientas y los portaherramientas sin tener que extender su cuerpo por encima de la máquina.

La máquina fue diseñada para funcionar al mando de una persona.

8. Enchufe la Roscadora en el tomacorriente y asegure que el cordón se extienda por la senda despejada elegida con anterioridad. Si el cordón eléctrico no alcanza a la salida de corriente, use un cordón de extensión que se encuentre en buenas condiciones.

### ▲ ADVERTENCIA

**Para evitar choques e incendios eléctricos, nunca use un cordón de extensión dañado o que no cumpla con los siguientes requisitos:**

- tener un enchufe de tres clavijas similar al que se muestra en la sección Seguridad eléctrica.
- estar clasificado como "W" ó "W-A", si será usado a la intemperie.
- tener el grosor suficiente (14 AWG si mide 25 pies de largo o menos, 12 AWG si mide entre 25 y 50 pies). Si el grosor del cable es insuficiente, el cordón puede sobrecalentarse y derretirse su material aislante, o prender fuego a objetos cercanos.

**▲ ADVERTENCIA** Para reducir el riesgo de ocasionar choques eléctricos, mantenga todas las conexiones eléctricas secas y levantadas del suelo. No toque el enchufe con las manos mojadas.

9. Revise la Roscadora para asegurar que funciona correctamente.
  - Mueva el conmutador a la posición de FOR (adelante). Oprima y suelte el interruptor de pie. Verifique que la Roscadora gira en el sentido contrario al de las manecillas del reloj (hacia la izquierda) cuando usted se encuentra frente al mandril delantero. Haga componer la Roscadora si gira en el sentido inverso o si el interruptor de pie no controla su detención o puesta en marcha.

- Oprima y mantenga el pie sobre el pedal del interruptor de pie. Revise las partes móviles por si están desalineadas o atascadas o por si emiten ruidos extraños, y asegure que no existan otras condiciones inusuales que afecten el normal y seguro funcionamiento de la máquina. Si detecta alguna anomalía, lleve el motor a componer.
- Mueva el conmutador direccional a la posición de REV (reversa). Oprima y suelte el interruptor de pie. Verifique que la Roscadora esté girando hacia la derecha cuando usted se encuentra de frente al mandril.
- Suelte el interruptor de pie y mueva el conmutador a la posición de OFF (apagado).

## Empleo de herramientas montadas a la máquina

### ⚠ ADVERTENCIA



**No use guantes o ropa suelta cuando haga funcionar la Roscadora. Mantenga las mangas y chaquetas abotonadas. No extienda su cuerpo sobre la máquina ni el tubo.**

**No use esta Roscadora si le falta su interruptor de pie o si éste está dañado. Siempre lleve protección para los ojos para que no les entren mugre u objetos extraños.**

**Mantenga sus manos apartadas de un tubo o acoplamiento que gira. Detenga la máquina antes de limpiar las roscas de un tubo o de atornillar un acoplamiento. Espere que la máquina se detenga por completo antes de tocar el tubo o los portaherramientas de la máquina.**

**No emplee esta máquina para fabricar o desprender un acoplamiento (fitting). La Roscadora no está hecha para estos usos.**

### Instalación del tubo en la Máquina Roscadora

1. Asegure que el cortatubos, escariador y cabezal de terrajas estén elevados en la posición UP.
2. Haga una marca en el tubo, allí donde lo desea cortar.
3. Introduzca el tubo en la Roscadora de tal manera que el extremo que se labrará o la marca hecha en el lugar del corte quede unas 12 pulgadas más adelante que las mordazas del mandril.

4. Introduzca las piezas de trabajo de menos de dos pies de largo por la parte delantera de la máquina. Meta los tubos de mayor longitud por cualquiera de los dos extremos de la máquina para que el trozo más largo del tubo sobresalga de la parte trasera de la Roscadora.

**⚠ ADVERTENCIA** Para evitar que el equipo se vuelque, coloque los soportes para tubos debajo de la pieza de trabajo.

5. Apriete el dispositivo de centrado trasero alrededor del tubo girando el volante trasero de la Roscadora hacia la izquierda. Así se impide que el tubo se mueva, lo que resulta en roscas deficientes.
6. Sujete bien el tubo girando el volante del mandril delantero de la Máquina Roscadora hacia la izquierda con varios golpes secos. Así se cierran las mordazas firmemente alrededor del tubo.

### Corte de tubos con el cortatubos No. 360

1. Mueva el escariador y el cabezal de terrajas a su posición de UP (arriba).
2. BAJE el cortatubos hacia el tubo y alinee la rueda de corte con la marca hecha en el tubo girando el volante del carro.
3. Apriete la manivela del tornillo de alimentación del cortatubos sobre el tubo manteniendo la rueda alineada con el tubo.
4. Adopte la postura correcta para trabajar (*Figura 3*).

**⚠ ADVERTENCIA** Así mantendrá su equilibrio y ejercerá control sobre la máquina y las herramientas.

- Asegure que puede retirar su pie con rapidez del interruptor de pie.
  - Párese vuelto hacia el conmutador.
  - Asegure que puede alcanzar con facilidad el conmutador, herramientas y mandriles.
  - No extienda su cuerpo sobre la máquina o la pieza de trabajo.
5. Mueva el conmutador direccional a la posición FOR (adelante).
  6. Agarre la manivela del tornillo de alimentación del cortatubos con ambas manos (*Figura 3*).

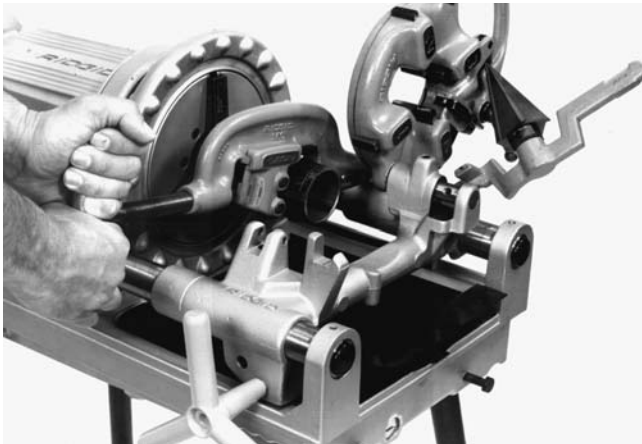


Figura 3 – Corte de un tubo con la máquina Roscadora Compacta No. 300

7. Con el pie izquierdo baje y mantenga oprimido el pedal del interruptor de pie.
8. Lenta y continuamente apriete la manivela del tornillo de alimentación hasta que se haya cortado el tubo. No fuerce el cortatubos contra la pieza de trabajo.
9. Suelte el interruptor de pie y retire su pie del alojamiento.
10. Vuelva el cortatubos a su posición UP (arriba).

**Escariado de tubos con el Escariador No. 344**

1. Mueva el brazo del escariador a la posición de DOWN (abajo).
2. Revise el conmutador direccional para asegurar que se encuentra en la posición de FOR (adelante). Pise y mantenga oprimido el pedal del interruptor de pie con su pie izquierdo.
3. Meta el escariador dentro del tubo y complete el escariado girando el volante (Figura 4).
4. Retraiga la barra del escariador y vuelva el escariador a su posición de UP (arriba).
5. Suelte el pedal del interruptor de pie y retire su pie del alojamiento.

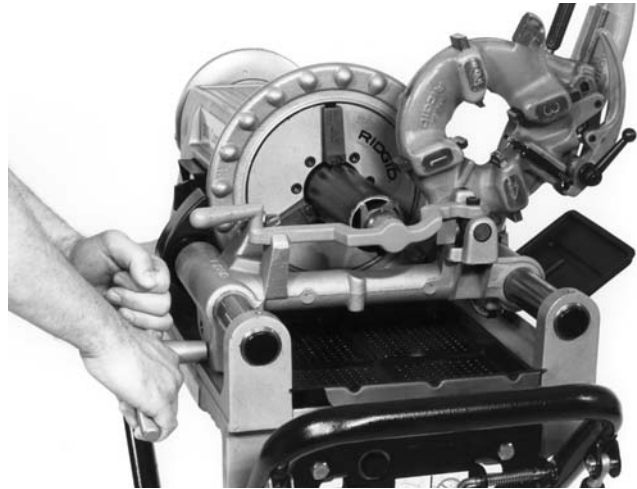


Figura 4 – Escariado de tubos con el escariador No. 344

**Roscado de tubos o vástagos con Cabezales de Terrajas de Apertura Rápida, de Auto-apertura o Semiautomáticos**

1. Instale el juego de terrajas. Consulte las instrucciones referentes a la instalación de terrajas.
2. Levante el cortatubos y el escariador a la posición UP (arriba).
3. Baje el cabezal de terrajas a la posición de DOWN (abajo) manteniendo la palanca de desencanche puesta en la posición CLOSE (cerrada).
4. Revise el conmutador direccional para asegurar que se encuentra en la posición de FOR (adelante). Pise y mantenga oprimido el pedal del interruptor de pie con su pie izquierdo.

iNOTA! Las máquinas No. 300 cuentan con un sistema de aceitado automático que suministra aceite a la pieza de trabajo a través del cabezal de terrajas. El flujo de aceite puede regularse con la válvula de control del flujo de aceite ubicada en la parte trasera del carro (Figura 5).



Figura 5 – Regulación del flujo de aceite

5. Gire el volante del carro para colocar las terrajas contra el extremo del tubo. Una leve presión sobre el volante pondrá a las terrajas en marcha (Figura 6).

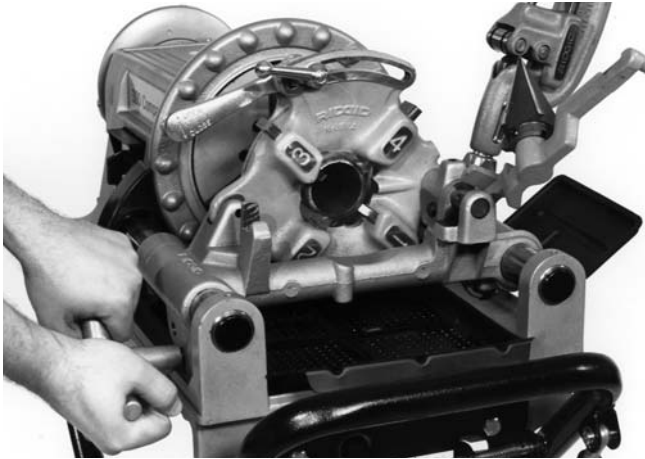


Figura 6 – Roscado de un tubo con el Cabezal de Terrajas de Apertura Rápida No. 811-A

6. Cabezal de terrajas de Apertura Rápida No. 811A (Figura 7) – Cuando se haya completado la rosca, gire la palanca de desenganche a la posición de OPEN (abierta) para retraer las terrajas.

Cabezal de terrajas de Auto-apertura No. 815A (Figura 8) – Cuando el gatillo del cabezal de terrajas entra en contacto con el extremo del tubo, la palanca de desenganche se abre automáticamente.

Cabezal de terrajas Semiautomático (Figura 9) – Cuando el extremo del tubo que se rosca se encuentra al ras con el borde de la terraja número 1, golpee la manivela del cabezal de terrajas para que las terrajas suelten el tubo.

7. Gire el volante del carro para retraer y apartar el cabezal de terrajas del tubo.
8. Vuelva el cabezal de terrajas a la posición UP (arriba).

### Cómo sacar el tubo de la Roscadora

1. Con varios giros secos y enérgicos, hacia la derecha, del volante del mandril delantero de la máquina Roscadora, libere la pieza de trabajo de las mordazas del mandril.
2. Si es necesario, afloje el dispositivo de centrado trasero con giros a la derecha del volante trasero de la Roscadora.
3. Retire la pieza de trabajo fuera de la Roscadora, sujetando la pieza firmemente mientras la saca.

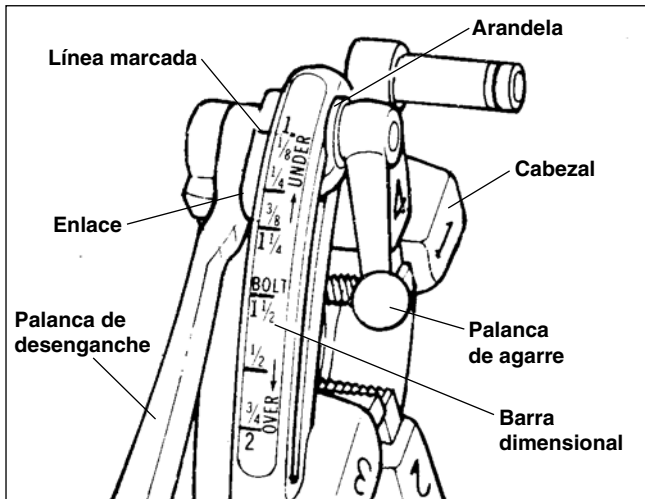
**▲ ADVERTENCIA** Cuando trabaje con trozos largos de tubos, asegure que el extremo que se encuentra más lejos de la Roscadora esté sujeto antes de retirarlo. De lo contrario, pueden ocurrir lesiones al volcarse la máquina o al caer la pieza de trabajo.

4. Limpie los derrames y salpicaduras de aceite que hayan caído al suelo alrededor de la Roscadora.

### Instalación de terrajas en Cabezales de Terrajas de Apertura Rápida (a mano derecha y a mano izquierda)

El Cabezal de terrajas Universal No. 811A (Figura 7) para roscas a mano derecha necesita cuatro juegos de terrajas para roscar tubería desde  $\frac{1}{8}$  hasta 2 pulgadas. Se precisa un juego de terrajas para cada uno de los siguientes tamaños: ( $\frac{1}{8}$  pulg), ( $\frac{1}{4}$  y  $\frac{3}{8}$  pulg), ( $\frac{1}{2}$  y  $\frac{3}{4}$  pulg) y (1 a 2 pulgs). Para roscar pernos se necesita un juego distinto de terrajas para cada tamaño de perno. No se encuentran disponibles terrajas para cabezales universales a mano izquierda.

1. Ponga el cabezal de terrajas sobre un banco con los números apuntando hacia arriba.
2. Mueva la palanca de desenganche a la posición OPEN (abierta).
3. Afloje la palanca de agarre mediante unas tres vueltas.
4. Levante y saque la lengüeta de la arandela de agarre fuera de la ranura ubicada debajo de la barra dimensional. Deslice la palanca de desenganche hasta el final de la ranura, en la dirección de (CHANGE DIE) cambio de terrajas indicada en la placa de levas.
5. Extraiga las terrajas del cabezal de terrajas.
6. Introduzca nuevas terrajas hasta las marcas laterales en las terrajas. Los números (1 al 4) señalados en las terrajas deben coincidir con los indicados en el cabezal.
7. Mueva la palanca de desenganche hacia afuera para que la lengüeta de la arandela en la palanca de agarre caiga en la ranura ubicada debajo de la barra dimensional.
8. Regule la barra dimensional del cabezal de terrajas hasta que la línea marcada en el enlace quede alineada con la marca de la dimensión deseada en la barra dimensional. Para el roscado de pernos, alinee la línea marcada con la línea para pernos (BOLT) en la barra dimensional.



**Figura 7 – Cabezal de Terrajas Universal de Apertura Rápida**

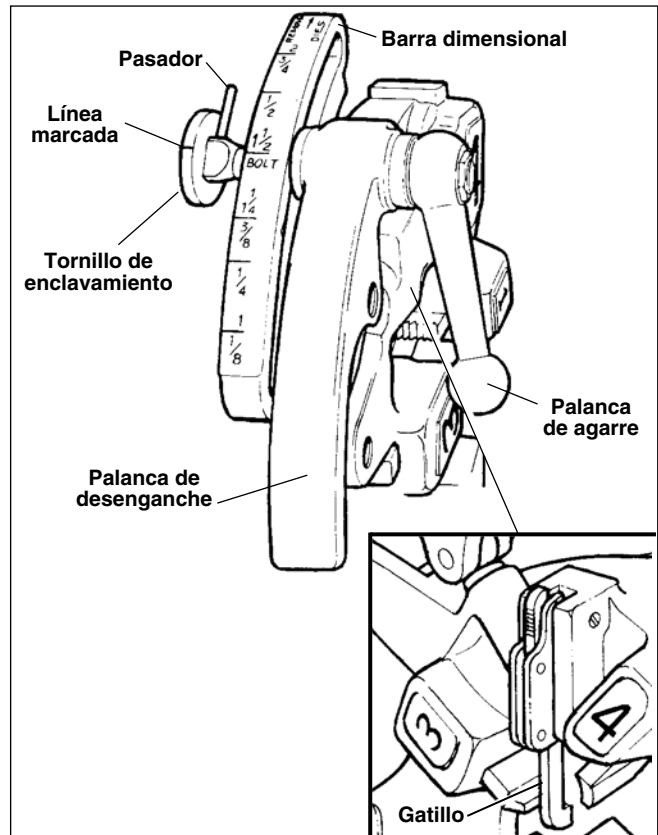
9. Apriete la palanca de agarre.
10. Para labrar roscas sobredimensionadas o subdimensionadas, coloque la línea marcada en dirección a las marcas OVER (por encima) ó UNDER (por debajo) en la barra dimensional.

**Instalación de terrajas en Cabezales de terrajas de Autoapertura (solamente a mano derecha)**

El Cabezal de Terrajas de Auto-apertura No. 815A (Figura 8) para roscas a mano derecha necesita cuatro juegos de terrajas para roscar tubería desde 1/8 hasta 2 pulgadas. Se precisa un juego de terrajas para cada uno de los siguientes tamaños: (1/8 pulg), (1/4 y 3/8 pulg), (1/2 y 3/4 pulg) y (1 a 2 pulg). Para roscar pernos se necesita un juego distinto de terrajas para cada tamaño de perno.

1. Coloque el cabezal de terrajas de auto-apertura en posición vertical sobre un banco.
2. Asegure que el gatillo esté desenganchado.
3. Afloje la palanca de agarre unas seis vueltas completas.
4. Tire del tornillo de enclavamiento para que salga de la ranura ubicada debajo de la barra dimensional, de tal manera que el pasador en el tornillo de enclavamiento pase más allá de la ranura. Coloque la barra dimensional de modo que la línea marcada en el tornillo de enclavamiento quede alineada con el final de la posición REMOVE DIES (sacar terrajas).

5. Tumbé el cabezal con los números apuntando hacia arriba.
6. Extraiga las terrajas del cabezal de terrajas.
7. Introduzca nuevas terrajas hasta las marcas laterales de las terrajas. Los números (1 al 4) señalados en las terrajas deben coincidir con los indicados en el cabezal.
8. Lleve la palanca de desenganche hacia atrás para enganchar las terrajas.
9. Con el cabezal en posición vertical, gire la placa de levas hasta que el pasador en el tornillo de enclavamiento pueda entrar en la ranura debajo de la barra dimensional. En esta posición las terrajas se enclavarán en el cabezal. Asegure que el pasador apunte hacia el final de la barra dimensional donde se encuentra la marca REMOVE DIES (sacar terrajas).
10. Ajuste la barra dimensional del cabezal de terrajas hasta que la línea marcada en el tornillo de enclavamiento, o el enlace, quede alineada con la marca del tamaño deseado en la barra dimensional.



**Figura 8 – Cabezal de Terrajas Universal de Auto-apertura**

11. Apriete la palanca de agarre.



12. Para labrar roscas sobredimensionadas o subdimensionadas, coloque la línea marcada en dirección a las marcas OVER (por encima) ó UNDER (por debajo) en la barra dimensional.

### Instalación de terrajas en Cabezales de Terrajas Modelos 816/817

El Cabezal de Terrajas Semiautomático para roscas a mano derecha (Figura 9) necesita cuatro juegos de terrajas para roscar tubería desde  $\frac{1}{8}$  hasta 2 pulgadas. Se precisa un juego de terrajas para cada una de las siguientes gamas de tamaño: ( $\frac{1}{8}$  pulg), ( $\frac{1}{4}$  y  $\frac{3}{8}$  pulg), ( $\frac{1}{2}$  y  $\frac{3}{4}$  pulg) y (1 a 2 pulg). Para roscar pernos se necesita un juego distinto de terrajas para cada tamaño de perno.

1. Baje la manivela para que la placa de levas descanse (Figura 13 - Cabezal de terrajas Modelos 816 y 817) contra la parada, (como se muestra).
2. Tumbé el cabezal en una mesa o banco con los números apuntando hacia arriba.
3. Tire de la perilla del émbolo y empuje la manivela por completo hacia la izquierda.
4. Seleccione las terrajas correctas para el tamaño que desea. (Los tamaños van marcados en la cara posterior de las terrajas).
5. Los números en las terrajas deben corresponder con aquellos en las ranuras del cabezal. Introduzca las terrajas hasta la línea marcada en ellas; el borde numerado hacia arriba.
6. Traiga de vuelta la manivela hacia la derecha para que la perilla del émbolo caiga y encaje al ras contra el cabezal de terrajas.
7. Para regular la profundidad de las roscas, afloje el tornillo del tamaño deseado, y mueva el bloque hacia la derecha para lograr roscas subdimensionadas y hacia la izquierda, para sobredimensionadas. Cuando ajuste los bloques porque ha cambiado los peines, comience por la posición central y proceda desde allí.

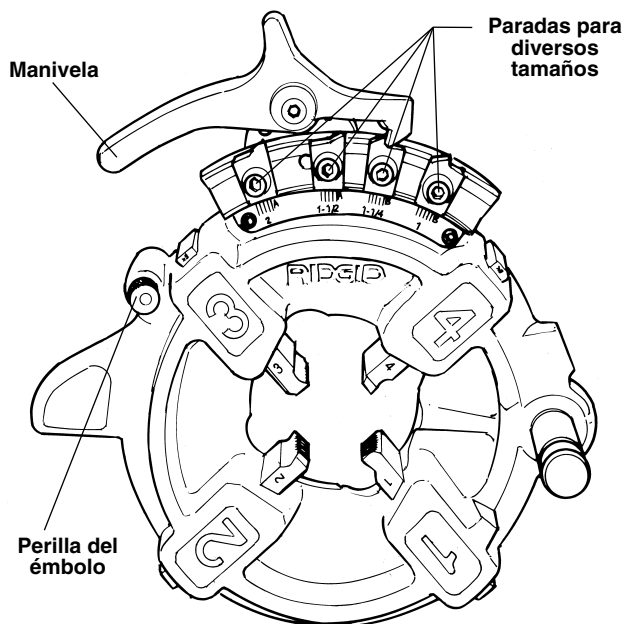


Figura 9 – Cabezal de Terrajas Semiautomático

### Verificación de la longitud de la rosca

1. La rosca tiene la longitud correcta cuando el extremo del tubo queda al ras con el borde de las terrajas (Figura 10).
2. El cabezal de terrajas puede regularse para obtener el diámetro de rosca necesario. Si es posible, chequéela con un calibrador o medidor anular de roscas (Figura 10). La rosca está bien cortada si el extremo del tubo se encuentra a más/menos una vuelta de estar al ras con la cara del calibrador anular.

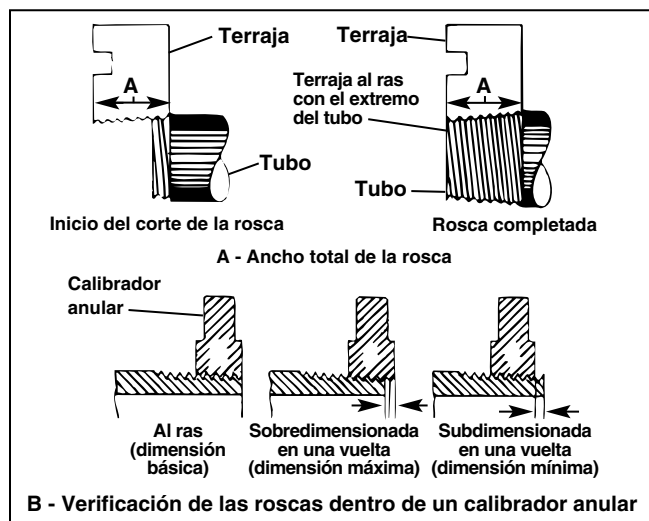


Figura 10 – Verificación de la longitud de la rosca

¡NOTA! Si no dispone de un calibrador anular, puede emplearse un acoplamiento o fitting. Este fitting debe ser representativo de los que están siendo utilizados en la obra. La rosca del tubo debe cortarse para lograr 2 ó 3 vueltas manuales de enroscamiento con el fitting. Si la rosca del tubo no resulta del diámetro apropiado, la línea marcada debe moverse hacia las marcas OVER (por encima) ó UNDER (por debajo) en la barra dimensional. (Vea "Instalación de terrajas en Cabezas de Terrajas").

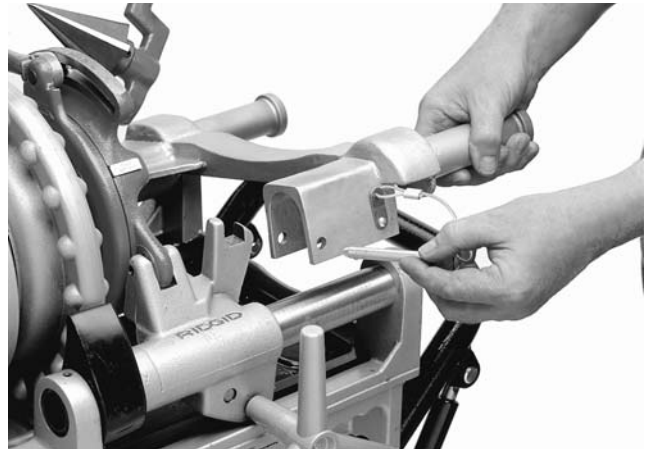
### **Brazo adaptador para montar el Ranurador No. 916 a la Compacta 300**

¡NOTA! Se debe usar un brazo adaptador para montar el Ranurador a Rodillos No. 916 a la Máquina Roscadora Compacta 300.

¡NOTA! El Soporte No. 250 debe estar en la posición vertical y trabada antes de montar el brazo adaptador No. 916.

1. Coloque el cortatubos, cabezal de terrajas y es-cariador en sus posiciones UP (arriba).
2. Sitúe el carro lo más cerca posible del volante del mandril.
3. El Brazo del Ranurador No. 916 debe quedar colocado de tal forma que los rieles de extensión queden extendidos más allá de la parte delantera de la máquina. Fíjese que el pasador de retención o enclavamiento esté acoplado al brazo del Ranurador No. 916 en el lado donde se sitúa el operario.
4. Acople el brazo adaptador a la Compacta No. 300 colocando la sección del brazo en forma de "C" en el riel trasero (al otro lado del operario) y bajando el lado del brazo que se encuentra cercano al operario hasta el riel del lado del operario. La sección del medio del brazo cubrirá los soportes de los rieles delanteros de la Compacta No. 300 (Figura 11).
5. Introduzca el pasador de retención a través de los agujeros asegurando que el pasador haya atravesado ambos agujeros. El pasador debe estar debidamente inserto para trabar el brazo en su lugar.
6. Acople la Ranuradora No. 916 a los rieles de extensión del Brazo Adaptador del Ranurador No. 916 como se describe anteriormente en el paso 4 (Figura 12).

7. Introduzca la barra de accionamiento en el mandril. No cierre el mandril sobre la barra de accionamiento todavía.



**Figura 11 – Pasador de retención en el Adaptador del Ranurador a Rodillos No. 916**

8. Acople el extremo libre de la barra de accionamiento al poste de accionamiento ubicado en la parte trasera del Ranurador No. 916. Asegure que los tornillos de presión en la barra de accionamiento estén apretados contra las superficies planas del poste de accionamiento de la No. 916.
9. Centre la barra de accionamiento en el mandril y enclave las mordazas hasta cerrarlas.
10. Gire la perilla de mando de la máquina a la posición deseada y haga funcionar el Ranurador No. 916.

### **⚠ ADVERTENCIA**

**Antes de ranurar, lea y comprenda las instrucciones del Manual del Operario del Ranurador a Rodillos No. 916.**

¡NOTA! Antes de transportar la Compacta No. 300 empleando el Soporte No. 250, DEBEN desmontarse el Ranurador a Rodillos No. 916 y su brazo adaptador. Si no se desmontan, estos equipos impedirán plegar y cerrar el Soporte No. 250.



Figura 12 – Ranuradora a Rodillos No. 916 y Brazo Adaptador montados en la Compacta No. 300

## Accesorios

### ⚠ ADVERTENCIA

Los siguientes productos RIDGID son los únicos aptos para funcionar con la Máquina Roscadora Compacta No. 300. Los accesorios de otras máquinas pueden resultar peligrosos si se usan en esta máquina Roscadora. Para evitar lesiones de gravedad, sólo use los accesorios que se listan a continuación.

### Accesorios para la máquina Roscadora

#### Cabezales de terrajas:

Modelo	Tubos	Pernos	Terrajas	Apertura	Funcionamiento
811A NPT	1/8 a 2 pulgs.	1/4 a 2 pulgs.	Universal	rápida	der.
815A NPT	1/8 a 2 pulgs.	1/4 a 2 pulgs.	Universal	auto	der.
842 NPT	1/4 a 2 pulgs.	–	Universal	rápida	izq.
816 NPT	1/8 a 3/4 pulgs.	–	Universal	con golpecito	der.
817 NPT	1 a 2 pulgs.	1/4 a 2 pulgs.	Universal	con golpecito	der.
811A BSPT	1/8 a 2 pulgs.	1/4 a 2 pulgs.	Universal	rápida	der.
815A BSPT	1/8 a 2 pulgs.	1/4 a 2 pulgs.	Universal	auto	der.
531 pernos	–	1/4 a 1 pulgs.	500B	rápida	Der./izq.
532 pernos	–	1/8 a 2 pulgs.	500B	rápida	Der./izq.

#### Soportes:

- Soporte abatible No. 250
- Soporte con ruedas y armario No. 200
- Soporte con ruedas y bandeja No. 150
- Soporte con patas y bandeja No. 100

#### Soportes para tubos VJ99; VJ98; RJ99

Brazo adaptador para la Ranuradora No. 916 (No. en el cat. 67662)

- Mandril Niplero No. 819 (a mano derecha solamente)
- Adaptadores para tubos ..... 1/8 hasta 1 1/2 pulg.
- Adaptadores para pernos ..... 1/4 hasta 2 pulg UNC
- 1/4 hasta 1 1/2 pulg UNF

Inserciones para la mordaza para proteger tubos revestidos

### Accesorios para el roscado mediante el método de acoplamiento directo

Conjunto del Enlace del accionamiento No.768 y Barra de accionamiento No. 844

Roscadora a engranajes No.141 para roscar tubos y vástagos de 2 1/2 a 4 pulgs.

Soportatubos VJ-99 y RJ-99

¡NOTA! Consulte el Catálogo de Ridge Tool para una lista completa de soportes para tubos, aceites para roscar y terrajas.

## Instrucciones para el mantenimiento

### ⚠ ADVERTENCIA

Asegúrese de que la máquina se encuentra desenchufada de la fuente de suministro antes de hacerle cualquier servicio o regulación.

### Lubricación

Una adecuada lubricación es indispensable para lograr un rendimiento sin problemas y una larga vida útil de la máquina Roscadora.

Se proveen dos fittings para el engrase en la parte superior del alojamiento de la máquina, los que permiten aceitar los cojinetes delanteros y traseros (Figura 13). Los cojinetes deben ser engrasados periódicamente dependiendo del uso que se le dé a la máquina.



Figura 13 – Lubricación de los cojinetes

**Mantenimiento del sistema de lubricación**

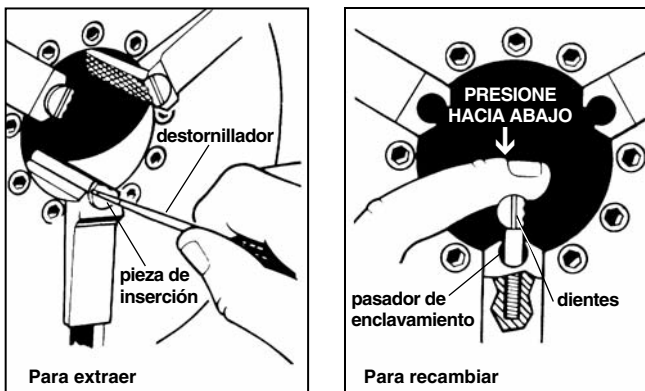
Para asegurar el debido funcionamiento de la máquina roscadora, mantenga el sistema de lubricación limpio:

1. Recambie el aceite para cortar roscas cuando se ensucie o se contamine. Para vaciar el aceite, coloque un recipiente debajo del tapón de vaciado y saque el tapón.
2. Mantenga limpia la rejilla del filtro de aceite para asegurar el flujo adecuado de aceite limpio a la pieza de trabajo. La rejilla del filtro de aceite se encuentra en el fondo del depósito de aceite. Para limpiar la rejilla, afloje el tornillo que sujeta el filtro a la base y retire el filtro fuera del conducto de lubricación. Lave la rejilla del filtro en disolvente y soplela con aire comprimido si es posible. No haga funcionar la máquina si la rejilla del filtro de aceite no está puesta en su sitio.

**¡NOTA!** El Aceite para Roscar RIDGID produce roscas de alta calidad y prolonga la vida útil de las terrajas. Consulte las etiquetas en los recipientes de los aceites para informarse sobre sus usos y manejo. La eliminación de los aceites usados debe realizarse de acuerdo a las normas gubernamentales vigentes.

**Recambio de las piezas de inserción para la mordaza**

**¡NOTA!** Cuando los dientes de la mordaza se desgasten y ya no sostengan al tubo o al vástago durante el funcionamiento, recambie todo el juego de piezas de inserción para la mordaza. Limpie los dientes de las inserciones a diario con un cepillo metálico.



**Figura 14 – Recambio de las piezas de inserción para la mordaza**

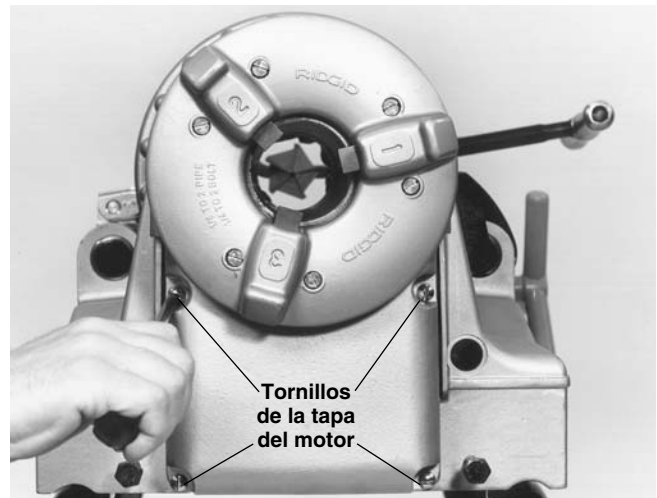
1. Coloque un destornillador en la ranura de la inserción y gírelo en 90 grados en cualquier dirección.

2. Coloque la pieza de inserción de costado en el pasador de enclavamiento y presione hacia abajo tanto como sea posible.
3. Sostenga la pieza de inserción firmemente empujando el destornillador hacia abajo; gírela para que los dientes apunten hacia arriba.

**Recambio de las escobillas del motor**

**¡NOTA!** Cada seis (6) meses revise las escobillas del motor y recámbralas si están desgastadas a menos de 1/2 pulgada.

1. Desenchufe la máquina de la fuente de suministro de corriente.
2. Suelte por completo los cuatro pernos que sostienen la tapa del alojamiento del motor en su lugar y extraiga la tapa del alojamiento (Figura 15).



**Figura 15 – Soltar y extraer los tornillos de la tapa del motor**

3. Afloje los sujetadores de la escobillas de carbono y extráigalas.
4. Coloque las nuevas escobillas.
5. Vuelva a instalar los sujetadores y la tapa del alojamiento del motor.

**⚠ ADVERTENCIA** No haga funcionar la máquina roscadora sin su cubierta. Siempre vuelva a colocar la cubierta inmediatamente después de instalar las escobillas.

## Almacenamiento de la máquina

**⚠ ADVERTENCIA** Los equipos a motor deben guardarse dentro, bajo techo, o bien cubiertos para guarecerlos de la lluvia. Almacene la máquina bajo llave, fuera del alcance de los niños y personas que no conocen el manejo de estas máquinas roscadoras. Esta máquina puede causar graves lesiones en manos de usuarios sin entrenamiento.

## Servicio y reparaciones

### ⚠ ADVERTENCIA



El servicio y las reparaciones a esta Roscadora deben realizarlos técnicos en reparaciones calificados. La máquina debe llevarse a un Servicentro Autorizado Independiente de RIDGID o devuelta a la fábrica. Todas los trabajos de reparación efectuados en servicentros Ridge están garantizados contra defectos en los materiales y de la mano de obra.

**⚠ ADVERTENCIA** Cuando se le haga mantenimiento a esta máquina, sólo deben usarse repuestos idénticos. Se crea el riesgo de que ocurran descargas eléctricas y lesiones graves si no se siguen estas instrucciones.

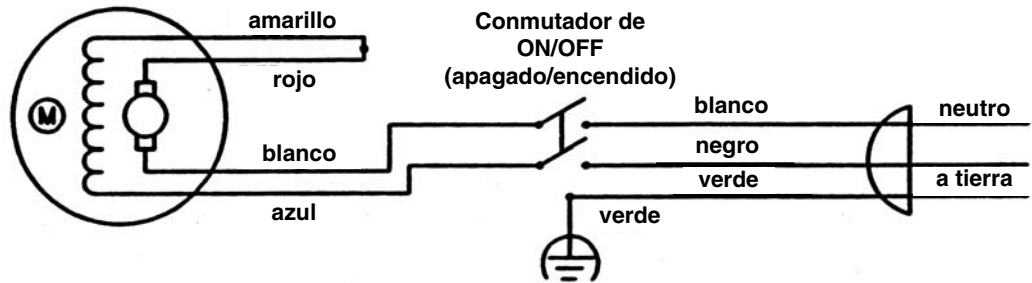
Si tiene cualquier pregunta relacionada con el mantenimiento o reparación de esta máquina, llame o escriba a:

Ridge Tool Company  
 Technical Service Department  
 400 Clark Street  
 Elyria, Ohio 44035-6001  
 Teléfono: (800) 519-3456  
 E mail: rtctechservices@emerson.com

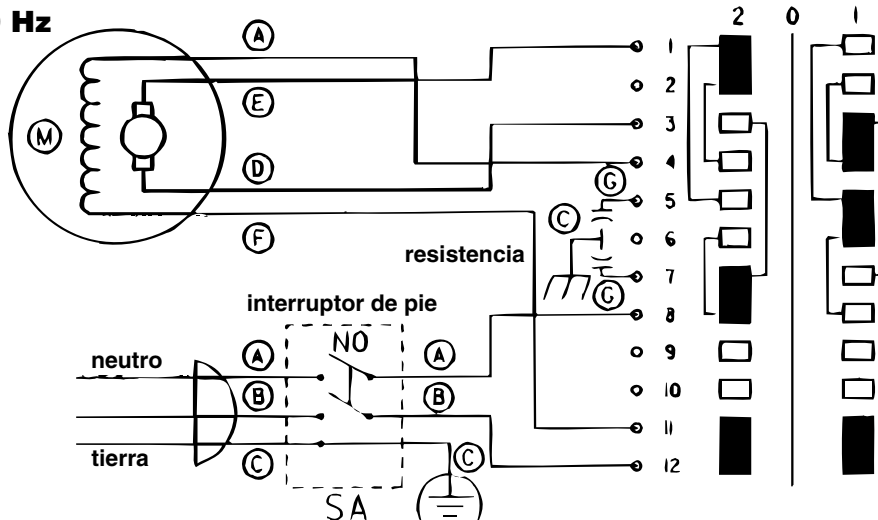
Para obtener el nombre y la dirección del Servicentro Autorizado más cercano, llame a Ridge Tool Company al (800) 519-3456 o visítenos en internet: <http://www.RIDGID.com>

## Diagramas de cableado

### 115/230v Lejano Oriente

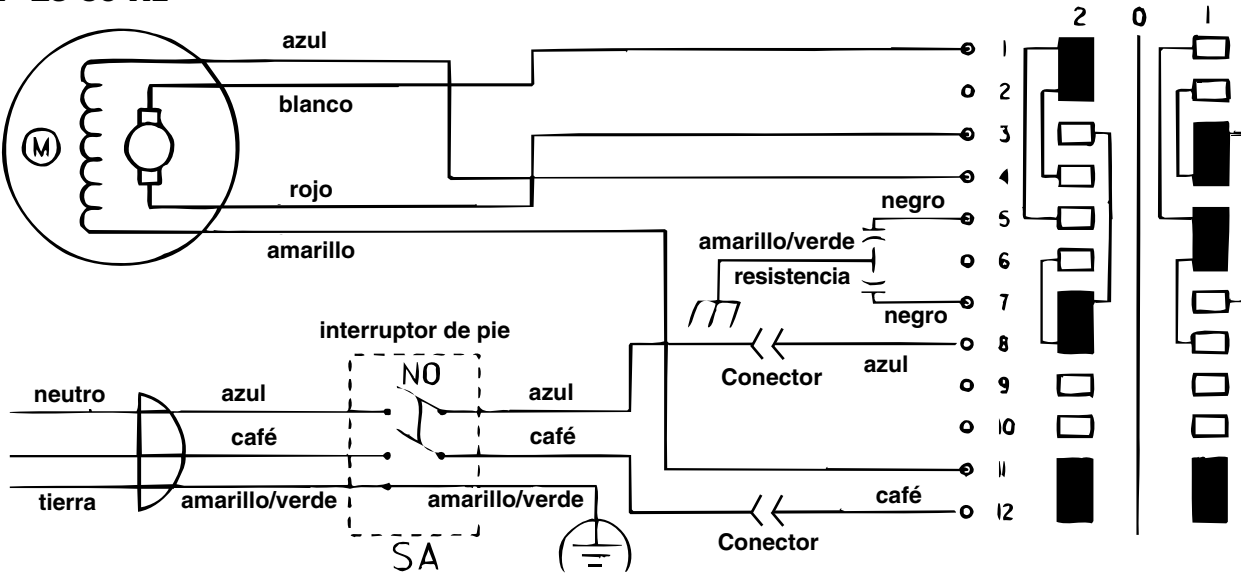


### 230v 25-60 Hz

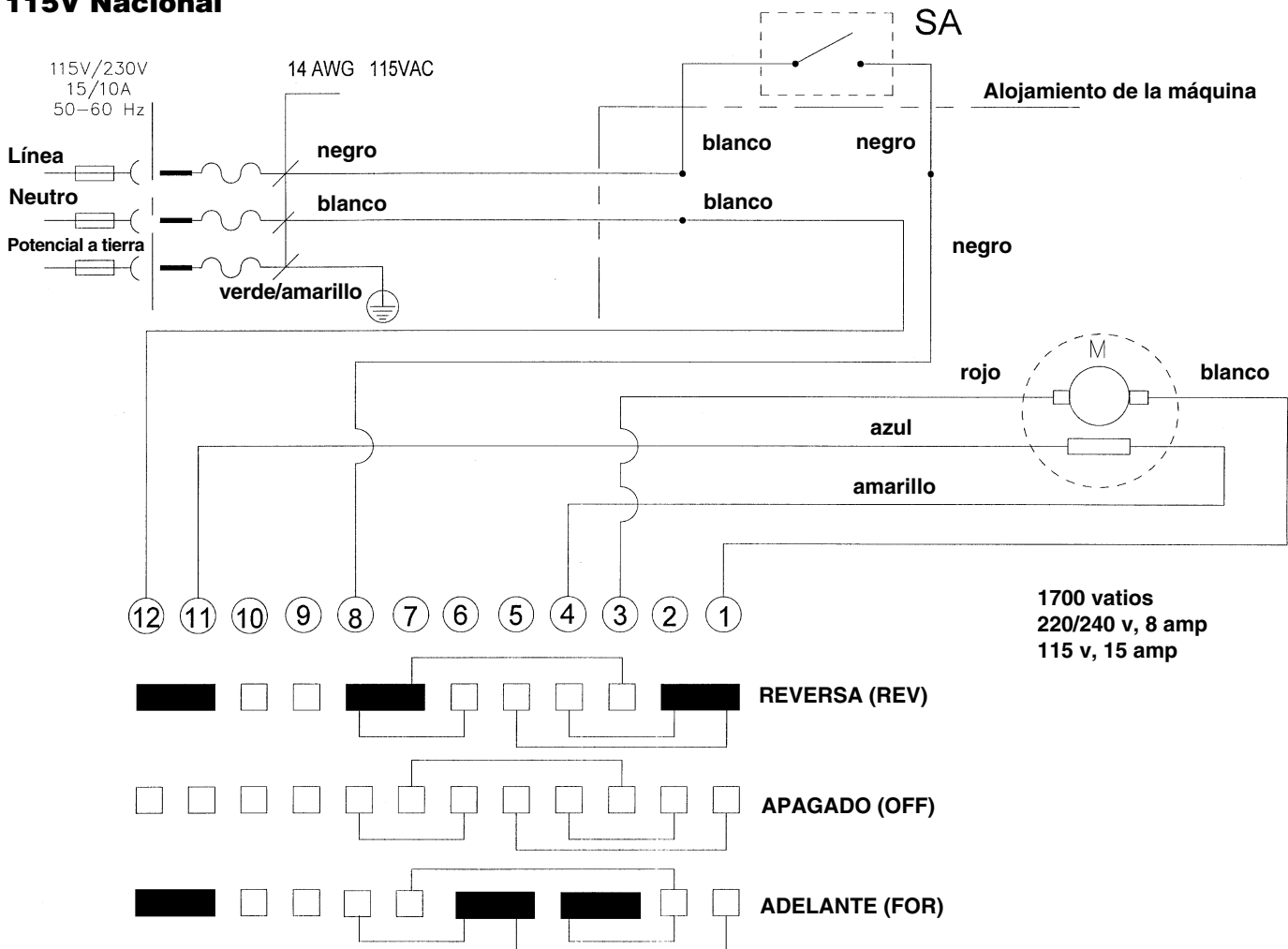


## Diagramas de cableado (cont)

### 115v 25-60 Hz



### 115V Nacional



**What is covered**

RIDGID® tools are warranted to be free of defects in workmanship and material.

**How long coverage lasts**

This warranty lasts for the lifetime of the RIDGID® tool. Warranty coverage ends when the product becomes unusable for reasons other than defects in workmanship or material.

**How you can get service**

To obtain the benefit of this warranty, deliver via prepaid transportation the complete product to RIDGE TOOL COMPANY, Elyria, Ohio, or any authorized RIDGID® INDEPENDENT SERVICE CENTER. Pipe wrenches and other hand tools should be returned to the place of purchase.

**What we will do to correct problems**

Warranted products will be repaired or replaced, at RIDGE TOOL'S option, and returned at no charge; or, if after three attempts to repair or replace during the warranty period the product is still defective, you can elect to receive a full refund of your purchase price.

**What is not covered**

Failures due to misuse, abuse or normal wear and tear are not covered by this warranty. RIDGE TOOL shall not be responsible for any incidental or consequential damages.

**How local law relates to the warranty**

Some states do not allow the exclusion or limitation of incidental or consequential damages, so the above limitation or exclusion may not apply to you. This warranty gives you specific rights, and you may also have other rights, which vary, from state to state, province to province, or country to country.

**No other express warranty applies**

This FULL LIFETIME WARRANTY is the sole and exclusive warranty for RIDGID® products. No employee, agent, dealer, or other person is authorized to alter this warranty or make any other warranty on behalf of the RIDGE TOOL COMPANY.



Parts are available online at [RIDGIDParts.com](http://RIDGIDParts.com)

**Ridge Tool Company**

400 Clark Street  
Elyria, Ohio 44035-6001  
U.S.A.

**Ce qui est couvert**

Les outils RIDGID® sont garantis contre tous vices de matériaux et de main d'oeuvre.

**Durée de couverture**

Cette garantie est applicable durant la vie entière de l'outil RIDGID®. La couverture cesse dès lors que le produit devient inutilisable pour raisons autres que des vices de matériaux ou de main d'oeuvre.

**Pour invoquer la garantie**

Pour toutes réparations au titre de la garantie, il convient d'expédier le produit complet en port payé à la RIDGE TOOL COMPANY, Elyria, Ohio, ou bien le remettre à un réparateur RIDGID® agréé. Les clés à pipe et autres outils à main doivent être ramenés au lieu d'achat.

**Ce que nous ferons pour résoudre le problème**

Les produits sous garantie seront à la discrétion de RIDGE TOOL, soit réparés ou remplacés, puis réexpédiés gratuitement ; ou si, après trois tentatives de réparation ou de remplacement durant la période de validité de la garantie le produit s'avère toujours défectueux, vous aurez l'option de demander le remboursement intégral de son prix d'achat.

**Ce qui n'est pas couvert**

Les défaillances dues au mauvais emploi, à l'abus ou à l'usure normale ne sont pas couvertes par cette garantie. RIDGE TOOL ne sera tenue responsable d'aucuns dommages directs ou indirects.

**L'influence de la législation locale sur la garantie**

Puisque certaines législations locales interdisent l'exclusion des dommages directs ou indirects, il se peut que la limitation ou exclusion ci-dessus ne vous soit pas applicable. Cette garantie vous donne des droits spécifiques qui peuvent être éventuellement complétés par d'autres droits prévus par votre législation locale.

**Il n'existe aucune autre garantie expresse**

Cette GARANTIE PERPETUELLE INTEGRALE est la seule et unique garantie couvrant les produits RIDGID®. Aucun employé, agent, distributeur ou tiers n'est autorisé à modifier cette garantie ou à offrir une garantie supplémentaire au nom de la RIDGE TOOL COMPANY.

**Qué cubre**

Las herramientas RIDGID® están garantizadas contra defectos de la mano de obra y de los materiales empleados en su fabricación.

**Duración de la cobertura**

Esta garantía cubre a la herramienta RIDGID® durante toda su vida útil. La cobertura de la garantía caduca cuando el producto se torna inservible por razones distintas a las de defectos en la mano de obra o en los materiales.

**Cómo obtener servicio**

Para obtener los beneficios de esta garantía, envíe mediante porte pagado, la totalidad del producto a RIDGE TOOL COMPANY, en Elyria, Ohio, o a cualquier Servicentro Independiente RIDGID®. Las llaves para tubos y demás herramientas de mano deben devolverse a la tienda donde se adquirieron.

**Lo que hacemos para corregir el problema**

El producto bajo garantía será reparado o reemplazado por otro, a discreción de RIDGE TOOL, y devuelto sin costo; o, si aún resulta defectuoso después de haber sido reparado o sustituido tres veces durante el periodo de su garantía, Ud. puede optar por recibir un reembolso por el valor total de su compra.

**Lo que no está cubierto**

Esta garantía no cubre fallas debido al mal uso, abuso o desgaste normal. RIDGE TOOL no se hace responsable de daño incidental o consiguiente alguno.

**Relación entre la garantía y las leyes locales**

Algunos estados de los EE.UU. no permiten la exclusión o restricción referente a daños incidentales o consiguientes. Por lo tanto, puede que la limitación o restricción mencionada anteriormente no rija para Ud. Esta garantía le otorga derechos específicos, y puede que, además, Ud tenga otros derechos, los cuales varían de estado a estado, provincia a provincia o país a país.

**No rige ninguna otra garantía expresa**

Esta GARANTIA VITALICIA es la única y exclusiva garantía para los productos RIDGID®. Ningún empleado, agente, distribuidor u otra persona está autorizado para modificar esta garantía u ofrecer cualquier otra garantía en nombre de RIDGE TOOL COMPANY.

We  
Build  
Reputations™

**RIDGID**

  
**EMERSON**  
Commercial & Residential Solutions

EMERSON. CONSIDER IT SOLVED.™