



Kitchen Faucet S-23 Series

Installation and Service Instructions



Installation

Caution: Be sure to turn off hot and cold water supplies before installing or servicing faucet.

Step 1 If installing model with hose and spray, install hose guide into hole in sink (normally the far right hole on four hole sink). From underneath sink place washer then nut over hose guide and secure to sink. Insert hose through hose guide and up through middle hole from left in sink. Loosely install the anchor bar (KN-23), spacer (KN-26) and nut (L-36) on the mounting bolts and place gasket on base of faucet. From above sink attach hose securely to nipple on base of faucet.

Step 2 Align faucet to sink by matching underside arrow and word "FRONT" on base plate (KN-33) with front of sink. Without straightening copper supplies insert through center hole of sink and anchor bar/spacer/nut assemblies through holes in sink. Secure faucet to sink by tightening nuts from underside. (If sink surface is uneven use putty or sealant to make proper seal under base.)

Step 3 Carefully straighten copper supplies to avoid kinking tubing. Connect hot supply to left tube and cold supply to right tube using appropriate connectors.

Step 4 It is very important to thoroughly flush the supply lines to prevent foreign matter, i.e. copper chips, sand, stones, etc. from damaging the sealing surfaces of cartridge. Remove aerator and turn valve handle on to full cold position, open cold supply. Without closing, turn handle to full hot and open hot supply. Let water run in hot only and cold only positions long enough to flush supply lines thoroughly. If equipped with a hose and spray, direct spray head into sink and activate spray. Shut off faucet and replace aerator. Check for leaks.

Step 5 The handle limit stop can be set to limit handle turn to the hot position. The limit mechanism is factory set to allow full handle travel. To adjust the limit stop, turn handle to the full hot position and lift handle to open faucet approximately half way to obtain a smooth flow for correct initial temperature measurement.

Step 6 If when faucet is on and in full hot position and water is too hot, shut water off, remove plug button (KN-157), loosen set screw (L-22) and remove handle (KN-3RB or KN-3BRB), lift limit stop using a small flat head screw driver and rotate clockwise to lower temperature. If water is not hot enough, rotate counter clockwise (See Figure 1 on reverse side). After correct temperature is achieved, reattach handle, reversing procedure above.

Cartridge Replacement (KN-4)

Step 1 Remove plug button (KN-157), loosen set screw (L-22) and remove handle (KN-3RB or KN-3BRB).

Step 2 Engage tabs in cartridge wrench (LN-34) with slots in compression ring (KN-2) and use screwdriver in wrench holes or pliers on wrench and turn counter clockwise until compression ring engages with cap (KN-1). Continue turning counter clockwise so that cap/ring assembly is removed from the body (KN-11).

Step 3 Remove cartridge and o-ring seal (KN-4).

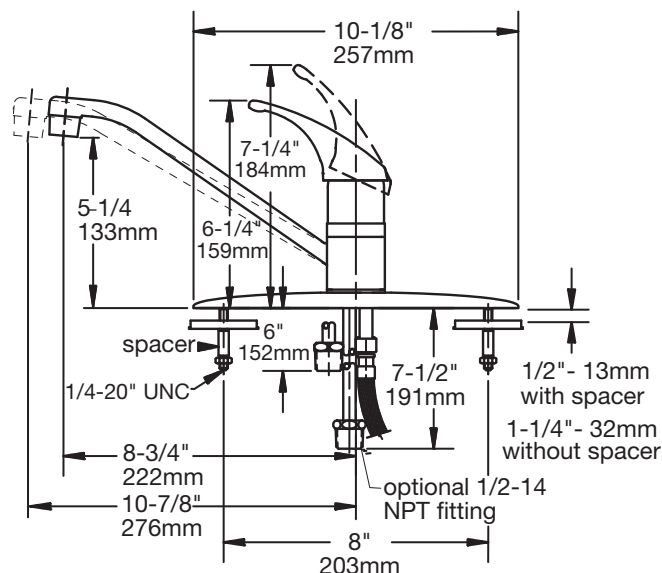
Step 4 Install new cartridge while taking care to maintain position of the o-ring seal at the base of the cartridge. Match posts in base of cartridge with alignment holes in adapter plate during assembly.

Step 5 Reassemble faucet in reverse fashion. Thread cap onto body firmly by hand. Do not use a wrench which may damage the finish. Tighten compression ring (KN-2) finger tight using the wrench (LN-34) then 1/4 to 1/2 turn further. Set hot water limit stop in accordance with installation step 6 above.

Diverter replacement (KN-169)

1. Follow cartridge replacement steps 1 through 5 above.
2. Remove retaining ring (K-44) with 3/8" hex key wrench.
3. Remove diverter (K-43) and o-ring (K-46).
4. Grease diverter o-ring and install into body.
5. Press diverter into o-ring and body.
6. Replace retaining ring.

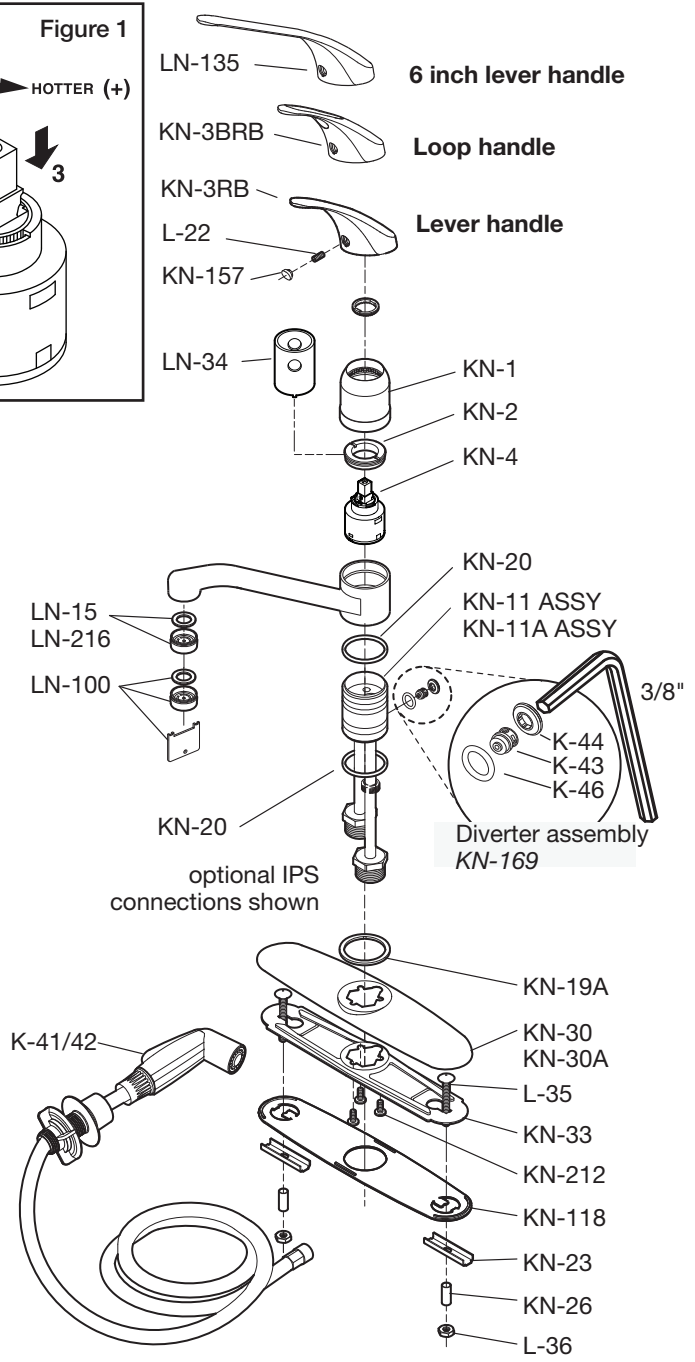
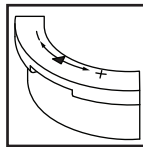
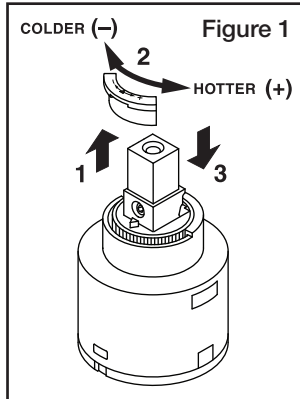
Dimensions Origins Kitchen Faucet, S-23




Note: Dimensions subject to change without notice.

Parts Assembly *Origins Kitchen Faucet, S-23 Series*

- K-41/42* Hand spray and holder
- K-43 Diverter valve
- K-44 Retainer ring
- K-46 O-ring
- KN-1* Valve cap
- KN-2 Compression ring
- KN-3RB* Solid Handle
- KN-3BRB* Loop Handle
- KN-4 Cartridge
- KN-11 ASSY Supply body assembly with diverter
- KN-11A ASSY Supply body assembly without diverter
- KN-19A Spacer
- KN-20 O-ring (2)
- KN-23 Anchor bar (2)
- KN-26 Mounting spacer (2)
- KN-30* Escutcheon
- KN-30A* Escutcheon with hand spray hole
- KN-33 Base plate
- KN-118 Gasket
- KN-157 Plug button
- KN-169 Diverter assembly
- KN-212 Screw (3)
- L-22 Set screw
- L-35 Carriage bolt (2)
- L-36 Mounting nut (2)
- LN-216* Aerator (Faucet with hand spray)
- LN-34 Cartridge wrench
- LN-135 6" lever handle with red/blue indicators



Aerator (flow regulator)	Part Number*	
	Standard Aerator	Vandal Resistant with removal tool
2.2 gpm (8.3L/min)	LN-15	LN-101
1.5 gpm (5.7L/min)	FLR-110-1.5	FLR-110-1.5-VP
1.0 gpm (3.8L/min)	FLR-110-1.0	RL-288-VP-1.0
.5 gpm (1.9L/min)	----	LN-100
Removal tool part number, LL-60K		

* Note: When ordering parts for products with an optional decorative finish, append appropriate three letter finish suffix code to part numbers marked with an asterisk (*).

For California Residents

WARNING: This product contains chemicals known to the State of California to cause cancer, birth defects, or other reproductive harm.

Symmons Industries, Inc. ■ 31 Brooks Drive ■ Braintree, MA 02184
 Phone: (800) 796-6667 ■ Fax: (800) 961-9621
 Website: symmons.com ■ Email: gethelp@symmons.com





Kitchen Faucet S-23-BH Series

Installation and Service Instructions



Installation

Caution: Be sure to turn off hot and cold water supplies before installing or servicing faucet.

Step 1 If installing model with hose and spray, install hose guide into hole in sink (normally the far right hole on four hole sink). From underneath sink place washer then nut over hose guide and secure to sink. Insert hose through hose guide and up through middle hole from left in sink. Loosely install the anchor bar (KN-23), spacer (KN-26) and nut (L-36) on the mounting bolts and place gasket on base of faucet. From above sink attach hose securely to nipple on base of faucet.

Step 2 Align faucet to sink by matching underside arrow and word "FRONT" on base plate (KN-33) with front of sink. Insert through center hole of sink and anchor bar/spacer/nut assemblies through holes in sink. Secure faucet to sink by tightening nuts from underside. (If sink surface is uneven use putty or sealant to make proper seal under base.)

Step 3 Connect flex hoses (LN-247) to supply stops (left hose to hot, right hose to cold). Hot supply hose is marked with tag.

Step 4 It is very important to thoroughly flush the supply lines to prevent foreign matter, i.e. copper chips, sand, stones, etc. from damaging the sealing surfaces of cartridge. Remove aerator and turn valve handle on to full cold position, open cold supply. Without closing, turn handle to full hot and open hot supply. Let water run in hot only and cold only positions long enough to flush supply lines thoroughly. If equipped with a hose and spray, direct spray head into sink and activate spray. Shut off faucet and replace aerator. Check for leaks.

Step 5 The handle limit stop can be set to limit handle turn to the hot position. The limit mechanism is factory set to allow full handle travel. To adjust the limit stop, turn handle to the full hot position and lift handle to open faucet approximately half way to obtain a smooth flow for correct initial temperature measurement.

Step 6 If when faucet is on and in full hot position and water is too hot, shut water off, remove plug button (KN-157), loosen set screw (L-22) and remove handle (KN-3RB or KN-3BRB), lift limit stop using a small flat head screw driver and rotate clockwise to lower temperature. If water is not hot enough, rotate counter clockwise (See Figure 1 on reverse side). After correct temperature is achieved, reattach handle, reversing procedure above.

Cartridge Replacement (KN-4)

Step 1 Remove plug button (KN-157), loosen set screw (L-22) and remove handle (KN-3RB or KN-3BRB).

Step 2 Engage tabs in cartridge wrench (LN-34) with slots in compression ring (KN-2) and use screwdriver in wrench

holes or pliers on wrench and turn counter clockwise until compression ring engages with cap (KN-1). Continue turning counter clockwise so that cap/ring assembly is removed from the body (KN-11).

Step 3 Remove cartridge and o-ring seal (KN-4).

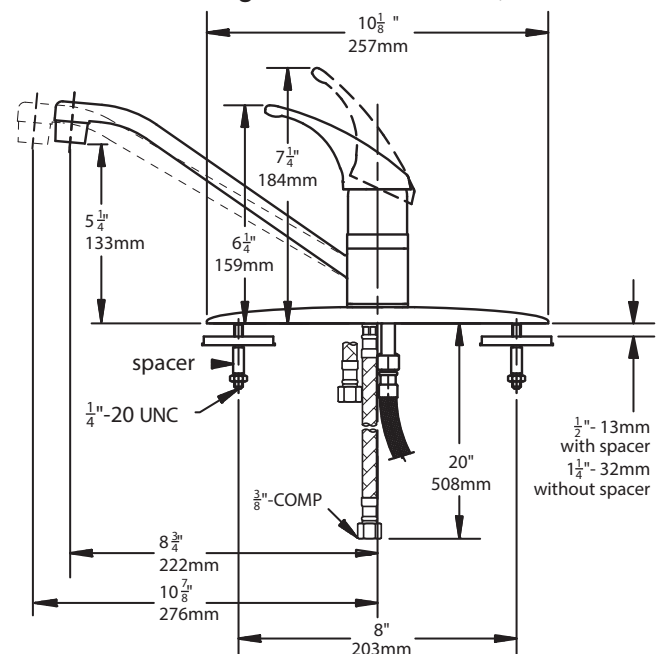
Step 4 Install new cartridge while taking care to maintain position of the o-ring seal at the base of the cartridge. Match posts in base of cartridge with alignment holes in adapter plate during assembly.

Step 5 Reassemble faucet in reverse fashion. Thread cap onto body firmly by hand. Do not use a wrench which may damage the finish. Tighten compression ring (KN-2) finger tight using the wrench (LN-34) then 1/4 to 1/2 turn further. Set hot water limit stop in accordance with installation step 6 above.

Diverter replacement (KN-169)

1. Follow cartridge replacement steps 1 through 5 above.
2. Remove retaining ring (K-44) with 3/8" hex key wrench.
3. Remove diverter (K-43) and o-ring (K-46).
4. Grease diverter o-ring and install into body.
5. Press diverter into o-ring and body.
6. Replace retaining ring.

Dimensions Origins Kitchen Faucet, S-23-BH

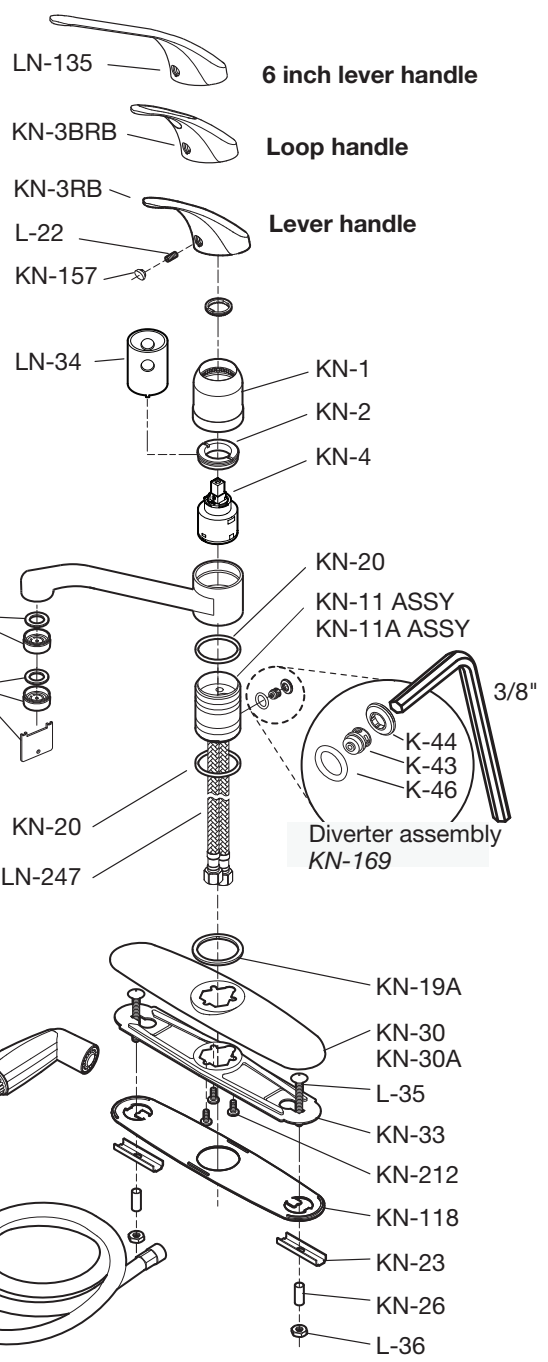
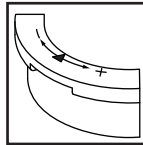
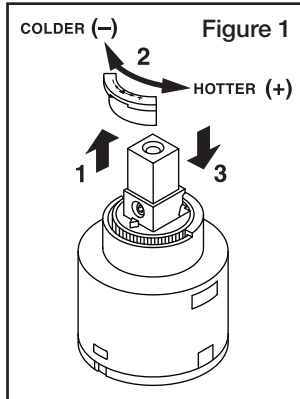



Note: Dimensions subject to change without notice.

Parts Assembly *Origins Kitchen Faucet, S-23-BH Series*

- K-41/42* Hand spray and holder
- K-43 Diverter valve
- K-44 Retainer ring
- K-46 O-ring
- KN-1* Valve cap
- KN-2 Compression ring
- KN-3RB* Solid Handle
- KN-3BRB* Loop Handle
- KN-4 Cartridge
- KN-11 ASSY Supply body assembly with diverter
- KN-11A ASSY Supply body assembly without diverter
- KN-19A Spacer
- KN-20 O-ring (2)
- KN-23 Anchor bar (2)
- KN-26 Mounting spacer (2)
- KN-30* Escutcheon
- KN-30A* Escutcheon with hand spray hole
- KN-33 Base plate
- KN-118 Gasket
- KN-157 Plug button
- KN-169 Diverter assembly
- KN-212 Screw (3)
- L-22 Set screw
- L-35 Carriage bolt (2)
- L-36 Mounting nut (2)
- LN-216* Aerator (Faucet with hand spray)
- LN-34 Cartridge wrench
- LN-135 6" lever handle with red/blue indicators
- LN-247 Flex hoses (3/8 inch compression)

Repair use only



Aerator (flow regulator)	Part Number*	
	Standard Aerator	Vandal Resistant with removal tool
2.2 gpm (8.3L/min)	LN-15	LN-101
1.5 gpm (5.7L/min)	FLR-110-1.5	FLR-110-1.5-VP
1.0 gpm (3.8L/min)	FLR-110-1.0	RL-288-VP-1.0
.5 gpm (1.9L/min)	----	LN-100
Removal tool part number, LL-60K 		

* Note: When ordering parts for products with an optional decorative finish, append appropriate three letter finish suffix code to part numbers marked with an asterisk (*).