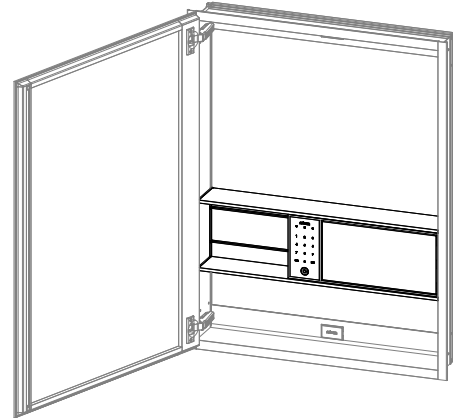


Uplift Tech 24  
 Uplift Tech 30, 36, 48\*  
 (\*Can only be installed on the right side of electrical column)



Portray 16, 20, 24  
 PL Series 16, 20, 24  
 Profiles 16, 20, 24  
 MC Series 16, 20, 24  
 DC Series 16, 20, 24  
 AiO 24, Vitality 24  
 R<sup>3</sup> Series 20, 24

---

## CONTENTS

- Tools Needed - **2**
- Parts - **2**
- Notes - **3**
- Dimensions - **3**
- New Installation: Portray / R<sup>3</sup> / Uplift Tech - **4**
- New Installation: PL / M / PC / DC / AC / YC - **6**
- Existing Recessed Installation - **8**
- Existing Surface Installation - **9**
- Finish the Installation - **10**
- Use and Maintenance - **11**
- Cleaning - **11**
- Warranty - **11**
- Compliance - **12**

---

## GENERAL INFORMATION

This instruction sheet contains information on how to install a lock box and shelf in a variety of applications. This product kit fits different cabinet sizes. Read the specific instruction for how your lock box and shelf will be installed. Cabinet sold separately.

Save these instructions for future use and reference. An improper installation voids the warranty. Carefully inspect the lock box, shelf and hardware for damage prior to installation. Installed products cannot be returned.

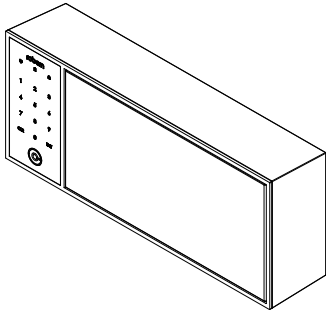
If you experience any problems with your lock box, contact your dealer or Robern directly.

Limited Warranty — One Year Term

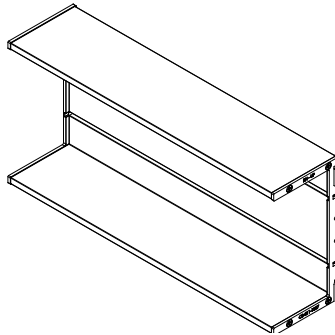
# TOOLS NEEDED



# PARTS



[211-1331]  
Digital Lock Box



Lock Box Shelf

[216-1192]  
Hardware Bag\*

[211-1325]  
(2) Mounting Block

[203-1492]  
(4) #10 x 3/8" Screw

[203-1493]  
(4) #6 x 3/8" Screw

[SS125]  
(4) #6 x 3/4" Screw

[211-1328]  
(4) Locking Pin

[216-1193]  
Quick Start Bag

[217-1382]  
Quick Start Guide


Registration Card

[203-1510]  
(2) Lock Box Key

\*Depending on installation, not all parts will be used.

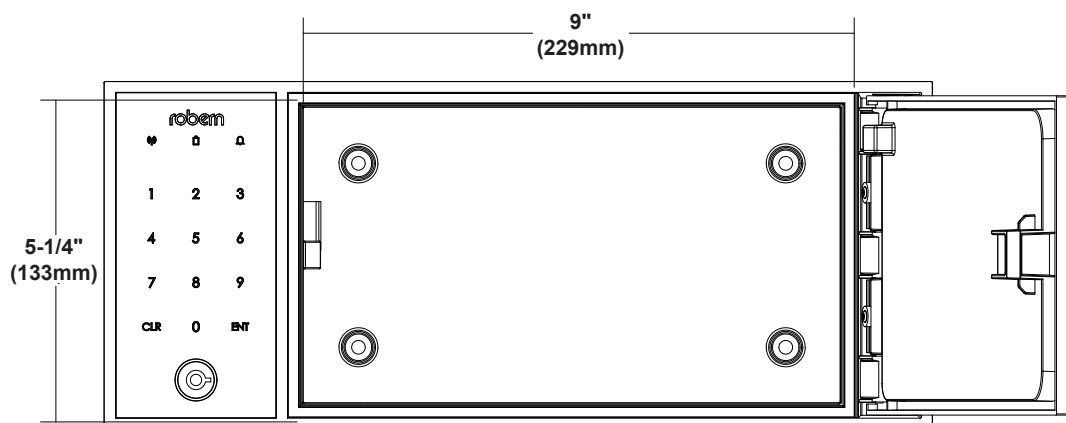
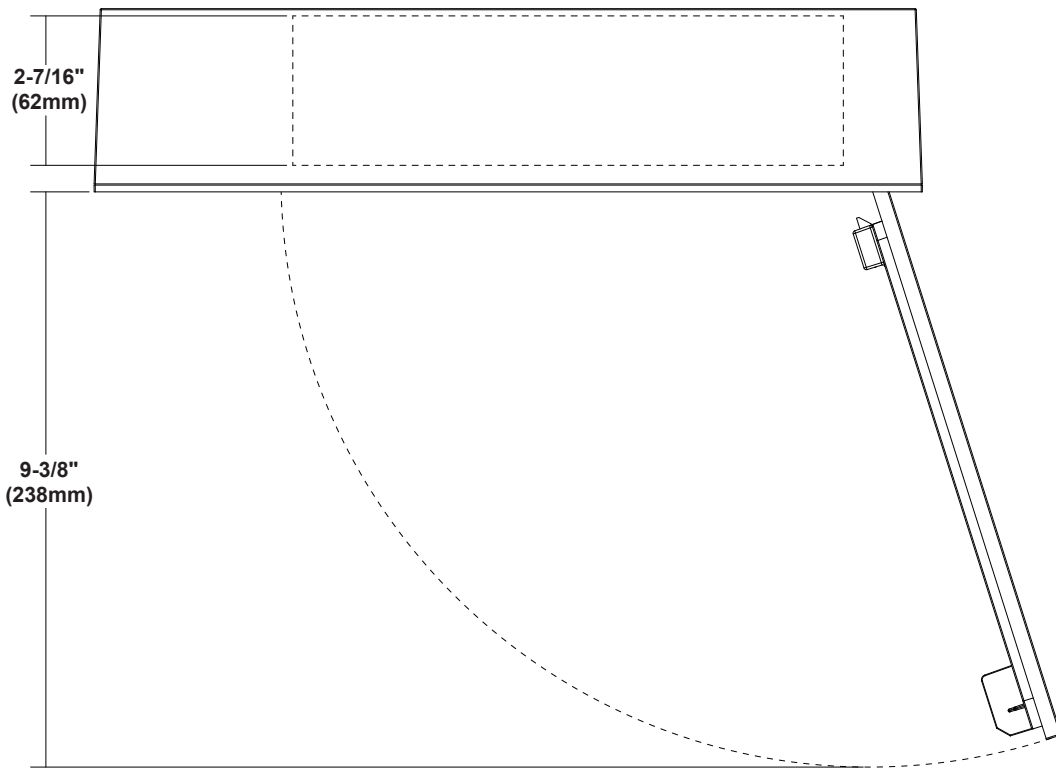
---

## NOTES

 **WARNING!** To reduce the risk of electrical shock, shut off power before installing in an electrically powered cabinet.

---

## DIMENSIONS



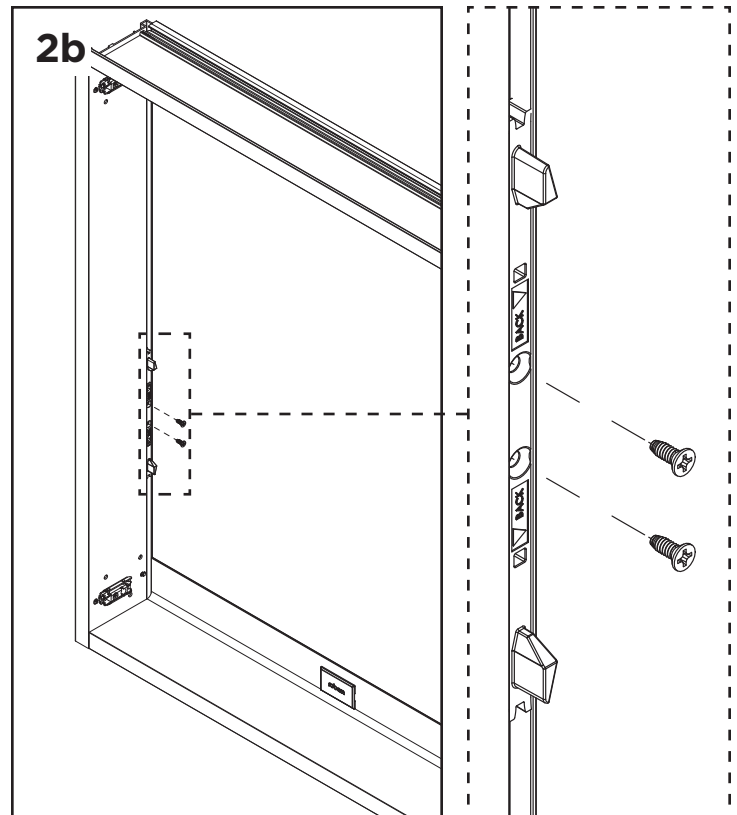
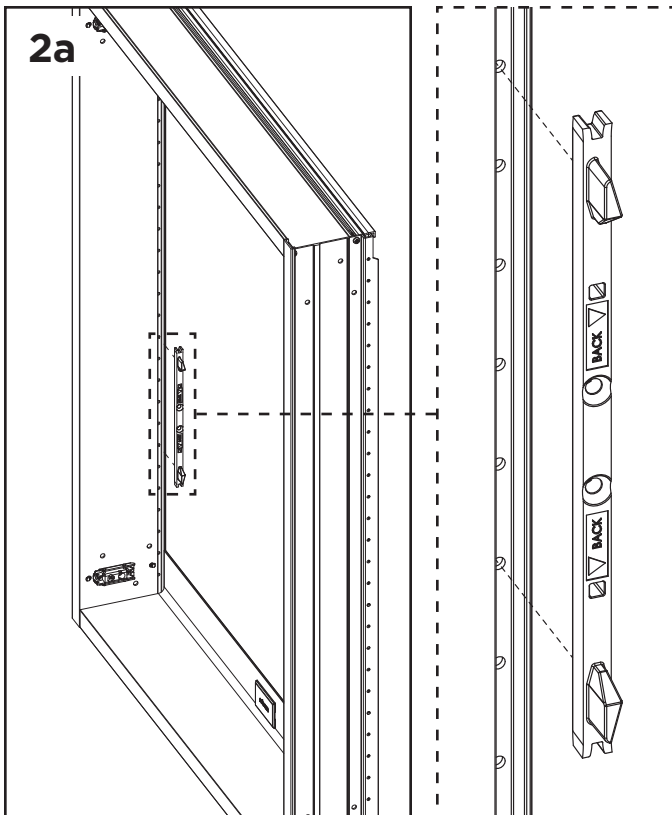
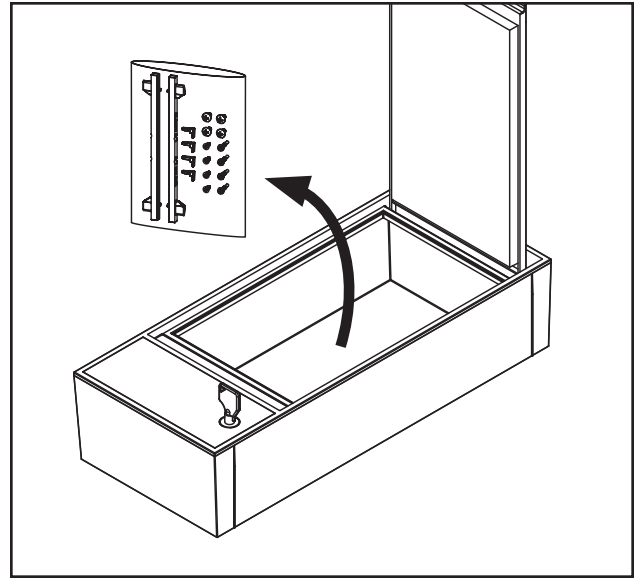
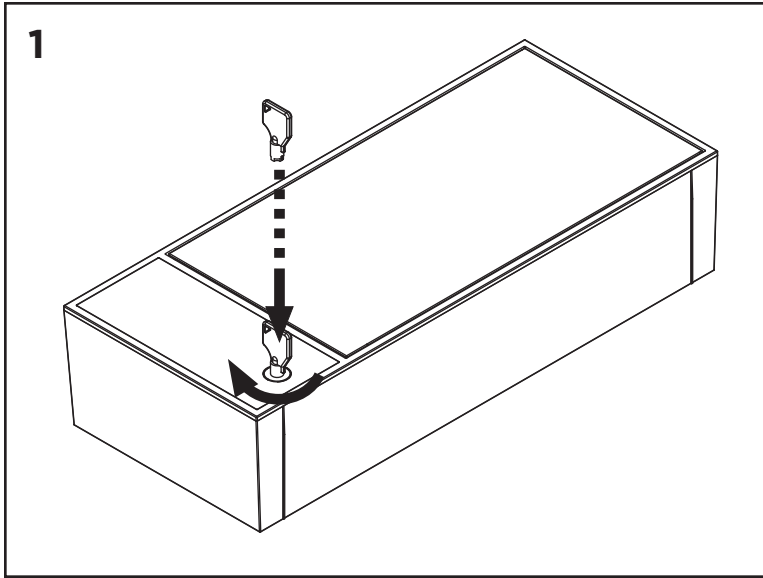
# NEW INSTALLATION: PORTRAY / R<sup>3</sup> / UPLIFT TECH

NOTE: Remove door from cabinets before beginning.

NOTE: For existing installations, proceed to sections EXISTING RECESSED INSTALLATION (p. 8) or EXISTING SURFACE INSTALLATION (p. 9).

1. Using the key provided, open the digital lock box and remove the hardware bag.
2. Position and insert mounting blocks into each side of the cabinet at your preferred height and secure with two screws [203-1493] in each mounting block.

NOTE: Arrows on mounting blocks should be pointed toward back of cabinet box.



robern

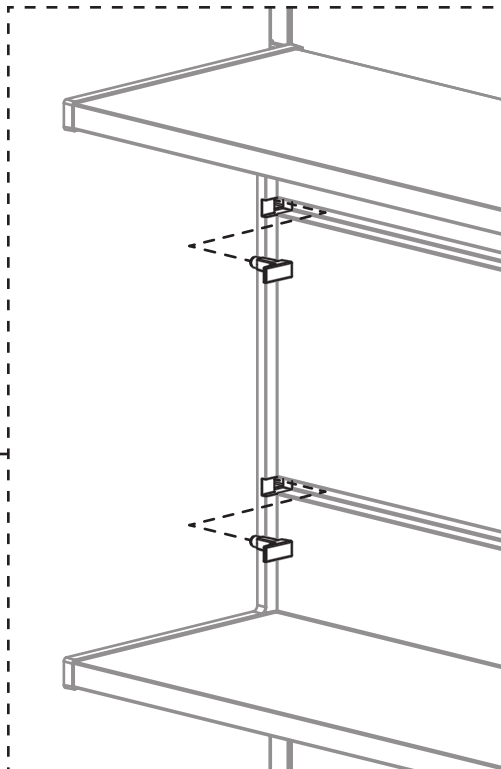
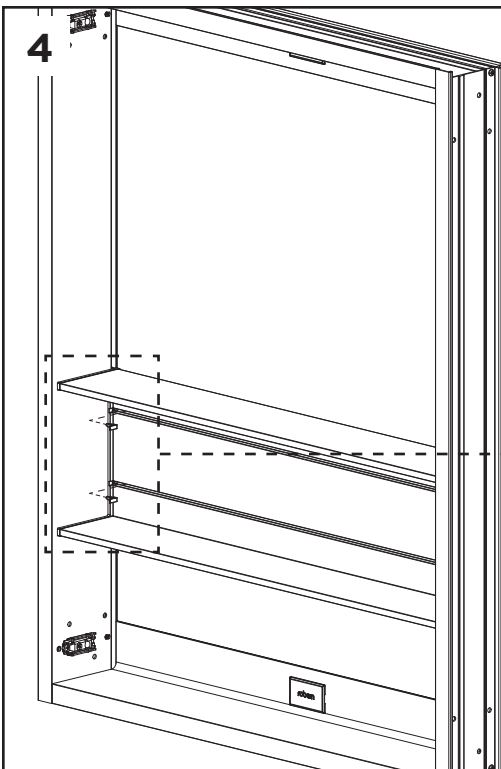
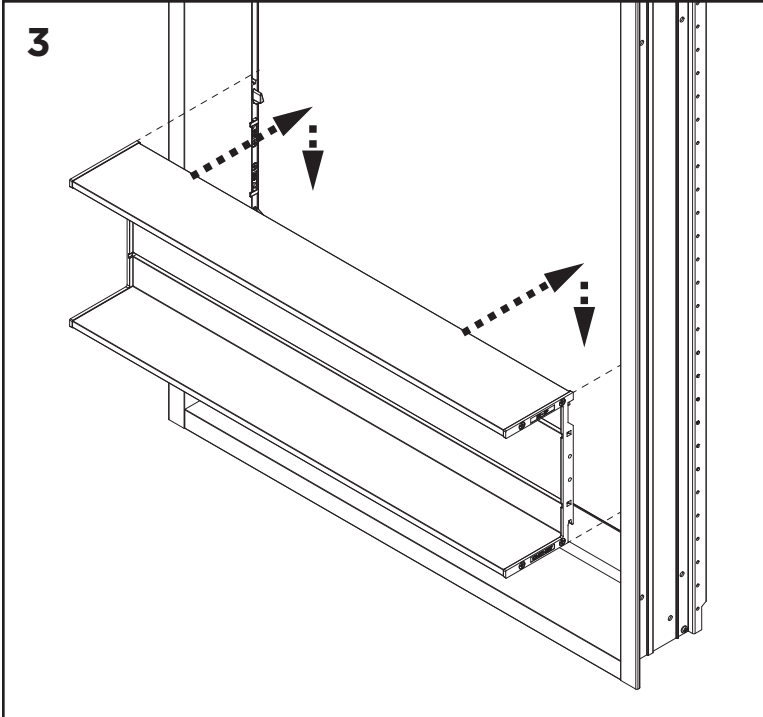
© 2020 Robern, Inc. 701 N. Wilson Ave. Bristol, PA 19007 U.S.A.  
800.877.2376 [www.robern.com](http://www.robern.com)

## NEW INSTALLATION: PORTRAY / R<sup>3</sup> / UPLIFT TECH

3. Insert lock box shelf into cabinet slightly above the mounting blocks. Gently press the shelf against the back of the cabinet box and then slide down until the shelf engages with the mounting blocks.

4. Insert the four locking pins [211-1328] provided, two pins per side.

NOTE: Proceed to final section, FINISH THE INSTALLATION (p. 10).

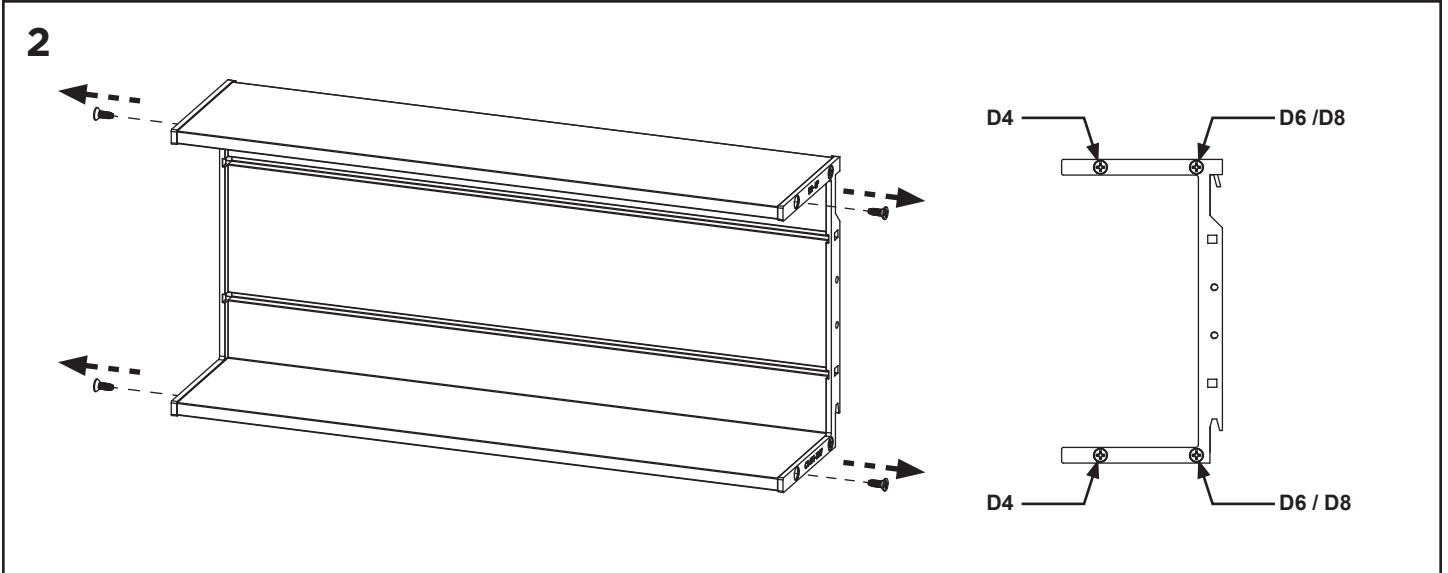
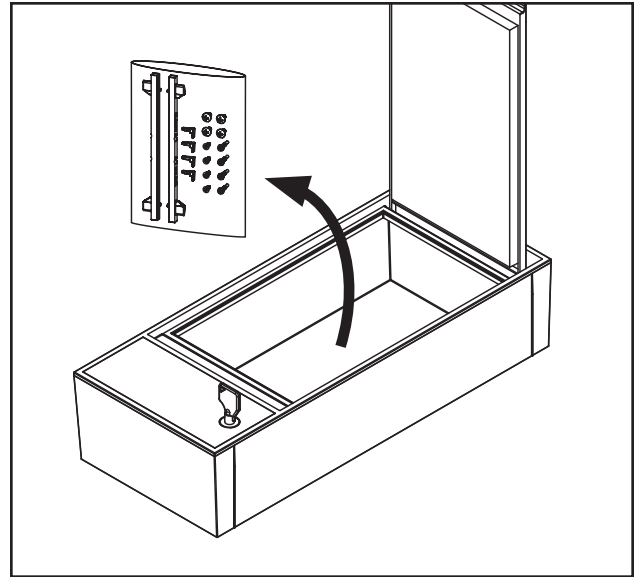
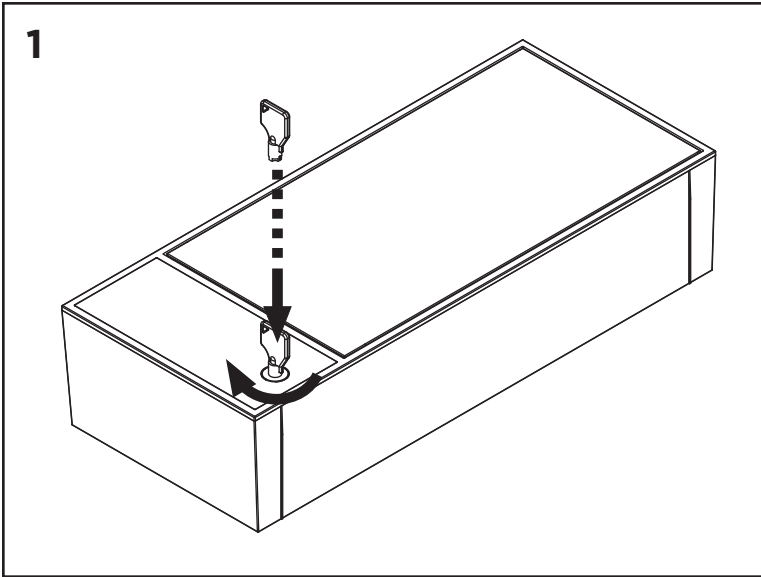


# NEW INSTALLATION: PL / M / PC / DC / AC / YC

NOTE: Remove door from cabinets before beginning.

NOTE: For existing installations, proceed to sections EXISTING RECESSED INSTALLATION (p. 8) or EXISTING SURFACE INSTALLATION (p. 9).

1. Using the key provided, open the digital lock box and remove the hardware bag.
2. Remove two of the four screws from each side of the lock box shelf according to your cabinet depth.

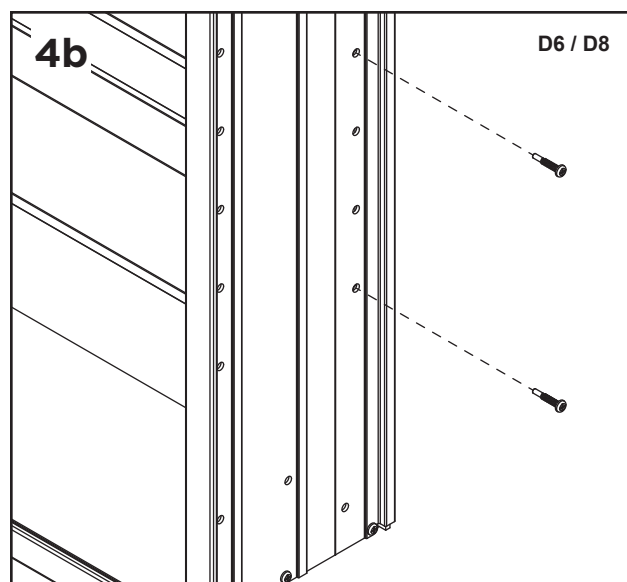
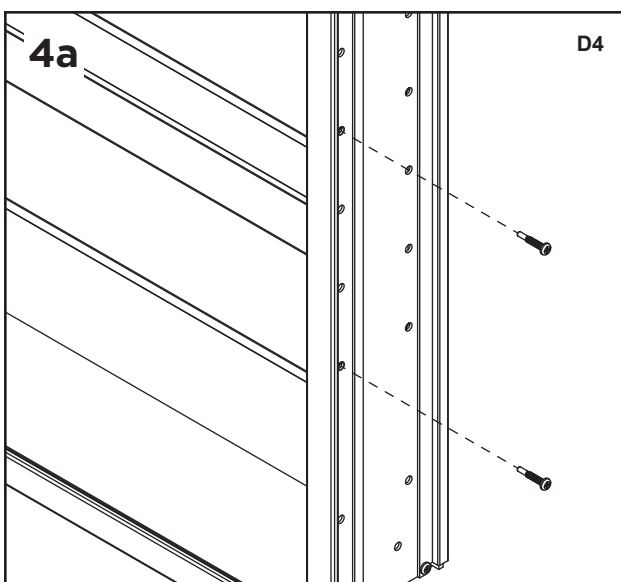
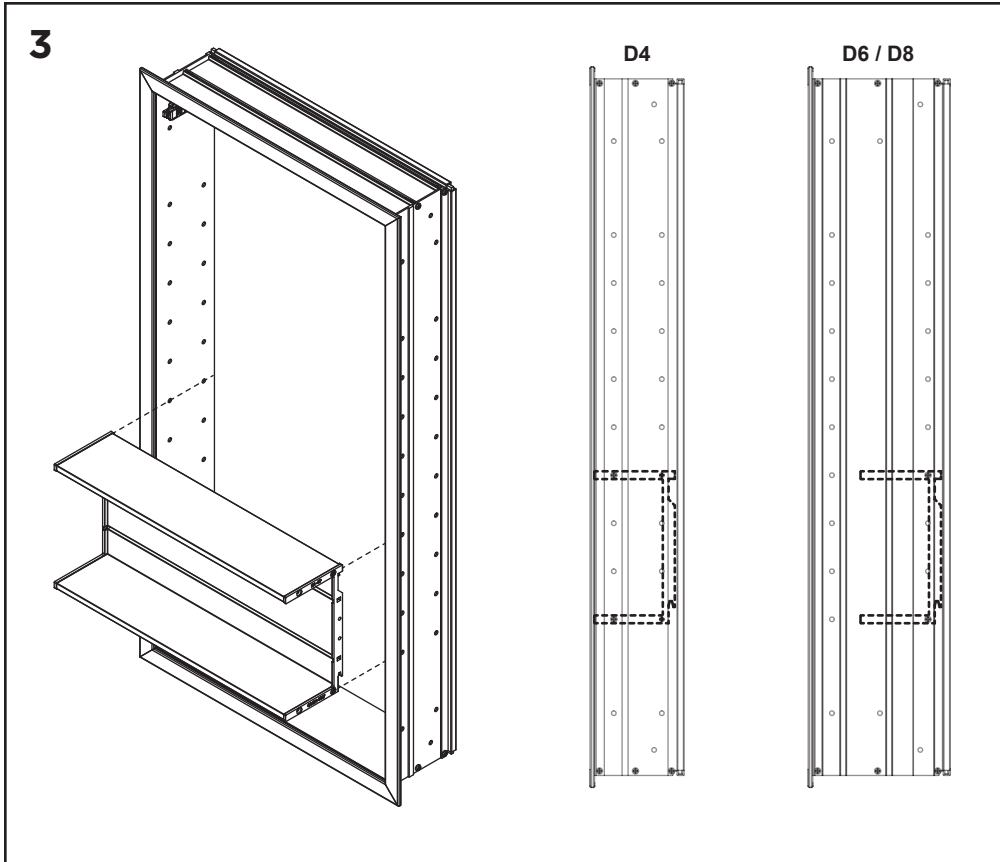


## NEW INSTALLATION: PL / M / PC / DC / AC / YC

3. Insert lock box shelf into cabinet at your preferred height aligning it to the shelf pin holes in the cabinet box.

4. Attach the lock box shelf to the cabinet box using the four #6 x 3/4" screws [SS125] provided.

NOTE: Proceed to final section, FINISH THE INSTALLATION (p. 10).



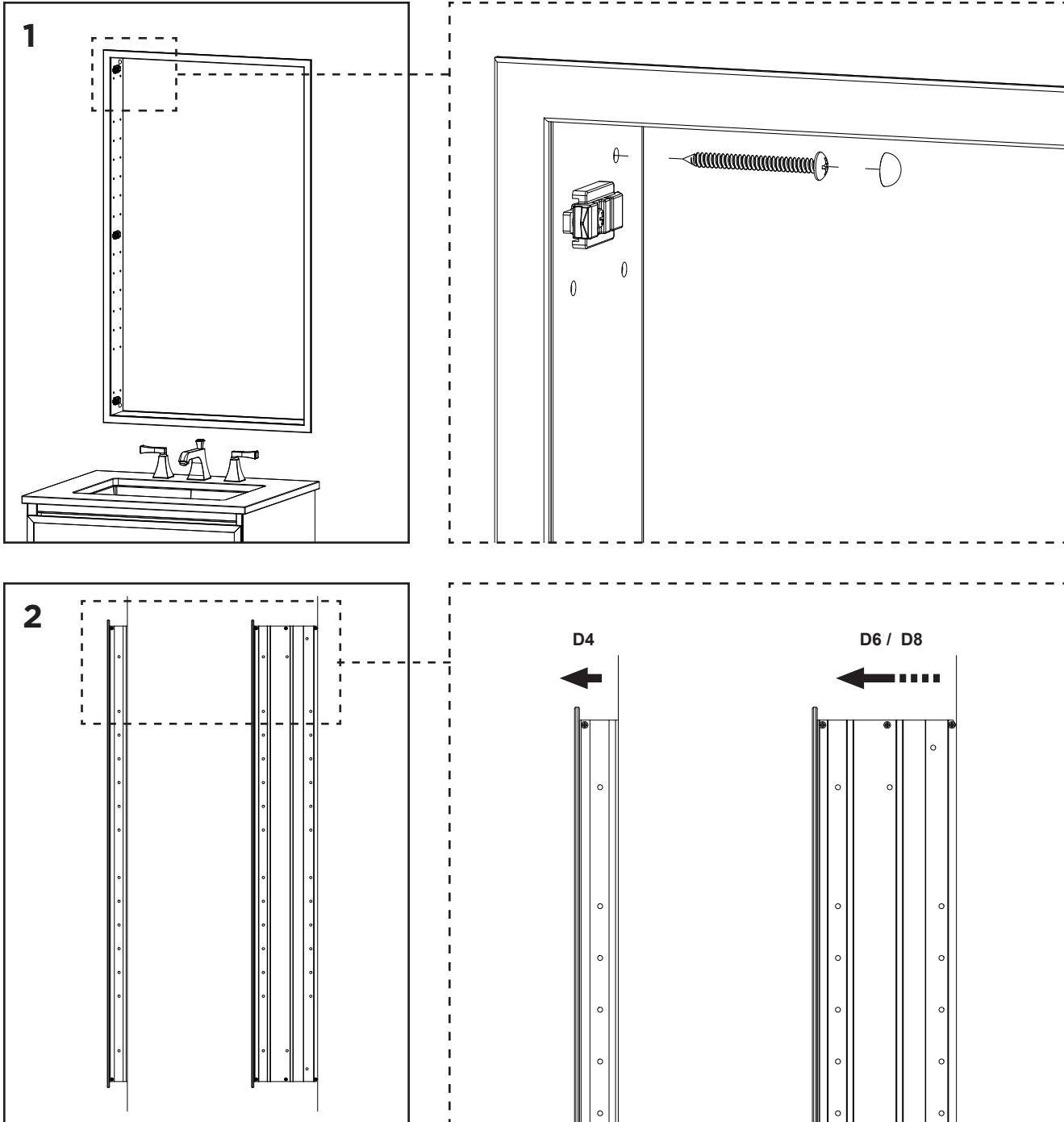
# EXISTING RECESSED INSTALLATION

NOTE: For cabinets with electrical options, turn breaker off before beginning.

NOTE: Remove door from cabinets before beginning.

1. Remove four mounting screws from the cabinet box and save for reinstallation of cabinet.
2. Partially remove the cabinet from the rough opening until the required shelf holes are accessible.

NOTE: Proceed to previous section, NEW INSTALLATION: PL / M / PC / DC / AC / YC (p. 6).





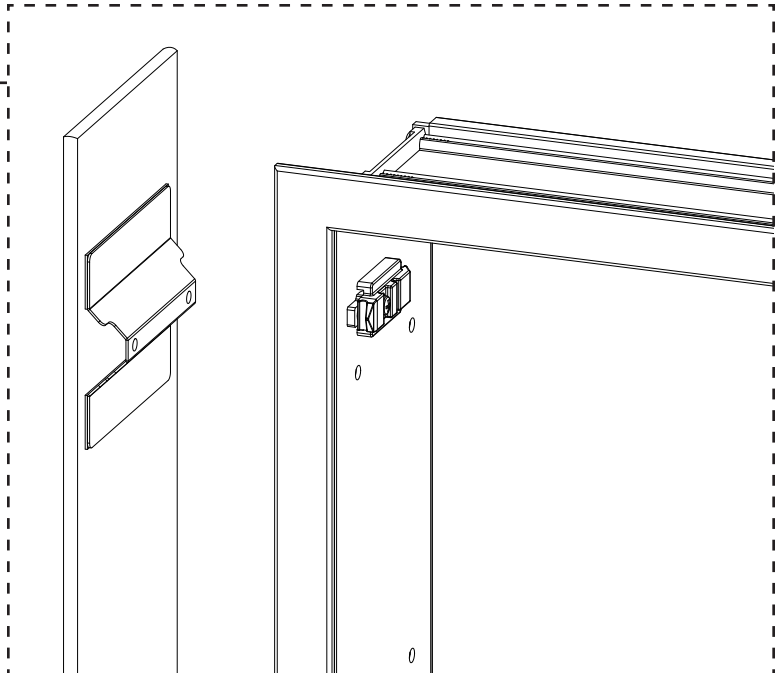
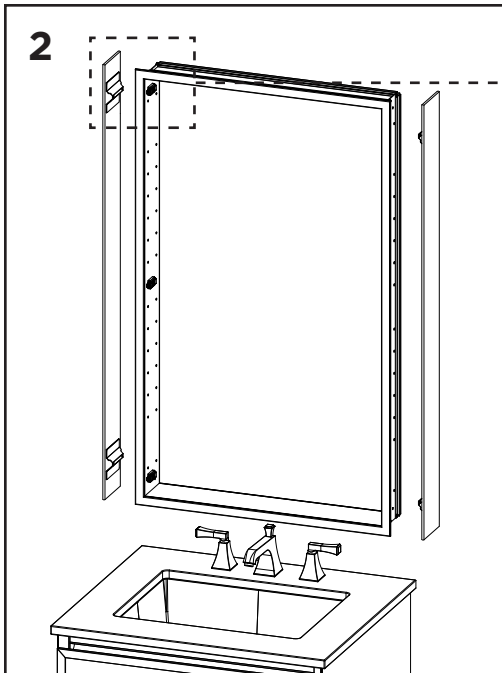
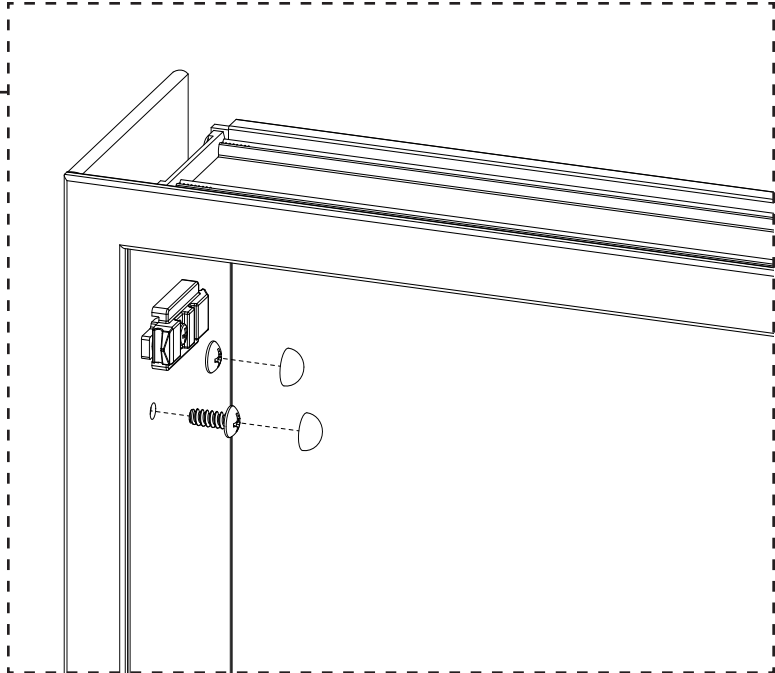
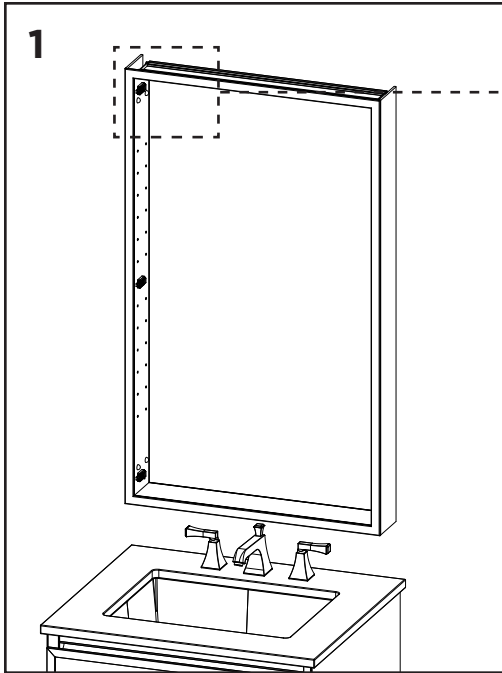
# EXISTING SURFACE INSTALLATION

NOTE: For cabinets with electrical options, turn breaker off before beginning.

NOTE: Remove door from cabinets before beginning.

1. Remove four screws holding each side kit to the cabinet box and save for side kit reinstallation.
2. Remove side kits and set aside in a safe location.

NOTE: Proceed to previous section, NEW INSTALLATION: PL / M / PC / DC / AC / YC (p. 6).

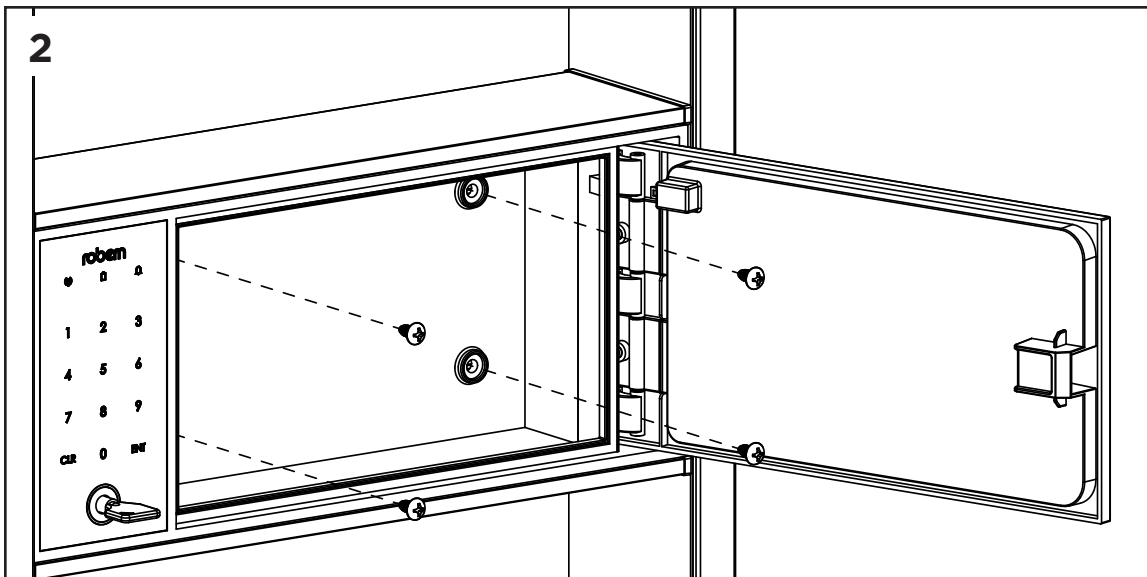
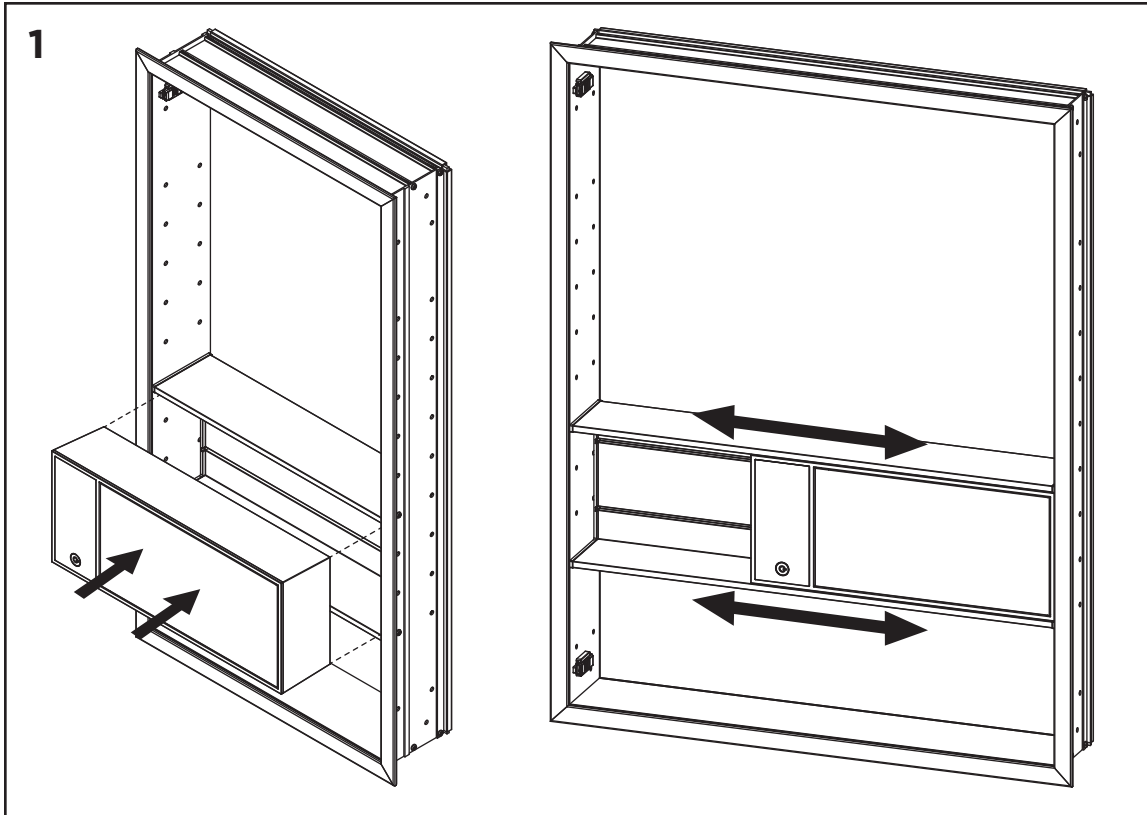


## FINISH THE INSTALLATION

1. Once the shelf is secured, insert the lock box. If your shelf is wider than the lock box, adjust the lock box to your desired position, side to side, within the cabinet.
2. Secure the lock box into the shelf using the four #10 x 3/8" screws [203-1492] provided.
3. Proceed according to Cabinet's Installation Instructions.

NOTE: For existing installations, re-mount the recessed cabinet or reinstall all side kits removed.

4. For setup and activation of the lock box, refer to the Quick Start Guide [217-1382].



robern

© 2020 Robern, Inc. 701 N. Wilson Ave. Bristol, PA 19007 U.S.A.  
800.877.2376 [www.robern.com](http://www.robern.com)

---

## USE AND MAINTENANCE

Please refer to the IQ Digital Lock Box Quick Start Guide [217-1382] for setup and use instructions.

When ordering replacement keys, have the Serial Number and Security Registration Code available.

This information can be found on the Registration Card and on the label on the rear of the Digital Lock Box.

NOTE: It is strongly recommended that the Registration Card be kept in a safe place for future reference.



---

## CLEANING

Use only a damp cloth to clean. Ammonia or vinegar-based cleaners can damage mirrors.

A 50/50 solution of water and isopropyl alcohol is recommended for cleaning the mirrors.

When cleaning, spray the cloth, not the mirror or surround surfaces. Do not use abrasive cleansers on any part of the cabinet.

---

## WARRANTY

### Limited Warranty One Year Term

Robern warrants to the original purchaser that, it will, at its election repair, replace, or make appropriate adjustment to products made by this company shown to have significant defects in material or workmanship which are reported to Robern in writing within one (1) year from the date of delivery. Robern is not responsible for installation costs. The warranty is void in the event the product is damaged in transit, or if damage or failure is caused by abuse, misuse, abnormal usage, faulty installation, damage in an accident, improper maintenance, or any repairs other than those authorized by Robern. At the expiration of the one year warranty period, Robern shall be under no further obligation under any warranty, expressed or implied, including the implied warranty of merchantability. Robern shall not be liable for any consequential damages arising out of or in connection with the use or performance of its products. Some states do not allow limitations on how long an implied warranty lasts or do not allow the exclusion or limitation of incidental or consequential damages, so the above limitation or exclusion may not apply to you. Any liability against Robern under any implied warranty, including the warranty of merchantability, is expressly limited to the terms of this warranty. Permission to return any merchandise under this warranty must be authorized by Robern and returned prepaid by the purchaser. Claims under this warranty should be sent directly to your dealer.

©2020 Robern, Inc.

All rights reserved

---

**robern**

© 2020 Robern, Inc. 701 N. Wilson Ave. Bristol, PA 19007 U.S.A.  
800.877.2376 [www.robern.com](http://www.robern.com)

---

# COMPLIANCE

## **RF Exposure Statement**

This equipment complies with the FCC RF radiation exposure limits set forth for an uncontrolled environment. This equipment should be installed and operated with a minimum distance of 20cm between the radiator and any part of your body.

This equipment meets the exemption from the routine evaluation limits in section 2.5 of RSS-102. It should be installed and operated with a minimum distance of 20cm between the radiator and any part of your body.

## **FCC Interference Statement**

This device complies with Part 15 of the FCC Rules. Operation is subject to the following two conditions:

1. This device may not cause harmful interference, and
2. This device must accept any interference received, including interference that may cause undesired operation.

NOTE 1: This equipment has been tested and found to comply with the limits for a Class B digital device, pursuant to part 15 of the FCC Rules. These limits are designed to provide reasonable protection against harmful interference in a residential installation. This equipment generates uses and can radiate radio frequency energy and, if not installed and used in accordance with the instructions, may cause harmful interference to radio communications. However, there is no guarantee that interference will not occur in a particular installation. If this equipment does cause harmful interference to radio or television reception, which can be determined by turning the equipment off and on, the user is encouraged to try to correct the interference by one or more of the following measures:

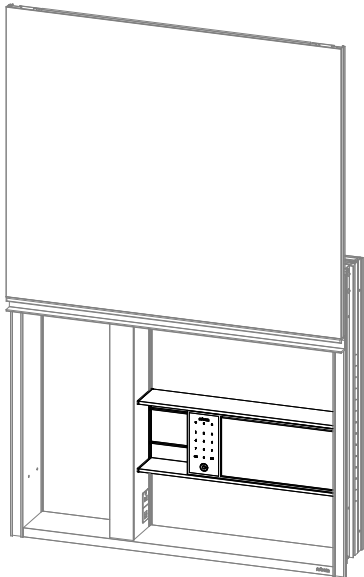
- Reorient or relocate the receiving antenna.
- Increase the separation between the equipment and receiver.
- Connect the equipment into an outlet on a circuit different from that to which the receiver is connected.
- Consult the dealer or an experienced radio/TV technician for help.

NOTE 2: Any changes or modifications to this unit not expressly approved by the party responsible for compliance could void the user's authority to operate the equipment.

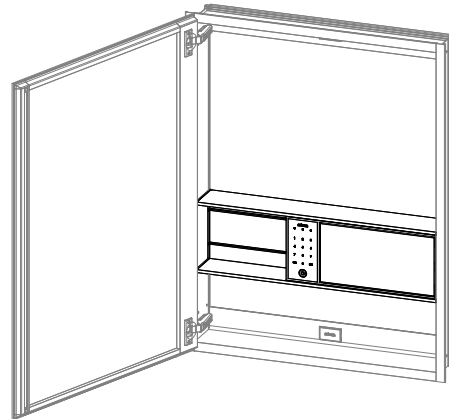
## **Industry Canada Statement**

This device contains licence-exempt transmitter(s) that comply with Innovation, Science and Economic Development Canada's licence exempt RSS(s). Operation is subject to the following two conditions:

1. This device may not cause interference.
2. This device must accept any interference, including interference that may cause undesired operation of the device.



Uplift Tech 24  
 Uplift Tech 30, 36, 48\*  
 (\*Ne peut être installé que sur le côté droit de la colonne électrique)  
 (\*Solo se puede instalar en el lado derecho de la columna eléctrica)



Portray 16, 20, 24  
 PL Series 16, 20, 24  
 Profiles 16, 20, 24  
 MC Series 16, 20, 24  
 DC Series 16, 20, 24  
 AiO 24, Vitality 24  
 R<sup>3</sup> Series 20, 24

## TABLE DES MATIÈRES

Outils nécessaires - **2**  
 Pièces - **2**  
 Notes - **3**  
 Dimensions - **3**  
 Nouvelle installation : Portray / R<sup>3</sup> / Uplift Tech - **4**  
 Nouvelle installation : PL / M / PC / DC / AC / YC - **6**  
 Installation encastrée existante - **8**  
 Installation de surface existante - **9**  
 Achever l'installation - **10**  
 Nettoyage - **11**  
 Garantie - **11**  
 Utilisation et entretien - **12**  
 Conformité - **12**

## INFORMATIONS GÉNÉRALES

Cette fiche d'instructions donne des informations sur la manière d'installer un boîtier verrouillé et une étagère dans différentes situations. Ce kit convient à différentes tailles d'armoires. Lisez les instructions relatives à l'installation du boîtier verrouillé et de l'étagère. Armoire vendue séparément.

Conservez ces instructions pour pouvoir vous y reporter et les utiliser ultérieurement. Une mauvaise installation annule la garantie. Avant l'installation, inspectez soigneusement le boîtier, l'étagère et le matériel pour vérifier qu'ils ne sont pas endommagés. Les produits installés ne peuvent pas être retournés.

Si vous rencontrez des problèmes avec votre boîte verrouillée, contactez votre revendeur ou Robern directement.

Garantie limitée — Durée d'un an

## CONTENIDO

Herramientas necesarias - **2**  
 Piezas - **2**  
 Notas - **3**  
 Dimensiones - **3**  
 Nuevo montaje: Portray / R<sup>3</sup> / Uplift Tech - **4**  
 Nuevo montaje: PL / M / PC / DC / AC / YC - **6**  
 Montaje en hueco existente - **8**  
 Montaje sobre superficie existente - **9**  
 Finalización del montaje - **10**  
 Limpieza - **11**  
 Garantía - **11**  
 Uso y mantenimiento - **12**  
 Conformidad - **12**

## INFORMACIÓN GENERAL

Esta hoja de instrucciones contiene información sobre cómo montar una caja de seguridad y una estantería para diferentes utilidades. El kit de este producto se adapta a armarios de diferentes tamaños. Lea las instrucciones específicas sobre cómo debe montar su caja de seguridad y estantería. El armario se vende por separado.

Guarde estas instrucciones para consultarlas en el futuro según sea necesario. Un montaje incorrecto anulará la garantía del producto. Antes de iniciar el montaje, inspeccione cuidadosamente la caja de seguridad, la estantería y los componentes para asegurarse de que no están dañados. No se pueden devolver aquellos productos que ya se hayan montado.

Si tiene cualquier problema con su caja de seguridad, póngase en contacto con su distribuidor o contacte con Robern directamente.

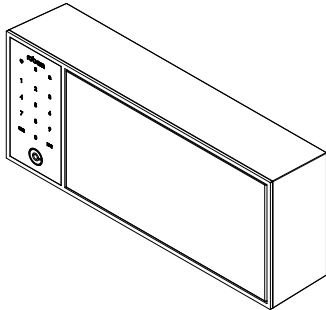
Garantía limitada — Plazo de un año

## OUTILS NÉCESSAIRES

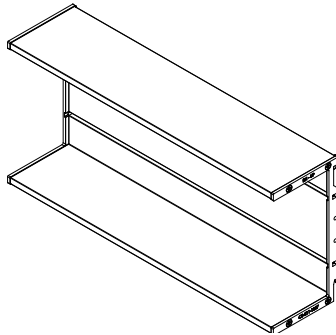


## HERRAMIENTAS NECESARIAS

## PIÈCES

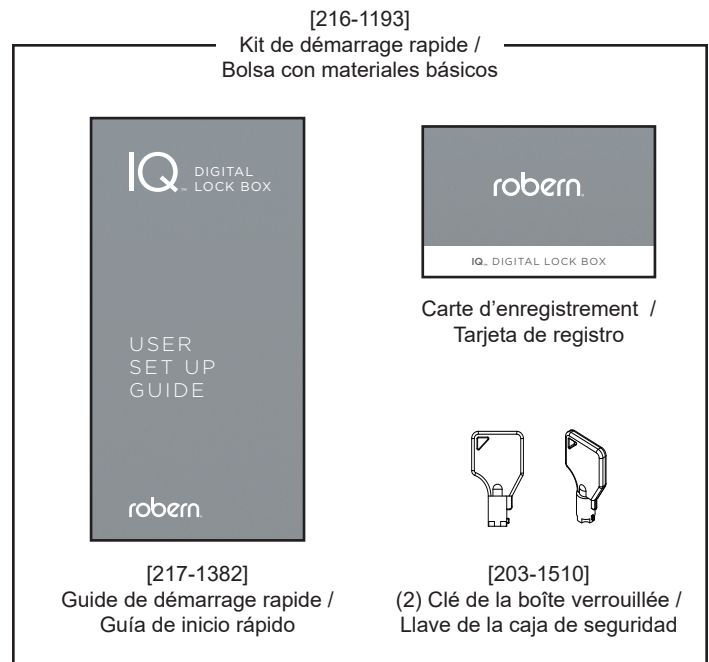
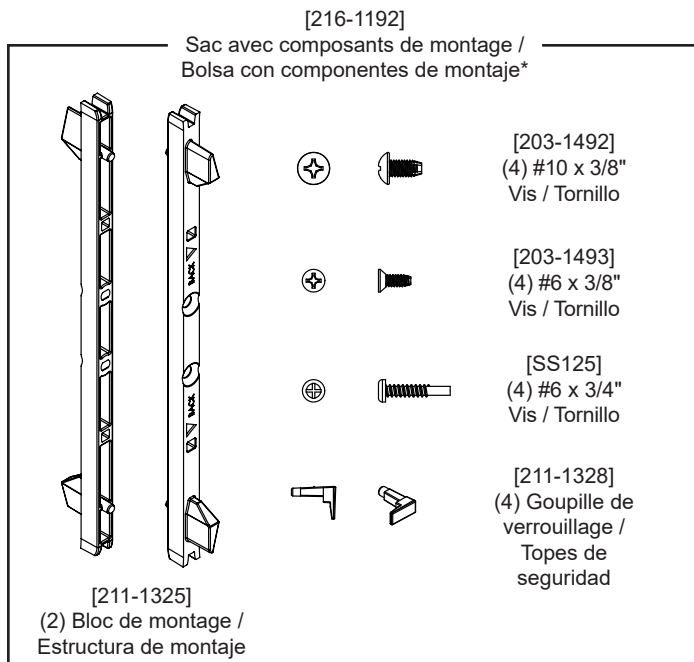


[211-1331]  
Boîte numérique verrouillée /  
Caja de seguridad digital



Étagère de la boîte verrouillée /  
Estantería de la caja de seguridad

## PIEZAS




\*En fonction de l'installation, toutes les pièces peuvent ne pas être utilisées.

\*Según el montaje, no será necesario utilizar todas las piezas.


---

## NOTES

 **ATTENTION!** Pour réduire le risque de décharge électrique, coupez le courant avant de l'installer dans une armoire électrique.

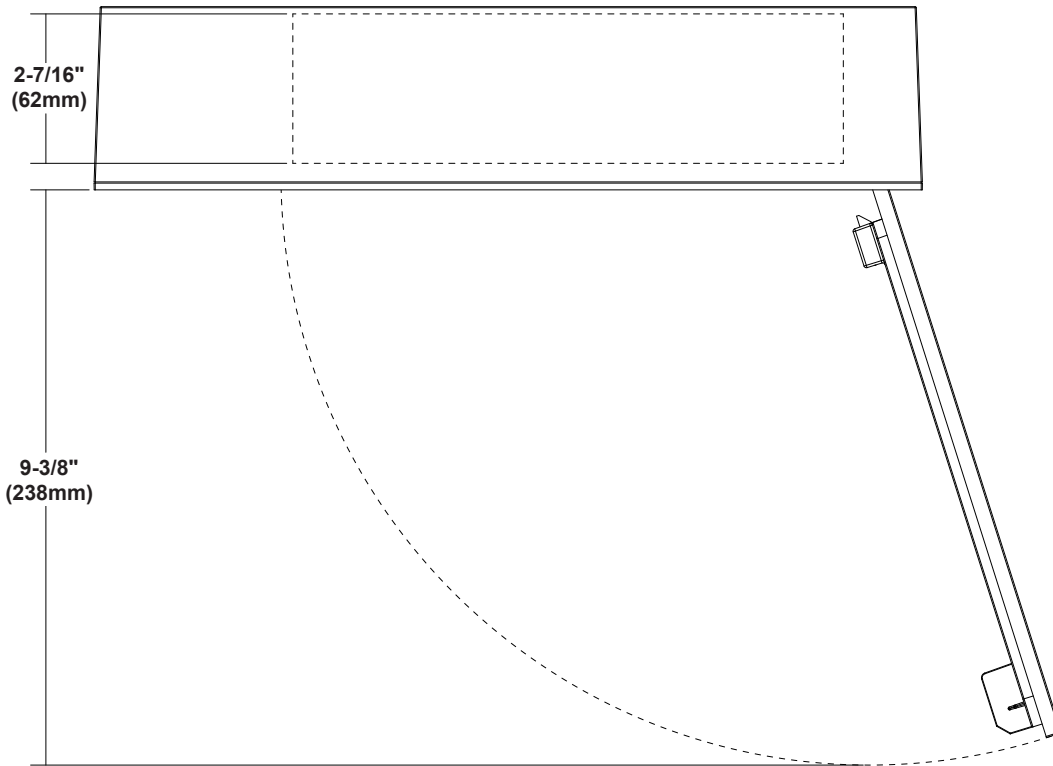
---

## NOTAS

 **¡ADVERTENCIA!** Para reducir el riesgo de un choque eléctrico, desconecte la alimentación eléctrica antes de montar el accesorio en un armario con corriente.

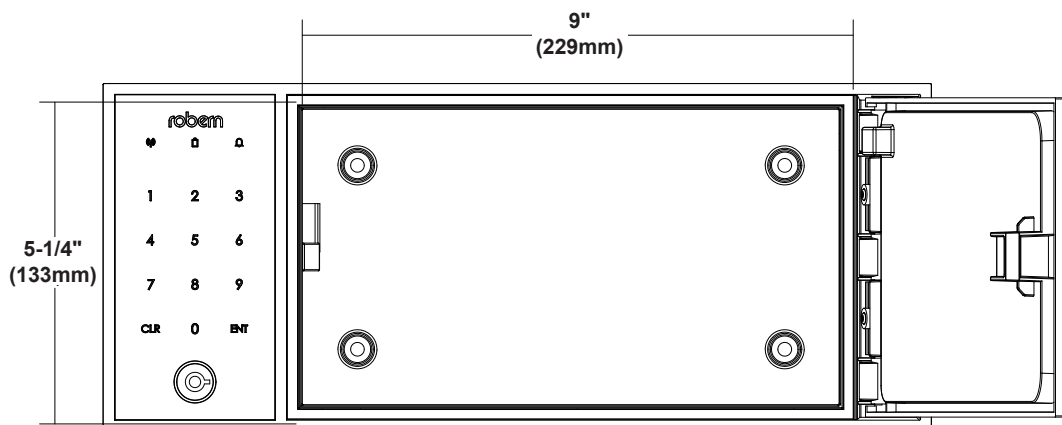
---

## DIMENSIONS



---

## DIMENSIONES



## NOUVELLE INSTALLATION : PORTRAY / R<sup>3</sup> / UPLIFT TECH

REMARQUE : Retirez la porte des armoires avant de commencer.

REMARQUE: Pour les installations existantes, passez aux sections INSTALLATION ENCASTRÉE EXISTANTE (p. 8) ou INSTALLATION DE SURFACE EXISTANTE (p. 9).

1. Ouvrez le boîtier de la serrure numérique à l'aide de la clé fournie et retirez le sachet de matériel.
2. Positionnez et insérez les blocs de montage dans chaque côté du meuble à votre hauteur préférée et fixez-les avec deux vis [203-1493] dans chaque bloc de montage.

REMARQUE : Les flèches sur les blocs de montage doivent être dirigées vers l'arrière du boîtier du meuble.

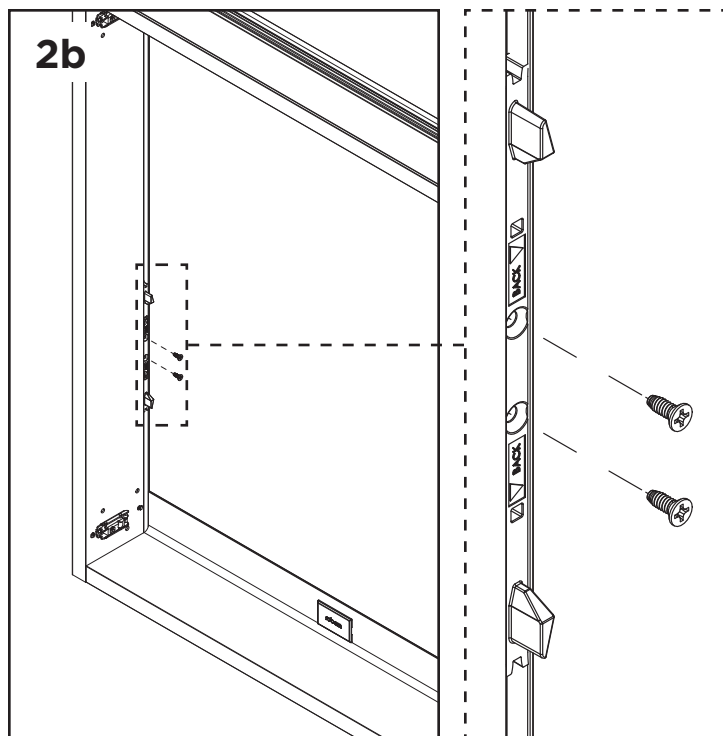
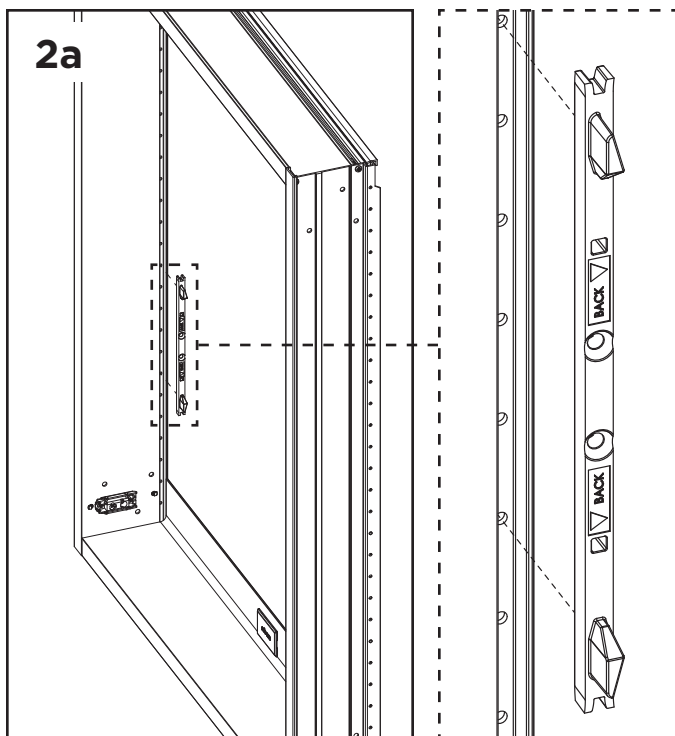
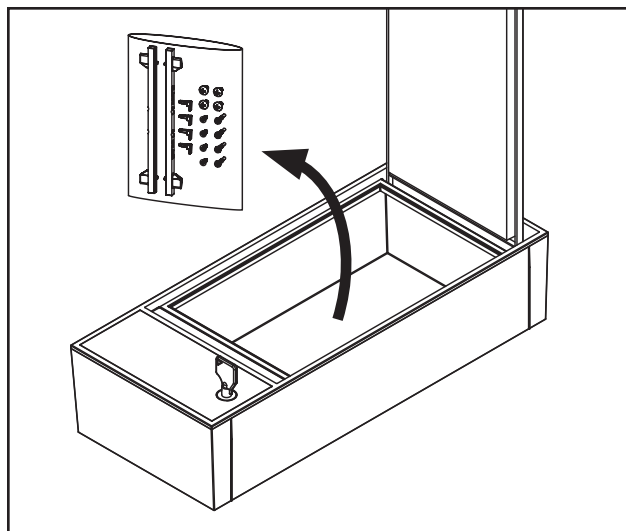
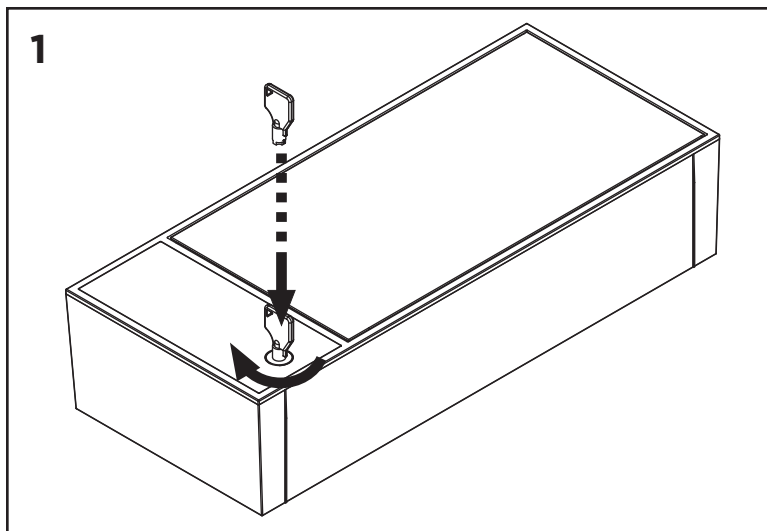
## NUEVO MONTAJE: PORTRAY / R<sup>3</sup> / UPLIFT TECH

NOTA: Extraiga las puertas de los armarios antes de iniciar el proceso.

NOTA: Para instalaciones existentes, proceda a las secciones MONTAJE EN HUECO EXISTENTE (pág. 8) o MONTAJE SOBRE SUPERFICIE EXISTENTE (pág. 9).

1. Con la llave suministrada, abra la caja de seguridad digital y extraiga la bolsa con los accesorios de montaje.
2. Coloque e introduzca las estructuras de montaje dentro de cada uno de los lados del armario a la altura que desee y fíjelas con dos tornillos [203-1493] que deberá introducir en cada una de las estructuras de montaje.

NOTA: Las flechas dibujadas sobre las estructuras de montaje deberán apuntar hacia la parte posterior de la caja del armario.



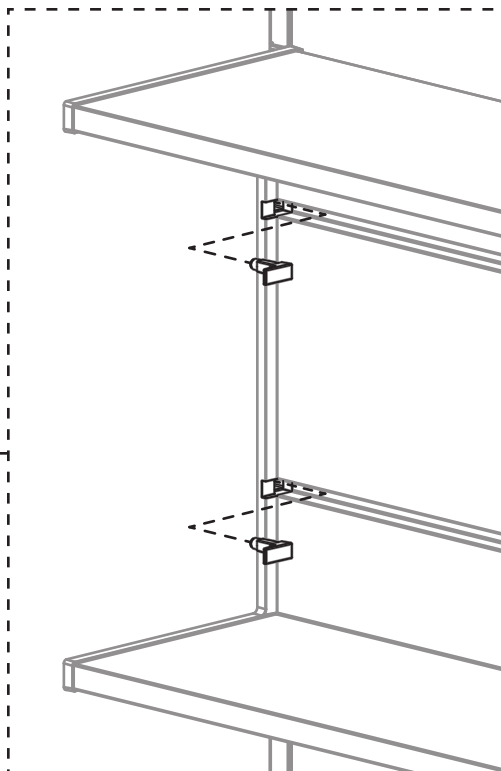
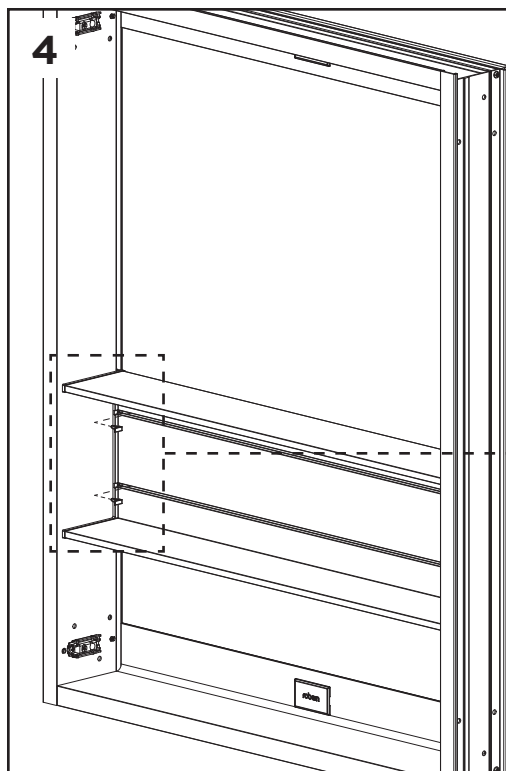
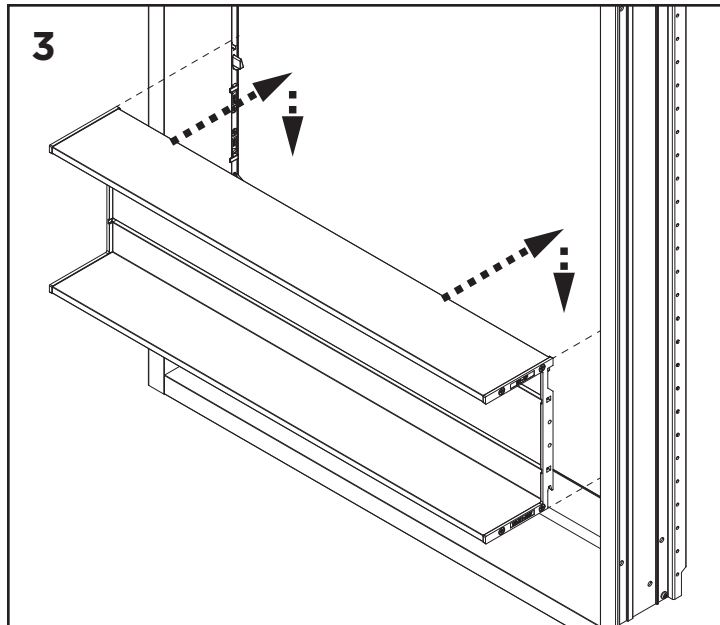


## NOUVELLE INSTALLATION : PORTRAY / R<sup>3</sup> / UPLIFT TECH

3. Insérez la tablette du boîtier de la serrure dans l'armoire, juste au-dessus des blocs de montage. Appuyez doucement sur la tablette contre l'arrière du boîtier du coffret, puis faites-la glisser vers le bas jusqu'à ce qu'elle s'engage dans les blocs de montage.

4 Insérez les quatre goupilles de verrouillage [211-1328] fournies, deux goupilles pour chaque côté.

REMARQUE: Passez à la dernière section, ACHEVER L'INSTALLATION (p. 10).



## NUEVO MONTAJE: PORTRAY / R<sup>3</sup> / UPLIFT TECH

3. Introduzca la estantería de la caja de seguridad en el armario y ligeramente por encima de las estructuras montaje. Empuje con cuidado la estantería hacia la parte posterior de la caja del armario y luego arrástrela hasta que la estantería quede encajada en las estructuras de montaje.

4 Introduzca los cuatro topos de seguridad [211-1328] que se incluyen, dos a cada lado.

NOTA: Continúe con la sección final, FINALIZACIÓN DEL MONTAJE (pág. 10).

## NOUVELLE INSTALLATION : PL / M / PC / DC / AC / YC

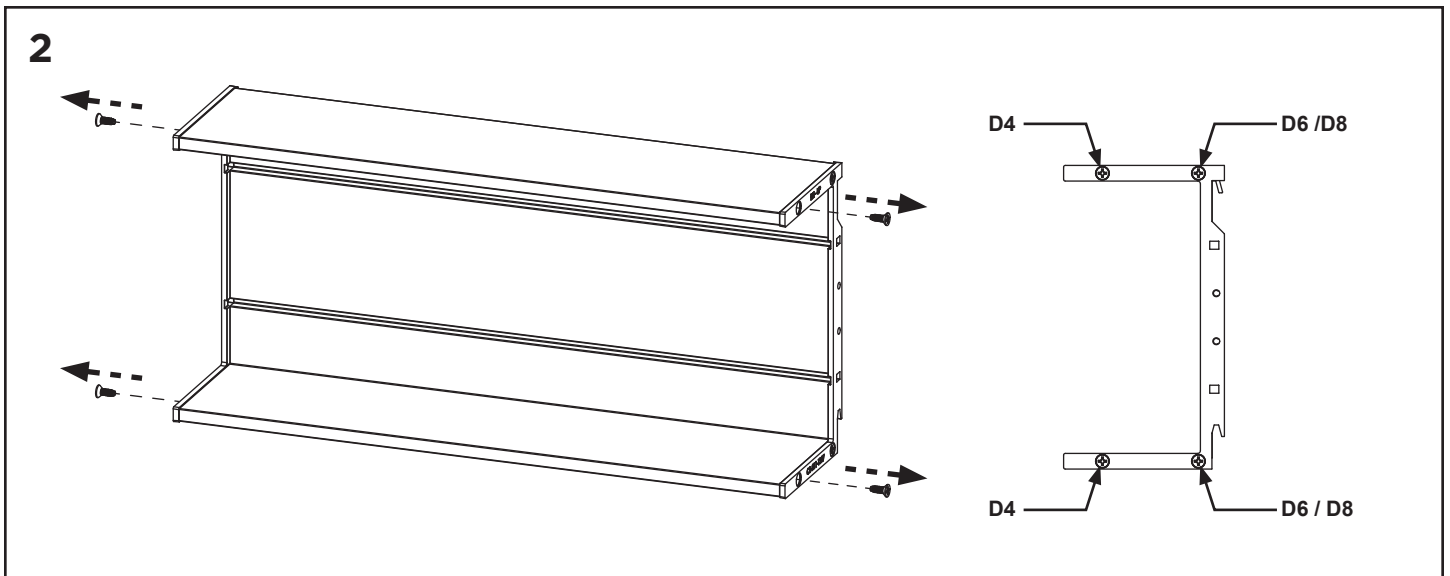
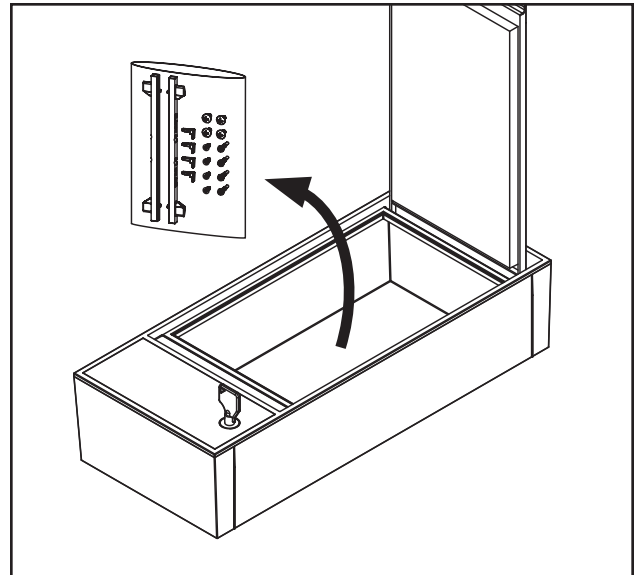
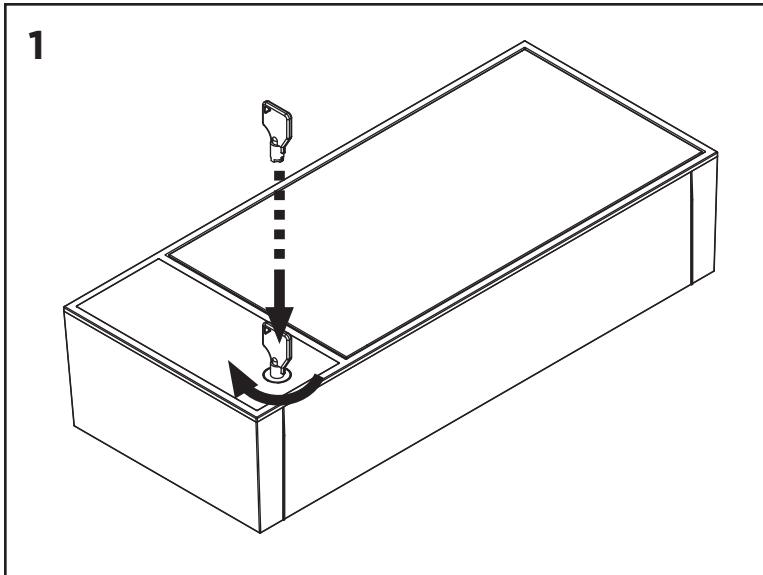
REMARQUE : Retirez la porte des armoires avant de commencer.

1. Ouvrez le boîtier de la serrure numérique à l'aide de la clé fournie et retirez le sachet de matériel.
2. Retirez deux des quatre vis de chaque côté de la tablette du boîtier de la serrure, en fonction de la profondeur de votre armoire.

## NUEVO MONTAJE: PL / M / PC / DC / AC / YC

NOTA: Retirez la porte des armoires avant de comenzar.

1. Con la llave suministrada, abra la caja de seguridad digital y extraiga la bolsa con los accesorios de montaje.
2. Extraiga dos de los cuatro tornillos de cada uno de los lados de la estantería de la caja de seguridad según la profundidad de su armario.



## NOUVELLE INSTALLATION : PL / M / PC / DC / AC / YC

3. Insérez la tablette du boîtier de serrure dans l'armoire à la hauteur souhaitée en l'alignant sur les trous des goupilles de la tablette dans le boîtier de l'armoire.

4. Fixez l'étagère du boîtier verrouillé au boîtier de l'armoire en utilisant les quatre vis #6 x 3/4 po [SS125] fournies.

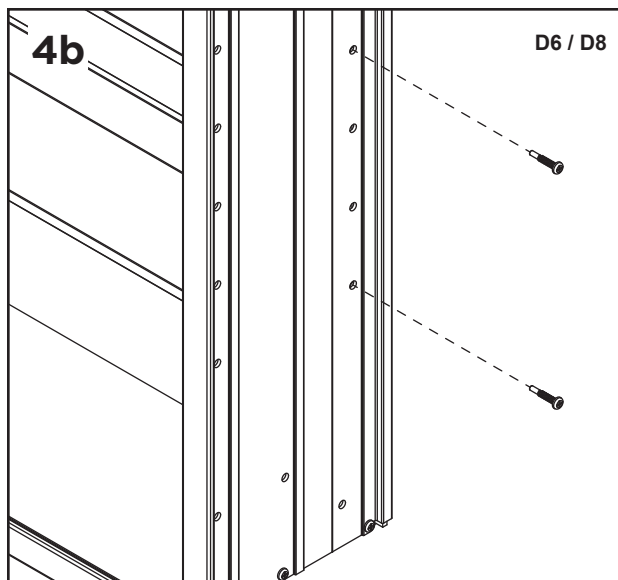
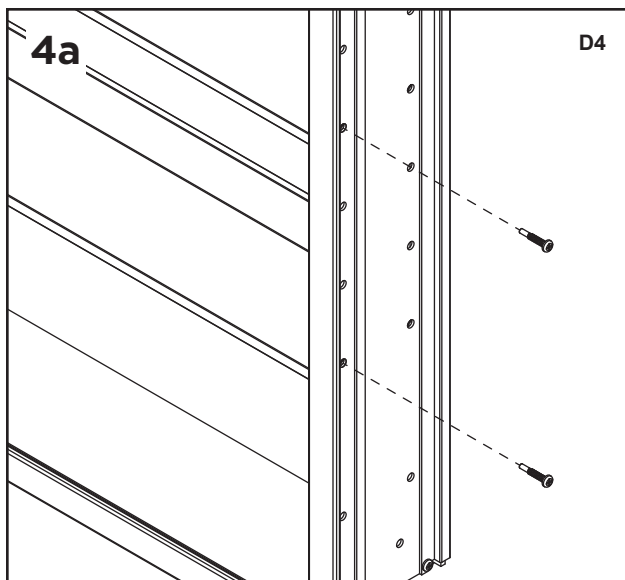
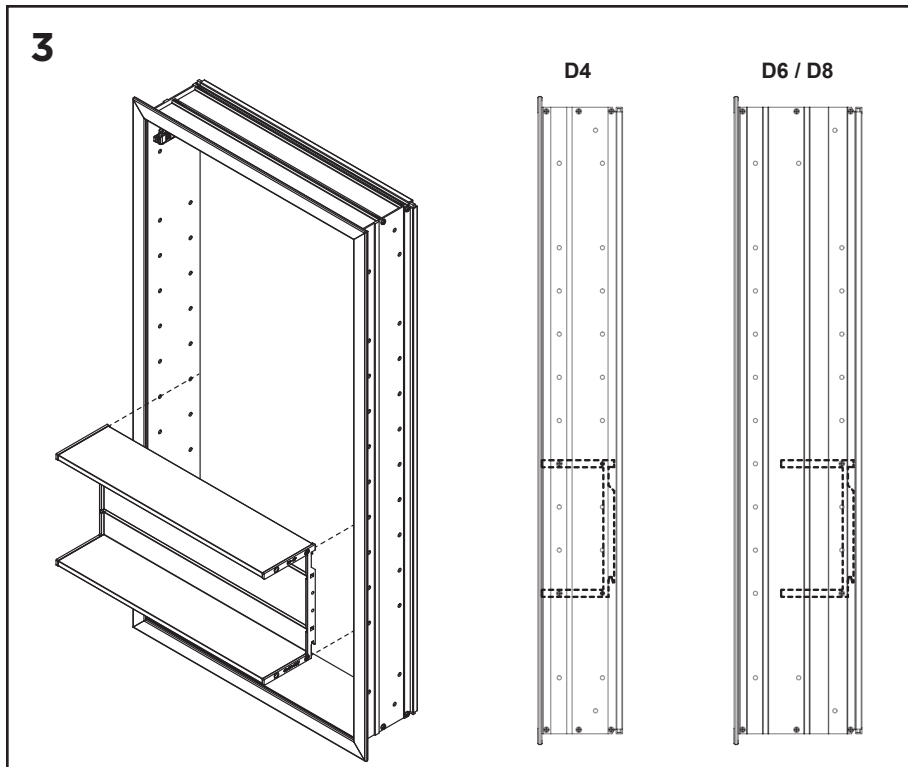
REMARQUE: Passez à la dernière section, ACHEVER L'INSTALLATION (p. 10).

## NUEVO MONTAJE: PL / M / PC / DC / AC / YC

3. Introduzca la estantería de la caja de seguridad en el armario a la altura que desee, alineándola con los orificios de los topes de la estantería que se encuentran en la caja del armario.

4. Acople la estantería de la caja de seguridad a la caja del armario utilizando los cuatro tornillos #6 x 3/4" [SS125] suministrados.

NOTA: Continúe con la sección final, FINALIZACIÓN DEL MONTAJE (pág. 10).



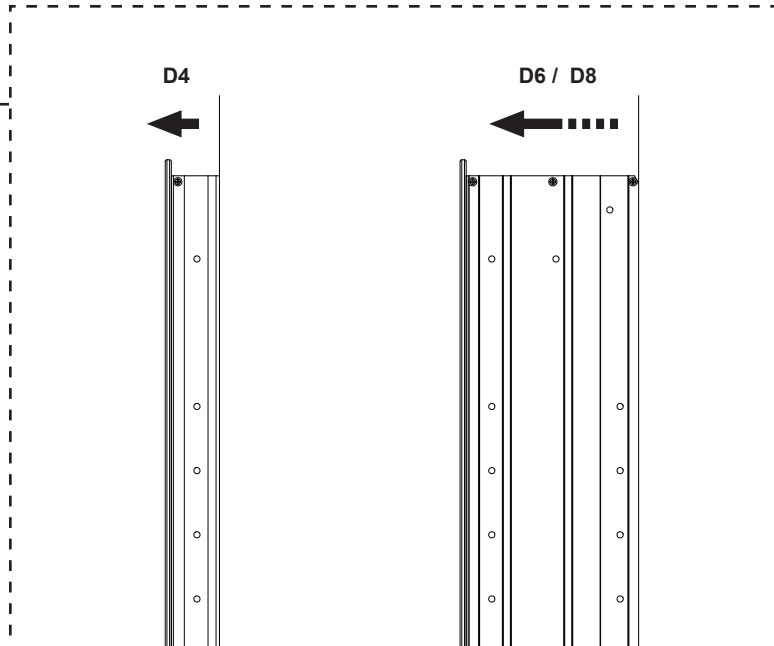
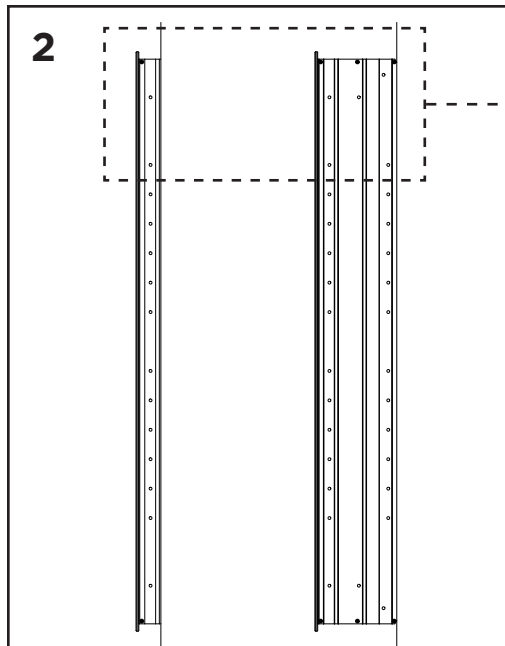
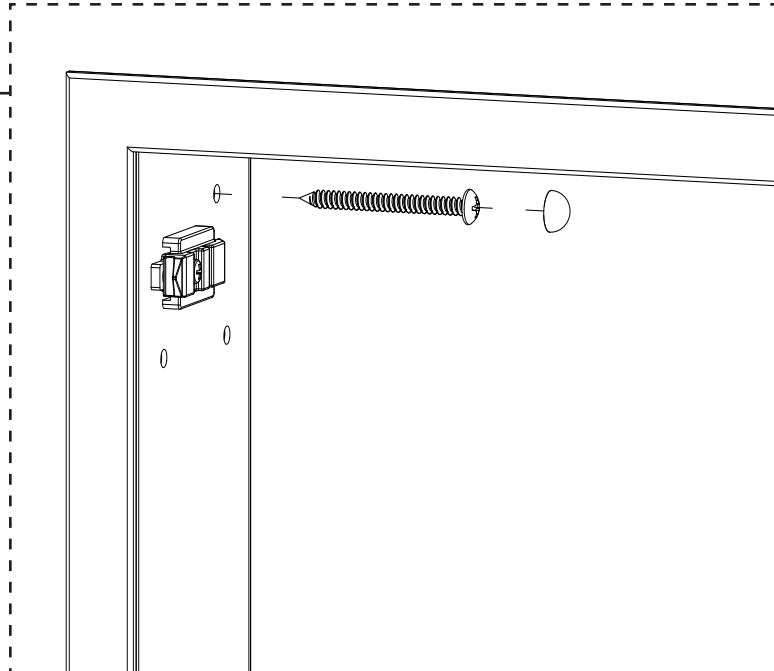
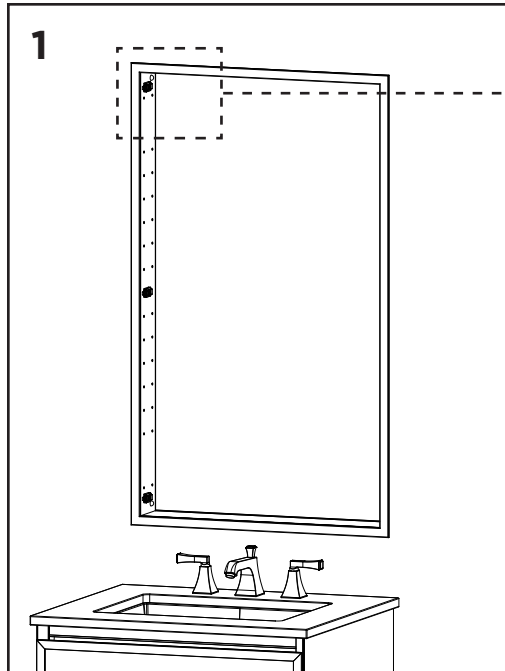
## INSTALLATION ENCASTRÉE EXISTANTE

REMARQUE : Pour les armoires avec options électriques, coupez le disjoncteur avant de commencer.

REMARQUE : Retirez la porte des armoires avant de commencer.

1. Retirez les quatre vis de montage du boîtier de l'armoire et conservez-les pour la réinstallation de l'armoire.
2. Retirez une partie de l'armoire de l'ouverture brute jusqu'à ce que les trous d'étagères prévus soient accessibles.

REMARQUE: Passez à la section précédente, NOUVELLE INSTALLATION: PL / M / PC / DC / AC / YC (p.6).



## MONTAJE EN HUECO EXISTENTE

NOTA: Para aquellos armarios que cuenten con opciones eléctricas, apague el interruptor principal antes de iniciar el proceso de montaje.

NOTA: Extraiga las puertas de los armarios antes de iniciar el proceso.

1. Extraiga los cuatro tornillos de montaje de la caja del armario y guárdelos para volver a instalar el armario.
2. Extraiga parcialmente el armario de la abertura preliminar hasta que se pueda acceder correctamente a los orificios de la estantería.

NOTA: Pase a la sección anterior, NUEVO MONTAJE: PL / M / PC / DC / AC / YC (pág. 6)

## INSTALLATION DE SURFACE EXISTANTE

REMARQUE : Pour les armoires avec options électriques, coupez le disjoncteur avant de commencer.

REMARQUE : Retirez la porte des armoires avant de commencer.

1. Retirez les quatre vis qui maintiennent le kit de chaque côté du boîtier et conservez-les pour la réinstallation du kit latéral.
2. Retirez les kits latéraux et mettez-les en lieu sûr.

REMARQUE: Passez à la section précédente, NOUVELLE INSTALLATION: PL / M / PC / DC / AC / YC (p. 6)

## MONTAJE SOBRE SUPERFICIE EXISTENTE

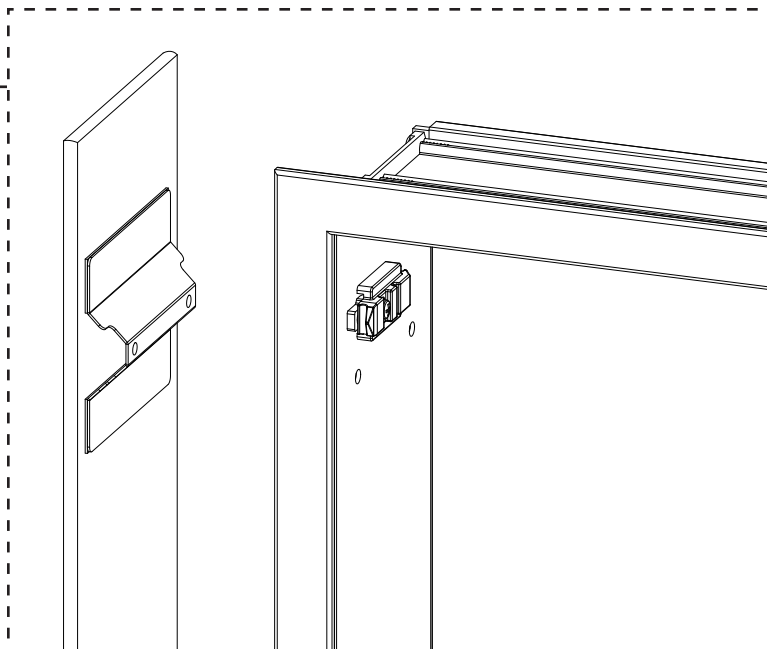
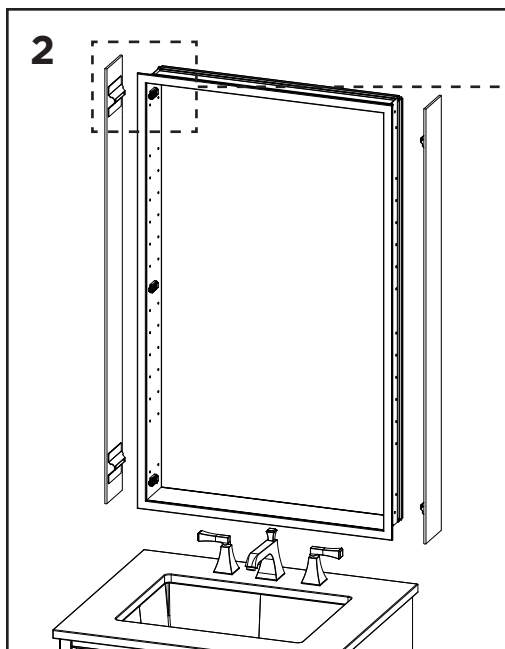
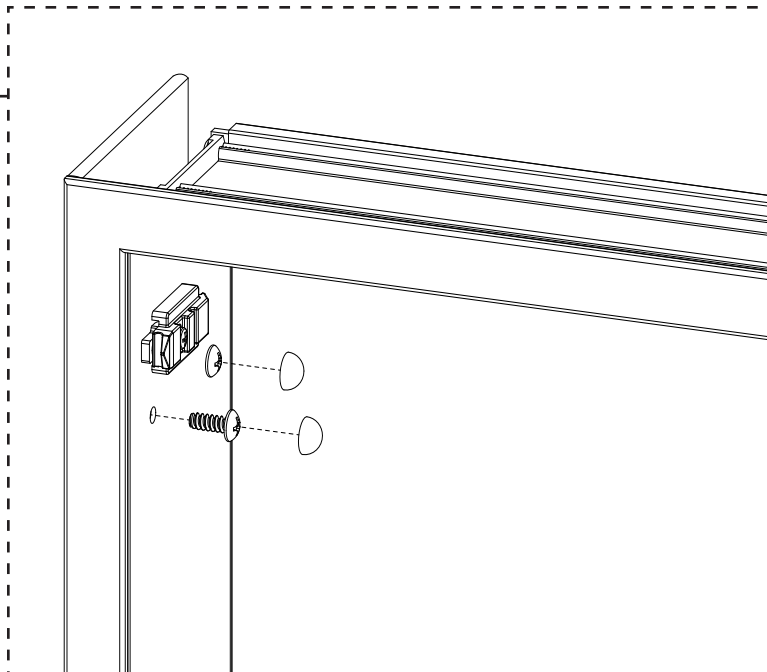
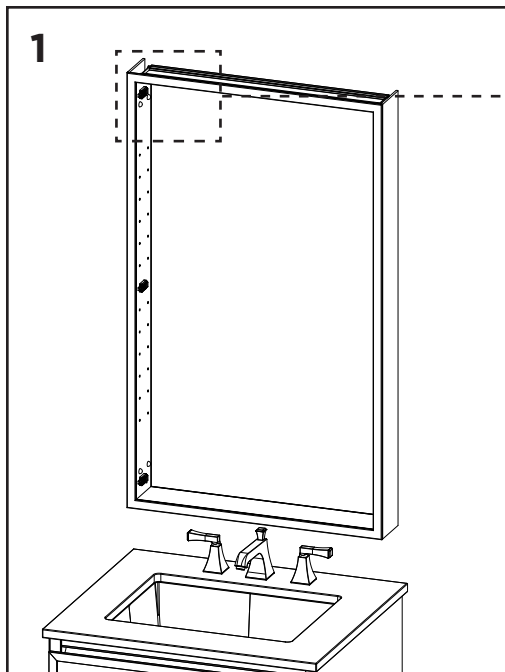
NOTA: Para aquellos armarios que cuenten con opciones eléctricas, apague el interruptor principal antes de iniciar el proceso de montaje.

NOTA: Extraiga las puertas de los armarios antes de iniciar el proceso.

1. Extraiga cuatro tornillos que sujetan cada uno de los lados del kit sobre la caja del armario y guárdelos para volver a instalar el kit de manera lateral.

2. Extraiga los kits laterales y déjelos a un lado en un lugar seguro.

NOTA: Pase a la sección anterior, NUEVO MONTAJE: PL / M / PC / DC / AC / YC (pág. 6).



## ACHEVER L'INSTALLATION

1. Une fois que l'étagère est fixée, insérez le boîtier verrouillé. Si votre étagère est plus large que le boîtier verrouillé, ajustez ce dernier à la position souhaitée, d'un côté à l'autre, à l'intérieur de l'armoire.

2. Fixez le boîtier dans l'étagère en utilisant les quatre vis #10 x 3/8 po [203-1492] fournies.

3. Procédez en suivant les instructions d'installation du meuble.

REMARQUE: Pour les installations existantes, remontez l'armoire encastrée ou réinstallez tous les kits latéraux retirés.

4. Pour installer et activer le boîtier, reportez-vous au guide de démarrage rapide [217-1382].

## FINALIZACIÓN DEL MONTAJE

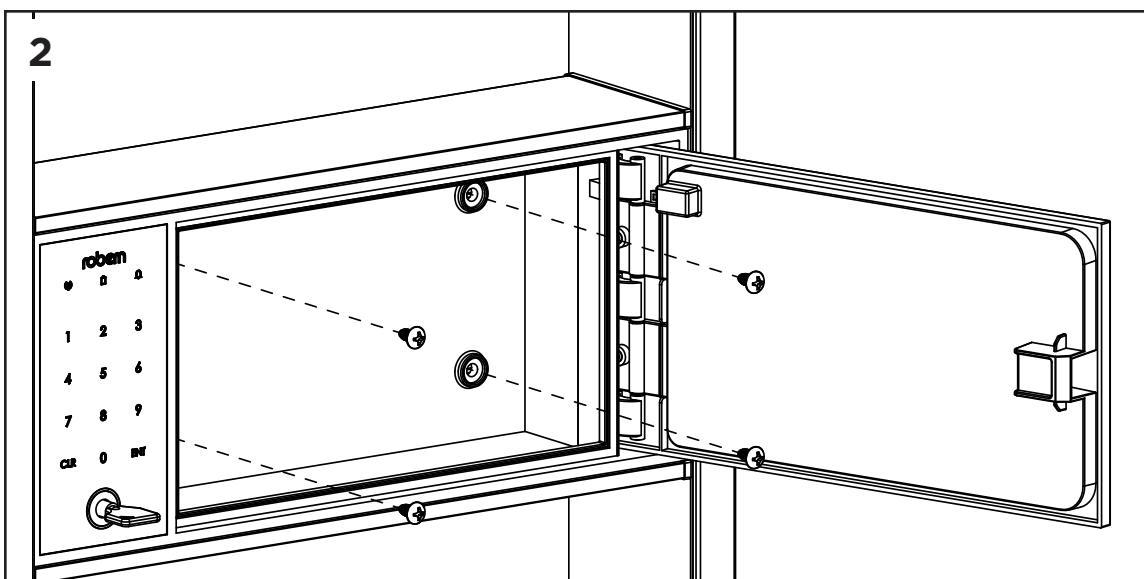
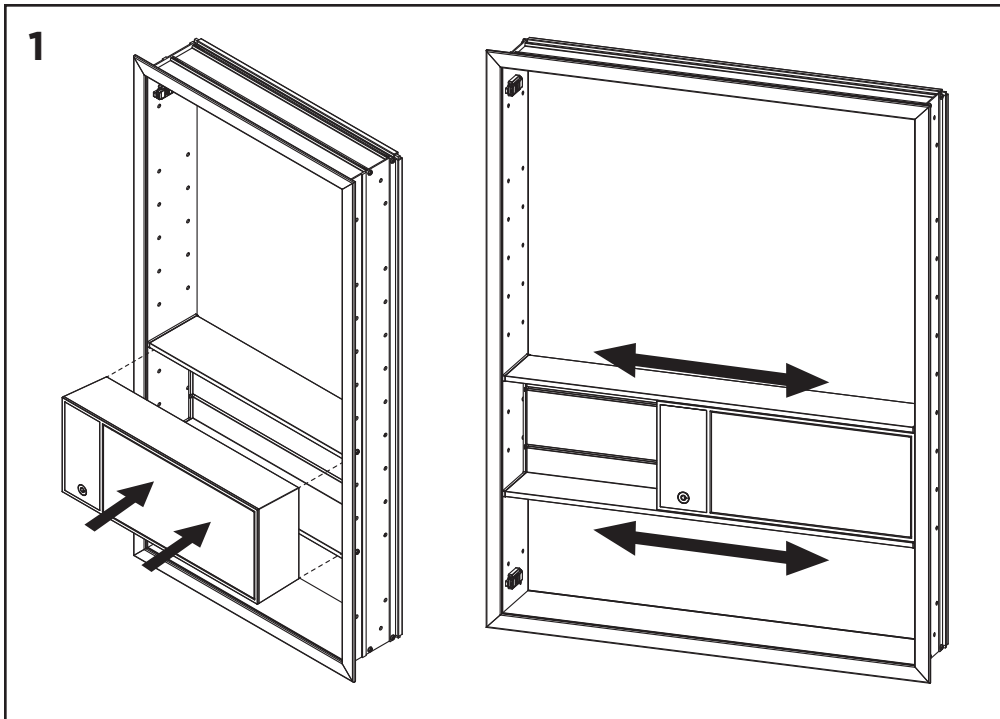
1. Una vez que la estantería esté bien instalada, introduzca la caja de seguridad. Si su estantería es más ancha que la caja de seguridad, ajuste la caja de seguridad en la posición que desee, para que quede ajustada de lado a lado dentro del armario.

2. Fije la caja de seguridad en la estantería utilizando los cuatro tornillos #10 x 3/8" [203-1492] incluidos.

3. Continúe según las instrucciones de montaje del armario.

NOTA: Para instalaciones existentes, vuelva a montar el armario empotrado o reinstale todos los kits laterales que quitó.

4. Para configurar y activar la caja de seguridad, consulte la guía de inicio rápido [217-1382].



---

## NETTOYAGE

Utilisez un chiffon humide pour la nettoyer. Les nettoyeurs à base d'ammoniac ou de vinaigre risquent d'endommager les rétroviseurs.

Une solution de 50/50 d'eau et d'alcool isopropylique est recommandée pour nettoyer le meuble de rétroviseurs.

Lors du nettoyage, vaporiser le chiffon, et non pas le meuble de le miroir, ou les surfaces avoisinantes. Ne pas utiliser de nettoyeurs abrasifs sur une partie quelconque de l'armoire de cabinets.

**Sans ammoniac / Sin amoníaco**  
**Sans vinaigre / Sin Vinagre**



---

## GARANTIE

Garantie limitée d'un an

La société Robern garantit à l'acquéreur original qu'elle réparera, remplacera ou ajustera de manière appropriée, à son gré, les produits qu'elle fabrique et faisant preuve de défauts significatives en matériaux ou en qualité de fabrication qui sont signalées à Robern par écrit dans un délai d'un (1) an suivant la date de livraison. Robern n'est pas responsable des frais d'installation. La garantie est annulée si le produit est endommagé en transit, ou si les dommages ou la défaillance sont le résultat d'une utilisation abusive ou inadéquate, d'un usage anormal, ou d'une installation défectueuse, de dommages survenus lors d'un accident, d'un entretien inapproprié, ou de toute réparation effectuée par des personnes non autorisées par Robern.

Lors de l'expiration de la période de garantie d'un an, Robern n'assumera aucune obligation ultérieure sous les termes d'une garantie quelconque, expresse ou implicite, y compris la garantie tacite de qualité marchande. La société Robern ne pourra être tenue responsable pour des dommages indirects découlant de l'utilisation ou associés à l'utilisation ou à la performance de ses produits. Certains états ne permettent pas de limites sur la durée de la garantie tacite, ni l'exclusion ou la limite des dommages particuliers, accessoires ou indirects, et, par conséquent, lesdites limites ou exclusions précitées peuvent ne pas s'appliquer à votre cas. Toute responsabilité assumée par Robern sous une garantie implicite quelconque, y compris la garantie de qualité marchande, est limitée de manière expresse aux conditions de la présente garantie. La permission de renvoyer de la marchandise sous les termes de cette garantie doit être autorisée par Robern et les frais de renvoi doivent être prépayés par l'acquéreur. Les réclamations effectuées sous cette garantie doivent être envoyées directement à votre concessionnaire.

©2020 Robern, Inc.  
Tous droits réservés

---

## LIMPIEZA

Utilice únicamente un trapo húmedo para limpiar el accesorio. Los productos de limpieza con amoníaco o vinagre pueden dañar los espejos.

Para limpiar el espejos se recomienda una solución al 50/50 de agua y alcohol isopropílico.

Al limpiar, rocíe el paño, no el espejo ni las superficies alrededor. No use limpiadores abrasivos en ninguna parte del armarios.

---

## GARANTÍA

Garantía limitada de un año

Robern garantiza al comprador original que, a su elección reparará, reemplazará, o hará los ajustes apropiados a los productos fabricados por esta compañía que se demuestre que tienen defectos significativos en material o mano de obra y que se reporten a Robern por escrito en menos de un (1) año a partir de la fecha de entrega. Robern no se hace responsable de los costos de instalación. La garantía se anula si el producto sufre daños durante el transporte, o si los daños o las fallas se deben a abuso, uso indebido, uso anormal, instalación defectuosa, daños en un accidente, mantenimiento inadecuado, o reparaciones distintas a las autorizadas por Robern. Al finalizar el año de garantía, Robern no quedará bajo ninguna obligación adicional bajo ninguna garantía, expresa o implícita, incluida la garantía implícita de comercialización. Robern no será responsable de daños emergentes que surjan del uso o del desempeño de sus productos, o en relación con ellos. Algunos estados no permiten limitaciones en cuanto a la duración de una garantía implícita o no permiten la exclusión o la limitación de daños incidentales o indirectos, por lo que es posible que estas limitaciones y exclusiones no se apliquen a su caso. Cualquier responsabilidad contra Robern bajo cualquier garantía implícita, incluida la garantía de comercialización, se limita expresamente a los términos de esta garantía. Robern debe autorizar el permiso de devolución de cualquier mercancía bajo esta garantía, y esta mercancía debe ser devuelta con porte pagado por el comprador. Las reclamaciones bajo esta garantía deben ser enviadas directamente a su distribuidor.

©2020 Robern, Inc.  
Todos los derechos reservados

---

## UTILISATION ET ENTRETIEN

Veuillez vous référer au guide de démarrage rapide du boîtier verrouillé numérique IQ [217-1382] pour les instructions d'installation et d'utilisation.

Veuillez vous munir du numéro de série et du code d'enregistrement de sécurité lorsque vous commandez des clés de remplacement.

Ces informations se trouvent sur la carte d'enregistrement et sur l'étiquette au dos de la boîte verrouillée numérique.

**REMARQUE :** Il est vivement recommandé de conserver la carte d'enregistrement dans un endroit sûr pour pouvoir la consulter ultérieurement.

---

## CONFORMITÉ

### Déclaration d'exposition aux RF

Cet équipement est conforme à l'exemption des limites d'évaluation habituelle de la section 2.5 de la norme RSS-102. Il doit être installé et utilisé à une distance minimale de 20 cm entre le radiateur et toute partie de votre corps.

### Avertissement FCC

Cet appareil est conforme à la partie 15 des règles de la FCC. Son fonctionnement est soumis aux deux conditions suivantes:

- (1) Cet appareil ne doit pas provoquer d'interférences nuisibles, et
- (2) Cet appareil doit accepter toute interférence reçue, y compris les interférences susceptibles de provoquer un fonctionnement indésirable.

**REMARQUE 1:** Cet équipement a été testé et déclaré conforme aux limites d'un appareil numérique de classe B, conformément à la partie 15 des règles de la FCC. Ces limites sont conçues pour fournir une protection raisonnable contre les interférences nuisibles dans une installation résidentielle. Cet équipement génère des utilisations et peut émettre de l'énergie de radiofréquence et, s'il n'est pas installé et utilisé conformément aux instructions, peut provoquer des interférences nuisibles aux communications radio. Cependant, il n'y a aucune garantie qu'aucune interférence ne se produira dans une installation particulière. Si cet équipement provoque des interférences nuisibles à la réception radio ou télévision, ce qui peut être déterminé en éteignant puis en rallumant l'équipement, l'utilisateur est encouragé à essayer de corriger les interférences par une ou plusieurs des mesures suivantes:

- Réorientez ou déplacez l'antenne de réception.
- Augmentez la distance entre l'équipement et le récepteur.
- Connectez l'équipement à une prise sur un circuit différent de celui auquel le récepteur est connecté.
- Consultez le revendeur ou un technicien radio / TV expérimenté pour obtenir de l'aide.

**REMARQUE 2:** Tout changement ou modification de cet appareil non expressément approuvé par la partie responsable de la conformité peut annuler le droit de l'utilisateur à utiliser l'équipement.

### Avertissement IC

L'émetteur/récepteur exempt de licence contenu dans le présent appareil est conforme aux CNR d'Innovation, Sciences et Développement économique Canada applicables aux appareils radio exempts de licence. L'exploitation est autorisée aux deux conditions suivantes:

1. L'appareil ne doit pas produire de brouillage
2. L'appareil doit accepter tout brouillage radioélectrique subi, même si le brouillage est susceptible d'en compromettre le fonctionnement.

---

## USO Y MANTENIMIENTO

Consulte la Guía de inicio rápido de la caja de seguridad digital IQ [217-1382] para obtener información sobre la configuración y uso de este accesorio.

Cuando vaya a pedir llaves de recambio, asegúrese de tener a mano el número de serie y el código de registro de seguridad.

Podrá encontrar esta información en la caja de registro y también en la etiqueta que se encuentra la parte posterior de la caja de seguridad digital.

**NOTA:** Se recomienda encarecidamente que no olvide guardar la tarjeta de registro en un lugar seguro para posibles consultas en el futuro.

---

## CONFORMIDAD

### Declaración de exposición a RF

Este equipo cumple con la exención de los límites de evaluación habituales en la sección 2.5 del estándar RSS-102. Debe instalarse y usarse a una distancia mínima de 20 cm entre el radiador y cualquier parte de su cuerpo.

### Advertencia de la FCC

Este dispositivo cumple con la parte 15 de las Reglas de la FCC. Su funcionamiento está sujeto a las siguientes dos condiciones:

- (1) Este dispositivo no puede causar interferencia dañina, y
- (2) Este dispositivo debe aceptar cualquier interferencia recibida, incluida la interferencia que pueda causar un funcionamiento no deseado.

**NOTA 1:** Este equipo ha sido probado y cumple con los límites para un dispositivo digital de Clase B, de conformidad con la Parte 15 de las Reglas de la FCC. Estos límites están diseñados para proporcionar una protección razonable contra interferencias perjudiciales en una instalación residencial. Este equipo genera usos y puede emitir energía de radiofrecuencia y, si no se instala y utiliza de acuerdo con las instrucciones, puede causar interferencias perjudiciales en las comunicaciones de radio. Sin embargo, no hay garantía de que no se produzcan interferencias en una instalación en particular. Si este equipo causa interferencias perjudiciales en la recepción de radio o televisión, lo que puede determinarse apagando el equipo y volviéndolo a encender, se recomienda al usuario que intente corregir la interferencia mediante una o más de las siguientes medidas:

- Reorientar o reubicar la antena receptora.
- Aumente la distancia entre el equipo y el receptor.
- Conecte el equipo a una toma de corriente en un circuito diferente al que está conectado el receptor.
- Consulte al distribuidor o a un técnico experimentado de radio / TV para obtener ayuda.

**NOTA 2:** Cualquier cambio o modificación a este dispositivo que no esté expresamente aprobado por la parte responsable del cumplimiento puede anular el derecho del usuario a usar el equipo.

### Advertencia IC

El transceptor exento de licencia contenido en este dispositivo cumple con las NRC de Innovación, Ciencia y Desarrollo Económico de Canadá aplicables a los dispositivos de radio exentos de licencia. La operación está autorizada bajo las siguientes dos condiciones:

1. El dispositivo no puede causar interferencia
2. El dispositivo debe aceptar cualquier interferencia de radio recibida, incluso si la interferencia puede poner en peligro su funcionamiento.