

## Installation Instructions

### Tub/Shower Mixer Installation



U.3500L U.3501X U.3505L U.3505LS U.3506X U.3510L U.3511X U.3515L U.3515LS  
U.3516X U.3520L U.3521X U.3525L U.3526X U.3530L U.3535L U.6338

Congratulations on the purchase of your Perrin & Rowe Bathroom Mixer.  
Correctly installed and with sensible care, it will give many years of trouble free service.

#### Before you start...please read this leaflet.

We recommend employing the services of a registered plumber.

#### PREPARATION

- ◆ Flush the plumbing system before installing the mixer faucet. This is to avoid plumbing residues clogging the unit, or possibly damaging the ceramic valves. This is especially important where extensive plumbing work has been carried out.
- ◆ The Hot supply should be on the left when viewed from the front of the fitting.

#### CHECK LIST

- ! Temperature of the hot water supply does not exceed 185°F !
- ! Recommended minimum water supply pressure - 15 psi !
- ! Recommended maximum water supply pressure - 75 psi !
- ! Ideal performance obtained with equal hot & cold pressures !

#### ASSEMBLY - Refer to Fig 1,2 & 3.

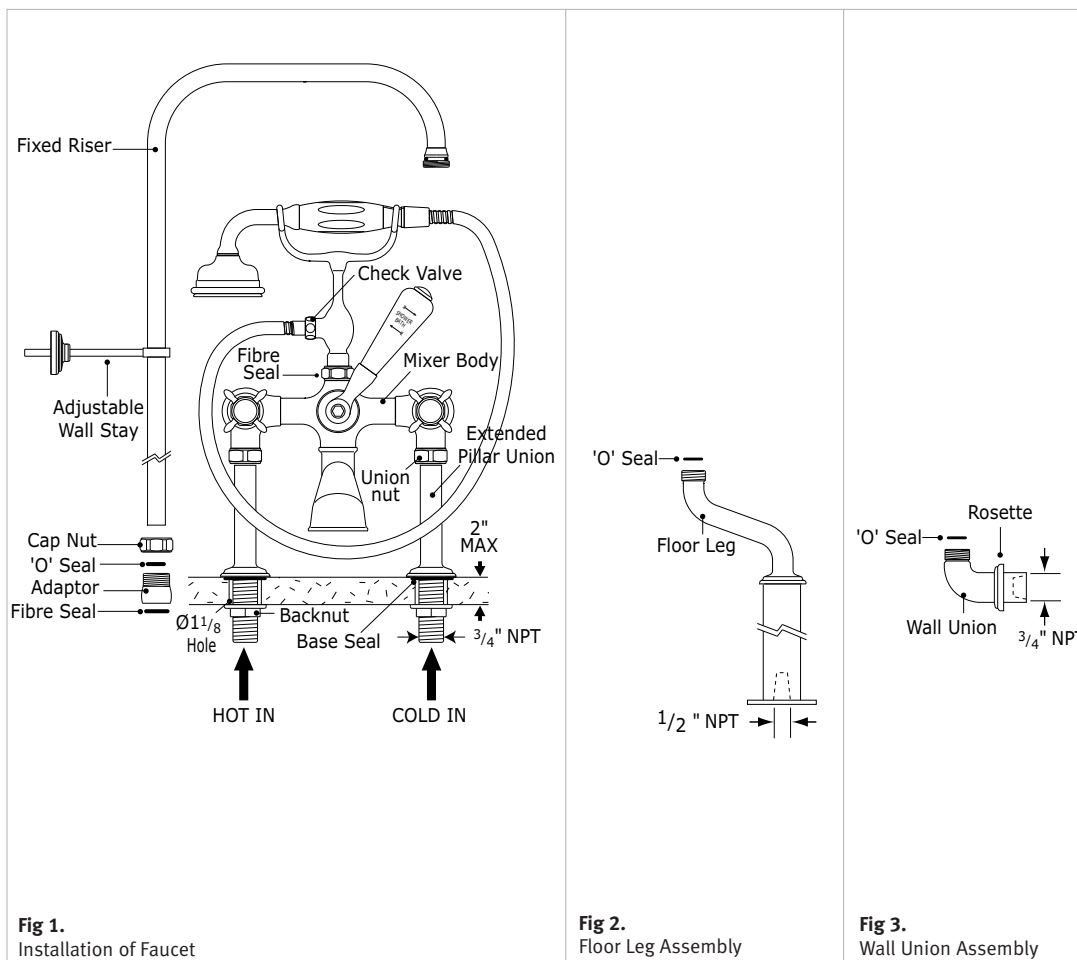
- ◆ **Extended Pillar Unions**  
Remove backnut and fibre washer from union. From top pass shank through hole in surface ensuring that base seal remains in position. Replace backnut and fibre washer onto shank and tighten by hand only so that unions can still rotate.
- ◆ **Wall Unions**  
Fit two 3/4" NPT female fittings into wall at 7 7/8" centres. Fit a 3/4" NPT male shank (not supplied) into the fitting so that no more than 5/8" of thread is protruding from the wall. Apply thread sealing material to shank and screw union onto shank. Turn union to required position and Slide rosette up to wall surface. A silicone seal can be applied between the wall and rosette if required.
- ◆ **Floor Legs**  
See installation guide supplied with floor legs.
- ◆ **Mixer Body**  
Place the O rings seals (supplied with unions) onto the exposed end of the unions and locate in groove. Position the mixer body onto unions and tighten the union nut by hand. Adjust the position of the unions until the mixer body is in the required position and full tighten union nuts taking care not to damage the finish. Fully tighten backnuts on

shanks of pillar unions. Connect hot and cold supplies.

- ◆ **Handshower & Cradle**  
Screw cradle nut fully onto mixer body ensuring that fibre washer is in position between cradle and body. Outlet for handshower can be positioned facing left or right. Screw tapered end of handshower hose onto handshower and screw nut end onto cradle. Place handshower into cradle.
- ◆ **Handshower with Angled Outlet**  
Screw adaptor or angled outlet fully onto mixer body ensuring that fibre washer is in position between adaptor/angled outlet and body. Screw tapered end of handshower hose onto handshower and screw nut end onto adaptor/angled outlet. Place handshower into parking bracket (not supplied).
- ◆ **Fixed Riser**  
Screw adaptor fully onto mixer body, using a 9/16" AF hexagonal key, ensuring that fibre washer is in position between adaptor and body. Measure the distance from the centre of the adaptor to the wall and Cut wall stay rod to suit. Slide wall stay onto riser ensuring that the locking screw does not damage the riser. Slide cap nut and O rings seal onto riser. Place end of riser into adaptor and tighten cap nut by hand. Fit wall stay to wall approximately 39" above mixer body. Fix riser in position by tightening locking screw using the hexagon key supplied. (Do not over tighten locking screw). Fully tighten cap nut taking care not to damage the finish.
- ◆ **Overhead Shower Rose**  
Perrin and Rowe shower roses screw directly onto our fixed risers. To ensure they don't slowly drain after use, the installation needs to be completely air tight, and the rose should be level.

## Installation Instructions

### Tub/Shower Mixer Installation/Operation



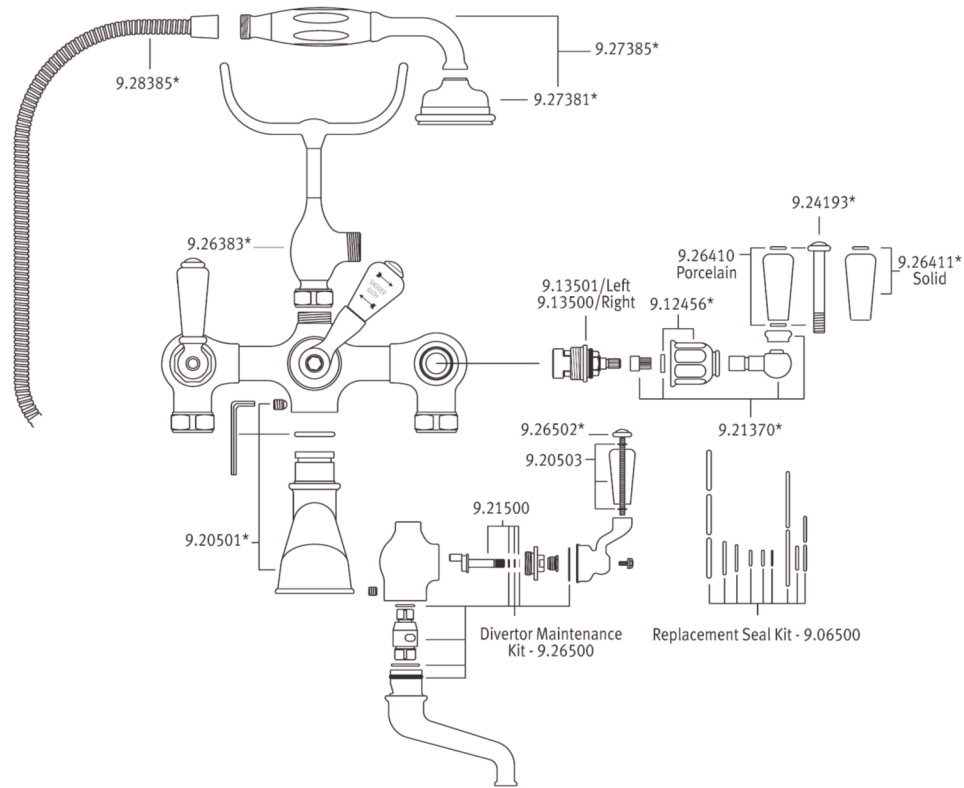
#### BEFORE USE

- Carefully check the installation for leaks.
- If further building work is to be carried out in the vicinity, cover the mixer faucet with a plastic bag to avoid damaging the finish.
- Please ensure that the installation complies with the local plumbing codes.

#### OPERATION

Ceramic disc valves are fitted as standard to this faucet. Flow from FULLY OFF to FULLY ON is achieved by rotating the handles a quarter turn.

## Installation Instructions



**Fig 2.**  
Spare Parts - \*Where indicated specify color

### CARE & MAINTENANCE

Occasional cleaning with warm soapy water, followed by a polish with a soft cloth is all that is required to keep the plated finish in good condition.

**Do not use proprietary abrasive liquids, powders, or pads to clean the faucet. You will damage the plated finish and void your guarantee.**

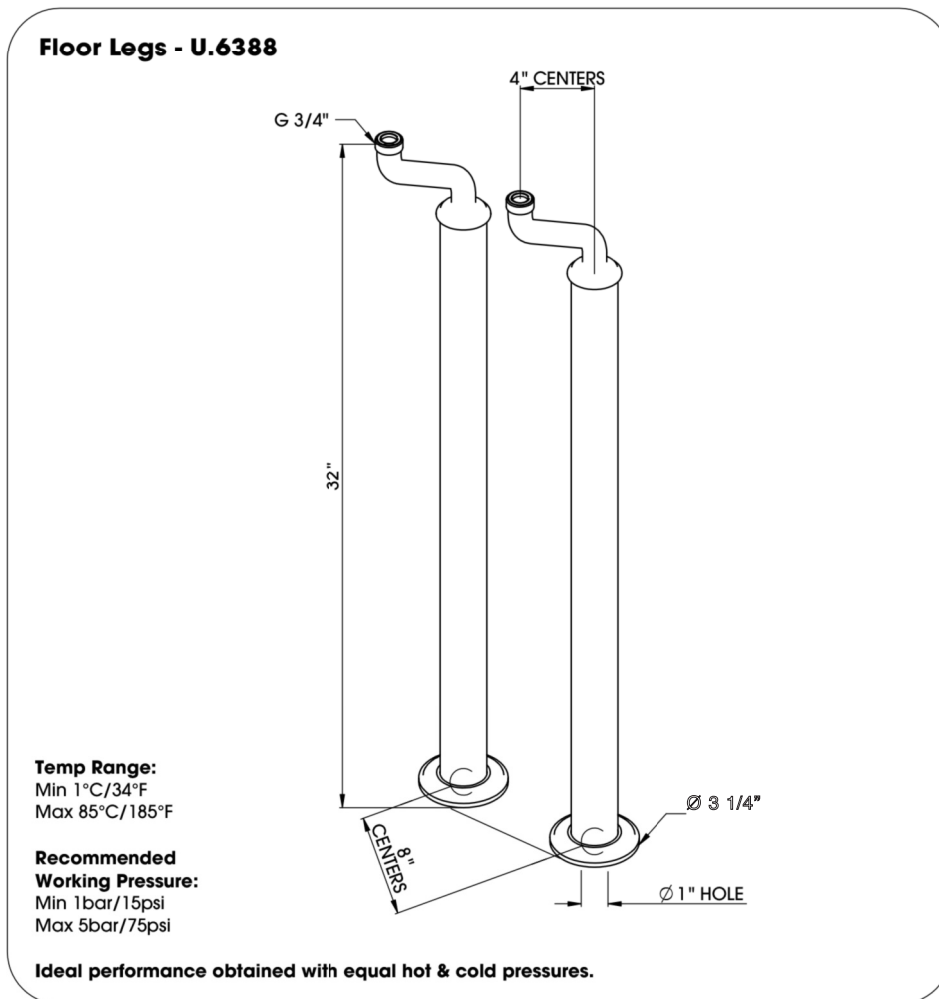
### SPARE PARTS AND SERVICE

3 Parker  
Irvine  
CA 92618  
(714) 557-1933

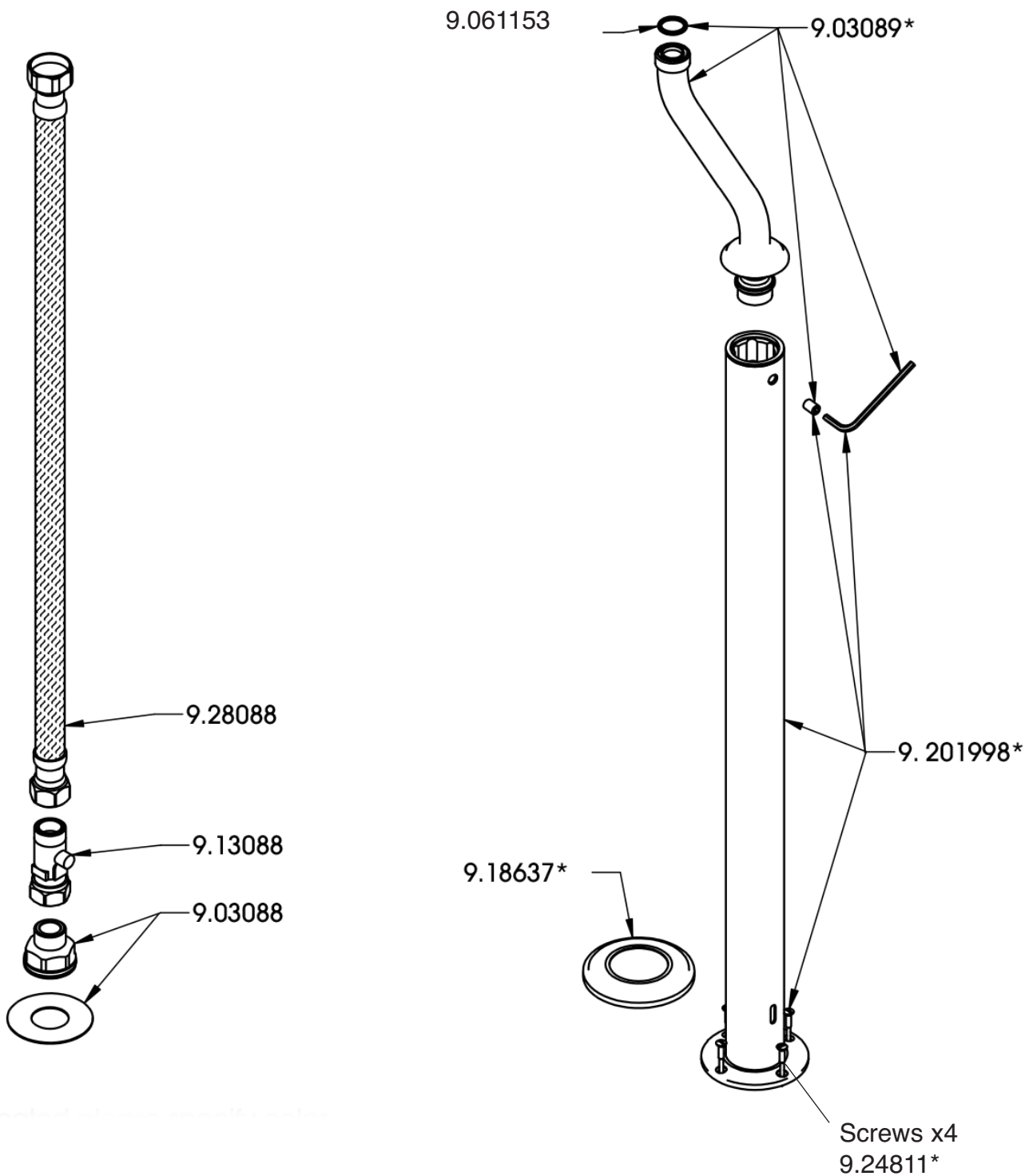
## U.6388 Installation Guide Page 1



### Floor Legs For Tub/Shower Mixer



## U.6388 Installation Guide Page 2



## U.6388 Installation Guide Page 3

### The Bathroom Collection Installation & User Guide

*Congratulations on the purchase of your Perrin & Rowe Product. Correctly installed and with sensible care, this product will give you many years of trouble free service.*

#### IMPORTANT INFORMATION

**Before you proceed... We recommend you engage the services of a registered plumber to install this product.**

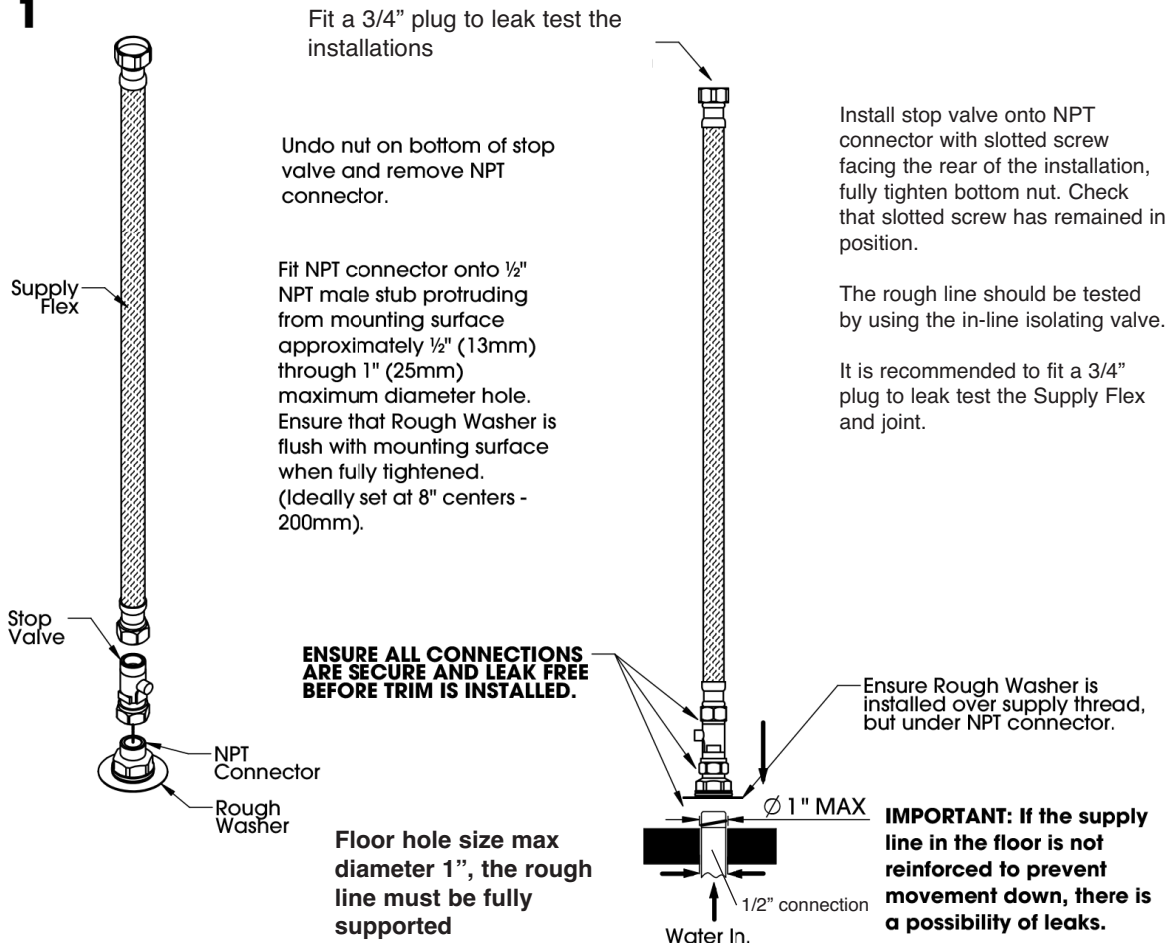
**For ease of possible future servicing, we also recommend the fitting of conveniently placed isolating valves.**

**In addition to the guide below it is essential that the written information overleaf is carefully read and understood.**

#### Preparation Check Box for Installer

- Flush the plumbing system before installing the Bathroom product.     The hot supply should be on the left when viewed from the front of the fitting.     Ensure the mounting surface is level.

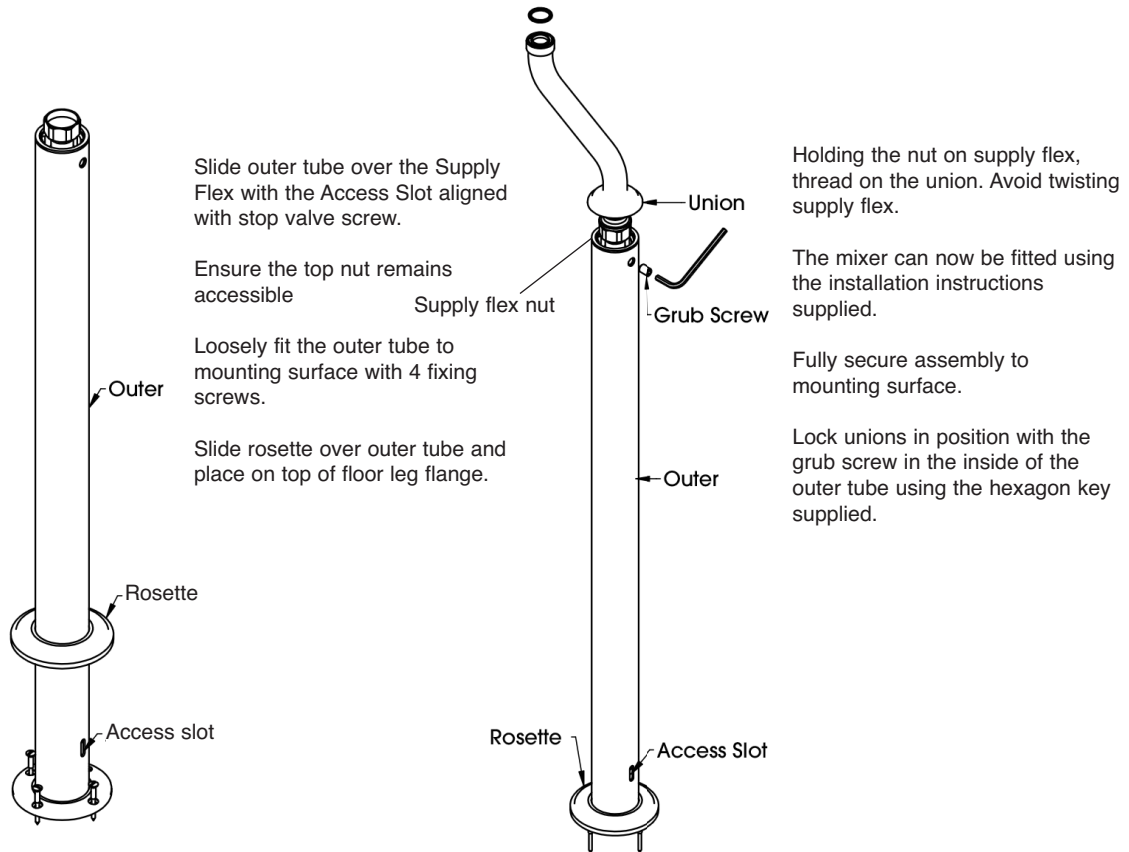
**1**



Consult your local ROHL showroom for additional information and specifications. For complete warranty details and a list of showrooms, go to [www.rohlhome.com](http://www.rohlhome.com).

## U.6388 Installation Guide Page 4

**2**



### BEFORE USE

- Carefully check the installation for leaks, internal leaks will be noticeable through the Access Slot.
- If further building work is to be carried out in the vicinity, cover the tap to avoid damaging the finish.
- Please ensure that the installation complies with local plumbing codes.

### CARE & MAINTENANCE

Wipe down after use to avoid water spotting and mineral build up.

Occasional cleaning with warm soapy water, followed by a polish with a soft cloth is all that is required to keep the plated finish in good condition.

**Do not use proprietary abrasive liquids, powders, or pads to clean the shower. Do not use any products with ammonia bleach or limescale remover. You will damage the plated finish and void your guarantee.**