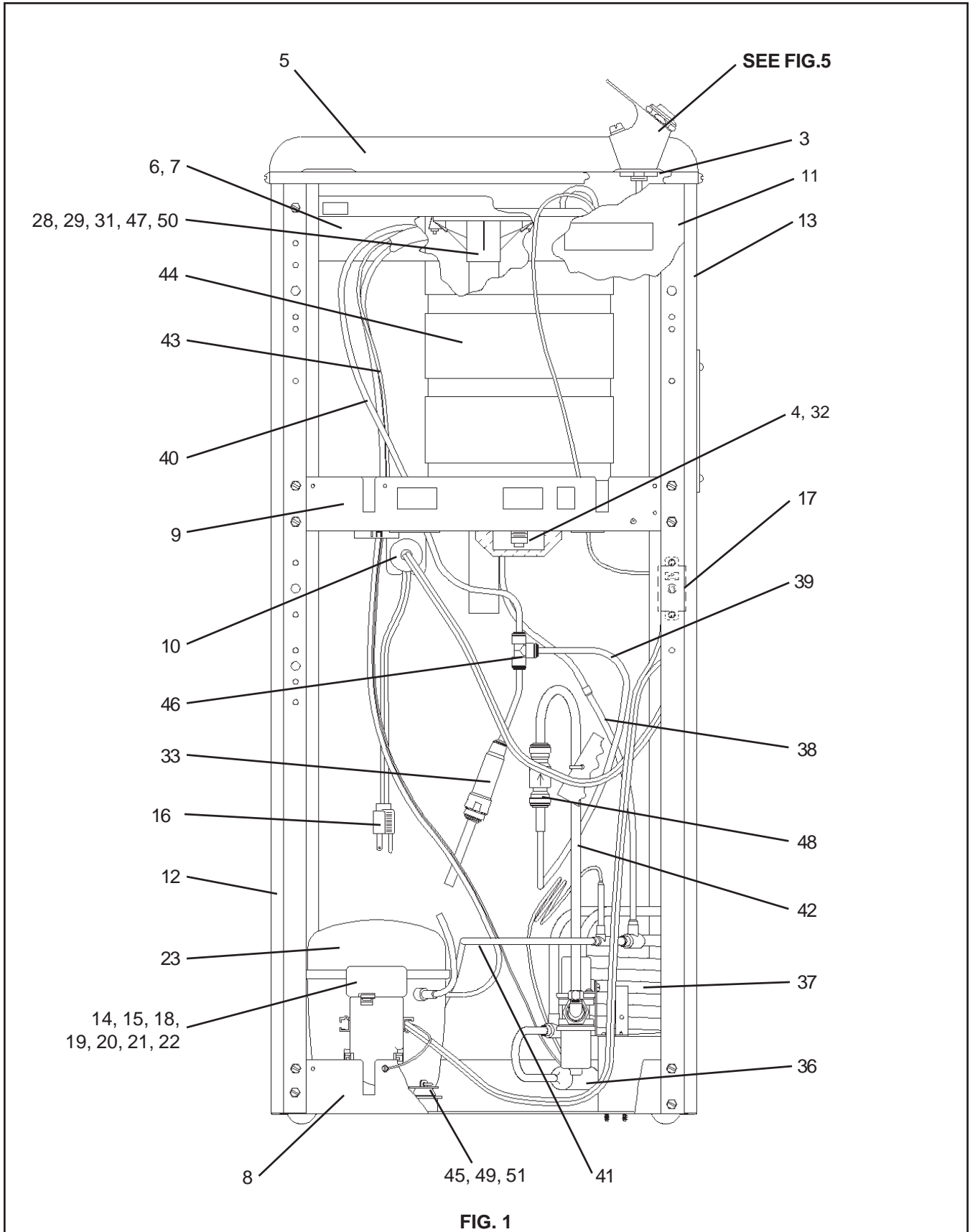
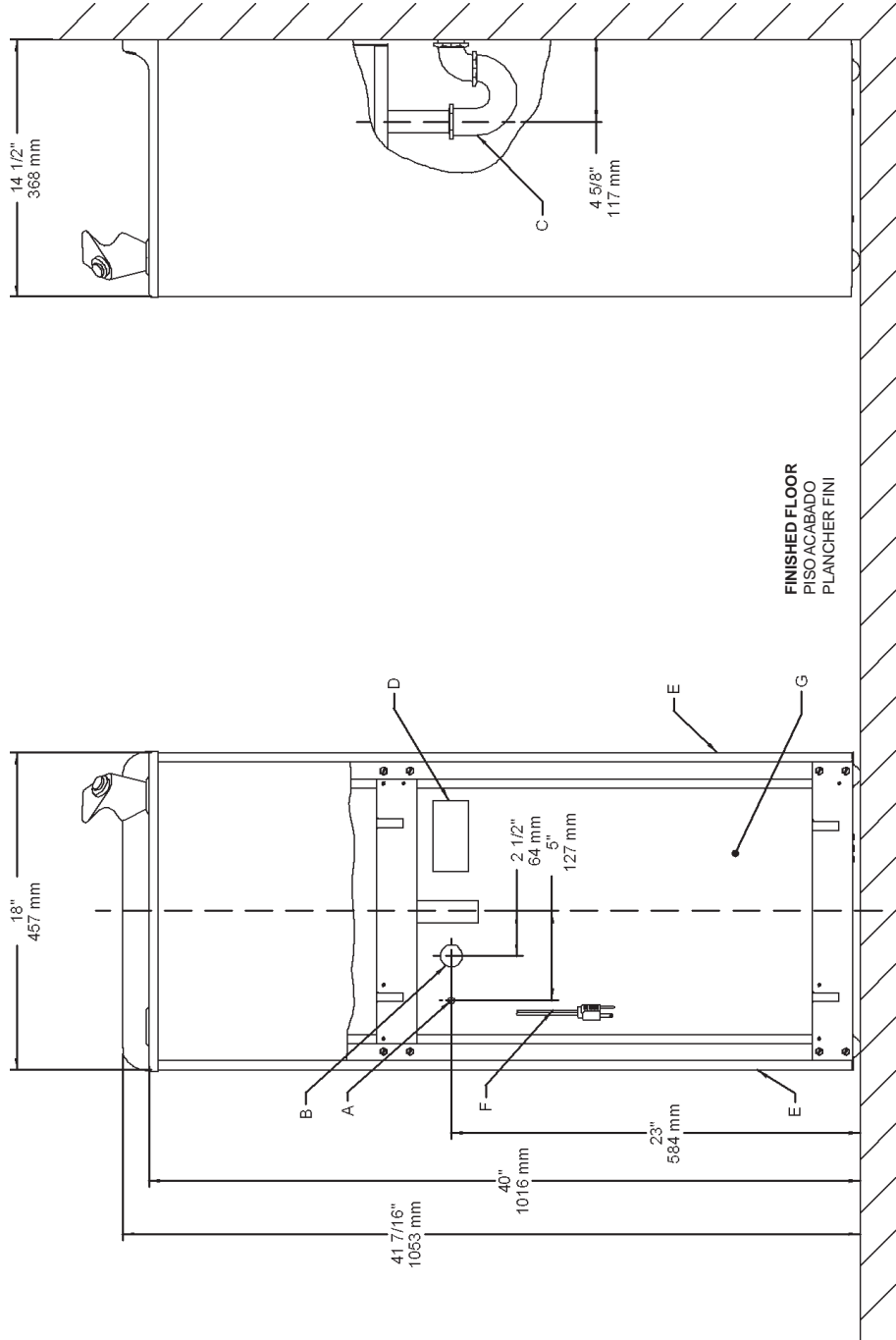


# Installation/Care/Use Manual

USES HFC-134A REFRIGERANT



**FIG. 1**



**FIG. 2**

**E = INSURE PROPER VENTILATION BY MAINTAINING 4" (102mm) (MIN.) CLEARANCE FROM CABINET LOUVERS TO WALL.**  
 ASEGURE UNA VENTILACION ADECUADA MANTENIENDO UN ESPACIO E 4" (102mm) (MIN.) DE HOLGURA ENTRE LA REJILLA DE VENTILACION DEL MUEBLE Y LA PARED  
 ASSUREZ-VOUS UNE BONNE VENTILATION EN GARDANT 4" (102mm) (MIN.) ENTRE LES EVENTS DE L'ENCEINTE ET LE MUR.  
**F = POWER CORD 4 FEET (1219mm) LONG**  
 CABLE ELECTRICO DE 4 PIE (1219mm), DE LARGO CORDON D'ALIMENTATION 4' (1219mm)  
**G = PLUMBING ROUGH-IN CAN BE LOCATED ANYWHERE WITHIN THIS AREA.**  
 SE PUEDE COLOCAR EL DESBASTE DE LA TUBERIA EN CUALQUIER LUGAR DENTRO DE ESTA AREA.  
 ON PEUT PLACER LA TUYAUTERIE DANS CETTE REGION.

**A = RECOMMENDED WATER SUPPLY LOCATION 3/8" O.D. UNPLATED COPPER TUBE CONNECT STUB 1-1/2 IN. (38mm) OUT FROM WALL SHUT OFF BY OTHERS**  
 SE RECOMIENDA UBICAR EL TUBO CORTO DE CONEXION AL TUBO DE COBRE SIN CHAPAR DE 3/8" DE DIAM. EXT. A 1-1/2" (38mm) FUERA DE LA LAVO DE PASO EN LA PARED COLOCADA POR TERCEROS.  
 EMPLACEMENT RECOMMANDÉ D'ALIMENTATION EN EAU PAR TUBE EN CUIVRE NON PLAQUÉ DE 3/8" P.O. (9.5 mm) D.E. CONNECTANT UNE TUYAUTERIE DE 1-1/2" P.O. (38mm) DEPUIS LE ROBINET D'ARRÊT FOURNI PAR D'AUTRES.  
**B = RECOMMENDED LOCATION FOR WASTE OUTLET 1-1/4" O.D. DRAIN**  
 UBICACION RECOMENDADA PARA EL DRENAJE DE SALIDA DE AGUA, DE 1 1/4" DE DIAMETRO.  
**C = 1-1/4" TRAP NOT FURNISHED\*\***  
 EMPLOCACION RECOMENDADA POUR LE DRAIN DE D.E. 1-1/4" DE SORTIE D'EAU.  
 PURGADOR DE 1 1/4" NO PROPORCIONADO\*\*  
**D = ELECTRICAL OUTLET LOCATION**  
 UBICACION DE LA TOMA DE ELECTRICIDAD  
 EMPLACEMENT DE LA PRISE DE COURANT

**CONDENSER WATER VALVE ADJUSTMENT**

The condenser water valve is factory preset for a condenser water outlet temperature of 95° to 105° F. If actual temperature varies greatly from this, readjust water flow rate at the valve using the following procedures.

**1. START UP COMPRESSOR**

This can be accomplished by depressing the cooler push button (See Fig. 5 - Item 24). Keep water running during the entire readjustment procedure.

**2. ADJUSTMENT CONDENSER WATER VALVE**

Adjust valve by rotating adjustment stem. Rotating stem clockwise will decrease water flow. Counterclockwise rotation will increase water flow. Increasing water flow will result in a lower condenser outlet temperature, while decreasing water flow will result in a higher outlet temperature. Proper adjustment is attained when condenser outlet temperature is 95° to 105° F.

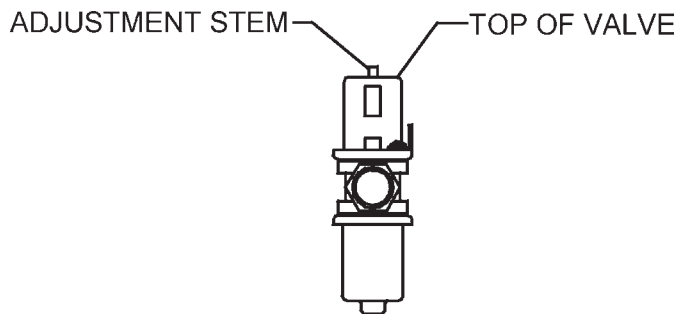


FIG. 3

**STREAM HEIGHT ADJUSTMENT:** Stream height is factory set at 45-50 PSI. If supply pressure varies greatly from this, remove items 24 and 25 (See figure 5) from bubbler assembly and adjust the screw on the regulator (Item 35). Clockwise adjustment will raise stream height and counterclockwise will lower the stream height. A stream height of 1-1/2" (38mm) is recommended.

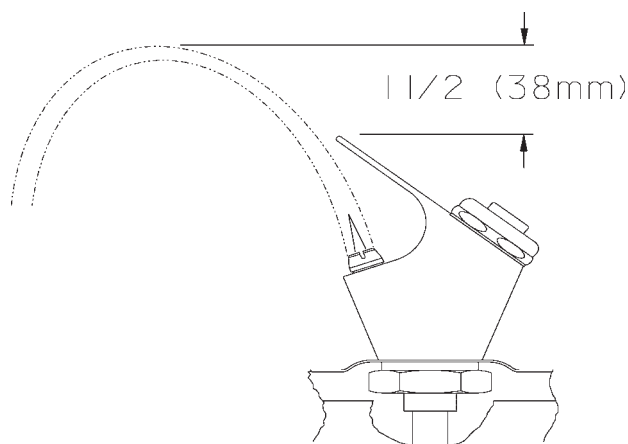


FIG. 4

PARTS LIST 115V

| ITEM NO. | PART NO.     | DESCRIPTION                 |
|----------|--------------|-----------------------------|
| 1        | 10031C       | Nut-Retaining               |
| 2        | 100322740650 | Gasket-Black                |
| 3        | 15009C       | Nipple-Bubbler              |
| 4        | 70772C       | Drain Plug                  |
| 5        | 27317C       | Basin                       |
| 6        | 28270C       | Brace-Cross Rear            |
| 7        | 28271C       | Brace-Cross Front           |
| 8        | 28272C       | Baseplate                   |
| 9        | 28273C       | Shelf                       |
| 10       | 28631C       | Bracket-Strain Relief       |
| 11       | 28277C       | Panel-Front                 |
| 12       | 28278C       | Panel-LH Side               |
| 13       | 27279C       | Panel-RH Side               |
| 14       | 35843C       | Relay                       |
| 15       | 35840C       | Overload                    |
| 16       | 36219C       | Cord-Power                  |
| 17       | 35892C       | Cold Control                |
| 18       | 35768C       | Cover-Relay                 |
| 19       | 35845C       | Cap-Capacitor               |
| 20       | 35874C       | Clip-Capacitor              |
| 21       | 35844C       | Capacitor                   |
| 22       | 36095C       | Bracket-Capacitor           |
| 23       | 36114C       | Compressor                  |
| 24       | 40048C       | Button                      |
| 25       | 40089C       | Nut-Cover                   |
| 26       | 40322C       | Orifice Assy                |
| 27       | 45675C       | Bubbler Body                |
| 28       | 45718C       | Assy-Tailpipe               |
| 29       | 50005C       | Gasket-Tailpipe             |
| 30       | 45703C       | Bubbler Assy                |
| 31       | 50368C       | Drain Receptor              |
| 32       | 70767C       | Evaporator Retaining Clip   |
| 33       | 55996C       | Strainer                    |
| 34       | 60291C       | Screen-SS                   |
| 35       | 61313C       | Regulator-Red Spring        |
| 36       | 66203C       | Drier                       |
| 37       | 66674C       | Assy-WC Condenser           |
| 38       | 66677C       | Tube-WC Condenser           |
| 39       | 66693C       | Tube-Tee To Check Vlv       |
| 40       | 66679C       | Tube-CU 1/4 x 30            |
| 41       | 66680C       | Tube-CU 1/4 x 22            |
| 42       | 66681C       | Tube-Water Vlv To Check Vlv |
| 43       | 66682C       | Heat Exchanger              |
| 44       | 66685C       | Assy-Evaporator             |
| 45       | 70421C       | Washer-Flat                 |
| 46       | 70682C       | Fitting-1/4 Tee             |
| 47       | 70750C       | Hose Clamp                  |
| 48       | 75494C       | Check Valve                 |
| 49       | 75602C       | Cotter Pin                  |
| 50       | 75603C       | Nut Hex SS                  |
| 51       | 50144C       | Grommet-Compressor Mtg.     |

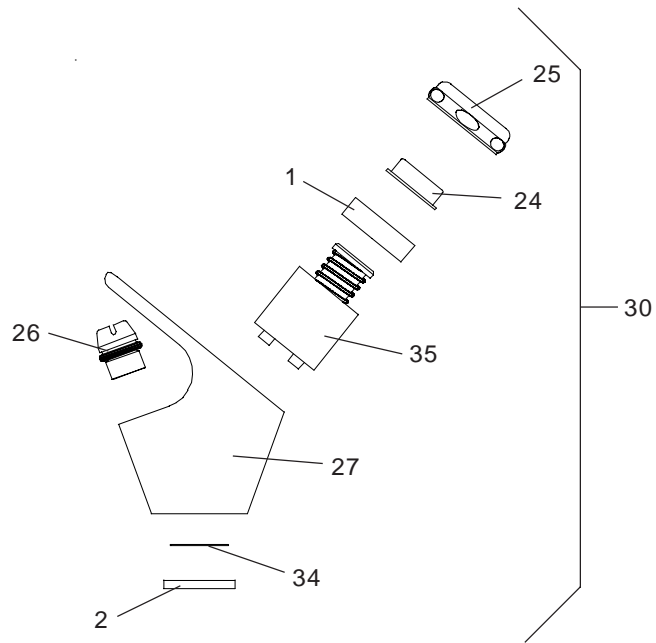


FIG. 5

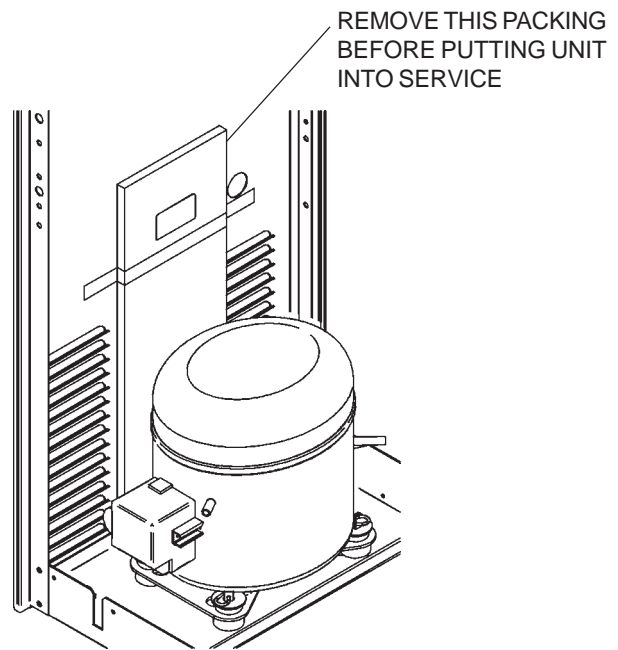


FIG. 6

\*INCLUDES RELAY, OVERLOAD & CAPACITOR. IF UNDER WARRANTY, REPLACE WITH SAME COMPRESSOR USED IN ORIGINAL ASSEMBLY.

NOTE: All correspondence pertaining to any of the above water coolers or orders for repair parts MUST include Model No. and Serial No. of cooler, name and part number of replacement part.