

FreezeAlarm Dialer FA-700



Installation and Operations Manual

Protected Home
A Division of Control Products, Inc.
1724 Lake Drive West
Chanhausen, MN 55317

Document No. 42420079A

Table of contents

Cautions and warnings	4	Testing for a specific alarm condition .	14
Description	5	Ring count timer	14
Physical description	5	Calling the FA-700 during an alarm event	14
General description	6	An in-phone line answering machine/voice mail with the FA-700	15
LEDS	6	How this works	15
Operation	6	Calling the FA-700 during an alarm event	15
FA-700 normal operation	6	Canceling an alarm call-out while listening to an alarm message	15
How the FA-700 receives power	6	Canceling an alarm call-out by calling the FA-700	16
Alarm operation	6	Canceling an alarm call-out with an answer machine/voice mail device on the same phone line	16
How the FA-700 handles an alarm condition	7	Remote status check	16
DIP switch functions and settings.....	7	Troubleshooting	17
Initial setup	8	Technical information	18
Connecting to AC power	8	Technical specification	18
Power up sequence	8	FCC statement	18
Batteries	9	Plug and jack use	18
Battery handling and safety	9	Ring equivalence number (REN)	18
Battery life	9	Telephone network interferences	18
Installing the batteries	10	Contact us	19
Connecting to the standard phone line.....	10	Technical support	19
Connecting the FA-700 and another device to the same phone jack.....	10	Warranty	20
Phone services and your FA-700	11	Warrantor: Dealer, Distributor, Retailer, Manufacturer	20
DSL and other digital phone services .	11	Warranty and remedy	20
Calls using a calling card or pager phone number	12	Causes for termination of this warranty	20
Creating pauses	12	Warrantors' liability	20
Calling a long distance phone number	12	Procedures for obtaining performance for warranty	21
Programming (entering a phone number)	12	To return a product to Protected Home	21
Before you enter a phone number	12	How to request an RGA number	21
Entering a phone number	12		
Changing the call-to phone number	13		
Installation considerations	13		
FA-700 assembled	13		
Phone test	14		
Testing your FA-700	14		

Trademark

All trademarks and registered trademarks are the property of their respective owners. The FA-700 FreezeAlarm is a trademark of Protected Home. Touch Tone® is a registered trademark of AT&T.

Copyright

© 2010 Protected Home; All rights reserved. No part of this work may be reproduced or used in any form or by any means—graphic, electronic, or mechanical—without written permission from Protected Home.

Purchase date, date code and serial number

For easy future reference during technical support and service, it is recommended that you write your purchase date, date code, and serial number of the device in the spaces below. The “date code” can be found on the label affixed to the bottom of the FA-700.

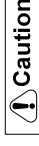
PURCHASE DATE:	
DATE CODE:	
SERIAL NUMBER:	

Important

Every effort has been made to ensure the information in this Installation and Operations manual is complete, accurate, and up-to-date. Protected Home and its vendors assume no responsibility for the result of errors in this manual, nor can it guarantee that changes in equipment and components made by other manufacturers, in reference to this manual, will not affect the operation or intended use of the FA-700.

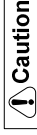
Cautions and warnings

Cautions indicate the possibility of poor equipment performance or potential damage to the equipment. Warnings indicate the possibility of injury to persons. The symbols shown below identify Cautions and Warnings:



Caution

Cautions and warnings appear here and may appear throughout this manual where appropriate. Failure to read and understand the information identified by these symbols could result in poor equipment performance, equipment damage, or injury to persons.



Caution

- Do not install the FA-700 in a confined space, such as a bookcase or in a cabinet, in direct sunlight, or where it might get exposed to water. Failure to observe this caution could result in poor performance or damage to the FA-700.
- Any changes or modifications to this equipment not expressed in this manual could cause poor performance or damage to the FA-700 and will void warranty.
- The use of any accessory not recommended for use with the FA-700 could lead to poor performance or damage to the FA-700.
- Use ONLY the AC power adapter sent with the FA-700. Use of other AC power adapters could result in damage to the FA-700.
- Do not install the FA-700 in high dust and debris areas. Failure to observe this caution could result in damage to the FA-700.
- Do not install the FA-700 in an area with chemical fumes or corrosive vapors. Failure to observe this caution could result in damage to the FA-700.



Warning

- Do not touch the barrel connector end of the AC power adapter with wet hands when plugged into AC power. Failure to observe this warning could result in an electrical shock.
- Do not throw batteries into a fire. Failure to observe this warning could result in an explosion.
- Do not install or connect the FA-700 to power or phone line during a lightning storm. Failure to observe this warning could result in an electrical shock.

Description

Physical description

Figure 1 identifies the parts of the FA-700.

Figure 1: FA-700 Parts List

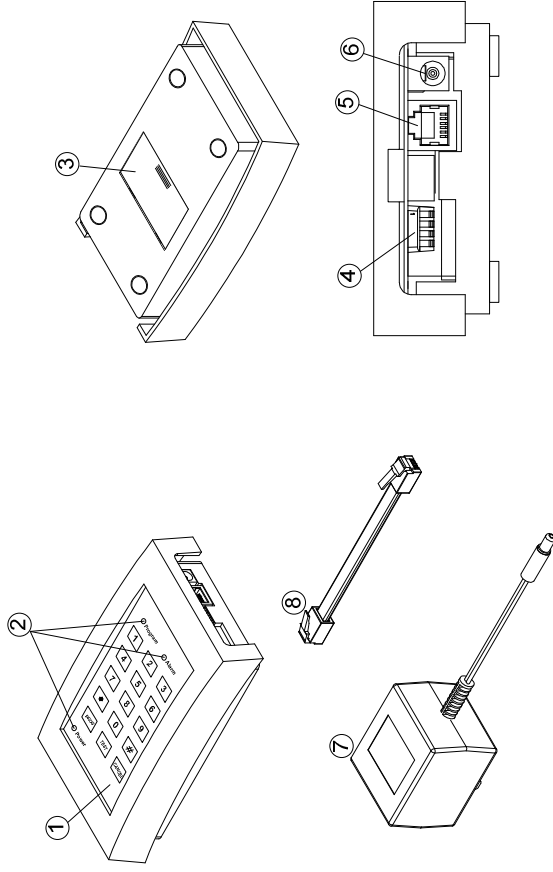


Table 1: FA-700 Parts and Purpose

Part	Purpose
1. Key Pad	Used to enter the call-to phone number, activate a phone test, and cancel an alarm.
2. LEDs (3)	Power, Program, and Alarm present operational status of the FA-700. LEDs do not function when operating on backup battery power.
3. Battery Compartment	Accommodates two AA batteries for backup power during an AC power failure.
4. DIP Switches	These switches dictate how the FA-700 will respond to alarm conditions.
5. Phone Jack	RJ-11 phone jack is used to connect the FA-700 to a standard phone line.
6. Power Jack	Connects to the barrel connector of the AC power adapter to provide 6 volts DC power to operate the FA-700.
7. AC Power Adapter	Converts AC power to 6 volts DC power to operate the FA-700.
8. Phone Cord	Connects the FA-700 to the wall phone jack, length 7ft (2.1m).

General description

The FA-700 monitors your home for a variety of alarm conditions. When an alarm event occurs, the FA-700 calls the programmed phone number for the following alarms:

- Temperature drops below 45°F (7°C) or temperature rises above 85°F (34°C) *DIP switch (selectable)*
- FA-700 low battery condition (*backup AA batteries*)

When a problem occurs at the monitored location, the FA-700 will start calling the programmed phone number over a standard phone line and describe (*in English*) the current alarm(s). The FA-700 will continue calling until the alarm call-out is canceled.

LEDs

The FA-700 has three LEDs: Power, Program, and Alarm located on its front panel. These LEDs present operating status of the FA-700. Table 2 explains the operational states of the three LEDs.

Table 2: LED Operational States

LEDs	Operational States
Power	<ul style="list-style-type: none"> • ON green when the FA-700 is plugged into the AC power adapter • OFF when operating in battery mode to preserve power
Program	<ul style="list-style-type: none"> • FLASHES red with a press of the PROGRAM key • ON red (<i>not flashing</i>) while programming phone number. • OFF in normal operation mode • OFF when AC power fails to preserve back-up battery power
Alarm	<ul style="list-style-type: none"> • ON red when in alarm mode • OFF when in normal operation mode • OFF when AC power fails to preserve back-up battery power

Operation

FA-700 normal operation

In normal operations mode, the FA-700:

- Monitors the ambient temperature thru an on-board temperature sensor.
- Monitors the AA backup batteries for low power.

How the FA-700 receives power

The FA-700 receives power from a 6-volt AC power adapter, which comes with the FA-700. Two AA batteries (*not included*) supply back-up power to the FA-700 during an AC power failure.

Alarm operation

The FA-700 will monitor and send a factory-recorded voice message to the entered phone number for the following alarms:

- If the temperature falls below 45°F (7°C) or rises above 85°F (34°C) (*DIP switch selectable*)

- If the unit encounters a low battery condition

How the FA-700 handles an alarm condition

Stage	Description
A.	When an alarm occurs, the alarm LED lights up (<i>if not an AC power failure</i>).
B.	The FA-700 starts calling the programmed phone number attempting to deliver an in progress alarm voice message. If the FA-700 receives a busy signal or no answer after 10 rings, it will immediately hang up.
C.	The FA-700 will continue calling the programmed phone number, every 15 or 60 minutes (<i>DIP switch selectable</i>) until a called party answers.
D.	When the called party answers (<i>person or answering machine</i>), the FA-700 will deliver its factory pre-recorded alarm message, identifying the specific alarm condition(s).
E.	The FA-700 will continue calling until the following action is taken: <ul style="list-style-type: none"> • Locally, press the CANCEL key on the key pad. • Remotely, over the phone, press the number "1" key and then the "#" key on the key pad anytime during the alarm message.
F.	Once the alarm call-out is canceled, the FA-700 will do one of two things: <ul style="list-style-type: none"> • If the alarm is still active, the FA-700 allows you to call to hear the current alarm condition. • If the alarm condition has been corrected, the FA-700 will not respond to the incoming call.
G.	When you cancel an alarm call-out, and correct the cause of the alarm, the alarm LED will go out, and the unit will reset to normal operation automatically.

DIP switch functions and settings

The FA-700 has a 4-position DIP switch. The switch settings determine how the FA-700 will respond to specific alarm conditions. Figure 2 shows the DIP switch and Table 3 explains the functions of each switch. Turn the FA-700 upside down as shown in Figure 2 for proper DIP switch orientation.

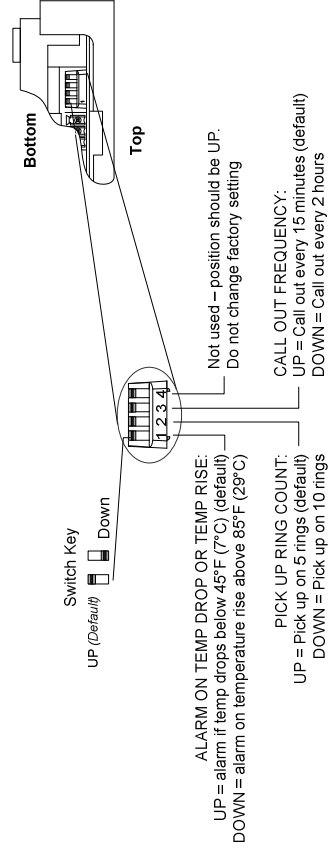


Figure 2: DIP Switches

Note: Use a ballpoint pen or similar small object to set the DIP switches.

Table 3: DIP switch settings and functions

Switch	Function (<i>switch in UP position is the default</i>)
1	Temperature low or high: <ul style="list-style-type: none"> • UP, when the monitored environment temp falls below 45°F (7.2°C) an alarm message is sent. • DOWN, when the monitored environment temp rises above 85°F (29.4°C) an alarm message is sent.
2	Pick-up ring count when calling your FA-700 to cancel an alarm: <ul style="list-style-type: none"> • UP, "5" rings before the FA-700 will answer. • DOWN, "10" rings before the FA-700 will answer. If pick-up ring count is similar to an answering machine pick up, or how many rings you must wait before the machine responds.
3	Monitors call out frequency: <ul style="list-style-type: none"> • UP, calls out every 15 minutes. • DOWN, calls out every 2 hours. When the monitor goes into alarm mode, it will begin calling the programmed phone number. If the alarm condition is not canceled, it will call again every 15 or 60 minutes until the alarm is canceled.
4	Do Not Use Default position: OFF

Initial setup

Connecting to AC power



- Do not touch the barrel connector end of the AC power adapter with wet hands when plugged into AC power. Failure to observe this warning could result in an electrical shock.
- Do not install or connect the FA-700 to power or phone lines during a lightning storm. Failure to observe this warning could result in an electrical shock.

Power up sequence

Upon power up, the FA-700 LEDs will do the following:

- The Power, Program, and Alarm LEDs will light for a few seconds, then the Program and Alarm LEDs will turn OFF
- The Power LED will remain ON

Note: A surge protector is recommended, but not provided. You can purchase a surge protector from Protected Home or from a local computer or hardware store.

To connect AC power to the FA-700 through the AC power adapter, follow the number sequence shown in Figure 3.

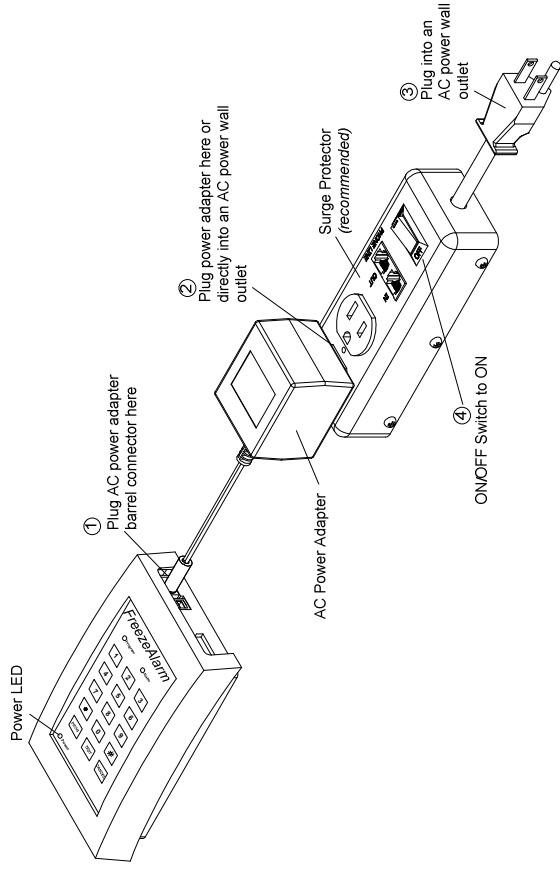


Figure 3: Connecting the AC Power Adapter

Batteries

Battery handling and safety



Warning
Do not throw batteries into a fire. Failure to observe this warning could result in an explosion.

Note: REMOVE the batteries when the FA-700 is not in service.

Battery life

If the back-up battery voltage drops below 2.35 volts, a low battery alarm will be sent, even when the unit is powered by the AC power adapter. The FA-700 will call the programmed phone number and issue a low battery alarm message. If the unit is operating on battery power only (*after an AC power failure*), the alarm call-out will continue until battery power drops to approximately 1.9 volts. Typically, most good alkaline batteries should provide approximately 12 hours of continuous power.

Note: If the low battery alarm was due to an extended AC power failure, it is recommended that you replace the batteries. Also, a false low battery alarm can occur if the AA batteries have not been installed and AC power is connected to the FA-700.

Important

You CANNOT program the call-to phone number when the FA-700 is running only on battery power.

Note: The FA-700 uses two AA batteries for backup power.

Installing the batteries

Note: To avoid a false low battery alarm, please connect the AC power adapter to the FA-700 and the wall outlet before inserting batteries.

To install the batteries, follow the Steps shown in Figure 4.

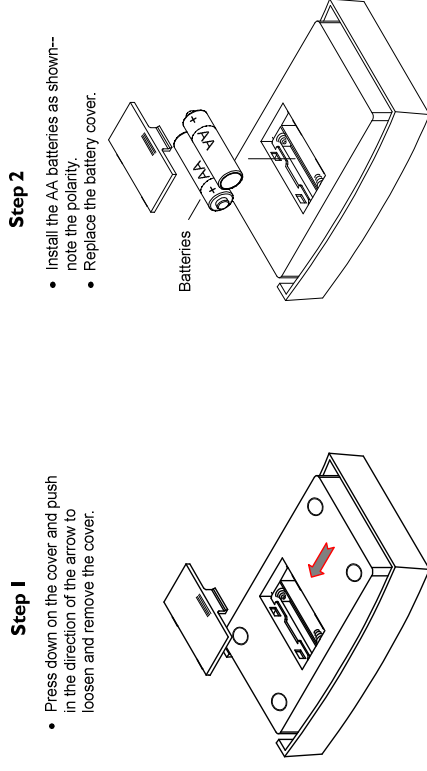


Figure 4: Battery Installation Connections

Connecting to the standard phone line

To connect the FA-700 to a phone line, do the following:

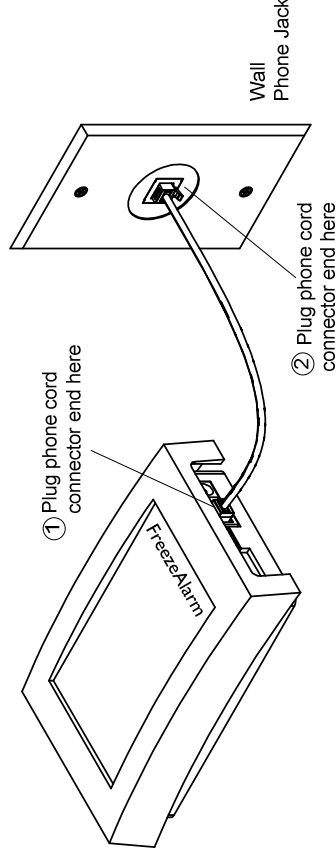


Figure 5: FA-700 Connected to Phone Line

Connecting the FA-700 and another device to the same phone jack

If you need to connect the FA-700 and some other device, such as a telephone, to the same wall phone jack, simply use a phone jack splitter (*not provided*). To use a splitter, do the following:

Step	Action
3.	Plug the line splitter into the wall jack as shown in Figure 6.
4.	Plug one phone cord into one jack on the line splitter, as shown in Figure 6.
5.	Plug the second phone cord into the other jack on the line splitter.
6.	Plug the other end of the one phone cord into the FA-700.
7.	Plug the other end of the remaining phone cord into the phone or other device.

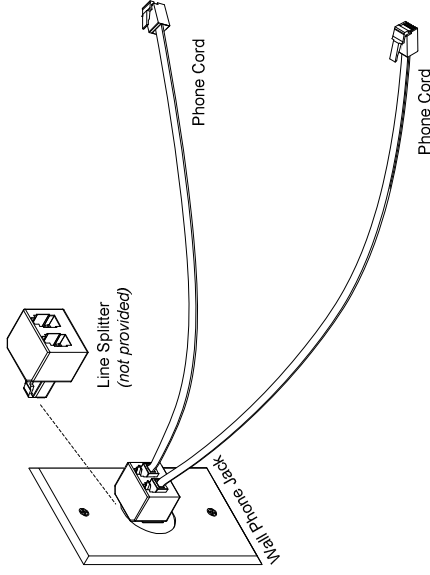


Figure 6: Phone Line Splitter

Note: Both units will operate from the same jack independently without cross interference. Line Splitters can be purchased at most hardware and electronic stores.

Phone services and your FA-700

DSL and other digital phone services

Please note that the FA-700 is designed and certified by the FCC to operate on a standard telephone line, provided by your local telephone company. DSL, Cable, or Digital phone service may work with the appropriate in-line filters. If you have questions or problems using one of those types of phone services, contact that specific phone service provider for assistance.

Note: The FA-700 dials out using touch tone dialing only.

Important

During power failures, many alternative phone services such as DSL, Digital and Cable provided phone service DO NOT WORK. Those phone services require that power be on at the location for the phone to operate. The FA-700 will NOT be able to call out if the power is out when using these phone services. If you have a standard telephone line, power is supplied to this line by the telephone company and is usually not affected when power goes out at the monitored location.

Calls using a calling card or pager phone number

When using a calling card or pager system, you often need to include pauses to ensure that enough time is allotted to dial the phone number. To get a sense for how much time that may be needed, call the preferred calling card or pager to gain an understanding of how that system works. Often times, the calling card or pager system, may announce “enter your calling card number followed by the pound (#) key.” Make sure to include all necessary key presses as you enter the number. Also, while the card or pager system is talking (*number of seconds*), you will need to enter pauses for that time to allow the system adequate time to accept your telephone number.

Creating pauses

You can add pauses to your telephone number as you enter it into the FA-700 by pressing the STAR (*) key two times, which represents a 2-second pause. If you need to enter a 6-second pause, press the STAR (*) key six times.

Note: Always press the STAR (*) key twice (*in multiples of 2*) to create an effective pause; otherwise, a single press of the STAR key will be literally translated as part of the dialed phone number.

Calling a long distance phone number

Long distance calling: make sure you enter the phone number exactly as you would when dialing a long distance call yourself (“1” and *area code if needed*). If dialing internationally, make sure you have the correct country codes and follow proper international dialing rules. Check with your phone company for assistance to determine the correct number.

Programming (entering a phone number)

You can program one phone number into the FA-700 (*60 digits*), which it uses to communicate alarm messages.

Before you enter a phone number

Important

- DO NOT enter phone numbers of emergency services (*fire, police or ambulance*) into the FA-700.
- DO NOT forget the area code and then enter the phone number exactly as you would when making a personal phone call.
- Long distance dialing: enter “1,” the area code if required, and then the phone number. It is critical that you run a system test to validate the call-to number. For proper testing, it is recommended that a person at the call-to location confirms receiving the call.

Note: You cannot enter a phone number when the FA-700 is running only on battery power.

Entering a phone number

Note: The phone number is stored in non-volatile memory (*permanently stored in the FA-700 regardless of power failures or long-term storage*).

To enter the phone number into the FA-700, do the following:

Step	Action
1.	Make sure the FA-700 is in normal operation mode.
2.	Press the PROGRAM key—a beep and the program LED starts flashing.

3.	Enter the phone number (<i>up to 60 digits</i>)—beeps with each key press.
4.	Press the PROGRAM key—a beep and the program LED go out. The number was entered successfully.

Changing the call-to phone number

Follow the “entering phone number” procedure to overwrite the call-to phone number.

Installation considerations

The FA-700 should be installed in a dry, clean location near an AC power outlet and a telephone wall jack, as shown in Figure 7.



Warning

- Do not install or connect your FA-700 monitor to power or phone lines during a lightning storm. Failure to observe this warning could result in an electrical shock.



Caution

- Do not install the FA-700 in a confined space, such as a bookcase or in-cabinet, in direct sunlight, or where it might get exposed to water. Failure to observe this caution could result in poor performance or damage to the FA-700.
- Use ONLY the AC power adapter sent with the FA-700. The use of other AC power adapters could result in damage to the FA-700.
- Do not install the FA-700 in high dust and debris areas. Failure to observe this caution could result in damage to the FA-700.
- Do not install the FA-700 in an area with chemical fumes or corrosive vapors. Failure to observe this caution could result in damage to the FA-700.

FA-700 assembled

Figure 7 shows an example of an ideal setup of the FA-700 fully assembled. Place the FA-700 on any flat surface, preferably a table top near an AC Power outlet and a phone jack as shown in Figure 7. Once the FA-700 is fully assembled and operational (*power LED ON*), perform a phone test to ensure that the FA-700 can call the call-to phone number during an alarm.

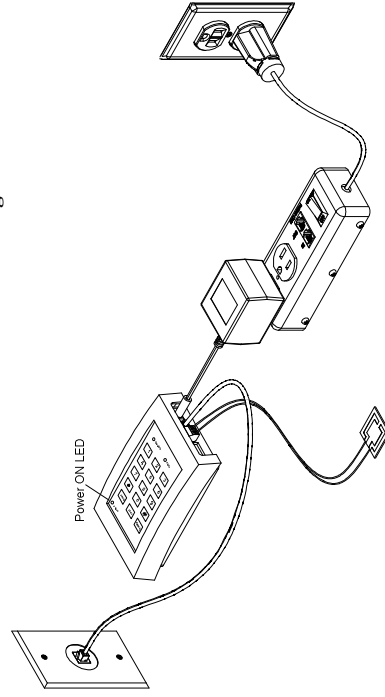


Figure 7: FA-700 Assembled

Phone test

After entering the call-to phone number, it is crucial that you test your FA-700 to verify that it can reach the programmed phone number.

Note: The CANCEL key does not function when the FA-700 is in “test mode.”

Testing your FA-700

To test the FA-700, do the following:

Step	Action
1.	Make sure the FA-700 is powered up and in normal operation mode.
2.	Press the TEST button—the FA-700 beeps and the alarm LED illuminates solid RED.
3.	<ul style="list-style-type: none"> FA-700 will immediately dial the call-to phone number. Upon answering, the unit will play the following message: “This is a test of the FreezeAlarm.” It will repeat this message for approximately “1” minute and then hang up, and the alarm LED will go out.

Important

The FA-700 does not provide any indication of call success; therefore, you must verify that the call was made successfully.

Testing for a specific alarm condition

To test for a temperature alarm you will have to simulate that specific alarm condition and then verify if the alarm phone call went through. In this scenario, you must cancel the alarm call out and correct the alarm condition.

Ring count timer

The ring timer works in the following way: when the first call comes in during an alarm event, the timer starts counting down for “3” continuous minutes. If the FA-700 receives enough rings to answer (*within “3” minutes*), it will respond, and the ring counter will reset to “0” regardless if the three minutes have elapsed or not. Also, the timer will reset to “0” if no additional calls are received during a three minute period (*multiple calls to the FA-700 within “3” minutes will not reset the ring timer*).

Calling the FA-700 during an alarm event

To call the FA-700 during an alarm, do the following:

Step	Action
1.	Call the phone number of location where the FA-700 is located—the FA-700 will answer in 5 or 10 rings (<i>DIP switch set</i>) and deliver an alarm specific message.
2.	Listen to the message describing the alarm condition.
3.	Hang up the phone.

An in-phone line answering machine/voice mail with the FA-700

When it is necessary to connect an answering machine or voice mail device to the same phone line as the FA-700, you can still use all the features of these devices, along with being able to check status and cancel an alarm call out of the FA-700.

How this works

- During setup, you can manually set the FA-700 to answer on a specified number of incoming rings “5” or “10” (*DIP switch 2, ring count*).
- Set your answering machine or voice mail to answer in fewer rings than the FA-700. (*For example, if the FA-700 is set to answer on 5 rings, set the other device to answer in “4” or fewer rings.*) Therefore, when a call comes into the location of the FA-700, the answering machine/voice mail will respond first because it is set to answer in fewer rings than the FA-700.

Calling the FA-700 during an alarm event

The following example shows how to call the FA-700 during an alarm event:

Criteria

- FA-700 ring count is set to “5” rings to answer (*factory default DIP switch setting*).
- Answering machine/voice mail is set to “4” rings to answer.
- You must make the appropriate number of phone calls to the location where the FA-700 is within “3” minutes or the timer in the FA-700 will reset to “0.”

To get the FA-700 to respond given the above example criteria, do the following:

Step	Action
1.	Call the phone number of the location where the FA-700 is located, and let the phone ring “3” times and then hang up. The internal 3-minute timer starts and the FA-700 tallies and remembers the number of rings.
2.	On your second call within “3” minutes, let the phone ring until the FA-700 answers. The FA-700 will answer first because it remembered the first “3” rings, and then it added the rings from the second call until the total reached “5,” then it answered before the answering machine/voice mail device (“4” rings to answer).
3.	Listen to the alarm message.

Note: If the FA-700 is set to answer in 10 rings (*the second choice on DIP SW2*), you may need to place more calls within “3” minutes to get the FA-700 to eventually answer.

How to cancel an alarm call-out

You can cancel an alarm call out in two ways:

- Remotely, press the number “1” key and then the pound (#) key at any time during the alarm message.
- Locally, press the CANCEL key on the key pad.

Canceling an alarm call-out while listening to an alarm message

To cancel a call out sequence while listening to an alarm message, do the following:

Step	Action
1.	Pick up the phone.
2.	Listen to the alarm message.
3.	When told, press the number “1” key.
4.	Press the pound (#) key within “1” minute to cancel the alarm call out.
5.	You can listen until you hear the FA-700 say goodbye or just hang up the phone.

Note: Canceling the call out does not cancel an active alarm (*The alarm LED will be lit*).

Canceling an alarm call-out by calling the FA-700

To cancel a call-out during an active alarm, do the following:

Step	Action
1.	Make the call to the FA-700 (<i>phone number at alarm location</i>)
2.	Wait for the FA-700 to answer (<i>5 or 10 rings—DIP switch selectable</i>)
3.	Listen to the alarm message.
4.	Press the number “1” key.
5.	Press the pound (#) key anytime during the message to cancel the alarm call out.
6.	Hang up the phone.

Canceling an alarm call-out with an answer machine/voice mail device on the same phone line

To cancel the alarm call-out, do the following:

Step	Action
1.	Make the call to the FA-700 (<i>phone number at alarm location</i>).
2.	Let the phone ring the desired number of times (<i>before the other in-line device can answer</i>).
3.	Hang the phone up.
4.	Call the number a second time within three minutes (<i>The FA-700 keeps track of all the rings from the previous calls, accumulates them until the total ring count matches its ring count number 5 or 10, and then it will answer</i>).
5.	Listen to the alarm message.
6.	Press the number ‘1’ key.
7.	Press the pound (#) key anytime during the message to cancel the alarm call out.
8.	Hang up the phone.

Remote status check

During normal operation, the FA-700 will not answer any incoming calls. You can call the FA-700 and get a response:

- If the FA-700 is in alarm mode.
- If the call-out has been cancelled for an alarm, but the alarm condition still exists, the FA-700 will answer and describe the alarm condition.

Troubleshooting

Problem	Solution
Power on LED is not lit	<ul style="list-style-type: none"> Power LED does not turn ON while running on batteries. Is the barrel connector end of the AC adapter plugged into the power jack on the FA-700, with the other end of the adapter is plugged into a "live" AC power source. Is the AC power wall outlet active? You cannot enter the call-to phone number if the FA-700 is being powered only by batteries. Is the FA-700's AC power adapter plugged into AC power? Follow the "Entering Phone Number" procedure. Does the FA-700 have power? Is the phone service working properly (<i>dial tone</i>)? Re-check that the RJ-11 phone cord is fully plugged into the phone jack of the FA-700, and into the wall jack. Re-enter the phone number, verify area code and if the number "1" is required for long distance calling. If you are using a phone calling card, check to see that the calling sequence includes pauses as may be necessary to complete the call.
FA-700 does not answer when I call	<ul style="list-style-type: none"> The FA-700 will not answer if there is no active alarm event in progress. Is there an answering machine or voice mail in line with the FA-700? (<i>see procedure for "In phone line answering machine/voice mail"</i>) Verify that phone service is active at FA-700 location. Do you hear an alarm message that the alarm call out has been canceled? Are you pressing the correct cancel alarm keys during the alarm event: number "1" key and then the pound "#" key within one minute?
I cannot cancel the alarm call out; the FA-700 continues calling out	<ul style="list-style-type: none"> The FA-700's temperature sensor is accurate to within 3°F of the actual temperature. If your FA-700 is too close to a window during the winter months (<i>below 45°C</i>) or positioned in direct sun light (<i>above 85°C</i>) this could cause the FA-700 to false alarm. Check the FA-700 to see if the batteries installed. No batteries installed could cause the FA-700 to issue a false alarm.
Receiving a false alarm	

Technical information

Technical specification

Specification	Description
Power requirements	Two power sources: <ul style="list-style-type: none"> 110VAC power adapter voltage stepped down to 6VDC, 200mA. 2 AA batteries for backup power (<i>alkaline or lithium batteries, not provided</i>) CHANGE BATTERIES after a prolonged AC power failure or yearly.
Temperature monitoring (<i>DIP switch selectable</i>)	Temperature drops below 45°F (7°C) or temperature rises above 85°F (34°C)
Humidity	95%
Dimensions	5.8in L, 3.5in W, 1.5in H (<i>147.3mm, 88.9mm, 38.1mm</i>) approximately
Ring Equivalence Number (REN)	0.1B

FCC statement

This equipment complies with Part 68 of the FCC rules and the requirements adopted by the ACTA (*American Council for Terminal Attachments*). On the bottom of your FA-700 is a label that contains, among other information the FCC registration number for this product. If requested, this number must be provided to the telephone company.

Plug and jack use

A plug and jack used to connect this equipment to the premises wiring and telephone network must comply with the applicable FCC Part 68 rules and requirements adopted by the ACTA. A compliant telephone cord and modular plug is provided with this product. It is designed to be connected to a compatible modular jack that is also compliant. See installation instructions for details.

Ring equivalence number (REN)

The REN is used to determine the number of devices that may be connected to a telephone line. Excessive REN's on a telephone line may result in the devices not ringing in response to an incoming call. In most, but not all areas, the sum of RENs should not exceed five (5.0). To be certain of the number of devices that may be connected to a line, as determined by the total RENs, contact your local telephone company. The REN for this product is shown above and is also identified as part of the FCC product identifier shown on the label on the back of your FA-700.

Telephone network interferences

If this FA-700 causes harm to the telephone network, the telephone company will notify you in advance that temporary discontinuance of service may be required. But if advance notice isn't practical, the telephone company will notify the customer as soon as possible. Also, you will be advised of your right to file a complaint with the FCC if you believe it is necessary.

The telephone company may make changes in its facilities, equipment, operations or procedures that could affect the operation of the equipment. If this happens, the telephone company will provide advance notice in order for you to make necessary modifications to

maintain uninterrupted service. If the equipment is causing harm to the telephone network, the telephone company may request that you disconnect the equipment until the problem is resolved.

If your home has specially wired alarm equipment connected to the telephone line ensure the installation of your FA-700 does not disable your alarm equipment. If you have questions about what will disable alarm equipment, consult your telephone company or a qualified installer.

Contact us

To order the FA-700, contact one of our Customer Service Representatives at:

Protected Home

1724 Lake Drive West

Chanhassen, MN 55317

952-448-2217

Fax: 952-448-1606

customerservice@controlproductsinc.com

Or visit us at:

www.protectedhome.com

Technical support

If you need additional help installing or using your FA-700, contact our technical support department at 952-361-4101, Monday thru Friday, 8 AM to 5 PM CST. Or you can email your questions to: techsupport@controlproductsinc.com

Warranty

Warrantor: Dealer, Distributor, Retailer, Manufacturer Warranty and remedy

We believe the FA-700 is a superior product. Although we take extreme pride in producing and testing a product that will function properly, we cannot guarantee that there will never be a defective unit or that a unit will function on all the thousands of phone lines and communication equipment in existence. For this reason, it must be clear that the warrantors are not insuring your premises or guaranteeing that there will not be damage to your person or property if you use this product. If you are not comfortable with our Limited Warranty, or completely satisfied with the product, we encourage you to return the unused product for a full refund within 30 days of purchase. Thank you for your understanding.

One Year Limited Warranty: Protected Home warrants its product to be free from defects in material and workmanship under normal use for one year, and is not responsible for consequential damages or installation costs of any nature. In the event that the FA-700 does not conform to this warranty at any time during the period of one year from original purchase date, the warrantor will repair the defect and return it to you at no charge.

Important

The warranty is limited to replacement of the product ONLY. Secondly, because every phone line differs, we strongly encourage you to fully test this product in its actual application. This should include a full test, involving the product actually dialing to its designated locations and someone verifying the proper response.

Causes for termination of this warranty

This warranty shall terminate and be of no further effect at the time the products is

- Damaged by extraneous causes such as fire, water, power surge or spike, lightning, etc., or not maintained as reasonable and necessary
- Modified
- Improperly installed
- Repaired by someone other than the warrantor
- Used in a manner or purpose for which the product was not intended

WARRANTORS' OBLIGATION UNDER THIS WARRANTY IS LIMITED TO REPAIR OR REPLACEMENT OF THE PRODUCT ONLY. THIS WARRANTY DOES NOT COVER PAYMENT OR PROVIDE FOR THE REIMBURSEMENT OF PAYMENT FOR INCIDENTAL OR CONSEQUENTIAL DAMAGES.

Warrantors' liability

It must be clear that the warrantors are not insuring your premises or guaranteeing that there will not be damage to your person or property if you use this product. The Warrantors shall not be liable under any circumstances for damage to your person or property or some other person or that person's property by reason of the sale or use of this product, or its failure to operate in the manner in which it is designed. The warrantors' liability, if any, shall be limited to the original cost of the product only. Use of this product is at your own risk.

Procedures for obtaining performance for warranty

In the event that the product does not conform to this warranty, the product should be shipped or delivered freight prepaid to warrantor with evidence of original purchase. If in any way you're not comfortable with this product or its Limited Warranty, we encourage you to return it unused within 30 days of original purchase date, with evidence of the purchase date.

To return a product to Protected Home

All products being returned to Protected Home must have a valid Returned Goods Authorization Number (RGA #) from Protected Home, regardless of why the product is being returned. Warranty returns will be honored only with a RGA #. Ship warranty return products prepaid to Protected Home, 1724 Lake Drive West, Chamhassen, MN 55317. Protected Home will, at its option, either repair or replace the product free of charge and return the repaired unit or replacement unit at the lower cost shipping prepaid. Products returned for credit are subject to a 25% restocking charge. Returns resulting from errors by the seller are not subject to this charge. All returns must include evidence of original purchase, showing purchase date. The RGA # should be clearly marked on the outside of the package containing the product.

How to request an RGA number

To request a RGA #, call Protected Home at 952-448-2217 and ask for Customer Service. Failure to have a RGA # may result in lost product or significant delays in handling your return. Also, products without a RGA # Clearly Marked On The Outside Of The Package are not the responsibility of Protected Home.

Index

Alarm		program	6
beep sequence	7	LEDs	5
call in during	17, 18	Phone	
cancel	8, 19	#key	14
cancel call out	19, 20	calling cards and voice mail	14
cancel key presses	19	changing number	15
conditions	7	delete number	15
FA-700 handling of	8	dialing	
operation	7	long distance	14
Battery		enter a phone number	15
install	10	jack splitter	13
life	10	pause key	14
safety	10	services	14
type	10	star key	14
Caution		test	17
definition	4	Power	
Check Status	20	AC adapter	5
Connect		backup	7
splitter to phone jack	13	battery	10
to phone jack	12	connecting AC	11
Connector		input jack	5
descriptions	5	sources	7
phone jack	5	Product	
phone plug and jack use	22	returns	25
DIP Switch	5	Ring	
audible alarm settings	9	count setting	9
call out frequency settings	9	equivalence number (REN)	22
descriptions	9	Ring Count	
ring-count settings	9	timer	17
settings	9	Splitter	
temperature settings	9	phone jack	13
FA-700		Temperature	
parts and purpose	5	monitoring	6, 9
Installation	16	Warnings	
LED		definition	4
alarm	6	Warranty	
descriptions	6	loss of	24
power	6	product returns	25

Appelur du FreezeAlarm FA-700



Installation et manuel d'utilisation

Protected Home
Une division de Control Products, Inc.
1724 Lake Drive West
Chanhassen, MN 55317, États-Unis

N° de document. 42420079A

Table des matières

Description	27	Tesis relatifs à une condition d'alarme précise	36
Description physique	27	Horloge décompte des sonneries	36
Généralités	28	Appeler le FA-700 pendant un événement d'alarme	36
Voyants DEL	28	Une ligne téléphonique sur un répondeur/messagerie vocale avec le FA-700	37
Fonctionnement	28	Comme cela fonctionne	37
Fonctionnement normal du FA-700	28	Appeler le FA-700 pendant un événement d'alarme	37
Comment le FA-700 est alimenté	28	Annuler un appel d'alarme sortant pendant que vous écoutez un message d'alerte	37
Fonctionnement de l'alarme	28	Annuler un appel d'alarme sortant en appelant le FA-700	38
Comment le FA-700 gère une condition d'alarme	29	Annuler un appel d'alarme sortant avec un répondeur/messagerie vocale sur la même ligne téléphonique	38
Fonctions et paramétrage du commutateur DIP	29	Vérification de l'état à distance	38
Configuration initiale	30	Dépannage	39
Branchement au secteur	30	Information technique	40
Séquence mise sous tension	30	Spécifications techniques	40
Piles	31	Énoncé de la FCC	40
Manipulation des piles et sécurité	31	Utilisation de la prise et de la fiche	40
Durée de vie des piles	31	Indice d'équivalence de sonnerie (IES)	40
Installation des piles	32	Interférences sur le réseau téléphonique	40
Raccordement à la ligne téléphonique standard	32	Contactez-nous	41
Raccordement du FA-700 et d'autre appareil à la même prise téléphonique	32	Assistance technique	41
Services téléphoniques et votre FA-700	33	Garantie	42
DSL et autres services de téléphonie numérique	33	Garant : Concessionnaire, distributeur, détaillant, fabricant	42
Les appels utilisant une carte d'appel ou un numéro de téléphone de téléavertisseur	34	Garantie et recours	42
Créer des pauses	34	Causes d'annulation de la garantie	42
Appels vers un numéro de téléphone interurbain	34	Obligation du garant	42
Programmation (saisie d'un numéro de téléphone)	34	Marche à suivre pour obtenir l'application de la garantie	43
Avant de saisir un numéro de téléphone	34	Pour retourner le produit à Protected Home	43
Saisie d'un numéro de téléphone	34	Comment demander un numéro RGA	43
Changer le numéro de téléphone programmé	35		
Considérations relatives à l'installation	35		
FA-700 monté	35		
Test téléphonique	36		
Tester votre FA-700	36		

Marque commerciale

Toutes les marques commerciales et déposées sont la propriété de leurs propriétaires respectifs. Le FA-700 FreezeAlarm est une marque commerciale de Protected Home. Touch Tone® est une marque déposée de AT&T.

Droit d'auteur

© 2010 Protected Home: Tous droits réservés. Aucune partie de cet ouvrage ne peut être reproduite ou utilisée sous quelque forme ou par quelque moyen, du point vu graphique, électronique ou mécanique sans la permission écrite de Protected Home.

Date d'achat, code de date et numéro de série

Afin de pouvoir retrouver plus facilement les informations nécessaires au moment de communiquer avec les services d'assistance technique et d'entretien, nous vous recommandons d'écrire la date d'achat, le « code de date » et le numéro de série de votre appareil dans les cases à cet effet ci-dessous. Le « code de date » peut se trouver sur l'étiquette apposée en dessous du FA-700.

DATE D'ACHAT :	
DATE DE CODE :	
NUMÉRO DE SÉRIE :	

Important

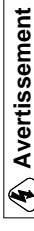
Tous les efforts ont été déployés pour assurer que les informations pour cette installation et le manuel d'utilisation sont complètes, exactes et à jour. Protected Home et ses fournisseurs n'assument aucune responsabilité concernant des erreurs présentes dans ce manuel, ni ne peuvent garantir que des modifications de matériel et de composants réalisées par d'autres fabricants, en référence à ce manuel, n'affectera pas le fonctionnement ou l'utilisation prévue du FA-700.

Précautions et avertissements

Veillez nous indiquer en cas de mauvaise performance ou de dégât potentiel du matériel. Avertissez-nous en cas de préjudice infligé aux personnes. Les symboles indiqués ci-après recensent les précautions et avertissements :



Attention



Avertissement

Les précautions et avertissements apparaissent ici et peuvent apparaître tout au long de ce manuel, le cas échéant. La non lecture et l'incompréhension des informations représentées par ces symboles peuvent entraîner de mauvaises performances du matériel, l'endommagement du matériel ou des préjudices aux personnes.



Attention

- Ne pas installer le FA-700 dans un espace confiné, comme une bibliothèque ou un meuble, en plein soleil, ou dans un lieu qui pourrait être exposé à de l'eau. Le non-respect de cette précaution peut entraîner de mauvaises performances ou endommager le FA-700.
- Tout changement ou modification à ce matériel qui ne serait pas inscrit dans ce manuel peut altérer les performances ou endommager le FA-700 et annulera la garantie.
- L'utilisation de tout accessoire non recommandé pour une utilisation du FA-700 peut conduire à de mauvaises performances ou un endommagement du FA-700.
- Utilisez UNIQUEMENT l'adaptateur secteur livré avec le FA-700. L'utilisation d'autres adaptateurs secteur peut endommager le FA-700.
- Ne pas installer le FA-700 dans des zones en présence de poussière ou de débris. Le non-respect de cette précaution peut endommager le FA-700.
- Ne pas installer le FA-700 dans une zone avec des émanations chimiques ou des vapeurs corrosives. Le non-respect de cette précaution peut endommager le FA-700.



Avertissement

- Ne pas toucher l'extrémité du connecteur cylindrique de l'adaptateur secteur avec les mains mouillées lorsque branché sur le courant alternatif. Le non-respect de cet avertissement peut entraîner un choc électrique.
- Ne pas jeter les piles au feu. Le non-respect de cet avertissement peut entraîner une explosion.
- Ne pas installer ni brancher le FA-700 au secteur ou à une ligne téléphonique au cours d'un orage avec de la foudre. Le non-respect de cet avertissement peut entraîner un choc électrique.

Description

Description physique

La figure 1 décrit les parties du FA-700.

Figure 1 : Liste des pièces du FA-700

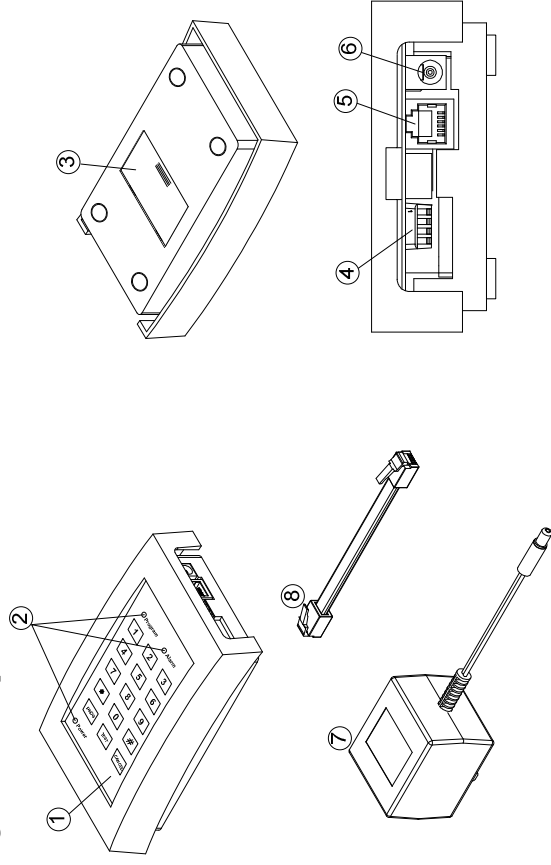


Tableau 1 : Pièces et rôle du FA-700

Pièce	Rôle
1. Pavé numérique	Utilisé pour entrer le numéro de téléphone à appeler, activer un test téléphonique, et annuler une alarme.
2. Voyants DEL (3)	Indique l'état de fonctionnement du FA-700 pour l'alimentation, la programmation et l'alarme. Les voyants ne fonctionnent pas lors du fonctionnement sur piles de secours.
3. Compartiment pile	Héberge deux piles AA pour l'alimentation de secours pendant une coupure de l'alimentation secteur.
4. Commutateurs DIP	Ces commutateurs déterminent la façon dont le FA-700 répondra aux conditions de l'alarme.
5. Prise téléphonique	Une prise téléphonique RJ-11 est utilisée pour connecter le FA-700 à une ligne téléphonique standard.
6. Prise secteur	Se connecte au connecteur cylindrique de l'adaptateur secteur pour fournir 6 volts de courant c.c. pour le fonctionnement du FA-700.
7. Adaptateur d'alimentation CA	Convertit le courant alternatif en 6 volts courant continu pour le fonctionnement du FA-700.
8. Cordon de téléphone	Relie le FA-700 à la prise téléphonique murale, longueur 7 pieds (2.1m).

Généralités

Le FA-700 surveille votre domicile pour différentes conditions liées à l'alarme. Lorsqu'un événement lié à l'alarme se produit, le FA-700 appelle le numéro de téléphone programmé pour les alarmes suivantes :

- Température tombant en dessous de 45 °F (7 °C) ou température dépassant les 85 °F (34 °C) *commutateur DIP (sélectionnable)*
- État pile faible du FA-700 (*piles AA de secours*)

Quand un problème se produit à l'endroit surveillé, le FA-700 commencera à appeler le numéro de téléphone programmé, par le biais d'une ligne téléphonique standard et donnera une description (*en anglais*) des alarmes en cours. Le FA-700 continuera d'appeler jusqu'à ce que l'appel d'alarme sortant soit annulé.

Voyants DEL

Le FA-700 possède trois voyants : L'alimentation, la programmation et l'alarme sont situées sur son panneau avant. Les voyants indiquent l'état de fonctionnement en cours du FA-700. Le tableau 2 explique les états de fonctionnement de ces trois voyants.

Tableau 4 : Voyant états de fonctionnement

Voyants DEL	États de fonctionnement
Alimentation	<ul style="list-style-type: none"> • EN vert lorsque le FA-700 est branché sur l'adaptateur secteur • DESACTIVÉ lorsqu'il fonctionne en mode pile pour préserver l'alimentation
Programmation	<ul style="list-style-type: none"> • CLIGNOTE en rouge en appuyant sur la touche PROGRAMMATION • EN rouge (<i>ne clignote pas</i>) pendant la programmation du numéro de téléphone. • DESACTIVÉ en mode fonctionnement normal • DESACTIVÉ lorsque l'alimentation secteur ne parvient pas à préserver la pile d'alimentation de secours
Alarme	<ul style="list-style-type: none"> • EN rouge lorsqu'en mode alarme • DESACTIVÉ en mode fonctionnement normal • DESACTIVÉ lorsque l'alimentation secteur ne parvient pas à préserver la pile d'alimentation de secours

Fonctionnement

Fonctionnement normal du FA-700

En mode fonctionnement normal, le FA-700 :

- Surveille la température ambiante grâce à un capteur de température embarqué.
- Surveille les piles AA de secours en cas de puissance électrique faible.

Comment le FA-700 est alimenté

Le FA-700 est alimenté par un adaptateur secteur 6-volts, qui est livré avec le FA-700. Deux piles AA (*non comprises*) fournissent une alimentation de secours pour le FA-700 pendant une panne de courant.

Fonctionnement de l'alarme

Le FA-700 surveillera et enverra un message pré-enregistré au numéro de téléphone enregistré pour les alarmes suivantes :

- Si la température descend en dessous de 45 °F (7 °C) ou monte au dessus de 85 °F (34 °C) (*commutateur DIP sélectionnable*)

- Si l'appareil rencontre un état de pile faible

Comment le FA-700 gère une condition d'alarme

Étape	Description
A.	Lorsqu'une alarme se déclenche, le VOYANT de l'alarme s'allume (s'il ne s'agit pas d'une panne de courant CA).
B.	Le FA-700 commence à appeler le numéro de téléphone programmé, en tentant de délivrer un message d'alarme vocale en temps réel. Si le FA-700 reçoit un signal occupé ou pas de réponse après 10 sonneries, il raccrochera immédiatement.
C.	Le FA-700 continuera d'appeler le numéro de téléphone programmé, toutes les 15 ou 60 minutes (<i>commutateur DIP sélectionnable</i>) jusqu'à ce qu'un destinataire réponde.
D.	Lorsque le destinataire de l'appel décroche (<i>une personne ou un répondeur</i>), le FA-700 délivrera un message d'alarme pré-enregistré en usine, spécifiant le(s) condition(s) spécifique(s) de l'alarme.
E.	Le FA-700 continuera d'appeler jusqu'à ce que les mesures suivantes soient prises : <ul style="list-style-type: none"> • Localement, appuyez sur la touche ANNULER sur le pavé numérique. • À distance, par téléphone, appuyez sur la touche "1", puis sur la touche "#" sur le pavé numérique à tout moment pendant le message d'alarme.
F.	Une fois que l'appel d'alarme sortant est annulé, le FA-700 fera une de ces deux choses : <ul style="list-style-type: none"> • Si l'alarme est toujours active, le FA-700 vous permet d'appeler pour écouter l'alarme actuelle. • Si la condition de l'alarme a été corrigée, le FA-700 ne répondra pas aux appels entrants.
G.	Lorsque vous annulez un appel d'alarme sortant, et corrigez la cause de l'alarme, le VOYANT d'alarme s'éteindra et l'appareil se réinitialisera en fonctionnement normal automatiquement.

Fonctions et paramétrage du commutateur DIP

Le FA-700 possède un commutateur DIP à 4 positions. Les paramètres du commutateur déterminent comment le FA-700 répondra aux conditions d'alarme spécifiques. La figure 2 indique le commutateur DIP et le tableau 3 présente les fonctions de chaque commutateur. Tournez le FA-700 la tête en bas comme indiqué en figure 2 pour une bonne orientation du commutateur DIP.

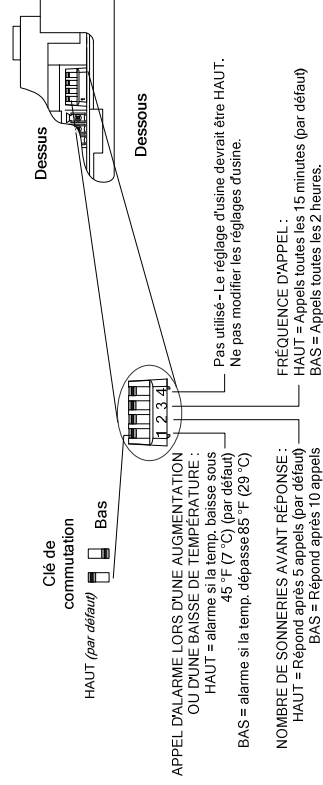


Figure 2 : Commutateurs DIP

Remarque : Utilisez un stylo à bille ou un petit objet similaire pour régler les commutateurs DIP.

Tableau 3 : Fonctions et paramètres du commutateur DIP

Commutateur	Fonction (le commutateur en position HAUTE est sa valeur par défaut)
1	Basse et haute température: <ul style="list-style-type: none"> • HAUT, lorsque la température de l'environnement surveillé tombe en dessous de 45 °F (7,2 °C) un message d'alerte est envoyé. • BASSE, lorsque la température de l'environnement surveillé est au-dessus de 85 °F (29,4 °C) un message d'alerte est envoyé.
2	Relevez le nombre de sonnerie lorsque vous appelez votre FA-700 pour annuler une alarme: <ul style="list-style-type: none"> • HAUT, "5" sonneries avant que le FA-700 réponde. • BAS, "10" sonneries avant que le FA-700 réponde. Si le nombre de sonneries relevées est identique à celui du répondeur, ou au nombre de sonneries auquel vous devez attendre avant que la machine réponde.
3	Surveille la fréquence des appels sortants : <ul style="list-style-type: none"> • BAS, séquence d'appel se produit toutes les 60 minutes. Lorsque la surveillance passe en mode alarme, il commencera à appeler le numéro de téléphone programmé. Si la condition alarme n'est pas annulée, il appellera toutes les 15 ou 120 minutes jusqu'à ce que l'alarme soit annulée.
4	Ne pas utiliser Position par défaut : OFF

Configuration initiale

Branchement au secteur

Avertissement

- Ne pas toucher l'extrémité du connecteur cylindrique de l'adaptateur secteur avec les mains mouillées lorsque branché sur le courant alternatif. Le non-respect de cet avertissement peut entraîner un choc électrique.
- Ne pas installer ni brancher le FA-700 au secteur ou à une ligne téléphonique au cours d'un orage avec de la foudre. Le non-respect de cet avertissement peut entraîner un choc électrique.

Séquence mise sous tension

Dès la mise sous tension, les voyants du FA-700 se comporteront comme suit :

- Les voyants d'alimentation, de programmation et d'alarme s'allumeront pendant quelques secondes, puis les voyants de programmation et d'alarme s'éteindront
- Le voyant d'alimentation restera allumé

Remarque : Un parasurtenseur est recommandé, mais n'est pas fourni. Vous pouvez acheter un parasurtenseur chez Protected Home ou dans un magasin d'informatique ou de matériel électronique local.

Pour raccorder au secteur le FA-700 avec l'adaptateur c.a, respectez les étapes indiquées en figure 3.

Voyant d'alimentation DEL

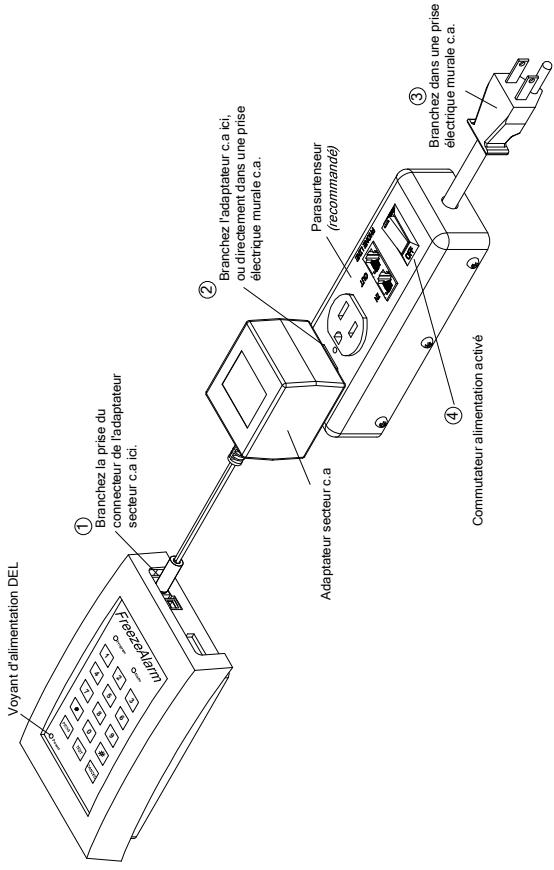
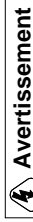


Figure 3 : Raccordement de l'adaptateur secteur

Piles

Manipulation des piles et sécurité



Avertissement

Ne pas jeter les piles au feu. Le non-respect de cet avertissement peut entraîner une explosion.

Remarque : RETIREZ les piles lorsque le FA-700 n'est pas en service.

Durée de vie des piles

Si la tension de secours des piles descend en dessous de 2,35 volts, une alarme de pile faible sera envoyée, même si l'appareil est alimenté par l'adaptateur secteur. Le FA-700 appellera le numéro de téléphone programmé et émettra un message d'alerte de pile faible. Si l'appareil fonctionne uniquement sur les piles (*après une coupure de courant*), l'appel sortant se poursuivra jusqu'à ce que la puissance des piles tombe environ en dessous de 1,9 volt. Normalement, la plupart des piles alcalines doivent fournir environ 12 heures de courant continu.

Remarque : Si l'alarme pile faible provient d'une coupure de courant prolongée de l'alimentation secteur, il est recommandé que vous remplaciez les piles. En outre, une fausse alarme de pile faible peut se produire si les piles AA n'ont pas été installées et si le FA-700 est branché au courant du secteur.

Important

Vous ne POUVEZ PAS programmer le numéro de téléphone à appeler lorsque le FA-700 fonctionne uniquement sur les piles.

Remarque : Le FA-700 utilise deux piles AA pour l'alimentation de secours.

Installation des piles

Remarque : Pour éviter une fausse alarme de pile, veuillez raccorder l'adaptateur secteur au FA-700 et à la prise murale avant d'insérer les piles.

Pour installer les piles, respectez les étapes indiquées à la Figure 4.

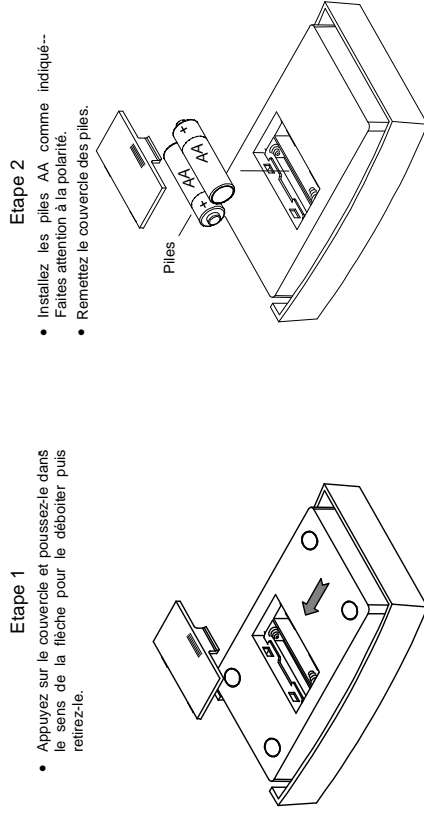


Figure 4 : Installation des piles, branchement

Raccordement à la ligne téléphonique standard

Pour raccorder le FA-700 à une ligne téléphonique, procédez comme suit :

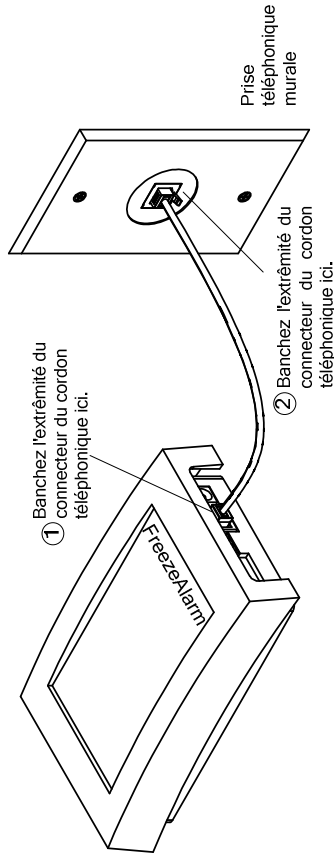


Figure 5 : FA-700 raccordé à la ligne téléphonique

Raccordement du FA-700 et d'autre appareil à la même prise téléphonique

Si vous avez besoin de brancher le FA-700 et un autre dispositif, tel qu'un téléphone, à la même prise téléphonique murale, il suffit d'utiliser un diviseur de prise téléphonique (*non fourni*). Pour utiliser un séparateur, procédez comme suit :

Étape	Mesure
3.	Branchez le diviseur de ligne dans la prise murale comme indiqué à la Figure 6.
4.	Branchez une carte de téléphone dans une des prises du diviseur de ligne, comme indiqué à la Figure 6.
5.	Branchez la deuxième carte de téléphone dans l'autre prise sur le diviseur de ligne.
6.	Branchez l'autre extrémité de l'un des cordons téléphoniques dans le FA-700.
7.	Branchez l'autre extrémité du cordon téléphonique restant dans le téléphone et l'autre appareil.

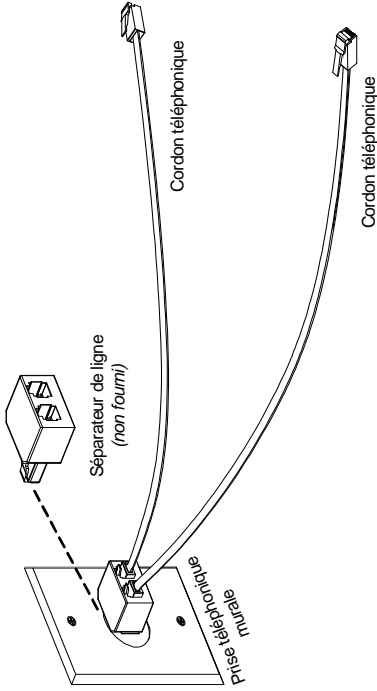


Figure 6 : Diviseur de ligne téléphonique

Remarque : Les deux appareils fonctionneront à partir de la même prise de façon indépendante sans interférence. Le diviseur de ligne peut être acheté dans la plupart des magasins de matériel et d'électronique.

Services téléphoniques et votre FA-700

DSL et autres services de téléphonie numérique

Remarque : FA-700 est certifié par la FCC et conçu pour le fonctionnement avec une ligne téléphonique locale. Le DSL, le câble, ou le service de téléphonie numérique peut fonctionner avec les filtres en ligne adéquats. Si vous avez des questions ou des problèmes en utilisant un de ces types de services de téléphonie, contactez le fournisseur de service de téléphonie spécifique pour une assistance.

Remarque : Le FA-700 compose un appel sortant en utilisant uniquement une numérotation par tonalité.

Important

Durant les coupures de courant, de nombreux services de téléphonie alternatifs tels que le DSL, le numérique et le câble NE FONCTIONNENT PAS. Ces services téléphoniques nécessitent que l'alimentation soit à un emplacement où le téléphone fonctionne. Le FA-700 ne pourra pas réaliser des appels sortants si l'alimentation est coupée lors de l'utilisation de ces services de téléphonie. Si vous avez un ligne téléphonique standard, l'alimentation est fournie à cette ligne via la compagnie téléphone et n'est généralement pas affectée lorsque l'alimentation est coupée à l'endroit surveillé.

Les appels utilisant une carte d'appel ou un numéro de téléphone de téléavertisseur

Lorsque vous utilisez une carte d'appel ou un système de téléavertisseur, vous avez souvent besoin d'inclure les pauses pour veiller à ce que suffisamment de temps soit alloué pour composer un numéro de téléphone. Pour vous faire une idée du temps nécessaire, appelez la carte d'appel préférée ou le téléavertisseur pour mieux comprendre la façon dont ce système fonctionne. Le plus souvent, la carte d'appel ou le système, may annonce "enter your calling card number followed by the pound (#) key." Veillez à appuyer sur l'ensemble des touches nécessaires lorsque vous saisissez le numéro. En outre, pendant que la carte ou le système de téléavertisseur parle (*nombre de secondes*), vous être tenu de saisir des pauses pendant ce temps pour permettre au système de disposer de suffisamment de temps pour accepter votre numéro de téléphone.

Créer des pauses

Vous pouvez ajouter des pauses à votre numéro de téléphone lorsque vous le saisissez dans le FA-700 en appuyant sur la touche ETOILE (*) deux fois, ce qui représente une pause de 2 secondes. Si vous avez besoin de saisir une pause de 6 secondes, appuyez sur la touche ETOILE (*) six fois.

Remarque : Appuyez toujours sur la touche ETOILE (*) deux fois (par multiples de 2) pour créer une pause effective; faute de quoi, une simple pression sur la touche ETOILE se traduira littéralement en tant que partie du numéro de téléphone composé.

Appels vers un numéro de téléphone interurbain

Appels interurbains : Assurez-vous de saisir le numéro de téléphone exactement comme vous le ferez pour composer un appel interurbain vous-même (") et indicatif régional si nécessaire). S'il s'agit d'un appel international, assurez-vous d'utiliser le code de pays approprié et de suivre les règles de composition internationales. Vérifiez auprès de votre compagnie de téléphone pour une aide afin de déterminer le numéro exact.

Programmation (saisie d'un numéro de téléphone)

Vous pouvez programmer un numéro de téléphone dans le FA-700 (60 chiffres), qui sera utilisé pour communiquer les messages d'alerte.

Avant de saisir un numéro de téléphone

Important

- NE PAS saisir les numéros de téléphone des services d'urgence (*pompiers, police ou ambulance*) dans le FA-700.
- NE PAS oublier l'indicatif régional, puis saisir le numéro de téléphone exactement comme vous le ferez pour passer un appel téléphonique personnel.
- Composition de numéro interurbain : Saisir "1," l'indicatif régional si nécessaire, puis le numéro de téléphone.

Il est essentiel que vous exécutiez un système de test pour valider le numéro à appeler. Pour le test proprement dit, il est recommandé qu'une personne située à l'emplacement de l'appel confirme avoir reçu l'appel.

Remarque : Vous ne pouvez pas saisir un numéro de téléphone lorsque le FA-700 fonctionne uniquement sur les piles.

Saisie d'un numéro de téléphone

Remarque : Le numéro de téléphone est stocké dans une mémoire non volatile (*conservé de façon permanente dans le FA-700 indépendamment des coupures de courant ou d'un stockage à long terme*).

Pour saisir le numéro de téléphone dans le FA-700, procédez comme suit :

Étape	Mesure
1.	Assurez-vous que le FA-700 est en mode fonctionnement normal.
2.	Appuyez sur la touche PROGRAMME—émission d'un bip et le voyant programme commence à clignoter.

3.	Saisissez le numéro de téléphone (<i>jusqu'à 60 chiffres</i>)—émission d'un bip à chaque pression d'une touche.
4.	Appuyez sur la touche PROGRAMME—émission d'un bip et le voyant programme s'éteint. Le numéro a été saisi avec succès.

Changer le numéro de téléphone programmé

Respectez la procédure "saisie du numéro de téléphone" pour écraser le numéro de téléphone programmé.

Considérations relatives à l'installation

Le FA-700 doit être installé dans un endroit sec, et propre près d'une prise d'alimentation et une prise téléphonique murale, comme indiqué à la figure 5.

Avertissement

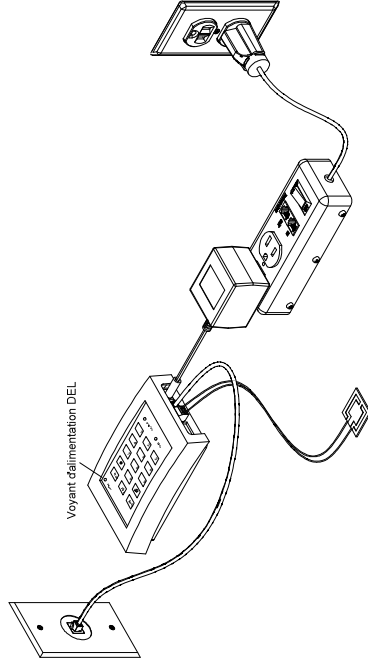
- Ne pas installer ni brancher votre moniteur FA-700 au secteur ou à une ligne téléphonique au cours d'un orage avec de la foudre. Le non-respect de cet avertissement peut entraîner un choc électrique.

Attention

- Ne pas installer le FA-700 dans un espace confiné, tel qu'une bibliothèque ou dans un meuble, directement à la lumière du soleil, ou dans un lieu où il pourrait être exposé à de l'eau. Le non-respect de cette précaution peut entraîner de mauvaises performances ou endommager le FA-700.
- Utilisez UNIQUEMENT l'adaptateur secteur livré avec le FA-700. L'utilisation d'autres adaptateurs secteur peut endommager le FA-700.
- Ne pas installer le FA-700 dans des zones en présence de poussière ou de débris. Le non-respect de cette précaution peut endommager le FA-700.
- Ne pas installer le FA-700 dans une zone avec des émanations chimiques ou des vapeurs corrosives. Le non-respect de cette précaution peut endommager le FA-700.

FA-700 monté

La figure 7 montre un exemple d'une configuration idéale du FA-700 entièrement monté. Placez le FA-700 sur une surface plane, de préférence sur une table près d'une prise d'alimentation secteur et une prise de téléphone comme indiqué à la figure 7. Une fois que le FA-700 est entièrement monté et opérationnel (*voyant alimentation allumé*), effectuez un test téléphonique afin de s'assurer que le FA-700 peut appeler le numéro de téléphone programmé lors d'une alarme. **Figure 7 : FA-700 monté**



Test téléphonique

Après avoir saisi le numéro de téléphone programmé, il est crucial que vous testiez votre FA-700 pour vérifier qu'il peut joindre le numéro de téléphone programmé.

Remarque : La touche ANNULLER ne fonctionne pas lorsque le FA-700 est en "mode test."

Tester votre FA-700

Pour tester le FA-700, procédez comme suit :

Étape	Mesure
1.	Assurez-vous que le FA-700 est sous tension et en mode de fonctionnement normal.
2.	Appuyez sur le bouton TEST—le FA-700 émet un bip et le voyant d'alarme s'allume en ROUGE de manière constante. <ul style="list-style-type: none"> • Le FA-700 appellera le numéro programmé immédiatement. • Dès qu'il y a une réponse, l'appareil délivrera le message suivant : "Ceci est un test de l'alarme FreezeAlarm." • Il répétera ce message pendant environ "1" minute, puis raccrochera, et le voyant d'alarme s'éteindra.

Important

Le FA-700 ne fournit aucune indication concernant le succès de l'appel; c'est pourquoi, vous devez vérifier si l'appel a bien été réalisé.

Tests relatifs à une condition d'alarme précise

Pour tester une d'alarme de température vous aurez à simuler une condition d'alarme précise, puis vérifier si l'appel d'alarme a bien été effectué. Dans ce cas, vous devez annuler l'appel d'alarme sortant et corriger la condition d'alarme.

Horloge décompte des sonneries

L'horloge des sonneries fonctionne de la manière suivante: lorsque le premier appel survient au cours d'un événement d'alarme, l'horloge commence un compte à rebours pour "3" minutes successives. Si le FA-700 reçoit assez de sonnerie pour répondre (*dans un délai de "3" minutes*), il répondra, et le compteur de sonnerie se réinitialisera sur "0" peu importe si les trois minutes se sont écoulées ou non. En outre, l'horloge se réinitialisera à "0" si aucun appel supplémentaire sont reçu pendant une période de trois minutes (*appels multiples vers le FA-700 dans un délai de "3" minutes ne réinitialisera pas l'horloge des sonneries*).

Appeler le FA-700 pendant un événement d'alarme

Pour appeler le FA-700 pendant une alarme, procédez comme suit :

Étape	Mesure
1.	Appelez le numéro de téléphone du lieu où le FA-700 est situé—le FA-700 répondra en 5 ou 10 sonneries (<i>commutateur DIP réglé</i>) et délivrera un message d'alerte spécifique.
2.	Écoutez le message décrivant la condition de l'alarme.
3.	Raccrochez le téléphone.

Une ligne téléphonique sur un répondeur/messagerie vocale avec le FA-700

Quand il est nécessaire de brancher un répondeur ou un appareil tel qu'une messagerie vocale sur la même ligne téléphonique sur le FA-700, vous pouvez toujours utiliser pleinement les fonctionnalités de ces appareils, en plus d'être en mesure de vérifier l'état et annuler une alarme relative à un appel sortant du FA-700.

Comme cela fonctionne

- Lors de la configuration, vous pouvez définir manuellement le FA-700 afin qu'il réponde à un nombre défini de sonneries entrantes "5" ou "10" (*DIP Commutateur DIP 2, décompte des sonneries*).
- Configurez votre répondeur ou messagerie vocale pour répondre en fonction de moins de sonnerie que le FA-700. (*Par exemple, si le FA-700 est configuré pour répondre à 5 sonneries, configurez l'autre appareil pour répondre à "4" ou à moins de sonnerie.*) C'est pourquoi, lorsque un appareil parvient à l'emplacement du FA-700, le répondeur/messagerie vocale répondra en premier car ils sont configurés pour répondre à moins de sonnerie que le FA-700.

Appeler le FA-700 pendant un événement d'alarme

L'exemple suivant montre comment appeler le FA-700 pendant un événement d'alarme :

Critère

- Le décompte des sonneries du FA-700 est réglé sur "5" sonneries pour répondre (*Réglage par défaut du commutateur DIP*).
- Répondeur téléphonique/messagerie vocale réglé sur "4" sonneries pour répondre.
- Vous devez réaliser le nombre approprié d'appel téléphonique à l'emplacement où est situé le FA-700 dans les "3" minutes ou l'horloge du FA-700 sera remis à "0."

Afin que le FA-700 puisse répondre aux critères des exemples indiqués ci-dessus, procédez comme suit :

Étape	Mesure
1.	Appelez le numéro de téléphone à l'emplacement où se trouve le FA-700, et laissez sonner "3" fois puis raccrochez. L'horloge interne d'une durée de 3 minutes démarre et le FA-700 compte et enregistre le nombre de sonnerie.
2.	Lors de votre deuxième appel dans un délai de "3" minutes, laissez le téléphone sonner jusqu'à ce que le FA-700 réponde. Le FA-700 répondra en premier, car il a enregistré les "3" premières sonneries, puis il a ajouté les sonneries du deuxième appel jusqu'à ce que le total ait atteint "5", ensuite il répond avant le répondeur/messagerie vocale (" <i>4" sonneries pour répondre</i>).
3.	Écoutez le message d'alerte.

Remarque : Si le FA-700 est configuré pour répondre à 10 sonneries (*le deuxième choix de COMM. DIP 2*), vous aurez peut être besoin de passer davantage d'appel dans un délai de "3" minutes afin que le FA-700 réponde.

Comment annuler un appel d'alarme sortant

Vous pouvez annuler un appel d'alarme sortant de deux manières :

- À distance, appuyez sur la touche "1" puis sur la touche dièse (#) à tout moment pendant le message d'alerte.
- Localement, appuyez sur la touche ANNULER sur le pavé numérique.

Annuler un appel d'alarme sortant pendant que vous écoutez un message d'alerte

Pour annuler une séquence d'un appel sortant pendant que vous écoutez un message d'alerte, procédez comme suit :

Étape	Mesure
1.	Décrochez le téléphone.
2.	Écoutez le message d'alerte.
3.	Lorsqu'on vous le dit, appuyez sur la touche "1".
4.	Appuyez sur la touche dièse (#) dans un délai d' "1" minute pour annuler l'appel sortant de l'alarme.
5.	Vous pouvez écouter jusqu'à ce que le FA-700 vous dit au revoir ou raccrochez juste le téléphone.

Remarque : Annuler un appel sortant n'annule pas une alarme active (*le voyant d'alarme s'allumera*).

Annuler un appel d'alarme sortant en appelant le FA-700

Pour annuler un appel sortant pendant une alarme active, procédez comme suit :

Étape	Mesure
1.	Effectuez un appel vers le FA-700 (<i>numéro de téléphone à l'emplacement de l'alarme</i>).
2.	Attendez que le FA-700 réponde (<i>5 ou 10 sonneries—commutateur DIP sélectionnable</i>).
3.	Écoutez le message d'alerte.
4.	Appuyez sur la touche "1".
5.	Appuyez sur la touche dièse (#) à tout moment au cours du message pour annuler l'appel sortant de l'alarme.
6.	Raccrochez le téléphone.

Annuler un appel d'alarme sortant avec un répondeur/messagerie vocale sur la même ligne téléphonique

Pour annuler un appel d'alarme sortant, procédez comme suit :

Étape	Mesure
1.	Effectuez un appel vers le FA-700 (<i>numéro de téléphone à l'emplacement de l'alarme</i>).
2.	Laissez le téléphone sonner le nombre de fois souhaité (<i>avant que les autres appareils reliés puissent répondre</i>).
3.	Raccrochez le téléphone.
4.	Appelez le numéro une deuxième fois dans un délai de trois minutes (<i>le FA-700 garde en mémoire toutes les sonneries, et les additionne jusqu'à ce que leur total correspond à un décompte de 5 ou 10 sonneries, puis il répondra</i>).
5.	Écoutez le message d'alerte.
6.	Appuyez sur la touche "1".
7.	Appuyez sur la touche dièse (#) à tout moment au cours du message pour annuler l'appel sortant de l'alarme.
8.	Raccrochez le téléphone.

Vérification de l'état à distance

Pendant un fonctionnement normal, le FA-700 ne répondra pas aux appels entrants. Vous pouvez appeler le FA-700 et obtenir une réponse :

- Si le FA-700 est en mode alarme.
- Si l'appel sortant a été annulé pour une alarme, que la condition d'alarme est toujours présente, le FA-700 répondra et décrira la condition liée à cette dernière.

Dépannage

Problème	Solution
Le voyant d'alimentation n'est pas allumé	<ul style="list-style-type: none"> Le voyant d'alimentation ne s'allume lors d'un fonctionnement sur piles. Si l'extrémité du connecteur cylindrique de l'adaptateur secteur est branché dans une prise d'alimentation sur le FA-700, l'autre extrémité de l'adaptateur est branchée dans une source d'alimentation électrique du secteur. La prise d'alimentation électrique murale est-elle active? Vous ne pouvez pas programmer le numéro de téléphone à appeler lorsque le FA-700 fonctionne uniquement sur les piles. Est-ce que l'adaptateur secteur du FA-700 est branché à l'alimentation secteur? Respectez la procédure "Saisie du numéro de téléphone". Est-ce que le FA-700 est alimenté? Est-ce que le service téléphonique fonctionne correctement (tonalité)? Vérifiez de nouveau si le cordon téléphonique RJ-11 est bien branché dans la prise téléphonique du FA-700, et dans la prise murale. Re-saisir le numéro de téléphone, vérifier l'indicatif régional et si le numéro "1" est nécessaire pour un appel interurbain. Si vous utilisez une carte d'appel téléphonique, vérifiez si la séquence d'appel comprend des pauses, car cela peut être nécessaire pour effectuer un appel.
NE PEUT PAS saisir des numéros de téléphone	<ul style="list-style-type: none"> Le FA-700 ne répondra pas s'il n'y a pas d'événement d'alarme actif en cours. Existe-t-il un répondeur téléphonique ou une messagerie vocale raccordé au FA-700? (consultez la procédure pour "répondeur téléphonique/messagerie vocale en ligne") Vérifiez que le service téléphonique fonctionne à l'emplacement du FA-700.
Le FA-700 ne répond pas lorsque j'appelle	<ul style="list-style-type: none"> Entendez-vous un message d'alerte comme quoi les appels sortants pour l'alarme ont été annulés? Avez-vous appuyé sur la touche d'annulation adéquate au cours de l'événement pour l'alarme : touche numéro "1" key, puis touche dièse "#" dans un délai d'1 minute? Le capteur de température du FA-700 est précis à 3 °F près. Si le FA-700 est trop près d'une fenêtre pendant l'hiver (en dessous de 45 °C) ou orienté directement vers les rayons du soleil (au dessus de 85 °C) ceci peut déclencher une fausse alarme de la part du FA-700. Vérifiez le FA-700 afin de voir si les piles sont installées. Aucune pile installée ne peut déclencher une fausse alarme.
Je ne peux pas annuler les appels sortants de l'alarme; le FA-700 continue d'effectuer des appels	<ul style="list-style-type: none"> Entendez-vous un message d'alerte comme quoi les appels sortants pour l'alarme ont été annulés? Avez-vous appuyé sur la touche d'annulation adéquate au cours de l'événement pour l'alarme : touche numéro "1" key, puis touche dièse "#" dans un délai d'1 minute?
Réception d'une fausse alarme	<ul style="list-style-type: none"> Le capteur de température du FA-700 est précis à 3 °F près. Si le FA-700 est trop près d'une fenêtre pendant l'hiver (en dessous de 45 °C) ou orienté directement vers les rayons du soleil (au dessus de 85 °C) ceci peut déclencher une fausse alarme de la part du FA-700. Vérifiez le FA-700 afin de voir si les piles sont installées. Aucune pile installée ne peut déclencher une fausse alarme.

Information technique

Spécifications techniques

Spécification	Description
Puissance requise	Deux sources d'alimentation : <ul style="list-style-type: none"> Adaptateur secteur de 110V c.a, fournissant 6V c.c., 200mA. 2 piles AA pour alimentation de secours (piles alcalines ou au lithium, non fourni) CHANGEZ LES PILES après une longue coupure de courant du secteur ou annuellement.
Surveillance de la température (commutateur DIP sélectionnable)	Température tombe en dessous de 45 °F (7 °C) ou température monte au dessus de 85 °F (34 °C)
Humidité	95%
Dimensions	5.8in L, 3.5in W, 1.5in H (147.3mm, 88.9mm, 38.1mm)
Indice d'équivalence de sonnerie (REN)	approximativement 0,1B

Énoncé de la FCC

Cet appareil est conforme à l'article 68 des règles de la FCC et aux règlements adoptés par l'ACTA (*American Council for Terminal Attachments*). Au bas de votre FA-700 se trouve une étiquette qui comporte, entre autres indications, le numéro d'enregistrement FCC pour ce produit. Vous devez le fournir à la compagnie de téléphone si elle vous le demande.

Utilisation de la prise et de la fiche

La prise et la fiche utilisées pour brancher cet appareil sur le réseau de câblage et téléphonique doivent être conformes avec l'article 68 des règles de la FCC ainsi qu'avec les exigences adoptées par l'ACTA. Un cordon téléphonique et une fiche modulaire conformes sont fournis avec cet appareil. Ils sont conçus pour être branchés sur une prise modulaire compatible, conforme elle aussi. Voir les instructions d'installation pour les détails.

Indice d'équivalence de sonnerie (IES)

Le numéro IES (indice d'équivalence de sonnerie) sert à déterminer le nombre d'appareils qui peuvent être branchés sur la ligne téléphonique. Un nombre excessif d'appareils branchés peut se traduire par l'absence de sonnerie lors d'un appel entrant. Dans la plupart des régions, le nombre IES total ne doit pas dépasser cinq. Pour être certain du nombre d'appareils pouvant être branchés sur la ligne téléphonique, déterminé par le nombre IES total, contactez la compagnie de téléphone locale. Le numéro IES de ce produit est indiqué ci-dessus et aussi dans l'identifiant FCC produit indiqué sur l'étiquette au dos de votre FA-700.

Interférences sur le réseau téléphonique

Si le FA-700 a un effet nuisible sur le réseau téléphonique, la compagnie de téléphone vous avisera à l'avance que l'interruption temporaire de service pourra être requise. S'il ne lui est pas possible de vous donner un préavis, la compagnie de téléphone avisera le client dans les meilleurs délais. Elle vous avisera également de votre droit de porter plainte au FCC si vous le jugez nécessaire.

La compagnie de téléphone peut apporter des changements à ses installations, équipements, méthodes ou procédures qui peuvent affecter le fonctionnement de l'appareil. Si cela se produit, la

compagnie de téléphone émettra un préavis vous permettant d'apporter les modifications nécessaires pour assurer l'inter interruption de votre service. Si l'équipement a un effet nuisible sur le réseau téléphonique, la compagnie de téléphone peut vous demander de débrancher l'équipement jusqu'à ce que le problème soit résolu.

Si votre domicile comporte de l'équipement d'alarme spécial branché sur la ligne téléphonique, assurez-vous que l'installation de votre FA-700 ne désactive pas votre équipement d'alarme. Si vous avez des questions concernant ce qui pourrait désactiver l'équipement d'alarme, consultez votre compagnie de téléphone ou un installateur professionnel.

Contactez-nous

Pour commander le FA-700, contactez l'un de nos services clientèles représentants à :

Protected Home

1724 Lake Drive West

Chanhassen, MN 55317, États-Unis

952-448-2217

Télé. : 952-448-1606

customerservice@controlproductsinc.com

Où visitez-nous à l'adresse :

www.protectedhome.com

Assistance technique

Si vous avez besoin d'une aide supplémentaire pour l'installation ou l'utilisation de votre FA-700, contactez notre département d'assistance technique au 952-361-4101, du lundi au vendredi, de 8 heures à 17 heures CST. Ou vous pouvez nous envoyer vos questions par courriel à : techsupport@controlproductsinc.com

Garantie

Garant : Concessionnaire, distributeur, détaillant, fabricant

Garantie et recours

Nous croyons en la qualité supérieure de notre produit FA-700. Bien que nous accordions toute l'importance possible à la fabrication et la vérification d'un produit qui fonctionnera correctement, nous ne pouvons garantir qu'il n'y ait jamais d'appareil défectueux ou qu'un appareil soit compatible avec tous les milliers d'appareils de ligne téléphonique et de communication en existence. Pour cette raison, il doit être clair que les Garants ne peuvent assurer vos locaux ou garantir qu'il n'y aura aucun dommage à votre personne ou vos biens si vous utilisez ce Produit. Si les dispositions de notre garantie limitée ne vous conviennent pas, ou si vous n'êtes pas entièrement satisfait de ce Produit, nous vous encourageons à retourner le Produit non utilisé dans les 30 jours de l'achat pour un remboursement intégral. Nous vous remercions de votre compréhension.

Garantie limitée à un an : Protected Home garantit son produit de tout défaut matériel et de main d'oeuvre en utilisation normale pour un an, et n'est pas responsable d'endommagements relatifs ou des coûts d'installation de quelque nature. Advenant que le Produit FA-700 ne soit pas conforme à cette Garantie à un moment quelconque pendant la période d'un an suivant la date d'achat originale, le Garant réparera le défaut et vous le retournera sans frais.

Important

La Garantie est limitée UNIQUEMENT au remplacement du Produit. Par ailleurs, puisque chaque ligne téléphonique est différente, nous vous conseillons fortement de vérifier ce Produit dans son environnement d'installation. Cela doit comprendre une vérification complète, y compris la composition par le Produit aux emplacements désignés et la vérification par une personne que l'appel d'alarme est bien reçu.

Causes d'annulation de la garantie

La garantie sera annulée et ne sera plus effective à partir du moment que le produit est

- Endommagé par des causes externes telles que le feu, l'eau, coupure de courant ou étincelles, foudre, etc., ou n'est pas entretenu de façon raisonnable et nécessaire
- Modifié
- Installé de façon inadéquate
- Réparé par une personne autre que le garant
- Utilisé d'une manière ou dans un but différent de celui prévu initialement

LES OBLIGATIONS DU GARANT AUX TERMES DE CETTE GARANTIE SONT LIMITÉES À LA RÉPARATION OU AU REMPLACEMENT DE CE PRODUIT UNIQUEMENT. LA PRÉSENTE GARANTIE NE COUVRE PAS ET NE PRÉVOIT PAS DE REMBOURSEMENT DE FRAIS POUR LES DOMMAGES DIRECTS OU INDIRECTS.

Obligation du garant

Il doit être clair que les Garants n'assurent pas vos locaux et ne garantissent pas qu'il n'y aura aucun dommage à votre personne ou vos biens si vous utilisez ce produit. Les Garants ne seront en aucun cas tenus responsables des dommages à votre personne ou vos biens, ou à une autre personne ou aux biens de cette personne suite à la vente ou l'utilisation du produit, ou par son non-fonctionnement lors des utilisations pour lesquelles il a été conçu. La responsabilité du Garant, le cas échéant, sera limitée uniquement au coût original du produit. L'utilisation de ce produit est à vos propres risques.

Marche à suivre pour obtenir l'application de la garantie

Advenant que le Produit ne se conforme pas à cette Garantie, le Produit doit être expédié ou livré franco de port au Garant avec la preuve d'achat originale. Si vous n'êtes pas entièrement satisfait de ce Produit ou si les dispositions de la Garantie limitée ne vous conviennent pas, nous vous encourageons à retourner le Produit non utilisé dans les 30 jours de la date de l'achat original avec la preuve d'achat.

Pour retourner le produit à Protected Home

Tous les produits retournés à Control Products, Inc. doivent d'abord recevoir un numéro d'autorisation de retour valide (RGA; Returned Goods Authorization Number) émis par Control Products, Inc., peu importe la raison du retour. Les retours sur garantie ne sont pris en charge que s'ils sont accompagnés d'un numéro RGA. Faites parvenir franco de port les produits sous garantie à Protected Home, 1724 Lake Drive West, Chanhassen, MN 55317, États-Unis. Protected Home procédera, à sa discrétion, à la réparation ou au remplacement sans frais du produit et Les Produits retournés pour un remboursement sont sujets à des frais de retour de 25 %. Les retours en raison d'une erreur de la part du vendeur ne sont pas sujets à ces frais. Tous les retours doivent être accompagnés de la preuve de l'achat original, indiquant la date de l'achat. Le numéro RGA doit être clairement indiqué sur l'extérieur de l'emballage contenant le produit.

Comment demander un numéro RGA

Pour demander un numéro RGA #, appelez Protected Home au 952-448-2217 et demandez le service clientèle. Ne pas obtenir un numéro RGA pourrait occasionner la perte du produit ou des retards importants dans le traitement de votre retour. En outre, les produits sans numéro RGA # inscrit clairement à l'extérieur de l'emballage ne sont pas sous la responsabilité de Protected Home.

Sommaire

Alarme	Prise de téléphone, 12
Annuler, 8, 17	Garantie non valable par, 23
Annuler appel sortant, 18	HS-700
Annuler en appuyant sur touche, 18	Pièce et rôle, 5
Appel en cours, 16	Installation, 15
fonctionnement, 8	Pile
Gestion du HS-700, 8	Durée de vie, 10
Alarme: Appel en cours, 17	Installation, 10
Alimentation	Sécurité, 10
Adaptateur secteur, 5	Type, 11
Pile, 11	Précaution
Prise d'entrée, 6	définition, 4
Raccordement au secteur, 10	Retours des produits, 25
Secours, 7	Retours des produits sous garantie, 25
sources, 8	Sonnerie
Avertissements	Indice d'équivalence (IES), 21
définition, 4	Surveillance de la température, 7, 9
Brancher	Téléphone
diviseur à la prise téléphonique, 12	Adaptateur en T, 12
Commutateur DIP, 5	Carte d'appel et messagerie vocale, 13
Descriptions, 9	Composition
Paramètre du nombre de sonneries, 9	interurbain, 13
Paramètres, 9	Saisie des numéros, 14
Paramètres fréquence des appels	Services, 13
sortants, 9	Supprimer le numéro, 14
Paramètres relatifs à la température, 9	Test, 15
Connecteur	Touche #, 13
Bloc terminal à 3 positions, 6	Touche étoile, 13
Descriptions, 5	Touche pause, 13
Prise téléphonique, 6	Vérifier l'état, 19
utilisation de la prise et de la fiche	Voyant
téléphonique, 21	Alarme, 7
Décompte des sonneries	Alimentation, 7
Horloge, 16	Programmation, 7
Détecteur d'eau	Voyant DEL
Fonctionnement, 5	Descriptions, 7
Rallongement du câble, 11	Voyants DEL, 5
Diviseur	