

GT IRRI-GATOR™

SELF-PRIMING CENTRIFUGAL PUMPS

TABLE OF CONTENTS

SUBJECT	PAGE
Safety Instructions.....	2
Description and Specifications	2
Engineering Data.....	2
Piping - Suction.....	2
- Discharge.....	3
Wiring and Grounding.....	3
Rotation.....	3
Operation	3
Maintenance.....	3
Disassembly.....	4
Reassembly.....	4
Electrical Data	4
Trouble Shooting.....	4
Electrical Data	5
Repair Parts.....	5
Limited Warranty	8

MODELS AND OWNER'S INFORMATION

Single Phase	Model Number: _____
GT07	
GT10	Serial Number: _____
GT15	
GT20	Dealer: _____
GT30	

Three Phase	Dealer Telephone: _____
GT073	
GT103	
GT153	Purchase Date: _____
GT203	
GT303	Installation Date: _____

SAFETY INSTRUCTIONS

TO AVOID SERIOUS OR FATAL PERSONAL INJURY OR MAJOR PROPERTY DAMAGE, READ AND FOLLOW ALL SAFETY INSTRUCTIONS IN MANUAL AND ON PUMP.



This is a **SAFETY ALERT SYMBOL**. When you see this symbol on the pump or in the manual, look for one of the following signal words and be alert to the potential for personal injury or property damage.

⚠ DANGER

Warns of hazards that **WILL** cause serious personal injury, death or major property damage.

⚠ WARNING

Warns of hazards that **CAN** cause serious personal injury, death or major property damage.

⚠ CAUTION

Warns of hazards that **CAN** cause personal injury or property damage.

NOTICE: Indicates special instructions which are very important and must be followed.

THIS MANUAL IS INTENDED TO ASSIST IN THE INSTALLATION AND OPERATION OF THIS UNIT AND MUST BE KEPT WITH THE PUMP.

THOROUGHLY REVIEW ALL INSTRUCTIONS AND WARNINGS PRIOR TO PERFORMING ANY WORK ON THIS PUMP.

MAINTAIN ALL SAFETY DECALS.

NOTICE: INSPECT UNIT FOR DAMAGE AND REPORT ALL DAMAGE TO THE CARRIER OR DEALER IMMEDIATELY. DO NOT USE PUMP IF DAMAGE IS SUSPECTED.

⚠ WARNING



Hazardous Fluids
can cause fire,
burns or death.

UNITS NOT DESIGNED FOR USE WITH HAZARDOUS LIQUIDS OR FLAMMABLE GASES.

⚠ WARNING

This product can expose you to chemicals including Lead, which is known to the State of California to cause cancer and birth defects or other reproductive harm. For more information go to: www.P65Warnings.ca.gov.

DESCRIPTION AND SPECIFICATIONS

- The Model GT embraces a line of end suction, single stage, self-priming centrifugal pumps for lawn sprinkling, HVAC systems, and general water transfer.
- Casing is cast iron construction with tapped openings provided for vacuum gauge and casing drain.
- Impellers are enclosed design, glass filled Noryl™, threaded directly on motor shaft.
- Standard motors are NEMA standard, 3500 RPM, open drip proof enclosure.

ENGINEERING DATA

Model	HP	Ph/Hz	Suction	Discharge	Wt. lbs.
GT07	¾	1/60	1½" NPT	1½" NPT	48
GT10	1				52
GT15	1½				60
GT20	2				65
GT30	3				76
GT073	¾	3/60	1½" NPT	1½" NPT	49
GT103	1				52
GT153	1½				55
GT203	2				69
GT303	3				71

- Maximum Liquid Temperature: 160°F (71°C)
- Maximum Starts per Hour: 20 - evenly distributed

PIPING

- Pump **MUST** be installed horizontally on a solid flat surface, with discharge on top.
- Allow adequate space for servicing and ventilation. Protect the unit from weather and water damage due to rain or flooding or freezing temperatures.
- Piping should be no smaller than the suction and discharge connections and kept short as possible, avoiding unnecessary fittings to minimize friction losses.
- All piping **MUST** be independently supported and **MUST NOT** place any piping loads on the pump.

NOTICE: DO NOT FORCE PIPING INTO PLACE AT PUMP SUCTION AND DISCHARGE CONNECTIONS.

- All pipe joints **MUST** be airtight.
- The use of Teflon™ tape, or equivalent, is recommended for **ALL** pipe joints.

SUCTION

- Total suction lift, including elevation and pipe friction loss, should not exceed 25 feet of head.
- Install an airtight union in the suction line close to the pump. See Figure 1.
- Installation of a foot valve at liquid source is recommended.

NOTICE: FOR INSTALLATIONS WITH LONG SUCTION PIPING, BOTH A FOOT VALVE AND A CHECK VALVE ARE RECOMMENDED.

- To avoid air pockets, no part of the piping should be above the pump suction connection and piping should slope upward from liquid source.
- For installations with long suction piping, fill the suction pipe with water before connecting to pump.

DISCHARGE

- Install a tee at the discharge connection of the pump. The top opening of the tee is required for initial priming. See Figure 1.

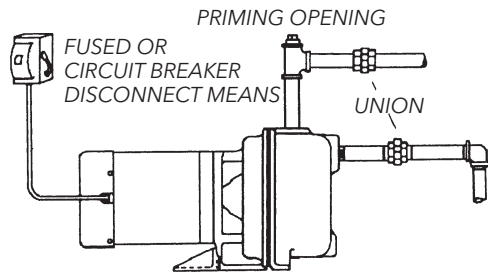


Figure 1

WIRING AND GROUNDING



- ! Install, ground and wire according to local and National Electrical Code requirements.
- ! Install an all leg electrical power disconnect switch near the pump.
- ! Disconnect electrical power before installing or servicing pump.

! Electrical supply **MUST** match pump's nameplate specification. Incorrect voltage can cause fire or damage to the motor and voids warranty.

! Motors without built-in protection **MUST** be provided with contactors and thermal overloads for single phase motors, or starters with heaters for three phase motors. See motor nameplate.

- Follow motor manufacturer's wiring diagram on the motor nameplate or terminal cover carefully.
- Use only copper wire to motor and ground. The ground wire **MUST** be at least as large as the wire to the motor. Wires should be color coded for ease of maintenance.

RECOMMENDED MINIMUM WIRE SIZE

HP	Distance from Service Entrance to Motor							
	50 Ft. (15 m)		100 Ft. (30 m)		150 Ft. (46 m)		200 Ft. (61 m)	
	115 V	230 V	115 V	230 V	115 V	230 V	115 V	230 V
¾	12	14	10	14	8	14	6	12
1	12	14	8	14	8	12	6	12
1½	10	14	8	14	-	12	-	10
2	10	14	8	14	-	12	-	10
3	-	12	-	12	-	10	-	10



FAILURE TO PERMANENTLY GROUND THE PUMP, MOTOR AND CONTROLS BEFORE CONNECTING TO ELECTRICAL POWER CAN CAUSE SHOCK, BURNS, OR DEATH.

ROTATION

NOTICE: INCORRECT ROTATION MAY CAUSE DAMAGE TO THE PUMP AND VOIDS THE WARRANTY.

- Correct rotation is right hand, **CLOCKWISE** when viewed from the motor end.

- Three phase unit rotation may be checked by removing motor end cap or plug and observing rotation of motor shaft. To reverse rotation, reverse any two of the three motor leads.

OPERATION



OPERATION WITHOUT PRIME, OR AGAINST A CLOSED DISCHARGE VALVE, CAN GENERATE HOT WATER OR STEAM CAUSING INJURY OR PROPERTY DAMAGE.

NOTICE: DO NOT OPERATE PUMP WITHOUT PRIME OR SEAL DAMAGE WILL RESULT.

- Prime pump by filling pump and piping through opening in top of tee with clean water. See Figure 1.
- Install pipe plug in top of tee using Teflon™ tape or equivalent.

NOTICE: IF PUMP IS DRAINED OR SHUT OFF DURING PRIMING PERIOD, CASING MUST BE REFILLED BEFORE RESTARTING PUMP.

- Start the pump and partially open discharge valve and wait for system pressure to stabilize. If system pressure is surging, or prolonged pressure drop is experienced, the system may not be completely primed.

MAINTENANCE



FAILURE TO DISCONNECT ELECTRICAL POWER BEFORE ATTEMPTING ANY MAINTENANCE CAN CAUSE SHOCK, BURNS OR DEATH.

- No lubrication is required on pump. For motor lubrication, refer to and follow manufacturer's instructions.

SEASONAL SERVICE

- To **REMOVE** pump from service, remove all drain plugs and drain all piping.
- To **RETURN** pump to service, replace all drain plugs using Teflon™ tape or equivalent.
- Reconnect suction line if removed, examine union and repair if necessary.
- Reprime and operate pump following all instructions and warnings in the "**OPERATION**" section of manual.

DISASSEMBLY



FAILURE TO DISCONNECT ELECTRICAL POWER BEFORE ATTEMPTING ANY MAINTENANCE CAN CAUSE SHOCK, BURNS OR DEATH.

1. Remove foot bolt (10).
2. Remove casing bolts (12).
3. Remove back pull-out assembly from casing (2).
4. Remove diffuser seal ring (3) and diaphragm (4).
5. Remove diffuser screws (5) from adapter (11).
6. Remove motor end plug or cover.
7. Restrain motor shaft from rotation by utilization of the screwdriver slot, or $\frac{7}{16}$ " shaft flats, accessible at the motor shaft end.
8. Remove impeller (7), turning **COUNTER-CLOCKWISE**.
9. Using two screwdrivers, pry off rotary section of mechanical seal (8). Discard. See Figure 2.
10. Remove motor adapter bolts (12) and remove motor adapter from motor.
11. Push stationary seat of mechanical seal out of motor adapter. Discard seal seat.

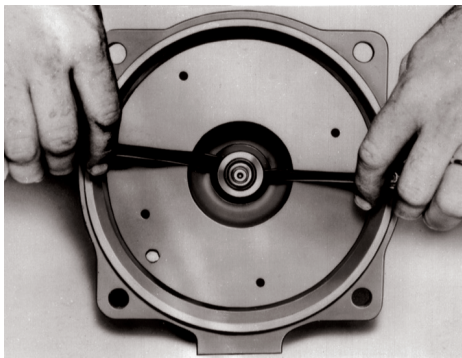


Figure 2

REASSEMBLY

- Clean and inspect all parts before reassembly.
1. Inspect seal seat bore for wear and debris, clean and replace as necessary.

NOTICE: MECHANICAL SEAL MUST BE REPLACED WHENEVER SEAL HAS BEEN REMOVED. FOLLOW SEAL MANUFACTURER'S INSTRUCTIONS CAREFULLY.

2. If necessary, seat ring may be lubricated with water or glycerin to aid in installation. **DO NOT** contaminate the seal face. Fully and squarely install the stationary seat into the adapter. With a clean, lint free cloth, **CAREFULLY** wipe the seat face clean of debris. **DO NOT** damage the seal seat face.
3. Reinstall the motor adapter on the motor, making sure that the motor shaft does not dislocate or damage the stationary seal seat.

4. Fully and squarely install the seal rotary assembly against the stationary seat. Be sure rotating seal face does not drop out of holding collar and **DO NOT** damage seal face.
5. On three phase units, impeller **MUST** be installed with LOCTITE® 243 (blue). Hold shaft from rotating, as explained in the "**DISASSEMBLY**" section of the manual, and install impeller by turning **CLOCKWISE** until tight against motor shaft shoulder.
6. Replace diffuser. Align to prevent impeller rub.
7. Install new diaphragm and new diffuser seal ring.
8. Install motor and liquid end into casing.
9. Check impeller for binding by rotating the motor shaft. If binding occurs, loosen casing bolts, readjust diffuser until impeller hub turns freely. Retighten casing bolts in a crossing pattern.
10. Replace all drain plugs and motor end components.
11. Reprime and operate according to instructions in the "**OPERATION**" section of this manual.

TROUBLESHOOTING



FAILURE TO DISCONNECT ELECTRICAL POWER BEFORE ATTEMPTING ANY MAINTENANCE CAN CAUSE SHOCK, BURNS OR DEATH.

SYMPTOM

Motor Not Running:

See Probable Causes 1 through 5.

Little or No Water Delivered:

See Probable Causes 3, 4, 6 through 12, 15.

Excessive Noise and Vibration:

See Probable Causes 3, 6, 7, 10, 12, 13, 14.

PROBABLE CAUSES

1. Motor thermal protector tripped.
2. Open circuit breaker or blown fuse.
3. Impeller binding.
4. Motor improperly wired.
5. Defective motor.
6. Pump is not primed, air or gases in pumpage.
7. Discharge, suction plugged or valve closed.
8. Incorrect rotation. (3 phase only)
9. Low voltage or phase loss.
10. Impeller worn or plugged.
11. System head too high.
12. NPSHA too low - excessive suction lift or loss.
13. Discharge head too low - excessive flow rates.
14. Pump, motor or piping loose.
15. End of suction piping not submerged.

ELECTRICAL DATA

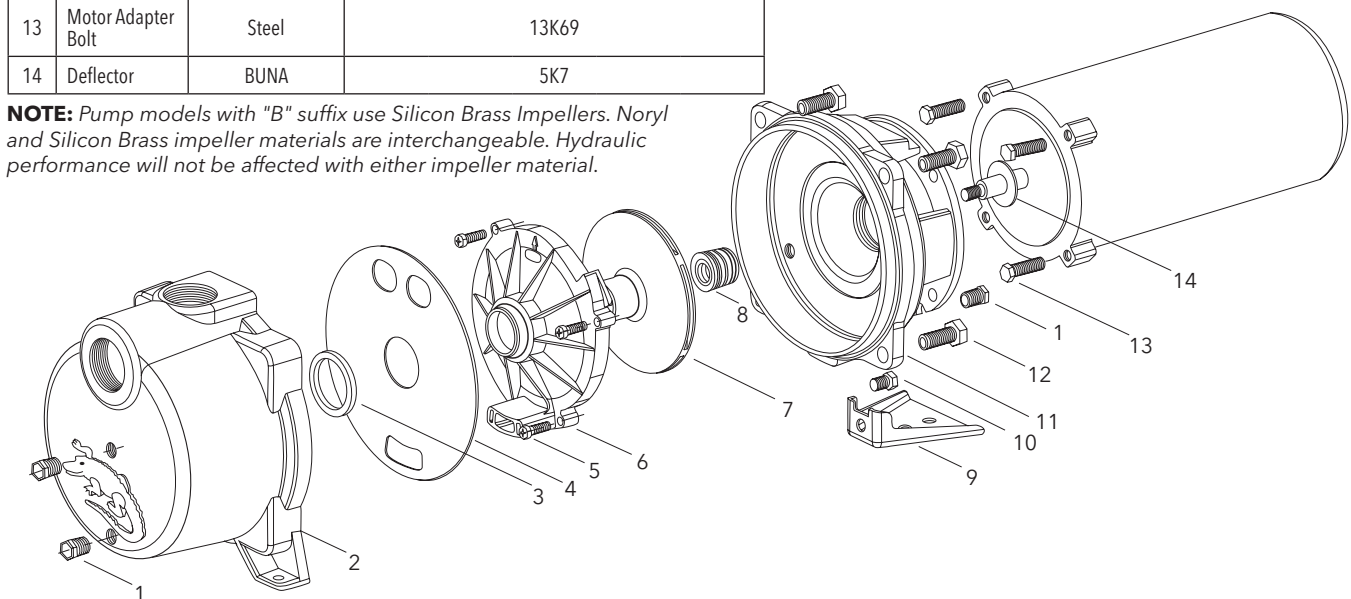
Model	HP	Voltage	Full Load Amps	Fuse	Circuit Breaker		Ph/Hz
					Standard	Delay	
GT07	¾	115/230	13.8/6.9	45/25	45/25	25/15	1/60
GT10	1	115/230	16/8	50/25	50/25	30/15	1/60
GT15	1½	115/230	20/10	60/30	60/35	35/20	1/60
GT20	2	230	13.9	40	40	25	1/60
GT30	3	230	17	60	60	30	1/60
GT073	¾	208-230/460	3.1-2.8/1.4	10-10/10	10-10/10	10-10/10	3/60
GT103	1	208-230/460	4-3.6/1.8	15-15/10	15-15/10	15-10/10	3/60
GT153	1½	208-230/460	5.7-5.2/2.6	20-20/10	20-20/10	15-10/10	3/60
GT203	2	208-230/460	7.5-6.8/3.4	25-25/15	25-25/15	15-15/10	3/60
GT303	3	208-230/460	10.6-9.6/4.8	35-30/15	35-30/15	20-20/10	3/60

REPAIR PARTS LIST

Item No.	Description	Material	Part No.				
			GT07/ GT073	GT10/ GT103	GT15/ GT153	GT20/ GT203	GT30/ GT303
1	¼" NPT Pipe Plug	Plated Steel	6K2				
2	Casing	Cast Iron	1K324				
3	Guidevane Seal Ring	BUNA	5K555				
4	Diaphragm	Nitrile	5K522				
5	Fillister Head Machine Screw	Stainless Steel	13K4	13K4	13K2	13K2	13K2
6	Guidevane	Lexan® 10% G.F.	3K72	3K71	3K70	3K70	3K69
7	Impeller	Noryl® 20% G.F.	2K715	2K716	2K714	2K713	2K712
		Silicon Brass	2K1262	2K1263	2K1264	2K1265	2K1266
8	Mechanical Seal	Carbon/Ceramic/ BUNA	10K258				
9	Pump Foot (old style)	Steel	4K408		15K60		
9B	Tall Pump Base with Rubber Channel Replaces 15K60 or 4K408	Steel	15K86				
10	Pump Foot Bolt (use with 4K408 only)	Steel	13K252				
11	Motor Adapter	Cast Iron	1K310				
12	Casing Bolt	Steel	13K102 (4 required)				
13	Motor Adapter Bolt	Steel	13K69				
14	Deflector	BUNA	5K7				

Motor Codes		
HP	1Ø - ODP	3Ø - ODP
.75	J05853R	C05873
1.0	J06853R	C06873
1.5	J07858R	C07878
2.0	J08854R	C08874
3.0	J09853R	C09874

NOTE: Pump models with "B" suffix use Silicon Brass Impellers. Noryl and Silicon Brass impeller materials are interchangeable. Hydraulic performance will not be affected with either impeller material.



NOTES

COMMERCIAL WARRANTY

For goods sold to commercial buyers, Seller warrants the goods sold to Buyer hereunder (with the exception of membranes, seals, gaskets, elastomer materials, coatings and other "wear parts" or consumables all of which are not warranted except as otherwise provided in the quotation or sales form) will be (i) be built in accordance with the specifications referred to in the quotation or sales form, if such specifications are expressly made a part of this Agreement, and (ii) free from defects in material and workmanship for a period of one (1) year from the date of installation or twelve (12) months from the date of shipment (which date of shipment shall not be greater than eighteen (18) months after receipt of notice that the goods are ready to ship), whichever shall occur first, unless a longer period is specified in the product documentation (the "Warranty").

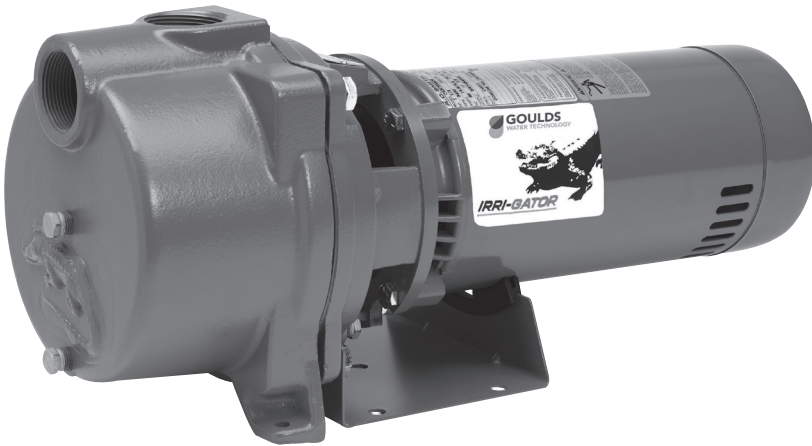
Except as otherwise required by law, Seller shall, at its option and at no cost to Buyer, either repair or replace any product which fails to conform with the Warranty provided Buyer gives written notice to Seller of any defects in material or workmanship within ten (10) days of the date when any defects or non-conformance are first manifest. Under either repair or replacement option, Seller shall not be obligated to remove or pay for the removal of the defective product or install or pay for the installation of the replaced or repaired product and Buyer shall be responsible for all other costs, including, but not limited to, service costs, shipping fees and expenses. Seller shall have sole discretion as to the method or means of repair or replacement. Buyer's failure to comply with Seller's repair or replacement directions shall terminate Seller's obligations under this Warranty and render the Warranty void. Any parts repaired or replaced under the Warranty are warranted only for the balance of the warranty period on the parts that were repaired or replaced. Seller shall have no warranty obligations to Buyer with respect to any product or parts of a product that have been: (a) repaired by third parties other than Seller or without Seller's written approval; (b) subject to misuse, misapplication, neglect, alteration, accident, or physical damage; (c) used in a manner contrary to Seller's instructions for installation, operation and maintenance; (d) damaged from ordinary wear and tear, corrosion, or chemical attack; (e) damaged due to abnormal conditions, vibration, failure to properly prime, or operation without flow; (f) damaged due to a defective power supply or improper electrical protection; or (g) damaged resulting from the use of accessory equipment not sold or approved by Seller. In any case of products not manufactured by Seller, there is no warranty from Seller; however, Seller will extend to Buyer any warranty received from Seller's supplier of such products.

THE FOREGOING WARRANTY IS EXCLUSIVE AND IN LIEU OF ANY AND ALL OTHER EXPRESS OR IMPLIED WARRANTIES, GUARANTEES, CONDITIONS OR TERMS OF WHATEVER NATURE RELATING TO THE GOODS PROVIDED HEREUNDER, INCLUDING WITHOUT LIMITATION ANY IMPLIED WARRANTIES OF MERCHANTABILITY AND FITNESS FOR A PARTICULAR PURPOSE, WHICH ARE HEREBY EXPRESSLY DISCLAIMED AND EXCLUDED. EXCEPT AS OTHERWISE REQUIRED BY LAW, BUYER'S EXCLUSIVE REMEDY AND SELLER'S AGGREGATE LIABILITY FOR BREACH OF ANY OF THE FOREGOING WARRANTIES ARE LIMITED TO REPAIRING OR REPLACING THE PRODUCT AND SHALL IN ALL CASES BE LIMITED TO THE AMOUNT PAID BY THE BUYER FOR THE DEFECTIVE PRODUCT. IN NO EVENT SHALL SELLER BE LIABLE FOR ANY OTHER FORM OF DAMAGES, WHETHER DIRECT, INDIRECT, LIQUIDATED, INCIDENTAL, CONSEQUENTIAL, PUNITIVE, EXEMPLARY OR SPECIAL DAMAGES, INCLUDING BUT NOT LIMITED TO LOSS OF PROFIT, LOSS OF ANTICIPATED SAVINGS OR REVENUE, LOSS OF INCOME, LOSS OF BUSINESS, LOSS OF PRODUCTION, LOSS OF OPPORTUNITY OR LOSS OF REPUTATION.



Xylem Inc.
2881 East Bayard Street Ext., Suite A
Seneca Falls, NY 13148
Phone: (866) 325-4210
Fax: (888) 322-5877
www.xylem.com/goulds

Goulds is a registered trademark of Goulds Pumps, Inc. and is used under license.
© 2022 Xylem Inc. IM049 Revision Number 10 June 2022



GT IRRI-GATOR™

BOMBAS CENTRÍFUGAS AUTOCEBANTES

INSTRUCCIONES DE INSTALACIÓN, OPERACIÓN Y MANTENIMIENTO

ÍNDICE

TEMA	PÁGINA
Instrucciones de seguridad	10
Descripción y especificaciones.....	10
Datos de ingeniería	10
Tuberías Succión.....	10
Descarga	11
Alambrado y conexión a tierra.....	11
Rotación	11
Operación.....	11
Mantenimiento.....	11
Desensamblaje	12
Reensamblaje.....	12
Identificación y resolución de problemas	13
Datos eléctricos.....	14
Lista de partes de repuesto.....	14
Garantía limitada	16

MODELOS E INFORMACIÓN DEL PROPIETARIO

Monofásica	Número de Modelo: _____
GT07	
GT10	Número de Serie: _____
GT15	
GT20	Agente: _____
GT30	_____
Trifásica	
GT073	No. telefónico del agente: _____
GT103	
GT153	Fecha de compra: _____
GT203	
GT303	Fecha de instalación: _____

INSTRUCCIONES DE SEGURIDAD

PARA EVITAR LESIONES PERSONALES GRAVES O AÚN FATALES Y SERIOS DAÑOS MATERIALES, LEA Y SIGA TODAS LAS INSTRUCCIONES DE SEGURIDAD EN EL MANUAL Y EN LA BOMBA.



Éste es un **SÍMBOLO DE ALERTA DE SEGURIDAD**. Cuando vea este símbolo en la bomba o en el manual, busque una de las siguientes palabras de señal y esté alerta a la probabilidad de lesiones personales o daños materiales.



Advierte los peligros que **CAUSARÁN** graves lesiones personales, la muerte o daños materiales mayores.



Advierte los peligros que **PUEDEN** causar graves lesiones personales, la muerte o daños materiales mayores.



Advierte los peligros que **PUEDEN** causar lesiones personales o daños materiales.

AVISO: Indica instrucciones especiales que son muy importantes y que se deben seguir.

ESTE MANUAL HA SIDO CREADO COMO UNA GUÍA PARA LA INSTALACIÓN Y OPERACIÓN DE ESTA UNIDAD Y SE DEBE CONSERVAR JUNTO A LA BOMBA.

EXAMINE BIEN TODAS LAS INSTRUCCIONES Y ADVERTENCIAS ANTES DE REALIZAR CUALQUIER TRABAJO EN ESTA BOMBA.

MANTENGA TODAS LAS CALCOMANÍAS DE SEGURIDAD.

AVISO: INSPECCIONE LA UNIDAD PARA VER SI TIENE DAÑOS Y NOTIFIQUE INMEDIATAMENTE TODO DAÑO AL TRANSPORTISTA O AL AGENTE. NO USE LA BOMBA SI SOSPECHA QUE ESTÁ DAÑADA.



LAS UNIDADES NO ESTÁN DISEÑADAS PARA EL USO CON LÍQUIDOS PELIGROSOS O GASES INFLAMABLES.



Este puede exponerlo a químicos, incluido el plomo, reconocidos por el estado de California por provocar cáncer y defectos del nacimiento u otros daños reproductivos. Para obtener más información, acceda a: www.P65Warnings.ca.gov.

DESCRIPCIÓN Y ESPECIFICACIONES

- El Modelo GT incluye una línea de bombas centrífugas de autocebado, de una etapa, de extremo de succión para aspersores de césped, sistemas de calefacción, ventilación y aire acondicionado y para la transferencia general de agua.
- La carcasa es de hierro fundido con orificios roscados para el medidor de vacío y el drenaje de la carcasa.
- Los impulsores son de diseño encerrado, Noryl™ lleno con vidrio, roscados directamente sobre el eje del motor.

- Los motores estándar tienen una cubierta NEMA estándar a prueba de explosión y operan a una velocidad de 3500 RPM.

DATOS DE INGENIERÍA

Modelo	HP	Fase/Hz	Succión	Descarga	Peso libras
GT07	¾	1/60	1½" NPT	1½" NPT	48
GT10	1				52
GT15	1½				60
GT20	2				65
GT30	3				76
GT073	¾	3/60	1½" NPT	1½" NPT	49
GT103	1				52
GT153	1½				55
GT203	2				69
GT303	3				69
					71

- Maximum Liquid Temperature: 160°F (71°C)
- Temperatura máxima del líquido: 160°F (71°C)
- Arranques máximos por hora: 20 - distribuidos uniformemente

TUBERÍAS

- La bomba **DEBE** instalarse horizontal sobre una superficie plana sólida, con la descarga en el extremo superior.
- Deje un espacio adecuado para el mantenimiento y la ventilación. Proteja la unidad contra los daños causados por el mal tiempo y el agua de lluvia, inundación o las temperaturas bajo cero.
- La tubería no debe ser más pequeña que las conexiones de succión y descarga y debe mantenerse lo más corta posible, evitando los accesorios innecesarios para reducir al mínimo las pérdidas por fricción.
- Todas las tuberías **DEBEN** estar apoyadas en forma independiente y **NO DEBE** aplicarse ninguna carga de las tuberías sobre la bomba.

AVISO: NO FUERCE LA TUBERÍA A SU POSICIÓN EN LAS CONEXIONES DE SUCCIÓN O DESCARGA DE LA BOMBA.

- Todas las juntas de tuberías **DEBEN** ser herméticas.
- Se recomienda usar cinta Teflon™ o su equivalente en **TODAS** las juntas de tuberías.

SUCCIÓN

- La elevación de succión total, incluso la elevación y la pérdida por fricción del tubo, no debe sobrepasar 25 pies de altura.
- Instale una unión hermética en la línea de succión cerca de la bomba. Ver la figura 1.
- Se recomienda instalar una válvula de aspiración en la fuente de líquido.

AVISO: PARA LAS INSTALACIONES CON TUBERÍA DE SUCCIÓN LARGA, SE RECOMIENDA INSTALAR UNA VÁLVULA DE ASPIRACIÓN Y UNA VÁLVULA DE RETENCIÓN.

- Para evitar las bolsas de aire, ninguna parte de la tubería debe estar sobre la conexión de succión de la bomba y la tubería debe tener una inclinación hacia arriba de la fuente de líquido.

- Para instalaciones con tubería de succión larga, llene la tubería de succión con agua antes de conectarla a la bomba.

DESCARGA

- Instale una T en la conexión de descarga de la bomba. Se requiere la apertura del extremo superior de la T para el cebado inicial. Ver la figura 1.

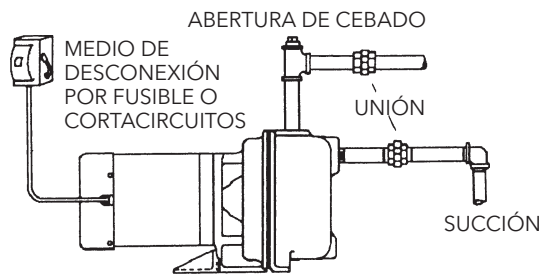


Figura 1

ALAMBRADO Y CONEXIÓN A TIERRA



- ⚠ Instale, conecte a tierra y alambre de acuerdo con los requerimientos del Código Eléctrico Nacional o local.
- ⚠ Instale un desconectador de todos los circuitos, cerca de la bomba.
- ⚠ Desconecte la corriente eléctrica antes de instalar o dar servicio a la bomba.

- ⚠ El suministro eléctrico **DEBE** coincidir con la especificación de la placa del fabricante de la bomba. La tensión incorrecta puede causar incendios, daños al motor y anular la garantía.
- ⚠ Los motores sin protección incorporada **DEBEN** estar equipados con contactadores y sobrecargas térmicas para motores monofásicos, o arrancadores con calentadores para motores trifásicos. Ver la placa del fabricante del motor.

- Siga cuidadosamente el diagrama de alambrado del fabricante del motor en placa o en la cubierta de los terminales del motor.
- Use únicamente alambre de cobre para el motor y la conexión a tierra. El alambre de conexión a tierra **DEBE** ser al menos del mismo tamaño que el alambre al motor. Los alambres deben codificarse con colores para facilitar el mantenimiento.

TAMAÑO MÍNIMO RECOMENDADO DEL ALAMBRE

HP	Distancia desde la entrada de servicio al motor							
	50 Pies (15 m)		100 Pies (30 m)		150 Pies (46 m)		200 Pies (61 m)	
	115 V	230 V	115 V	230 V	115 V	230 V	115 V	230 V
3/4	12	14	10	14	8	14	6	12
1	12	14	8	14	8	12	6	12
1 1/2	10	14	8	14	-	12	-	10
2	10	14	8	14	-	12	-	10
3	-	12	-	12	-	10	-	10



LA FALLA DE CONECTAR A TIERRA PERMANENTEMENTE LA BOMBA, EL MOTOR Y LOS CONTROLES, ANTES DE CONECTAR LA CORRIENTE ELÉCTRICA, PUEDE CAUSAR CHOQUES, QUEMADURAS O LA MUERTE.

ROTACIÓN

AVISO: LA ROTACIÓN INCORRECTA PUEDE CAUSAR DAÑO A LA BOMBA Y ANULAR LA GARANTÍA.

- La rotación correcta es hacia la derecha, **EN EL SENTIDO DE LAS AGUJAS DEL RELOJ** cuando se mira desde el extremo del motor.
- La rotación trifásica puede verificarse quitando la tapa o tapón del extremo del motor y observando la rotación del eje del motor. Para invertir la rotación, intercambie dos conductores eléctricos cualesquiera de los tres conductores del motor.

OPERACIÓN



LA OPERACIÓN SIN CEBAR O CON UNA VÁLVULA DE DESCARGA CERRADA PUEDE GENERAR AGUA CALIENTE O VAPOR QUE PUEDE CAUSAR LESIONES O DAÑOS MATERIALES.

AVISO: NO OPERE LA BOMBA SIN CEBARLA O SE DAÑARÁ EL SELLO.

- Ceba la bomba llenando con agua limpia la bomba y la tubería a través del orificio en el extremo superior de la T. Ver la figura 1.
- Instale el tapón del tubo en el extremo superior de la T empleando cinta Teflon™ o su equivalente.

AVISO: SI LA BOMBA SE DRENA O SE APAGA DURANTE EL PERÍODO DE CEBADO, HAY QUE LLENAR NUEVAMENTE LA CARCASA ANTES DE REARRANCAR LA BOMBA.

- Arranque la bomba y abra parcialmente la válvula de descarga y espere a que la presión del sistema se estabilice. Si la presión del sistema varía repentinamente o se observa una caída de presión prolongada, no se ha completado el cebado del sistema.

MANTENIMIENTO



LA FALLA DE DESCONECTAR LA CORRIENTE ELÉCTRICA ANTES DE INTENTAR CUALQUIER MANTENIMIENTO, PUEDE CAUSAR CHOQUES, QUEMADURAS O LA MUERTE.

- La bomba no requiere lubricación. Consulte y siga las instrucciones del fabricante para lubricar el motor.

SERVICIO DE TEMPORADA

- Para **RETIRAR** la bomba del servicio, quite todos los tapones de drenaje y drene todas las tuberías.

- Para **PONER OTRA VEZ** en servicio la bomba, reinstale todos los tapones de drenaje empleando una cinta Teflon™ o su equivalente.
- Reconecte la línea de succión si se había desconectado, examine la unión y repárela si es necesario.
- Vuelva a cebar y opere la bomba siguiendo todas las instrucciones y advertencias en la sección de **"OPERACIÓN"** del manual.

DESENSAMBLAJE



LA FALLA DE DESCONECTAR LA CORRIENTE ELÉCTRICA ANTES DE INTENTAR CUALQUIER MANTENIMIENTO, PUEDE CAUSAR CHOQUES, QUEMADURAS O LA MUERTE.

Un voltaje peligroso puede producir golpes eléctricos, quemaduras o la muerte.

1. Quite el perno de la base (10).
2. Quite los pernos de la carcasa (12).
3. Retire el conjunto de desmontaje trasero de la carcasa (2).
4. Retire el anillo de sello (3) y el diafragma (4) del difusor.
5. Quite los tornillos (5) del adaptador (11) del difusor.
6. Quite el tapón o la cubierta del extremo del motor.
7. Utilice la ranura para destornillador o las secciones planas del eje de 7-16 pulg. accesibles en el extremo del eje del motor para restringir la rotación de dicho eje.
8. Retire el impulsor (7) girando en **SENTIDO CONTRARIO A LAS AGUJAS DEL RELOJ**.
9. Con dos destornilladores retire la sección giratoria del sello mecánico (8). Deséchela. Ver la figura 2.
10. Quite los pernos del adaptador del motor (12) y retire el adaptador.
11. Empuje el asiento estacionario del sello mecánico fuera del adaptador del motor. Deseche el asiento del sello.

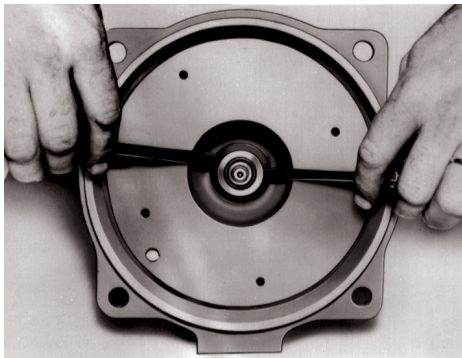


Figura 2

REENSAMBLAJE

- Limpie e inspeccione todas las partes antes de reensamblar.
1. Inspeccione el agujero del asiento del sello para ver si está gastado o sucio, límpielo si es necesario.
- AVISO: ES NECESARIO REEMPLAZAR EL SELLO MECÁNICO CADA VEZ QUE SE HAYA RETIRADO. SIGA CUIDADOSAMENTE LAS INSTRUCCIONES DEL FABRICANTE DEL SELLO.**
2. Si es necesario, el anillo del asiento puede lubricarse con agua o glicerina para facilitar la instalación. **NO** contamine la cara del sello. Instale el asiento estacionario en forma completa y encuadrada en el adaptador. Con un paño limpio y sin pelusas, quite **CUIDADOSAMENTE** todos los residuos de la cara del asiento. **NO** dañe la cara del asiento del sello.
 3. Reinstale el adaptador del motor sobre el motor, asegurándose de que el eje del motor no desplace o dañe el asiento del sello estacionario.
 4. Instale el conjunto giratorio del sello en forma completa y encuadrada contra el asiento estacionario. Asegúrese de que la cara del sello giratorio no se caiga fuera del collar de retención y **NO** dañe la cara del sello.
 5. En las unidades trifásicas, el impulsor **DEBE** instalarse con LOCTITE® 243 (azul). Sujete el eje para que no gire, tal como se explicó en la sección de **"DESMONTAJE"** del manual, e instale el impulsor girándolo en **SENTIDO DE LAS AGUJAS DEL RELOJ** hasta que quede ajustado contra el reborde del eje del motor.
 6. Reinstale el difusor. Alinéelo para evitar que roce con el impulsor.
 7. Instale el nuevo diafragma y el nuevo anillo del sello del difusor.
 8. Instale el motor y el extremo del líquido en la carcasa.
 9. Revise el impulsor para ver si roza girando el eje del motor. Si hay roce, afloje los pernos de la carcasa, reajuste el difusor hasta que el cubo del impulsor gire libremente. Apriete nuevamente los pernos de la carcasa en configuración cruzada.
 10. Reinstale todos los tapones de drenaje y los componentes del extremo del motor.
 11. Ceba nuevamente y opere de acuerdo con las instrucciones en la sección de **"OPERACIÓN"** de este manual.

IDENTIFICACIÓN Y RESOLUCIÓN DE PROBLEMAS



LA FALLA DE DESCONECTAR LA CORRIENTE ELÉCTRICA ANTES DE INTENTAR CUALQUIER MANTENIMIENTO, PUEDE CAUSAR CHOQUES, QUEMADURAS O LA MUERTE.

SÍNTOMA

El motor no funciona:

Ver las causas probables 1 a 5.

Se entrega poco o nada de agua:

Ver las causas probables 3, 4, 6 a 12, 15.

Ruido y vibración excesivos:

Ver las causas probables 3, 6, 7, 10, 12, 13, 14.

CAUSAS PROBABLES

1. Se disparó el protector térmico del motor.
2. Cortacircuitos abierto o fusible quemado.
3. Roce del impulsor.
4. Cableado incorrecto del motor.
5. Motor defectuoso.
6. La bomba no está cebada, hay aire o gases en el agua bombeada.
7. Descarga o succión taponada o válvula cerrada.
8. Rotación incorrecta. (motor trifásico solamente)
9. Baja tensión o pérdida de fase.
10. Impulsor gastado o taponado.
11. Carga del sistema muy alta.
12. NPSHA demasiado baja - elevación o pérdida de succión excesiva.
13. Carga de descarga demasiado baja - velocidades de flujo excesivas.
14. La bomba, el motor o la tubería está suelta.
15. El extremo de la tubería de succión no está sumergido.

DATOS ELÉCTRICOS

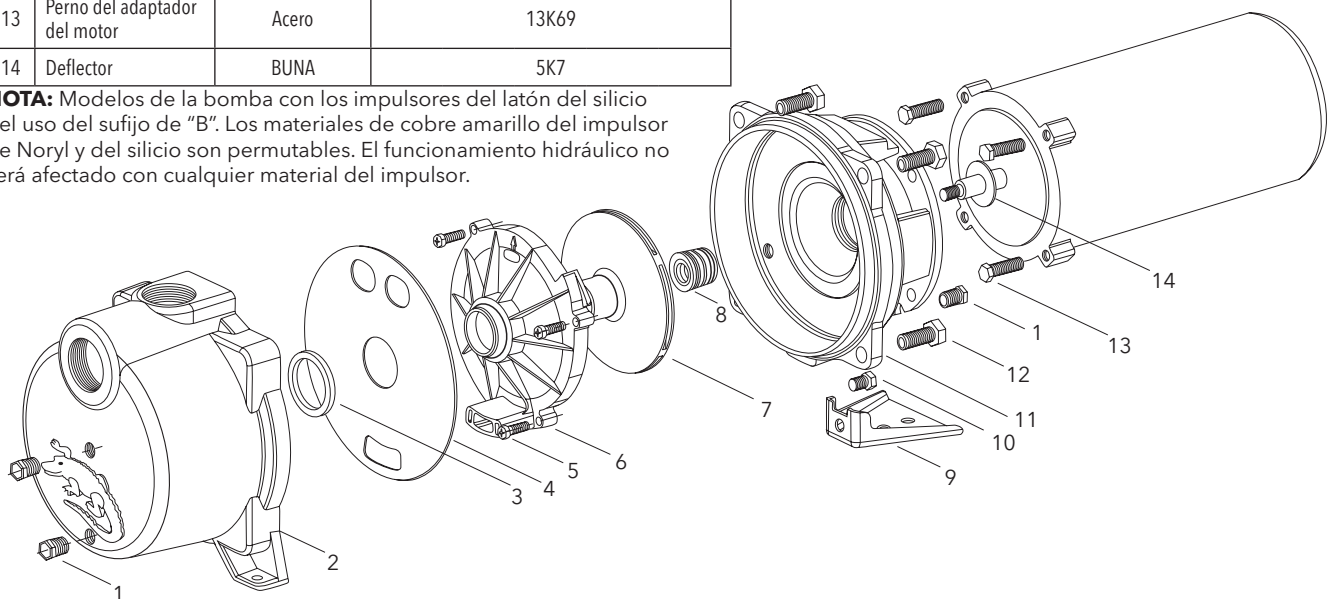
Modelo	HP	Tensión	Corriente a plena carga	Fusible	Cortacircuitos		Fase/Hz
					Estándar	De retardo	
GT07	¾	115/230	13.8/6.9	45/25	45/25	25/15	1/60
GT10	1	115/230	16/8	50/25	50/25	30/15	1/60
GT15	1½	115/230	20/10	60/30	60/35	35/20	1/60
GT20	2	230	13.9	40	40	25	1/60
GT30	3	230	17	60	60	30	1/60
GT073	¾	208-230/460	3.1-2.8/1.4	10-10/10	10-10/10	10-10/10	3/60
GT103	1	208-230/460	4.3-6/1.8	15-15/10	15-15/10	15-10/10	3/60
GT153	1½	208-230/460	5.7-5.2/2.6	20-20/10	20-20/10	15-10/10	3/60
GT203	2	208-230/460	7.5-6.8/3.4	25-25/15	25-25/15	15-15/10	3/60
GT303	3	208-230/460	10.6-9.6/4.8	35-30/15	35-30/15	20-20/10	3/60

LISTA DE PARTES DE REPUESTO

Art. N°.	Descripción	Material	Número de parte				
			GT07/ GT073	GT10/ GT103	GT15/ GT153	GT20/ GT203	GT30/ GT303
1	Tapón de tubo NPT de ¼ pulg.	Acero enchapado	6K2				
2	Carcasa	Hierro fundido	1K324				
3	Anillo de sello del álabe guía	BUNA	5K555				
4	Diafragma	Nitrilo	5K522				
5	Tornillo para metales de cabeza cilíndrica ranurada	Acero inoxidable	13K4	13K4	13K2	13K2	13K2
6	Álabe guía	Lexan® 10% G.F.	3K72	3K71	3K70	3K70	3K69
7	Impulsor	Noryl® 20% G.F.	2K715	2K716	2K714	2K713	2K712
		Latón del silicio	2K1262	2K1263	2K1264	2K1265	2K1266
8	Sello mecánico	Carbón/Cerámica/ BUNA	10K258				
9	Base de la bomba (viejo estilo)	Acero	4K408	15K60			
9B	Base de bomba alta con canal de goma Reemplaza 15K60 o 4K408	Acero	15K86				
10	Perno de la base de la bomba (usar solo con 4K408)	Acero	13K252				
11	Adaptador del motor	Hierro fundido	1K310				
12	Perno de la carcasa	Acero	13K102 (4 requeridos)				
13	Perno del adaptador del motor	Acero	13K69				
14	Deflector	BUNA	5K7				

HP	Códigos de Motores	
	1Ø - ODP	3Ø - ODP
.75	J05853R	C05873
1.0	J06853R	C06873
1.5	J07858R	C07878
2.0	J08854R	C08874
3.0	J09853R	C09874

NOTA: Modelos de la bomba con los impulsores del latón del silicio del uso del sufijo de "B". Los materiales de cobre amarillo del impulsor de Noryl y del silicio son permutables. El funcionamiento hidráulico no será afectado con cualquier material del impulsor.



GARANTÍA COMERCIAL

Para los productos vendidos a compradores comerciales, el Vendedor garantiza que los productos vendidos al Comprador en virtud del presente (con excepción de membranas, sellos, juntas, materiales de elastómero, revestimientos y otras "partes de desgaste" o consumibles, que no se garantizan, con excepción de lo dispuesto por el contrario en la cotización o formulario de venta) (i) se construirán de acuerdo con las especificaciones referidas en la cotización o formulario de venta, si tales especificaciones se realizan expresamente como parte de este Acuerdo, y (ii) están libres de defectos en material y mano de obra por un período de un (1) año desde la fecha de instalación o doce (12) meses desde la fecha de envío (y tal fecha de envío no deberá ser posterior a dieciocho (18) meses posteriores a la recepción del aviso que los productos están listos para ser enviados), lo que ocurra primero, a menos que se especifique un período mayor en la documentación del producto (la "Garantía").

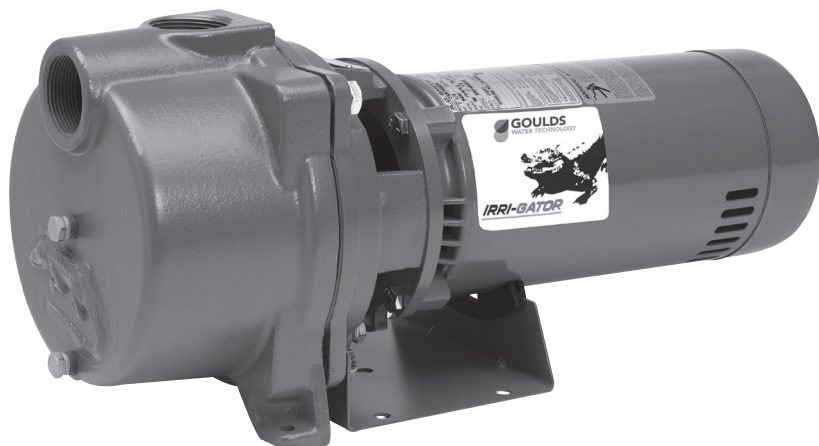
Con excepción de lo requerido por ley, el Vendedor, a su opción y sin costo alguno para el Comprador, reparará o reemplazará el producto que no se ajuste a la Garantía en tanto que el Comprador envíe un aviso escrito al Vendedor sobre todo defecto en material o mano de obra dentro de diez (10) días de la fecha en que aparecen por primera vez los defectos o no conformidades. Según la opción de reparación o reemplazo, el Vendedor no estará obligado a remover o pagar la remoción del producto defectuoso ni instalar o pagar la instalación del producto reemplazado o reparado y el Comprador será responsable de todos los demás costos, que incluyen, entre otros, los costos de servicio, aranceles y gastos de envío. El Vendedor tendrá la exclusiva facultad de decisión con respecto al método o medio de reparación o reemplazo. El incumplimiento del Comprador de las instrucciones de reparación o reemplazo del Vendedor rescindirá las obligaciones del Vendedor en virtud de esta Garantía y anulará esta Garantía. Toda pieza reparada o reemplazada en virtud de la Garantía es garantizada solo por el resto del período de garantía por las piezas reparadas o reemplazadas. El Vendedor no tendrá obligaciones de garantía frente al Comprador con respecto a ningún producto o pieza de un producto que haya sido: (a) reparado por terceros que no sean el Vendedor o sin la aprobación escrita del Vendedor; (b) sujeto a uso incorrecto, aplicación incorrecta, descuido, alteración, accidente o daño físico; (c) usado de forma contraria a las instrucciones del Vendedor para la instalación, operación y mantenimiento; (d) dañado por el uso y desgaste normal, corrosión o ataque químico; (e) dañado debido a condiciones anormales, vibración, falta de cebado correcto o funcionamiento sin flujo; (f) dañado debido a una fuente de alimentación defectuosa o protección eléctrica incorrecta; o (g) dañado debido al uso de equipos accesorios no vendidos o aprobados por el Vendedor. En el caso de productos no fabricados por el Vendedor, no hay garantía del Vendedor; sin embargo, el Vendedor extenderá al Comprador toda garantía recibida del proveedor del Vendedor de tales productos.

LA GARANTÍA ANTERIOR ES EXCLUSIVA Y REEMPLAZA TODA OTRA GARANTÍA, CONDICIÓN O TÉRMINO EXPRESO O IMPLÍCITO DE CUALQUIER NATURALEZA RELACIONADO CON LOS PRODUCTOS PROVISTOS EN VIRTUD DEL PRESENTE, INCLUYENDO, SIN CARÁCTER LIMITATIVO, LAS GARANTÍAS IMPLÍCITAS DE COMERCIALIZACIÓN E IDONEIDAD PARA UN PROPÓSITO EN PARTICULAR, QUE POR EL PRESENTE SE RECHAZAN Y EXCLUYEN EXPRESAMENTE. CON EXCEPCIÓN DE LO DISPUESTO POR LA LEY EN CONTRARIO, EL EXCLUSIVO REMEDIO DEL COMPRADOR Y LA RESPONSABILIDAD TOTAL DEL VENDEDOR POR EL INCUMPLIMIENTO DE ALGUNA DE LAS GARANTÍAS ANTERIORES SE LIMITA A REPARAR O REEMPLAZAR EL PRODUCTO Y EN TODO CASO SE LIMITARÁ AL IMPORTE PAGADO POR EL COMPRADOR POR EL PRODUCTO DEFECTUOSO. EN NINGÚN CASO EL VENDEDOR SERÁ RESPONSABLE POR OTRA FORMA DE DAÑOS, YA SEA DIRECTOS, INDIRECTOS, LIQUIDADOS, INCIDENTALES, RESULTANTES, PUNITIVOS, EJEMPLARES O ESPECIALES, INCLUYENDO, ENTRE OTROS, LA PÉRDIDA DE GANANCIAS, LA PÉRDIDA DE AHORROS ANTICIPADOS O GANANCIAS, LA PÉRDIDA DE INGRESOS, LA PÉRDIDA DEL NEGOCIO, LA PÉRDIDA DE PRODUCCIÓN, LA PÉRDIDA DE OPORTUNIDAD O LA PÉRDIDA DE REPUTACIÓN.



Xylem Inc.
2881 East Bayard Street Ext., Suite A
Seneca Falls, NY 13148
Teléfono: (866) 325-4210
Fax: (888) 322-5877
www.xylem.com/goulds

Goulds es una marca registrada de Goulds Pumps, Inc. y se utiliza bajo licencia.
© 2022 Xylem Inc. IM049 Revisión Número 10 Junio 2022



GT IRRI-GATOR^{MC}

MODÈLE AUTOAMORÇANT

DIRECTIVES D'INSTALLATION, D'UTILISATION ET D'ENTRETIEN

TABLE DES MATIÈRES

SUJET	PAGE
Consignes de sécurité.....	18
Description et caractéristiques	18
Données techniques	18
Tuyauterie Aspiration.....	18
Refoulement	19
Câblage et mise à la terre.....	19
Sens de rotation	19
Utilisation	19
Entretien.....	19
Démontage.....	20
Remontage	20
Diagnostic des anomalies.....	20
Données sur l'alimentation électrique	21
Liste de pièces de rechange	21
Garantie limitée de Goulds Water Technology.....	24

MODÈLE ET INFORMATIONS POUR LE PROPRIÉTAIRE

Monophasé	Numéro de modèle : _____
GT07	
GT10	Numéro de série : _____
GT15	
GT20	Détaillant : _____
GT30	_____

Triphasé	Téléphone (détaillant) : _____
GT073	
GT103	Date d'achat : _____
GT153	
GT203	Date d'installation : _____
GT303	

CONSIGNES DE SÉCURITÉ

AFIN DE PRÉVENIR LES BLESSURES GRAVES OU MORTELLES ET LES DOMMAGES MATÉRIELS IMPORTANTS, LIRE ET SUIVRE TOUTES LES CONSIGNES DE SÉCURITÉ FIGURANT DANS LE MANUEL ET SUR LA POMPE.



Le symbole ci-contre est un **SYMBOLE DE SÉCURITÉ** employé pour signaler les mots-indicateurs dont on trouvera la description ci-dessous. Sa présence sert à attirer l'attention afin d'éviter les blessures et les dommages matériels.



Prévient des risques qui **VONT** causer des blessures graves, la mort ou des dommages matériels importants.



Prévient des risques qui **PEUVENT** causer des blessures graves, la mort ou des dommages matériels importants.



Prévient des risques qui **PEUVENT** causer des blessures ou des dommages matériels.

AVIS : Sert à énoncer les directives spéciales de grande importance que l'on doit suivre.

LE PRÉSENT MANUEL A POUR BUT DE FACILITER L'INSTALLATION ET L'UTILISATION DE LA POMPE ET DOIT ÊTRE CONSERVÉ PRÈS DE CELLE-CI.

LIRE SOIGNEUSEMENT CHAQUE DIRECTIVE ET AVERTISSEMENT AVANT D'EFFECTUER TOUT TRAVAIL SUR LA POMPE.

N'ENLEVER AUCUNE DÉCALCOMANIE DE SÉCURITÉ.

AVIS : INSPECTER L'APPAREIL ET SIGNALER IMMÉDIATEMENT TOUT DOMMAGE AU TRANSPORTEUR OU AU DÉTAILLANT. NE PAS UTILISER L'APPAREIL SI L'ON SOUPÇONNE QU'IL EST ENDOMMAGÉ.



APPAREIL NON CONÇU POUR LES LIQUIDES DANGEREUX NI POUR LES GAZ INFLAMMABLES.



Ce produit peut vous exposer à des produits chimiques, incluant le plomb, reconnus par l'État de la Californie comme pouvant être cancérigènes, causer des anomalies congénitales ou d'autres problèmes de reproduction. Pour plus d'informations : www.P65Warnings.ca.gov.

DESCRIPTION ET CARACTÉRISTIQUES

- Le modèle GT englobe une gamme de pompes centrifuges autoamorçantes, à un étage et à aspiration en bout, servant à l'arrosage des pelouses, aux systèmes CVCA (chauffage, ventilation et conditionnement d'air) et au transfert d'eau de nature générale.
- Le corps de pompe est en fonte et comporte des orifices taraudés pour la vidange et pour la pose d'un vacuomètre.
- La roue est du type fermé en Noryl^{MC} chargé de fibre de verre et est vissée sur l'arbre de moteur.

- Les moteurs standard sont du type abrité, conforme à la NEMA et ont une vitesse de rotation de 3 500 tr/min.

DONNÉES TECHNIQUES

Modèle	hp	PH/Hz	Aspiration	Refolement	Poids (lb)
GT07	¾	1/60	1 ½ po, NPT	1 ½ po, NPT	48
GT10	1				52
GT15	1 ½				60
GT20	2				65
GT30	3				76
GT073	¾	3/60			49
GT103	1				52
GT153	1 ½				55
GT203	2				69
GT303	3				71

- Température maximale du liquide : 71 °C (160 °F)
- Démarrages par heure : maximum de 20, répartis uniformément

TUYAUTERIE

- On **DOIT** installer la pompe sur une surface plane, horizontale et solide, l'orifice de refolement vers le haut.
- Laisser suffisamment d'espace pour l'entretien et l'aération. Protéger l'appareil contre les intempéries, les inondations et le gel.
- Afin de réduire les pertes de charge (par frottement) au minimum, maintenir la tuyauterie aussi courte que possible, ne pas employer un calibre de tuyau inférieur à celui des raccords d'aspiration et de refolement ni utiliser d'accessoires ou de raccords de tuyauterie superflus.
- Tous les tuyaux **DOIVENT** posséder leurs propres supports. Ils **NE DOIVENT** appliquer **AUCUNE** contrainte sur la pompe.

AVIS : LA TUYAUTERIE NE DOIT PAS APPLIQUER DE CONTRAINTES SUR LES RACCORDS D'ASPIRATION ET DE REFOLEMENT DE LA POMPE.

- Chaque joint de tuyauterie **DOIT** être étanche.
- L'emploi de ruban de Téflon^{MC} ou l'équivalent est recommandé pour **TOUS** les joints de tuyauterie.

ASPIRATION

- La hauteur d'aspiration ne devrait pas dépasser 25 pi en tenant compte de l'élévation et de la perte de charge.
- Poser un raccord union étanche sur le tuyau d'aspiration, près de la pompe (v. fig. 1).
- On recommande de fixer un clapet de pied à l'entrée (qui sera immergée) du tuyau d'aspiration.

AVIS : POUR LES LONGS TUYAUX D'ASPIRATION, ON RECOMMANDE LA POSE D'UN CLAPET DE PIED ET D'UN CLAPET DE NON-RETOUR.

- Afin de prévenir les poches d'air, aucun élément de la tuyauterie d'aspiration ne devrait être plus haut que le raccord d'aspiration de la pompe. Incliner la tuyauterie vers le haut à partir de la source de liquide.
- Si le tuyau d'aspiration est de longueur importante, le remplir d'eau avant de le raccorder à la pompe.

REFOULEMENT

- Poser au-dessus de l'orifice de refoulement un té dont une branche sera orientée vers le haut pour servir au premier amorçage de la pompe (v. fig. 1).

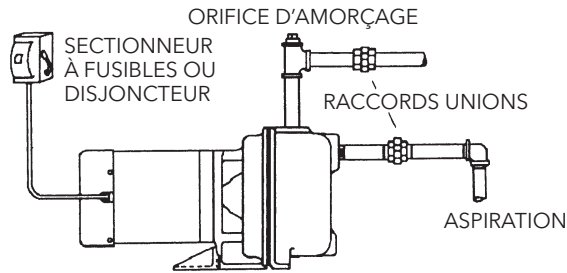


Figure 1

CÂBLAGE ET MISE À LA TERRE



- ⚠ Poser le fil de terre et les autres fils suivant les prescriptions du code provincial ou national de l'électricité.
- ⚠ Poser un sectionneur tout conducteur près de la pompe.
- ⚠ Couper le courant avant de procéder à l'installation ou à l'entretien de la pompe.

⚠ L'alimentation électrique **DOIT** être conforme aux spécifications de la plaque signalétique. Une tension inappropriée peut causer un incendie ou des dommages au moteur et annule la garantie.

⚠ Les moteurs monophasés non protégés **DOIVENT** être munis de contacteurs et de dispositifs de protection contre les surcharges thermiques, et les moteurs triphasés, de démarreurs à dispositif de protection contre la surcharge. Consulter la plaque signalétique du moteur.

- Suivre soigneusement le schéma de câblage sur la plaque signalétique ou le cache-bornes du moteur.
- N'utiliser que du fil de cuivre pour la mise à la terre et l'alimentation du moteur. Le calibre du fil de terre **DOIT** être au moins égal à celui des fils d'alimentation, et les fils devraient tous être chromocodés pour faciliter l'entretien.

CALIBRE DE FIL MINIMAL RECOMMANDÉ

hp	Distance entre l'entrée de service et le moteur							
	15 m (50 pi)		30 m (100 pi)		46 m (150 pi)		61 m (200 pi)	
	115 V	230 V	115 V	230 V	115 V	230 V	115 V	230 V
¾	12	14	10	14	8	14	6	12
1	12	14	8	14	8	12	6	12
1½	10	14	8	14	-	12	-	10
2	10	14	8	14	-	12	-	10
3	-	12	-	12	-	10	-	10



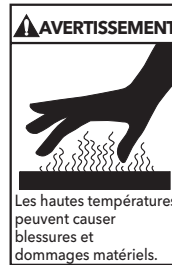
OMETTRE LA MISE À LA TERRE PERMANENTE DE LA POMPE, DU MOTEUR ET DES COMMANDES AVANT LE BRANCHEMENT À LA SOURCE DE COURANT PEUT CAUSER UN CHOC ÉLECTRIQUE, DES BRÛLURES OU LA MORT.

SENS DE ROTATION

AVIS : LA ROTATION DANS LE MAUVAIS SENS PEUT ENDOMMAGER LA POMPE ET ANNULE LA GARANTIE.

- La rotation appropriée est en **SENS HORAIRE** (vers la droite), vue de l'extrémité du moteur.
- On peut vérifier le sens de rotation de l'arbre d'un moteur triphasé en ôtant l'obturateur ou le couvercle d'extrémité du moteur. Pour inverser la rotation de celui-ci, en intervertir deux des trois conducteurs.

UTILISATION



L'UTILISATION D'UNE POMPE DÉSAMORCÉE OU DONT LE ROBINET DE REFOULEMENT EST FERMÉ PEUT PROVOQUER UN ÉCHAUFFEMENT, TRANSFORMER AINSI L'EAU EN VAPEUR ET CAUSER DES BLESSURES ET DES DOMMAGES MATÉRIELS.

AVIS : NE PAS UTILISER UNE POMPE DÉSAMORCÉE AFIN DE NE PAS EN ENDOMMAGER LES DISPOSITIFS D'ÉTANCHÉITÉ.

- Amorcer la pompe en remplissant cette dernière et la tuyauterie d'eau propre par l'orifice supérieur du té (v. fig. 1).
- Recouvrir les filets du bouchon d'amorçage de ruban de Téflon^{MC} ou l'équivalent et visser le bouchon sur le té.

AVIS : SI LA POMPE SE VIDE OU S'ARRÊTE PENDANT L'AMORÇAGE, ON DOIT LA REMPLIR DE NOUVEAU, PUIS LA REMETTRE EN MARCHÉ.

- Mettre la pompe en marche, entrouvrir le robinet de refoulement et attendre que la pression se stabilise. Des à-coups de pression ou une chute de pression prolongée indiquent un amorçage incorrect.

ENTRETIEN



OMETTRE DE COUPER LE COURANT AVANT TOUT TRAVAIL D'ENTRETIEN PEUT CAUSER UN CHOC ÉLECTRIQUE, DES BRÛLURES OU LA MORT.

- La pompe ne nécessite aucune lubrification. Quant au moteur, consulter et suivre les directives du fabricant.

USAGE SAISONNIER

- Pour la **MISE HORS SERVICE**, déposer tous les bouchons de vidange et vider tous les tuyaux.
- Pour la **REMISE EN SERVICE**, reposer tous les bouchons de vidange après en avoir recouvert les filets de ruban de Téflon^{MC} ou l'équivalent.
- Raccorder le tuyau d'aspiration à la pompe s'il a été désaccouplé, examiner le raccord union et effectuer les réparations nécessaires.
- Réamorcer et faire fonctionner la pompe suivant les directives et les avertissements de la section « **UTILISATION** » ci-dessus.

DÉMONTAGE



OMETTRE DE COUPER LE COURANT AVANT TOUT TRAVAIL D'ENTRETIEN PEUT CAUSER UN CHOC ÉLECTRIQUE, DES BRÛLURES OU LA MORT.

1. Enlever la vis (10) de la patte de pompe.
2. Déposer les vis (12) du corps de pompe (2).
3. Écarter l'ensemble d'entraînement de la roue d'avec le corps de pompe.
4. Enlever la bague d'étanchéité (3) du diffuseur ainsi que la membrane (4).
5. Ôter les vis de fixation (5) du diffuseur à l'adaptateur (11).
6. Déposer l'obturateur ou le couvercle d'extrémité du moteur.
7. Immobiliser l'arbre de moteur au moyen de la fente ou des méplats de blocage de $\frac{1}{16}$ po situés à l'extrémité de l'arbre.
8. Dévisser (**SENS ANTIHORAIRE**) et enlever la roue (7).
9. Employer deux tournevis en guise de leviers et extraire l'élément mobile de la garniture mécanique (8), puis le jeter (v. fig. 2).
10. Enlever les vis (12) de l'adaptateur et déposer celui-ci.
11. Pousser l'élément fixe de la garniture mécanique hors de l'adaptateur et le jeter.

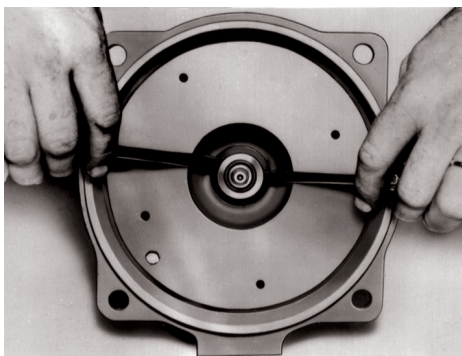


Figure 2

REMONTAGE

- Nettoyer et inspecter chaque pièce avant le remontage.

1. Vérifier s'il y a présence de résidus ou d'usure sur le siège de garniture mécanique. Le nettoyer ou le remplacer au besoin.

AVIS : ON DOIT CHANGER LA GARNITURE MÉCANIQUE CHAQUE FOIS QU'ON L'ENLÈVE. SUIVRE LES DIRECTIVES DU FABRICANT DE LA GARNITURE AVEC SOIN.

2. Au besoin, mouiller ou glycéliner l'élément fixe de la garniture mécanique pour en faciliter la pose. **NE PAS** le contaminer. Le pousser à fond et à angle droit dans son siège, sur l'adaptateur. Avec un linge propre non pelucheux, le nettoyer **AVEC SOIN**. **NE PAS** l'endommager.
3. Poser l'adaptateur sur le moteur en s'assurant que l'arbre de moteur ne déloge ni n'endommage le siège de l'élément fixe.
4. Pousser l'ensemble élément mobile à fond et à angle droit contre l'élément fixe. S'assurer que l'élément mobile est bien maintenu en place par son collet de retenue. **NE PAS** endommager la garniture mécanique.
5. Dans le cas des moteurs triphasés, on **DOIT** employer du LOCTITE^{MD} 243 bleu (« blue ») pour poser la roue. Bloquer l'arbre (v. section « **DÉ-MONTAGE** ») et visser la roue à fond sur l'arbre en **SENS HORAIRE**.
6. Remettre le diffuseur en place tout en l'alignant pour empêcher la roue de frotter.
7. Poser une membrane et une bague d'étanchéité (diffuseur) neuves.
8. Réinsérer l'ensemble d'entraînement de la roue dans le corps de pompe.
9. Tourner l'arbre de moteur pour vérifier si la roue est grippée. Si elle l'est, desserrer les vis du corps de pompe, déplacer le diffuseur jusqu'à ce que la roue tourne librement, puis resserrer les vis, en croix.
10. Remettre chaque bouchon de vidange et composant côté moteur en place.
11. Réamorcer et faire fonctionner la pompe suivant les directives de la section « **UTILISATION** » ci-dessus.

DIAGNOSTIC DES ANOMALIES



OMETTRE DE COUPER LE COURANT AVANT TOUT TRAVAIL D'ENTRETIEN PEUT CAUSER UN CHOC ÉLECTRIQUE, DES BRÛLURES OU LA MORT.

ANOMALIE

Non-fonctionnement du moteur

(V. causes probables 1 à 5)

Débit de refoulement faible ou nul

(V. causes probables 3, 4, 6 à 12 et 15)

Vibration et bruit excessifs

(V. causes probables 3, 6, 7, 10, 12, 13 et 14)

CAUSE PROBABLE

1. Protecteur thermique du moteur déclenché
2. Disjoncteur ouvert ou fusible sauté
3. Roue grippée
4. Moteur mal connecté
5. Moteur défectueux
6. Pompe non amorcée, air ou gaz présent dans le liquide pompé
7. Tuyau d'aspiration ou de refoulement obstrué ou robinet fermé
8. Mauvais sens de rotation (moteurs triphasés seulement)
9. Basse tension électrique ou perte de phase
10. Roue usée ou engorgée
11. Hauteur de charge du système trop élevée
12. Hauteur nette d'aspiration disponible (NPSHA) trop faible - hauteur ou perte d'aspiration excessives
13. Hauteur de refoulement trop faible - débit excessif
14. Pompe, moteur ou tuyauterie mal assujettis
15. Entrée du tuyau d'aspiration non immergée

DONNÉES SUR L'ALIMENTATION ÉLECTRIQUE

Modèle	hp	Tension (V)	Courant (A) à pleine charge	Fusible	Disjoncteur		PH/Hz
					Standard	Retardé	
GT07	¾	115/230	13,8/6,9	45/25	45/25	25/15	1/60
GT10	1	115/230	16/8	50/25	50/25	30/15	1/60
GT15	1½	115/230	20/10	60/30	60/35	35/20	1/60
GT20	2	230	13,9	40	40	25	1/60
GT30	3	230	17	60	60	30	1/60
GT073	¾	208-230/460	3,1-2,8/1,4	10-10/10	10-10/10	10-10/10	3/60
GT103	1	208-230/460	4-3,6/1,8	15-15/10	15-15/10	15-10/10	3/60
GT153	1½	208-230/460	5,7-5,2/2,6	20-20/10	20-20/10	15-10/10	3/60
GT203	2	208-230/460	7,5-6,8/3,4	25-25/15	25-25/15	15-15/10	3/60
GT303	3	208-230/460	10,6-9,6/4,8	35-30/15	35-30/15	20-20/10	3/60

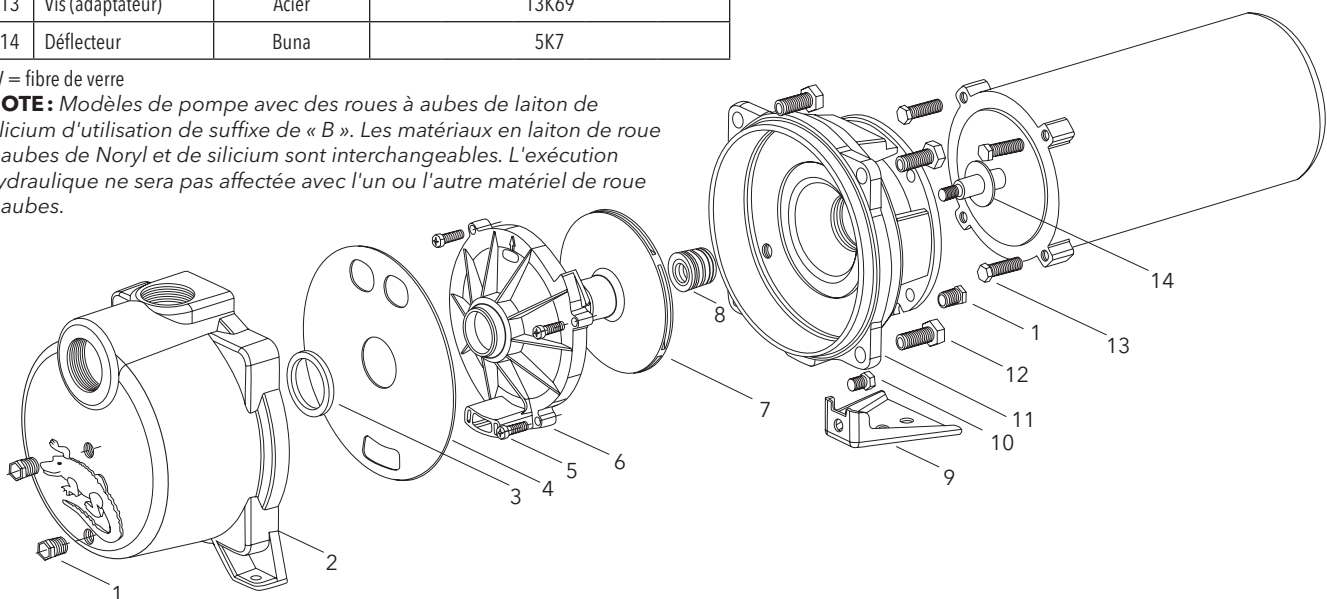
Liste de pièces de rechange

N° d'art.	Description	Matériau	N° de la pièce				
			GT07/ GT073	GT10/ GT103	GT15/ GT153	GT20/ GT203	GT30/ GT303
1	Bouchon, ¼ po, NPT	Acier galvanisé	6K2				
2	Corps de pompe	Fonte	1K324				
3	Bague d'étanchéité (diffuseur)	Buna	5K555				
4	Membrane	Nitrile	5K522				
5	Vis à métaux à tête cylindrique bombée	Inox	13K4	13K4	13K2	13K2	13K2
6	Diffuseur	Lexan + FV (10 %)	3K72	3K71	3K70	3K70	3K69
7	Roue	Noryl + FV (20 %)	2K715	2K716	2K714	2K713	2K712
		Laiton de silicium	2K1262	2K1263	2K1264	2K1265	2K1266
8	Garniture mécanique	Carbone, céramique, buna	10K258				
9	Patte de pompe (style ancien)	Acier	4K408		15K60		
9B	Base de pompe haute avec canal en caoutchouc Remplace 15K60 ou 4K408	Acier	15K86				
10	Vis (patte de pompe) (à utiliser uniquement avec 4K408)	Acier	13K252				
11	Adaptateur (moteur)	Fonte	1K310				
12	Vis (corps de pompe)	Acier	13K102 (4 requis)				
13	Vis (adaptateur)	Acier	13K69				
14	Défecteur	Buna	5K7				

hp	Codes de Moteur	
	1 Ø, abrité	3 Ø, abrité
0,75	J05853R	C05873
1,0	J06853R	C06873
1,5	J07858R	C07878
2,0	J08854R	C08874
3,0	J09853R	C09874

FV = fibre de verre

NOTE : Modèles de pompe avec des roues à aubes de laiton de silicium d'utilisation de suffixe de « B ». Les matériaux en laiton de roue à aubes de Noryl et de silicium sont interchangeables. L'exécution hydraulique ne sera pas affectée avec l'un ou l'autre matériel de roue à aubes.



GARANTIE POUR UTILISATION COMMERCIALE

Pour les biens vendus aux acheteurs commerciaux, le vendeur garantit les biens vendus ci-dessous (sauf pour les membranes, joints d'étanchéités, joints, matériaux en élastomère, revêtements et autres « pièces d'usure » ou articles consommables, ces derniers n'étant pas garantissable sauf indication contraire sur le formulaire de soumission ou de vente) seront (i) intégrés selon les spécifications indiquées sur la soumission ou le formulaire de vente, si ces spécifications font partie intégrantes de cette entente, et (ii) sont libres de toute défectuosité matériel et de fabrication pendant une période de un (1) an depuis la date d'installation ou douze (12) mois depuis la date d'expédition (la date d'expédition ne sera pas ultérieure à dix-huit (18) mois après la réception de l'avis que les biens sont prêts à être expédiés), la première instance à survenir, à moins qu'une période plus longue n'ait été indiquée sur la documentation du produit (la « Garantie »).

Sauf mention contraire dans les lois, le vendeur, à son choix et sans frais pour l'acheteur, réparera ou remplacera tout produit défectueux en vertu de la garantie pour autant que l'acheteur donne un avis écrit au vendeur de toutes défectuosités matérielles ou de main d'oeuvre dans les dix (10) jours de la première occurrence d'un défaut ou non conformité. En vertu de l'option de réparation ou de remplacement, le vendeur n'est soumis à aucune obligation de retirer ou de faire retirer le produit défectueux ni d'installer ou de payer pour l'installation du produit réparé ou remplacé. L'acheteur ne peut être tenu responsable de tout autre frais, incluant, entre autre, frais de réparation, d'expéditions et dépenses. Le vendeur à son entière discrétion choisira la méthode ou le moyen de réparation ou de remplacement. Le défaut de l'acheteur de se conformer aux directives de réparation ou de remplacement du vendeur conclura les obligations du vendeur en vertu de la présente garantie et annulera la garantie. Toutes pièces réparées ou remplacées en vertu de la garantie seront couvertes uniquement pour la durée de la garantie restante sur les pièces ayant été réparées ou remplacées. Le vendeur n'aura aucune obligation de garantie envers l'acheteur pour tout produit ou pièces du produit ayant été : (a) réparées par une tierce partie autre que le vendeur ou sans l'approbation écrite du vendeur; (b) soumises à une mauvaise utilisation, mauvaise application, négligence, altération, accident ou dommage physique; (c) utilisées de manière contraire aux directives d'installation, d'opération et d'entretien du vendeur; (d) endommagées par une usure normale, corrosion ou produits chimiques; (e) endommagées par des conditions anormales, vibrations, défaut d'une amorce adéquate ou opération sans débit; (f) endommagées par une alimentation électrique défectueuse ou une mauvaise protection électrique; ou (g) endommagées par l'utilisation d'un accessoire n'ayant pas été vendu ou approuvé par le vendeur. Dans le cas de produits n'ayant pas été fabriqués par le vendeur, ce dernier n'offre aucune garantie; cependant le vendeur fera profiter l'acheteur de toute garantie qu'il aura reçu du fournisseur de tels produits.

LA PRÉSENTE GARANTIE EST EXCLUSIVE ET REMPLACE TOUTE AUTRE GARANTIE OU CONDITIONS EXPRESSES OU IMPLICITES DE QUELQUE NATURE SE RAPPORTANT AUX BIENS FOURNIS CI-APRÈS, INCLUSANT, SANS LIMITE, TOUTE GARANTIE IMPLICITE DE QUALITÉ MARCHANDE ET DE CONFORMITÉ À DES FINS PARTICULIÈRES, QUI SONT RÉFUTÉES EXPRESSÉMENT ET EXLUES. SAUF MENTION CONTRAIRE DANS LES LOIS, LE SEUL RECOURS DE L'ACHETEUR ET LA RESPONSABILITÉ DU VENDEUR EN CAS DE BRIS D'UNE DES GARANTIES CI-APRÈS EST LIMITÉ À LA RÉPARATION OU AU REMPLACEMENT DU PRODUIT ET SERA DANS TOUS LES CAS LIMITÉ AU MONTANT PAYÉ PAR L'ACHETEUR POUR LE PRODUIT DÉFECTUEUX. EN AUCUN CAS, LE VENDEUR NE POURRA ÊTRE TENU RESPONSABLE DE TOUTES AUTRES FORMES DE DOMMAGES, QU'IL SOIT DIRECT, INDIRECT, LIQUIDÉ, ACCIDENTEL, CONSÉCUTIF, PUNITIF, EXEMPLAIRE OU DOMMAGES SPÉCIAUX, INCLUANT, ENTRE AUTRES, PERTE DE PROFIT, PERTE D'ÉCONOMIE PRÉVUE OU DE REVENU, PERTE DE RENTRÉE MONÉTAIRE, PERTE DE CLIENTÈLE, PERTE DE PRODUCTION, PERTE D'OPPORTUNITÉ OU PERTE DE RÉPUTATION.



Xylem Inc.
2881 East Bayard Street Ext., Suite A
Seneca Falls, NY 13148
Téléphone: (866) 325-4210
Télécopie: (888) 322-5877
www.xylem.com/xylem

Goulds est une marque déposée de Goulds Pumps, Inc. et est utilisé sous le permis.
© 2022, Xylem Inc. IM049 Révision numéro 10 Juin 2022