

NY Thermal Inc.
Tel: (506) 657-6000
Toll Free: 1-800-688-2575
Fax: 1-506-432-1135
Web: www.Ntiboilers.com
Email: info@nythermal.com

84914 Brazed Plate Heat Exchanger Replacement Instructions

⚠ WARNING

This boiler must be serviced by a qualified heating technician. Failure to properly maintain or service this appliance may result in property damage, serious injury to occupants, or death.

⚠ WARNING

The installation of this kit must be performed by a qualified boiler technician. Installing this kit without the proper background and training is hazardous and may result in property damage or death.

Applicable Boiler Models

- Tx151C, Tx200C

Kit Contents

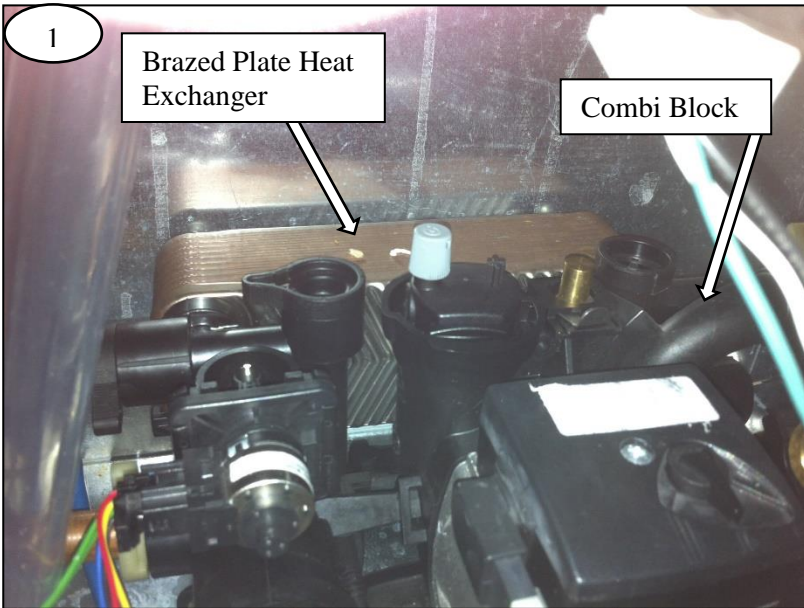
- Brazed Plate Heat Exchanger

Tools Required

- 1/4" nut driver or wrench
- 4 mm Allen wrench



Replacement Instructions:

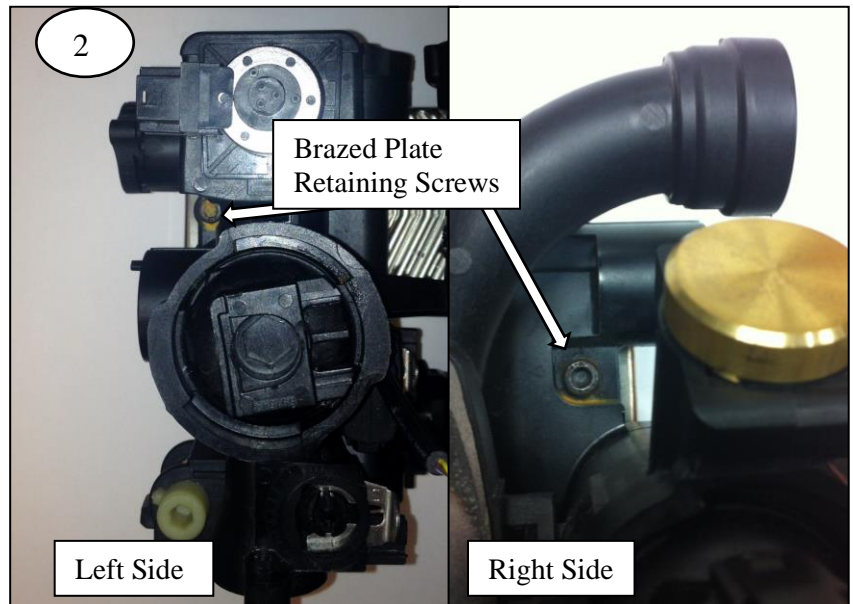


- Turn off power and gas to the boiler.
- Drain the boiler: use a wet/dry vacuum to help remove excess water.
- Drain the domestic water piping.

- Remove the two brazed plate retaining screws that join the heat exchanger to the combi block.
- Push the brazed plate heat exchanger toward the rear of the boiler then lift up and remove it from the boiler.

NOTICE Ensure you retain the four O-rings between the brazed plate heat exchanger and the combi block. If damaged they are replaced with new O-rings, part number 85173.

- Install the new brazed plate heat exchanger in the reverse order



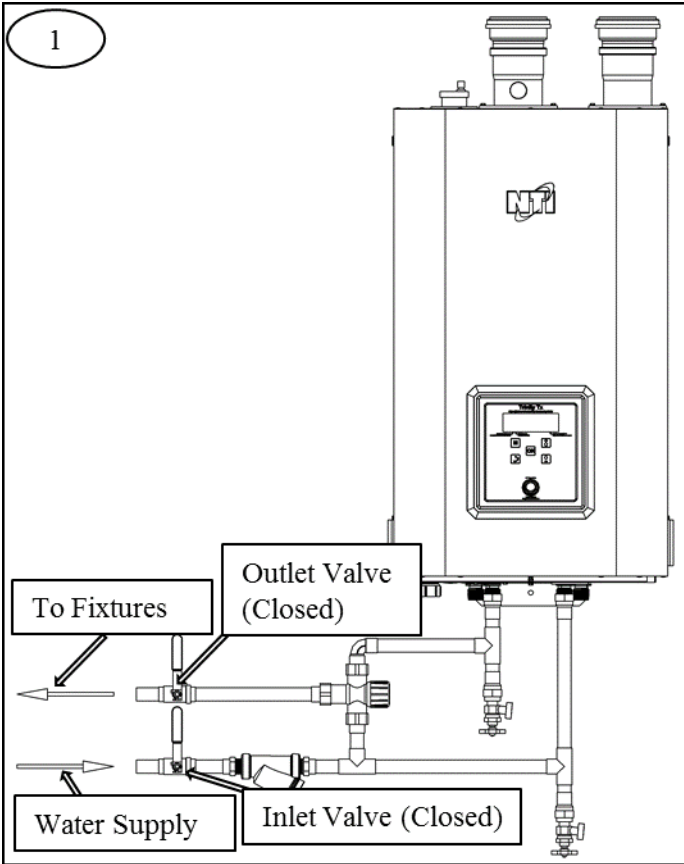
CAUTION **Water Leakage** – Before reinstalling the combi block ensure that the O-ring seals on the combi block inlet and outlet plate exchanger connections are in place and in good condition. Failure to do so may result in water leakage causing property damage.

CAUTION **Air in Boiler** – Ensure the boiler is completely filled with water to a minimum pressure of 15 psi and that the air is purged. Failure to do so could result in a boiler malfunction causing property damage.

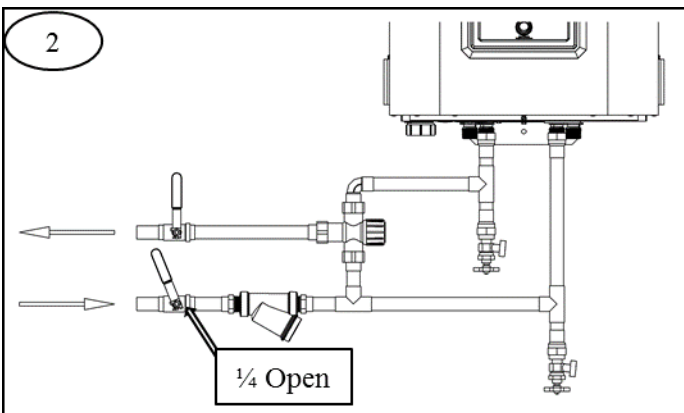
NOTICE

Ensure that the Domestic Hot Water Filling Procedure on the following pages is followed.

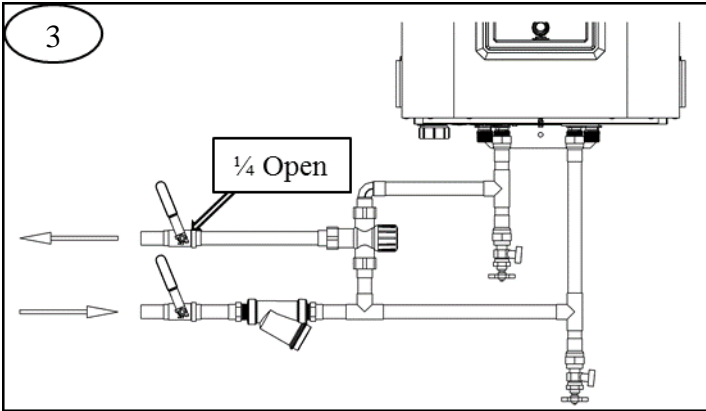
Domestic Hot Water Filling Procedure:



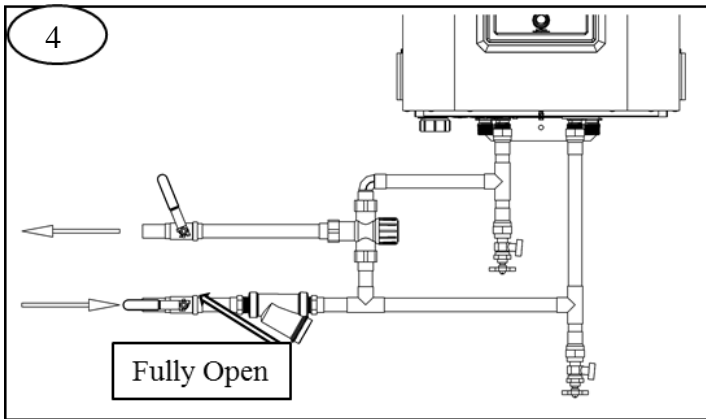
Prior to introducing water, close the inlet and outlet isolation valves and open all hot water fixtures.



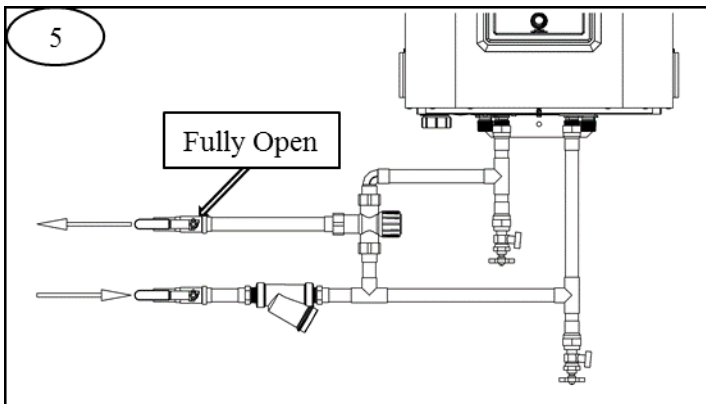
Slowly open inlet valve $\frac{1}{4}$ turn to introduce water to the boiler, keep outlet valve closed.



Slowly open the outlet valve 1/4 turn.



When the air is purged from the hot water lines to the fixture, fully open the inlet valve.



Close all hot water fixtures, then fully open outlet valve.