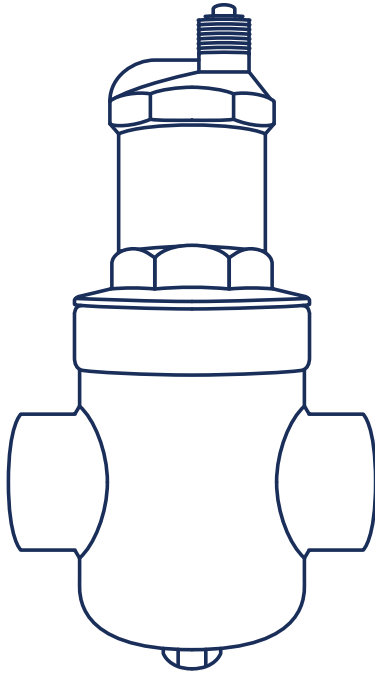
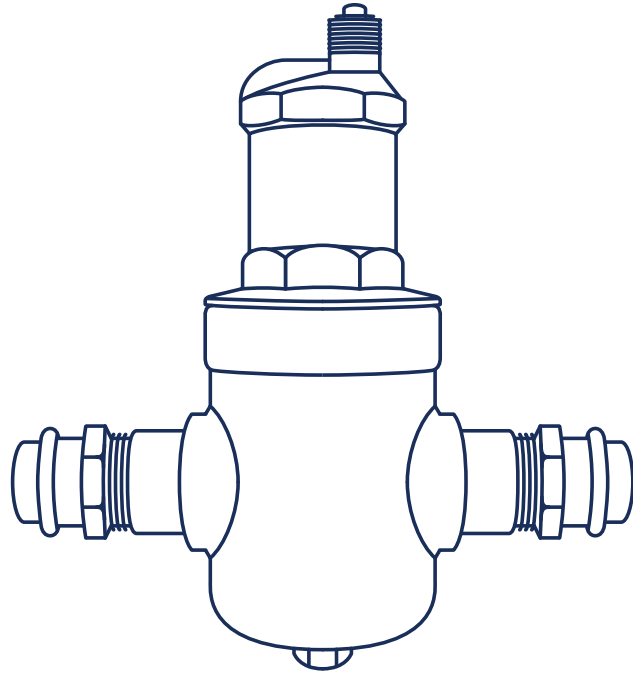


# Air Eliminator

For models 4PRO11PSBAE | 4PRO1PBAE | 4PRO114IPSAE | 4PRO114PBAE



IPS



Press

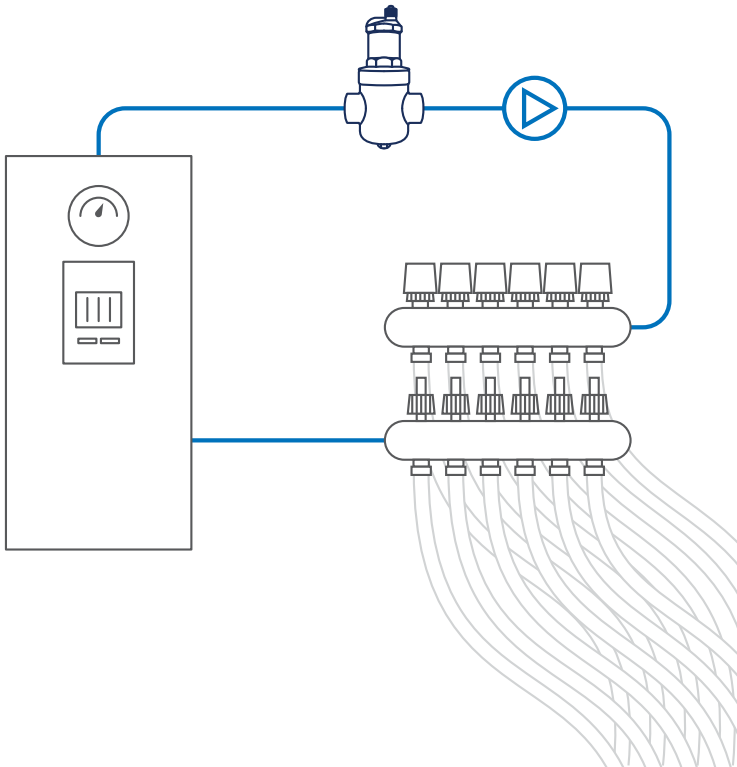
## TECHNICAL SPECIFICATIONS

Housing	Brass
Maximum Temperature	250°F
Maximum Design Pressure	150 PSI
Automatic Air Vent	Included
Vent Pipe Connection	Equipped
Connections	IPS or Press, 1" or 1 1/4"
Coalescing Media	316 stainless steel
Adapted Fluids	Water and 50% glycol solution

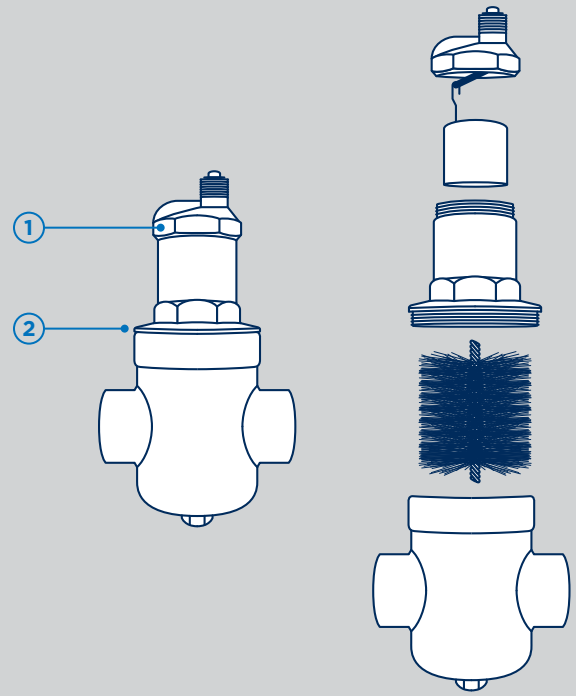
## INSTALLATION

Install the 4Pro Air Eliminator in a dry and frost-free environment on horizontal piping making sure that automatic air eliminator is placed in the upright position. Leave at least 100mm (4 in) free on top of the device to have enough space for maintenance.

The 4Pro Air Eliminator must be installed after the boiler and preferably before the circulation pump.



## AIR ELIMINATOR INSTRUCTION



## MAINTENANCE

- Visually inspect the device periodically.
- Ensure that the installation is cooled down and not under pressure when proceeding maintenance.
- To clean the float, needle and O-ring located inside the automatic air vent, unscrew the top hexagonal head at the top of the unit. ①
- To remove and clean the stainless steel bristles coalescing media, completely remove the automatic air vent from the body of the unit by unscrewing it. ②

## WARNING

The installation must be performed by qualified professionals in respect with current codes and law. Check that all connections are waterproof.