

Installation and Care Guide

Digital Thermostatic Valve for DTV+

Français, page "Français-1"
Español, página "Español-1"

THE BOLD LOOK
OF **KOHLER**®

IMPORTANT INSTRUCTIONS



WARNING: When using electrical products, basic precautions should always be followed, including the following:



WARNING: Risk of electric shock. A qualified electrician should route all electrical wiring.



WARNING: Risk of electric shock. Disconnect power before servicing.



WARNING: Unauthorized modification may cause poor performance of the valve. Do not make modifications to the valve as this could adversely affect the performance of the valve and void the warranty. Kohler Co. shall not be liable under its warranty or otherwise for personal injury or damage caused by any such unauthorized modification.



DANGER: Risk of injury or property damage. If the power cord gets damaged, it must be replaced by the manufacturer, its authorized service agent, or qualified personnel to avoid danger.



WARNING: Risk of injury. This device is not intended for use by persons (including children) with different or reduced physical, sensory, or mental abilities, or who lack experience or knowledge, unless they are under the supervision of or receive training for the use of the device by a person responsible for their safety. Children should be under supervision to ensure that they do not use devices as toys.



WARNING: Risk of injury or property damage. Please read all instructions thoroughly before beginning installation.

NOTICE: Follow all plumbing, electrical, and building codes.

NOTICE: Some electrical codes require a circuit protected by a GFCI*.

NOTICE: For K-557-K1: If a GFCI outlet is required, connect only one valve per outlet.

NOTICE: Provide unrestricted service access to the valve.

NOTICE: The minimum flow rate of this valve is 1.6 gal/min (6 l/min).

*Outside North America, this device may be known as a Residual Current Device (RCD).

Operation with DTV+

- To connect the valve to the DTV+ system, the K-99695 system controller is required.
- The provided data cable is used to connect the valve to the system controller.
- Refer to the "DTV+ System Layout" section in this guide.

Before Operating the System for the First Time:

Download and install the latest software for connected components. This may take an hour or more to complete based on system configuration and internet connection speed. **Do not disconnect the power from any components during software download and installation.**

Specifications

Pressures

Maximum Static Pressure	125 psi, 862 kPa, 8.6 bar
Supply Pressure Differential*	Max 5 psi, 34.5 kPa, 0.34 bar (Equal pressures recommended.)

Specifications (cont.)

Pressures

Minimum Flow Rate	1.6 gal/min (Less than 72 psi dynamic pressure.) 6 l/min (Less than 500 kPa maintaining pressure.)
	2.1 gal/min (Greater than 72 psi dynamic pressure.) 8 l/min (Greater than 500 kPa maintaining pressure.)

Temperatures

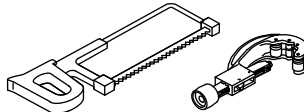
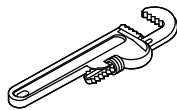
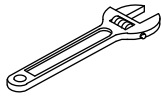
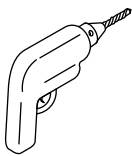
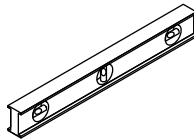
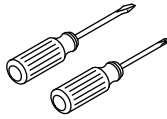
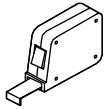
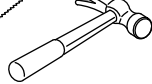
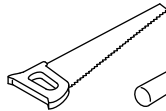
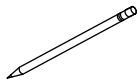
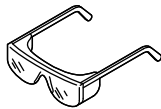
Programmable Temperature	Max 120°F (49°C) Min 86°F (30°C) <i>Full cold may also be selected.</i>
Default Temperature at Start-up	100°F (38°C)
Minimum Mixed Temperature Differential from Hot Supply	3.6°F (2°C)
Temperature Stability at Recommended Supply Conditions	+/- 1.6°F (1°C)
Ambient Temperature	Greater than 34°F (1°C), Max 104°F (40°C)
Maximum Relative Humidity	95% noncondensing

Electrical

Electrical Rating	120 V, 0.16 A, 60 Hz
Data Cable Length	25' (7.6 m)

*In commercial applications where there is a large difference in hot and cold supply pressures or frequent fluctuation in either supply line is anticipated, it is strongly recommended that pressure regulators be installed.

Tools and Materials



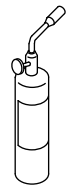
Hacksaw or Tube Cutter



Sealant Tape



Solder



Propane Torch

Plus:

- (2) 1/2" Union Connectors
- Wood and Framing Materials
- PEX Tubing, Copper Tubing, or PVC
- (2) Water Hammer Arrestors (Recommended)
- (2) Supply Shut-Off Valves

Before You Begin

NOTICE: Do not install the valve under a whirlpool surround or any location where the temperature may exceed 104°F (40°C). The valve and its integrated power supply are rated to operate in temperatures up to 104°F (40°C).

NOTICE: Do not apply excessive heat near the valve or apply flux or acids directly onto the valve. This valve contains plastic and rubber components that will melt if heat is directly applied.

NOTICE: Do not apply petroleum-based lubricants to the valve components. Doing so will damage the valve components.

NOTICE: Do not use oil-based, nonsetting compounds, such as plumbers putty, on the threaded connections.

Before You Begin (cont.)

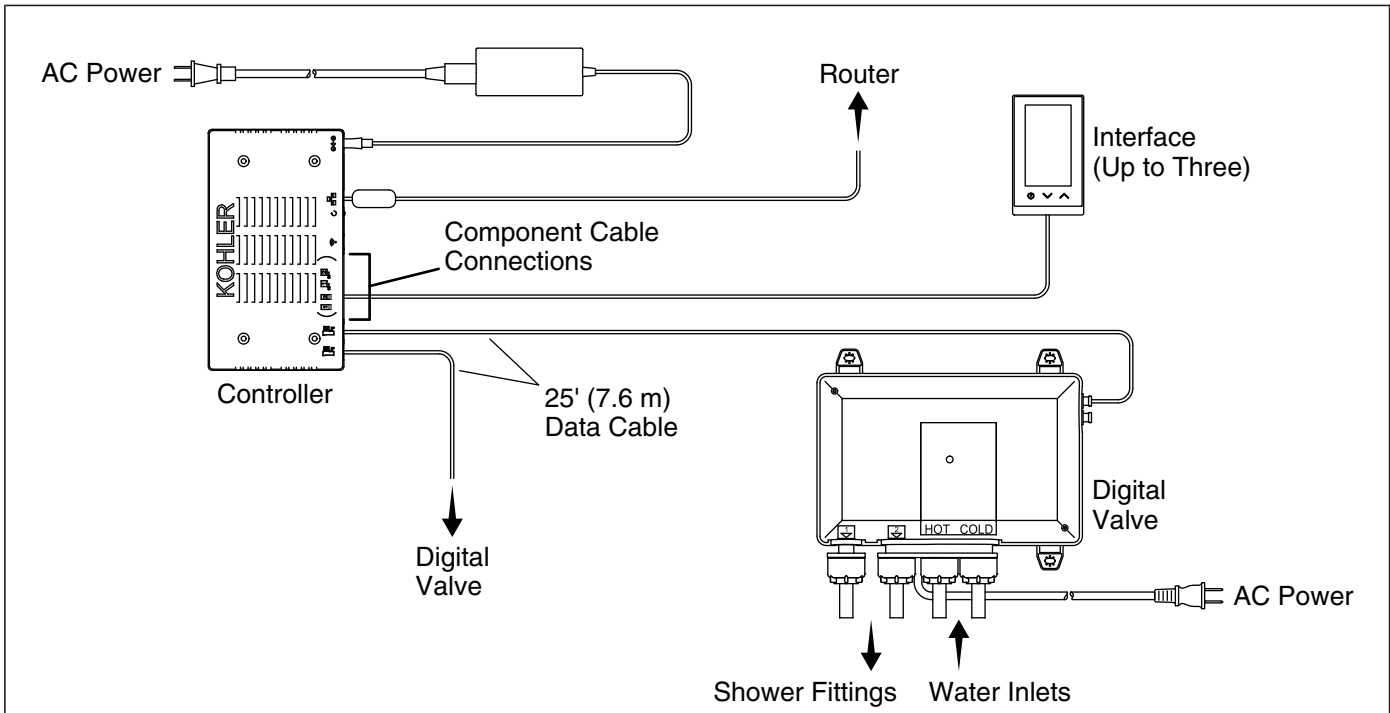
NOTICE: Do not remove the check valves from the inlets as this can damage the product.

NOTICE: If the valve will be used for a bath/shower application, the bath fill supply line must be routed from the #1 outlet port.

- Read these instructions and determine the locations of all required components before beginning installation. For shower configuration options, refer to the guide on the K-99695 controller product page at us.kohler.com.
- If possible, flush all piping thoroughly before installing the valve. If the pipes are flushed after the valve is installed, clean the inlet screens before using the system.
- A qualified electrician should install a 120 V electrical outlet, within the stud framing, close to the valve. A GFCI outlet may be required in certain applications.
- If possible, install the electrical outlet before installing the valve.

Multiple Valve Applications

- Showering configurations using large water volumes require supply piping and drain systems that will sufficiently accommodate the actual total flow rate at any one time.
- **Hot water generation:** Use a water heating system capable of handling large flow rates. Tankless (on-demand) water heaters and recirculating pumps may not be adequate for your showering configuration.



1. DTV+ System Layout

The K-99695 system controller powers the interface(s) and controls the digital valve(s) and other system components. The controller is required to configure the valve(s).

NOTICE: If the valve will be used for a bath/shower application, the bath fill supply line must be routed from the #1 outlet port.

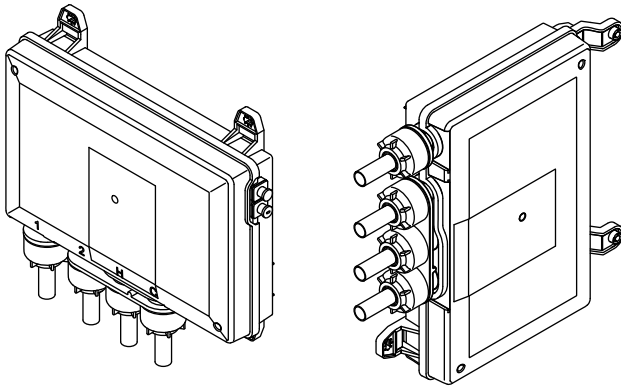
NOTICE: Custom shower configurations may not allow certain features to be enabled. For shower configuration options, refer to the guide on the K-99695 controller product page at us.kohler.com.

- Determine the locations of all required components, including shower fittings.
- A data cable is provided to connect the valve to the controller. If the valve is not within 25' (7.6 m) of the controller, obtain a longer telephone-style cable or add an extension cable.
- When routing piping, make sure that each shower fitting will connect to the appropriate valve outlet for your configuration.

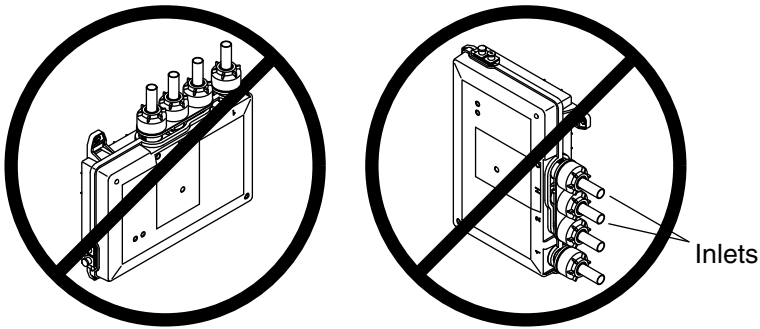
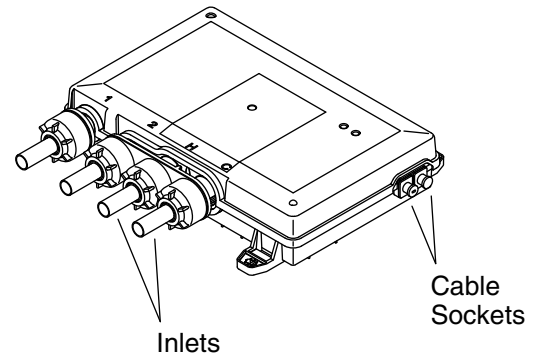
Before Operating the System for the First Time:

Download and install the latest software for connected components. This may take an hour or more to complete based on system configuration and internet connection speed. **Do not disconnect the power from any components during software download and installation.**

Mounting on a Vertical Surface



Mounting on a Horizontal Surface

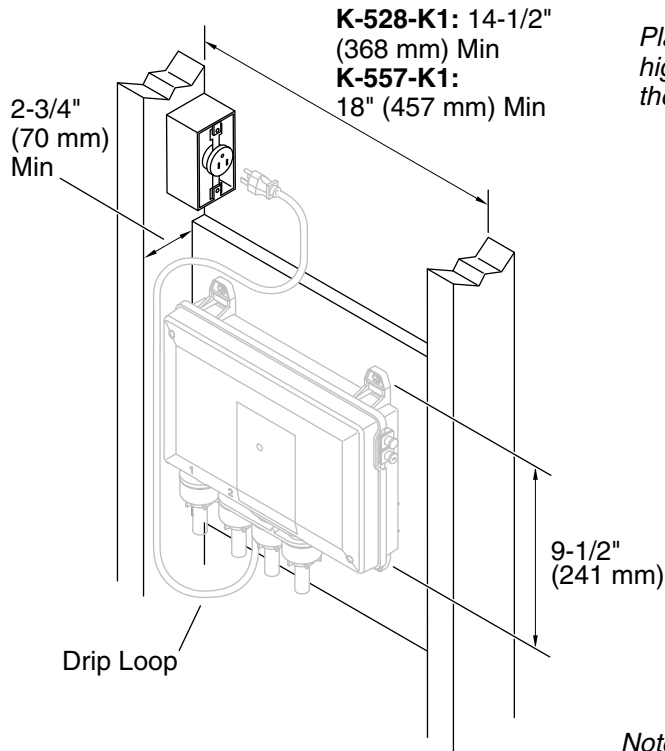


2. Mounting Configurations

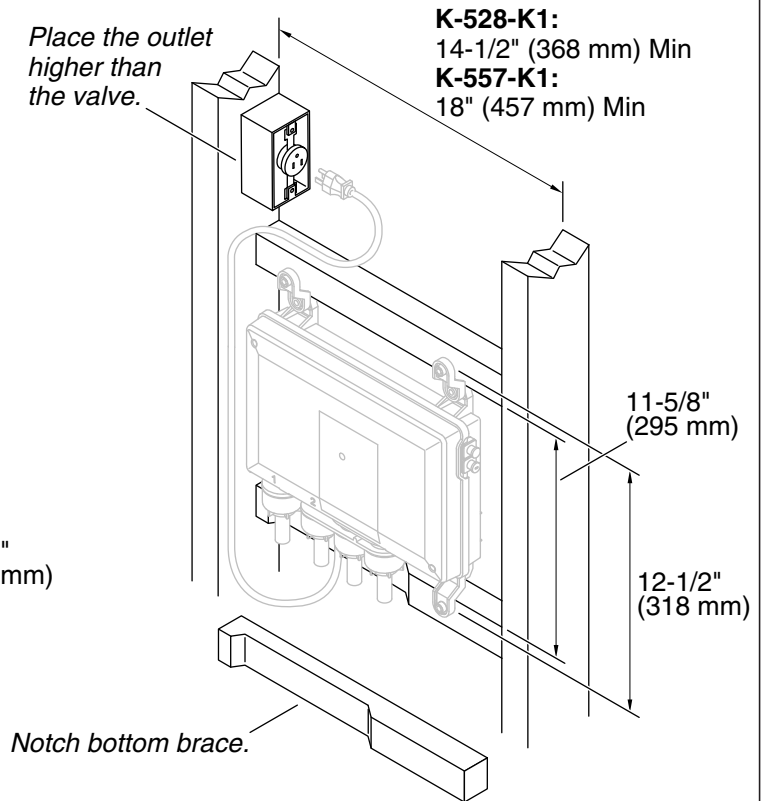
NOTICE: Do not mount the valve with the inlets pointing up or positioned above the outlet ports. Doing so will damage this product.

- The two-port valve is shown above. The same vertical or horizontal mounting configurations apply for the three-port valve.

Board Mount



Cross Brace Mount

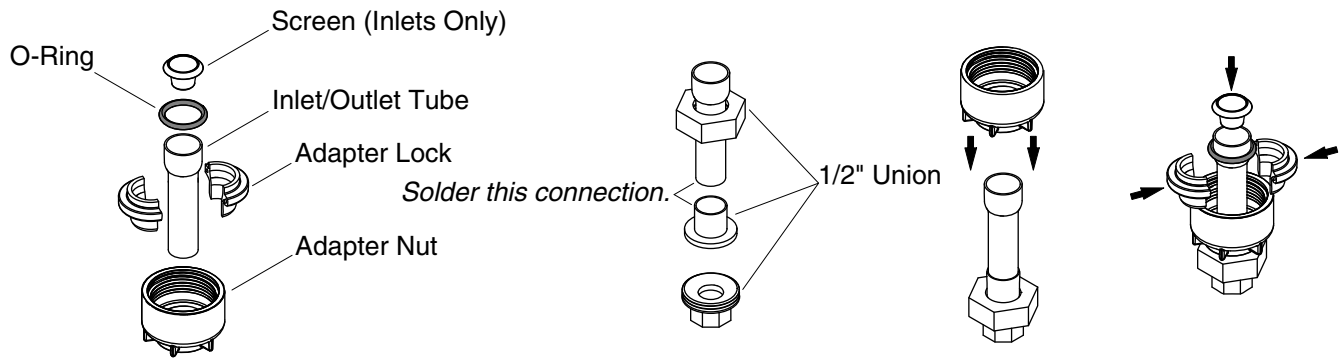


3. Prepare the Site

NOTICE: Do not install the valve under a whirlpool surround or any location where the temperature may exceed 104°F (40°C).

NOTE: Horizontal installation within a stud cavity is shown. The valve can also be mounted vertically or mounted to a horizontal surface. Refer to the "Mounting Configurations" section.

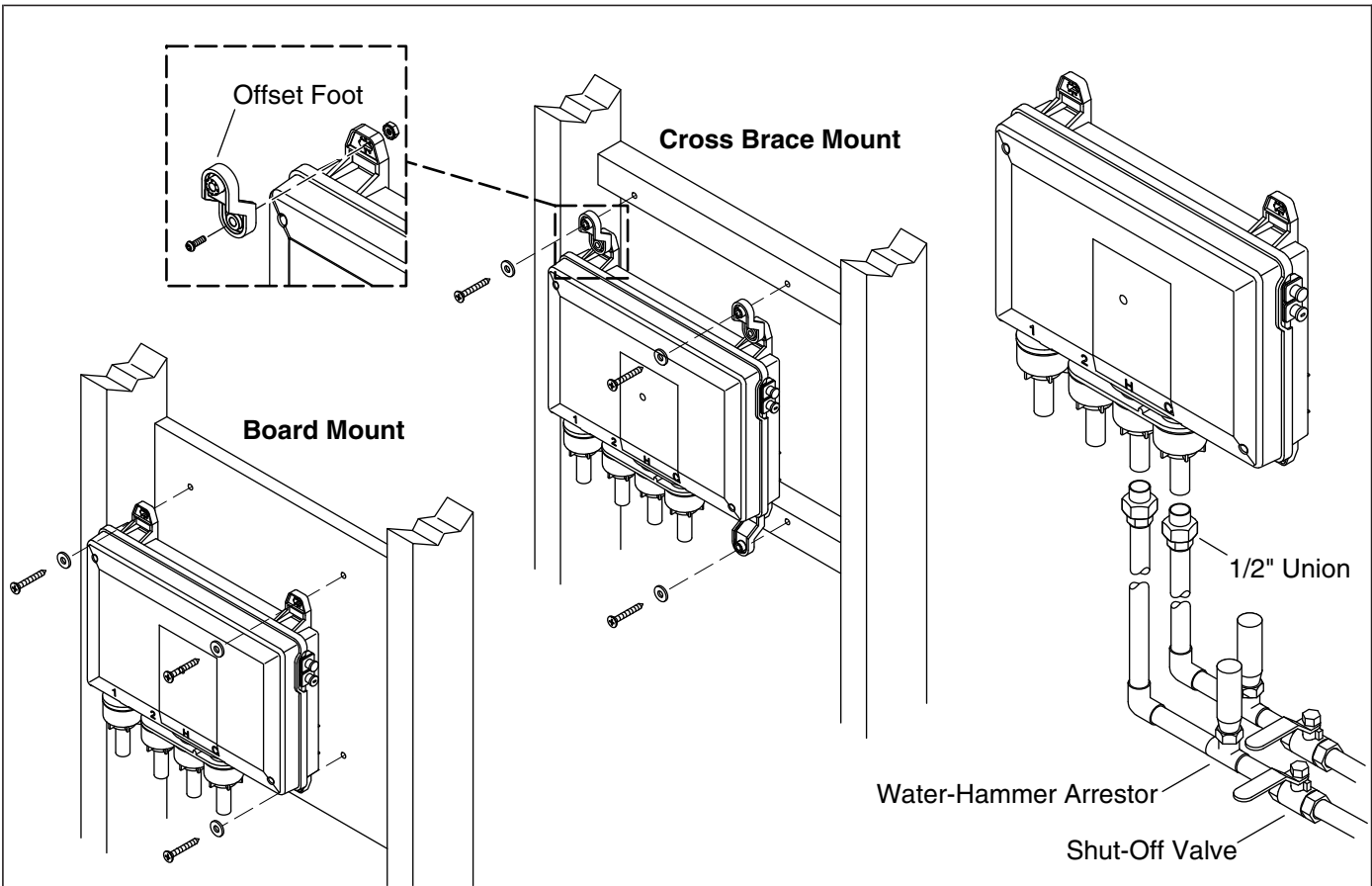
- **K-528-K1:** This product is designed to fit within a minimum 14-1/2" (368 mm) 2x4 stud cavity.
- **K-557-K1:** This product will not fit within a standard stud cavity. Construct a minimum 18" (457 mm) wide 2x4 stud cavity.
- Install adequate bracing for mounting the valve. Notch the bracing as needed to accommodate the inlets and outlets.
- Install a 120 V electrical outlet within the stud framing, close to the valve. Locate the outlet above the valve. A GFCI outlet may be required in some applications.



4. Assemble the Adapters and Unions

NOTICE: Do not apply excessive heat near the valve or apply flux or acids directly onto the valve. This valve contains plastic and rubber components that will melt if heat is directly applied.

- Disassemble the adapter. Ensure that all rubber and plastic components are removed.
- Slide the union nut onto the inlet/outlet tube.
- Solder the inlet/outlet tube to the union. Allow to cool completely.
- Assemble the union.
- Slide the adapter nut onto the inlet/outlet tube.
- Assemble the adapter lock onto the inlet/outlet tube and slide the assembly into the adapter nut.
- Slide the O-ring onto the inlet/outlet tube.
- **For inlet tubes only:** Insert the screen into the end of the inlet tube.
- Reinstall the adapter assembly to the valve.
- Repeat for all inlet/outlet tubes as required.



5. Install the Valve

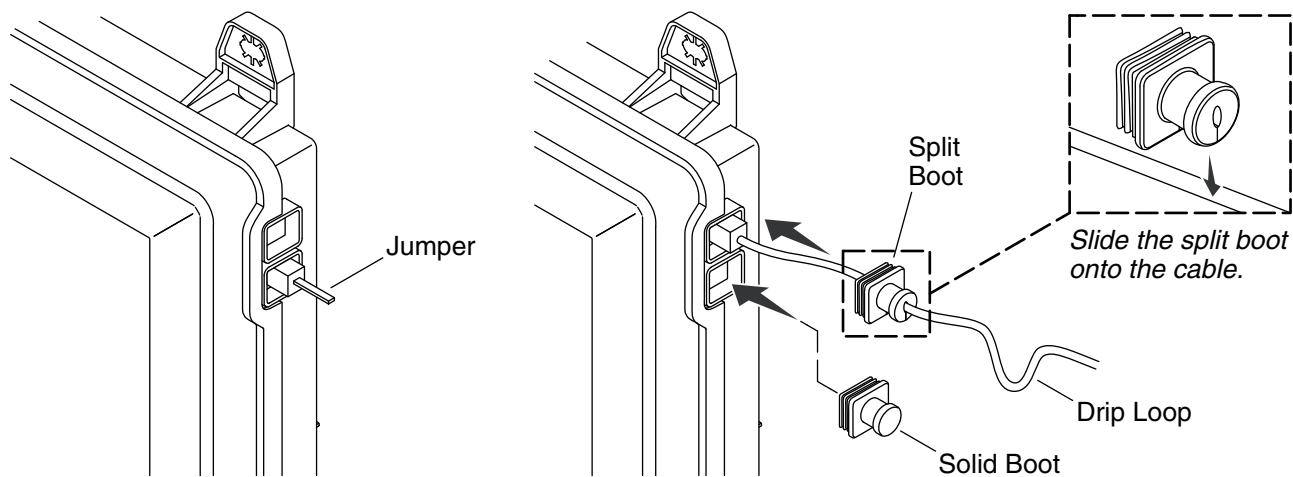
NOTICE: Do not apply excessive heat near the valve or apply flux or acids directly onto the valve. This valve contains plastic and rubber components that will melt if heat is directly applied.

IMPORTANT! If your water supply has high amounts of particulates, install wye strainers in the supply lines.

- Route the water supply lines. Use unions to install removable pipe segments to the valve inlets to allow access for periodic cleaning of the inlet screens.
- Install shut-off valves and water-hammer arrestors in the supply lines before the valve.
- Hold the valve up to the installation location. Verify fit and mark the hole locations.
- Pre-drill the holes.
- Secure the valve with the washers and screws. Do not overtighten.

IMPORTANT! Make sure that each shower fitting is connected to the appropriate valve outlet for your shower configuration. For shower configuration options, refer to the guide on the K-99695 controller product page at us.kohler.com.

- Route the piping from the valve outlets to the appropriate shower fitting.
- Connect the hot and cold supply lines to the appropriate valve inlets. Hot is red and marked with "HOT," cold is blue and marked with "COLD."
- Secure all piping to the framing.



6. Installation Checkout

Test for Leaks

- Turn on the water supply to the valve.
- Connect the jumper to the valve.
- Verify that there is power to the 120 V electrical outlet, then plug the power cord into the outlet.
- Wait 10 seconds for the valve to initialize; the outlets will activate.
- Check all connections for leaks.
- Disconnect the power, then remove the jumper.

Connect the Cables

NOTE: Make drip loops in all cables and cords.

- Install the K-99695 system controller according to the instructions packed with the product.
- Route the data cable in the wall between the controller and valve installation location.
- Attach a split boot to the data cable, toward the end that will connect to the valve.
- Connect the cable to the valve. Press the boot over the connection in the valve socket.
- Insert a solid boot into the unused socket.

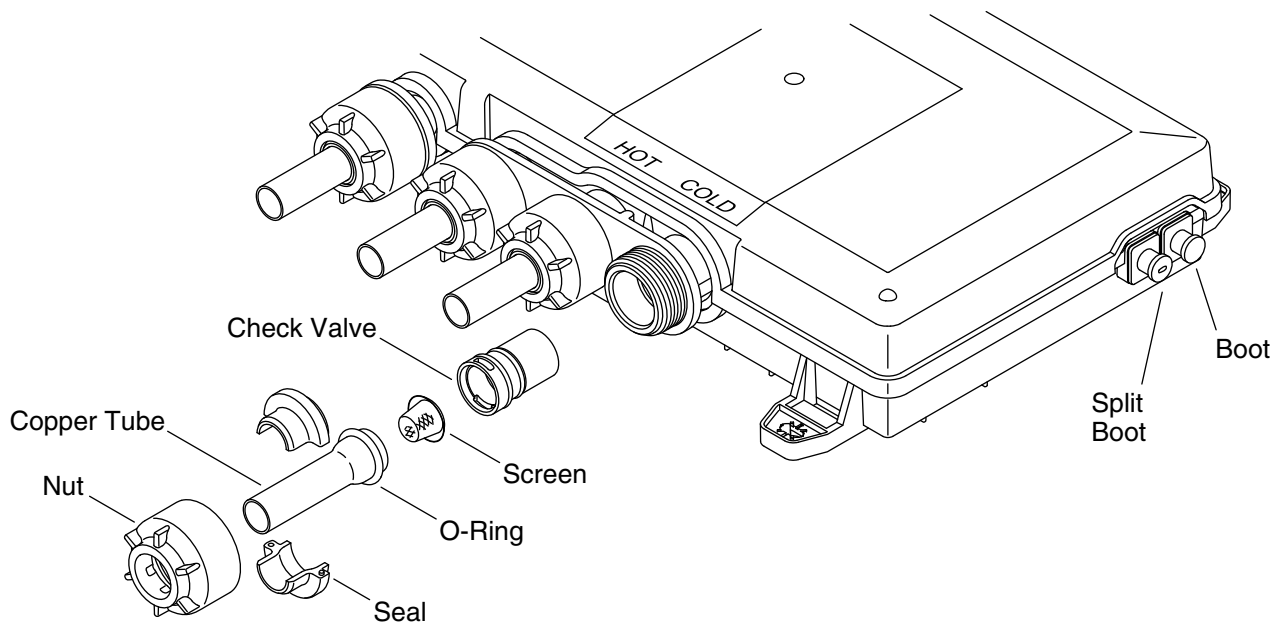
Configure the Valve (Requires an Installed Controller)

NOTE: Valves that have been recently installed, or have not been used for some time should be exercised before running tests or setting the maximum temperature.

- To configure valve setup, refer to the guide on the K-99695 controller product page at us.kohler.com.

Before Operating the System for the First Time:

Download and install the latest software for connected components. This may take an hour or more to complete based on system configuration and internet connection speed. **Do not disconnect the power from any components during software download and installation.**



7. Clean the Inlet Screens



CAUTION: Risk of personal injury. The valve may contain hot water; be careful when draining any residual water.

- Disconnect the power and turn off the water supply.
- Unthread the plastic nuts from the hot and cold inlets.
- Remove the copper tubes. The O-ring and screen may be attached to the end of the tube.
- If the screen remains in the check valve, use a small flat-blade screwdriver to gently pull the check valve from the valve inlet.
- Remove the screens from the copper tubes or check valves.
- Clean the screens to remove any dirt or debris.
- Rinse or replace the check valves and screens.
- Reassemble the inlet connections.

Troubleshooting



WARNING: Risk of electric shock. Disconnect power before servicing.

NOTICE: Valve maintenance should be performed by a KOHLER Authorized Service Representative (ASR).

NOTE: For DTV+ system troubleshooting, refer to the guide on the K-99695 controller product page at us.kohler.com.

NOTE: For service parts information, visit your product page at kohler.com/serviceparts.

This troubleshooting guide is for general aid only. For service and installation issues or concerns, call 1-800-4KOHLER.

Troubleshooting (cont.)

Troubleshooting Table

Symptoms	Probable Cause	Recommended Action
1. Valve will not turn on.	<p>A. Valve is not plugged into the outlet.</p> <p>B. Data cable connection may be loose or disconnected.</p> <p>C. Circuit breaker has been tripped.</p> <p>D. The valve memory may require resetting.</p> <p>E. If none of the recommended actions for the above issues correct the symptom, the valve or interface requires servicing.</p>	<p>A. Plug the valve into an outlet.</p> <p>B. Check the data cable connection, connect if needed.</p> <p>C. Reset the circuit breaker.</p> <p>D. Disconnect and reconnect the valve power cord from the electrical outlet.</p> <p>E. Contact your Kohler Co. Authorized Service Representative (ASR).</p>
2. The interface functions normally but no water flows from the shower fittings.	<p>A. Valve outlets may be blocked.</p> <p>B. Fittings/sprayfaces may be blocked.</p> <p>C. Hot and cold water supplies are not turned on.</p> <p>D. The valve memory may require resetting.</p> <p>E. System error.</p> <p>F. If none of the recommended actions for the above issues correct the symptom, the valve requires servicing.</p>	<p>A. Check the valve outlets for blockage or debris. Clean the outlet screens.</p> <p>B. Clean the sprayfaces and any screens in your fittings.</p> <p>C. Turn on the water supply to the valve.</p> <p>D. Disconnect and reconnect the valve power cord from the electrical outlet.</p> <p>E. Check the user interface for an error code. Refer to the guide on the K-99695 controller product page at us.kohler.com.</p> <p>F. Contact your Kohler Co. Authorized Service Representative (ASR).</p>
3. Maximum blend temperature too hot or too cold.	<p>A. Incorrect maximum temperature setting.</p> <p>B. If the above recommended action does not correct the symptom, the interface or valve requires servicing.</p>	<p>A. Set the maximum temperature. Refer to the guide on the K-99695 controller product page at us.kohler.com.</p> <p>B. Contact your Kohler Co. Authorized Service Representative (ASR).</p>
4. Continuous flow.	<p>A. System will not switch off.</p> <p>B. Flow rate exceeds 10 gal/min (45.5 l/min) from one outlet.</p>	<p>A. Turn off the water and power supply and contact your Kohler Co. Authorized Service Representative (ASR).</p> <p>B. Ensure that flow restrictors are installed in both outlets.</p>
5. Only cold water flows from the outlets.	<p>A. Hot water supply is either not turned on or not connected to the valve inlet.</p> <p>B. Hot water inlet is blocked.</p> <p>C. The hot water supply is exhausted.</p>	<p>A. Check if the hot water supply is turned on and connected to the valve inlet.</p> <p>B. Check the hot water inlet screen for blockage. Clean or replace the inlet screen.</p> <p>C. Allow time for the water heater to come up to temperature.</p>

Troubleshooting (cont.)

Troubleshooting Table

Symptoms	Probable Cause	Recommended Action
	D. If none of the recommended actions for the above issues correct the symptom, the valve requires servicing.	D. Contact your Kohler Co. Authorized Service Representative (ASR).
6. Fluctuating or reduced flow rate. Valve is functioning properly.	A. Valve inlets may be blocked. B. Fittings/Sprayfaces may be blocked. C. Water outlet pressure is low. D. Fluctuating supply pressure. E. Water supply temperatures are not within the recommended range.	A. Check the valve inlets for blockage or debris. Clean the inlet screens. Refer to the "Clean the Inlet Screens" section. B. Clean the sprayfaces and any screens in your fittings. C. Check that the flow rate is at or above the minimum rate required. Refer to "Specifications" section. D. Verify that the dynamic inlet pressures are within specifications. Refer to "Specifications" section. E. Check if inlet water temperatures are within the recommended range.
7. Blend temperature drift or temperature cycling.	A. Fluctuating water supply temperature. B. Pressure difference greater than 5 psi (34.5 kPa) between the hot and cold supply lines. C. If none of the recommended actions for the above issues correct the symptom, the valve requires servicing.	A. Check the inlet temperature differentials and verify that they are sufficient. Refer to "Specifications" section. B. Install pressure regulators to bring the supplies within 5 psi (34.5 kPa) of each other. C. Contact your Kohler Co. Authorized Service Representative (ASR).
8. Water leaking from the valve. CAUTION: Risk of personal injury or product damage. Turn off the main power and water supply.	A. Connections are not secure. B. Seals are worn or damaged. C. Internal leak.	A. Check all connections. Make adjustments as needed. B. Order a seal service pack and replace all seals. C. Unit requires overhaul. Contact your Kohler Co. Authorized Service Representative (ASR).
9. Hot water only, the valve shuts down.	A. Hot and cold lines are reversed.	A. Switch hot and cold water supply connections. Verify that the hot water supply is connected to the "Hot" inlet and the cold water supply is connected to the "Cold" inlet.

FCC, IC, and CE Compliance

Contains: Kohler Company, Model: K-528-PM-NA, FCC ID: SH6MDBT40, IC: 8017A-MDBT40

FCC Interference Statement

This device complies with Part 15 of the FCC Rules. Operation is subject to the following two conditions:

1. This device may not cause harmful interference, and
2. This device must accept any interference received, including interference that may cause undesired operation.

FCC, IC, and CE Compliance (cont.)

Changes or modifications not expressly approved by the party responsible for compliance could void the user's authority to operate the equipment.

This equipment has been tested and found to comply with the limits for a Class B digital device, pursuant to Part 15 of the FCC Rules. These limits are designed to provide reasonable protection against harmful interference in a residential installation. This equipment generates, uses, and can radiate radio frequency energy and, if not installed and used in accordance with the instructions, may cause harmful interference to radio communications. However, there is no guarantee that interference will not occur in a particular installation. If this equipment does cause harmful interference to radio or television reception, which can be determined by turning the equipment off and on, the user is encouraged to try to correct the interference by one or more of the following measures:

- Reorient or relocate the receiving antenna.
- Increase the separation between the equipment and receiver.
- Connect the equipment into an outlet on a circuit different from that to which the receiver is connected.
- Consult the dealer or an experienced radio/TV technician for help.

Industry Canada Statement

This device complies with Industry Canada licence-exempt RSS standard(s). Operation is subject to the following two conditions:

1. This device may not cause interference, and
2. This device must accept any interference, including interference that may cause undesired operation of the device.

CAN ICES-3(B) /NMB-3(B)

CE2200

Warranty

KOHLER® Electronic Faucets, Valves and Controls FIVE-YEAR LIMITED WARRANTY

Kohler Co. warrants that its electronic faucets, valves and controls will be free of defects in material and workmanship during normal residential use for five years from the date the product is installed. This warranty applies only to electronic faucets, valves and controls installed in the United States of America, Canada and Mexico ("North America").

If a defect is found in normal residential use, Kohler Co. will, at its election, repair, provide a replacement part or product, or make appropriate adjustment where Kohler Co.'s inspection discloses any such defect. Damage caused by accident, misuse, or abuse is not covered by this warranty. Improper care and cleaning will void the warranty*. Proof of purchase (original sales receipt) must be provided to Kohler Co. with all warranty claims. Kohler Co. is not responsible for labor charges, installation, or other incidental or consequential costs other than those noted above. In no event shall the liability of Kohler Co. exceed the purchase price of the faucet, valve or control.

If the electronic faucets, valves or controls are used commercially or are installed outside of North America, Kohler Co. warrants that the faucet, valve or control will be free from defects in material and workmanship for one (1) year from the date the product is installed, with all other terms of this warranty applying except duration.

If you believe that you have a warranty claim, contact your Home Center, Dealer, Plumbing Contractor or E-tailer. Please be sure to provide all pertinent information regarding your claim, including a complete description of the problem, the product, model number, the date the product was purchased, from whom the product was purchased and the installation date. Also include your original invoice. For other information, or to obtain the name and address of the service and repair facility nearest you, write Kohler Co., Attn: Customer Care Center, Kohler, Wisconsin 53044 USA, or by calling 1-800-4-KOHLER (1-800-456-4537) from within the USA and Canada, and 001-800-456-4537 from within Mexico, or visit www.kohler.com within the

Warranty (cont.)

USA, www.ca.kohler.com from within Canada, or www.mx.kohler.com in Mexico.

THE FOREGOING WARRANTIES ARE IN LIEU OF ALL OTHER WARRANTIES, EXPRESS OR IMPLIED, INCLUDING BUT NOT LIMITED TO THE IMPLIED WARRANTIES OF MERCHANTABILITY AND FITNESS FOR A PARTICULAR PURPOSE.

KOHLER CO. AND/OR SELLER DISCLAIM ANY LIABILITY FOR SPECIAL, INCIDENTAL OR CONSEQUENTIAL DAMAGES. Some states/provinces do not allow limitations on how long an implied warranty lasts or the exclusion or limitation of such damages, so these limitations and exclusions may not apply to you. This warranty gives the consumer specific legal rights. You may also have other rights that vary from state/province to state/province. This warranty is to the original consumer purchaser only, and excludes product damage due to installation error, product abuse, or product misuse, whether performed by a contractor, service company, or the consumer.

This is Kohler Co.'s exclusive written warranty.

*Never use cleaners containing abrasive cleansers, ammonia, bleach, acids, waxes, alcohol, solvents or other products not recommended for chrome. This will void the warranty.

Guide d'installation et d'entretien

Vanne thermostatique numérique pour DTV+

INSTRUCTIONS IMPORTANTES



AVERTISSEMENT: Lors de l'utilisation de produits électriques, toujours observer les précautions de base.



AVERTISSEMENT: Risque de décharge électrique. Tout le câblage électrique doit être réalisé par un électricien qualifié.



AVERTISSEMENT: Risque de décharge électrique. Déconnecter l'alimentation électrique avant d'effectuer un entretien.



AVERTISSEMENT: Des modifications non approuvées pourraient provoquer une mauvaise performance de la vanne. N'effectuer aucune modification sur la vanne, car cela pourrait avoir un effet indésirable sur la performance de celle-ci et annuler la garantie. Kohler Co. décline toute responsabilité sous sa garantie et pour toutes blessures ou tous dommages causés par de telles modifications non autorisées.



DANGER: Risque de blessures ou d'endommagement du matériel. Si le cordon d'alimentation est endommagé, il doit être remplacé par le fabricant, son représentant technique autorisé, ou un personnel qualifié afin d'éviter tout danger.



AVERTISSEMENT: Risque de blessures. Ce dispositif n'est pas prévu pour être utilisé par des personnes (y compris des enfants) ayant des capacités physiques, sensorielles ou mentales différentes ou réduites, ou qui manquent d'expérience ou de connaissances, sauf si elles sont sous la supervision d'une personne responsable pour leur sécurité ou si cette personne les éduque sur l'utilisation du dispositif. Les enfants doivent être supervisés afin d'assurer qu'ils n'utilisent pas ces dispositifs en tant que jouets.



AVERTISSEMENT: Risque de blessures ou d'endommagement du matériel. Lire toutes les instructions avec attention avant de commencer l'installation.

AVIS: Respecter tous les codes de plomberie, d'électricité et de construction.

AVIS: Certains codes électriques exigent un circuit protégé par un disjoncteur de fuite de terre (GFCI)*.

AVIS: Pour K-557-K1 : Si une prise protégée par un disjoncteur de fuite de terre (GFCI) est requise, connecter une seule vanne par prise.

AVIS: Fournir un accès libre à la vanne.

AVIS: Le débit minimum de cette vanne est de 1,6 gal/min (6 l/min).

*Hors de l'Amérique du Nord, ce dispositif peut être connu sous le nom de dispositif à courant résiduel (RCD).

Fonctionnement avec DTV+

- Pour connecter la vanne au système DTV+, le module de commande du système K-99695 est requis.
- Le câble de données fourni est utilisé pour connecter la vanne au module de commande du système.

INSTRUCTIONS IMPORTANTES (cont.)

□ Se référer à la section « Disposition du système DTV+ » dans ce guide.

Avant de faire fonctionner le système la première fois :

Télécharger et installer le dernier logiciel pour les composants connectés. Une heure ou plus peuvent être nécessaires en fonction de la configuration du système et de la vitesse de connexion internet. **Ne pas déconnecter l'alimentation électrique des composants pendant le téléchargement et l'installation du logiciel.**

Spécifications

Pressions

Pression statique maximale	125 psi, 862 kPa, 8,6 bars
Différentiel de pression d'alimentation*	Max 5 psi, 34,5 kPa, 0,34 bar (pressions égales recommandées.)
Débit minimum	1,6 gal/min (moins de 72 psi de pression dynamique.) 6 l/min (moins de 500 kPa de pression de maintien.)
	2,1 gal/min (plus de 72 psi de pression dynamique.) 8 l/min (plus de 500 kPa de pression de maintien.)

Températures

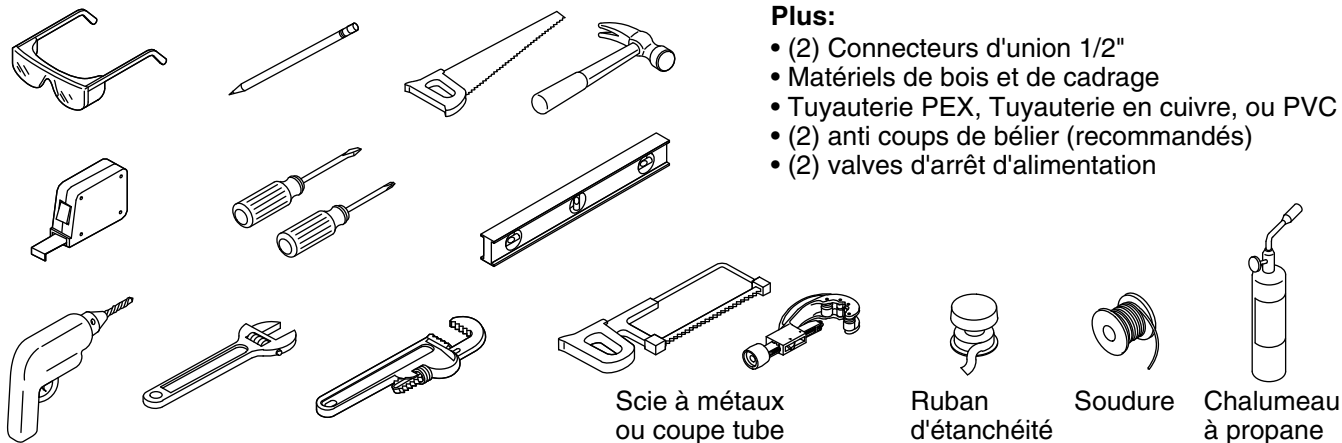
Température programmable	Max 120°F (49°C) Min 86°F (30°C) <i>L'option entièrement froid peut également être sélectionnée.</i>
Température par défaut au démarrage	100°F (38°C)
Différentiel de température mélangée minimum en provenance de l'alimentation en eau chaude	3,6°F (2°C)
Stabilité de température aux conditions d'alimentation recommandées	+/- 1,6°F (1°C)
Température ambiante	Plus de 34°F (1°C), Max 104°F (40°C)
Humidité relative maximale	95 % sans condensation

Système électrique

Caractéristiques électriques	120 V, 0,16 A, 60 Hz
Longueur du câble de données	25 pi (7,6 m)

* Dans les applications commerciales où il y a une grande différence en pressions d'alimentation en eau chaude et en eau froide ou si l'on prévoit une fluctuation fréquente dans l'une des conduites d'alimentation, il est vivement recommandé d'installer des régulateurs de pression.

Outils et matériel



Avant de commencer

AVIS: Ne pas installer la vanne sous un encadrement de baignoire à hydromassage ni dans des endroits où la température pourrait dépasser 104°F (40°C). La vanne et son alimentation électrique intégrée sont destinées à fonctionner à des températures de 104°F (40°C) maximum.

AVIS: Ne pas appliquer de chaleur excessive à proximité de la vanne et ne pas appliquer de flux ou d'acides directement sur la vanne. Cette vanne contient des éléments en plastique et en caoutchouc qui fondent en cas d'application directe de chaleur.

AVIS: Ne pas appliquer de lubrifiants à base de pétrole sur les composants de la vanne. Cela pourrait endommager les composants de la vanne.

AVIS: Ne pas utiliser de composés à base d'huile ou à haute dispersion, comme du mastic de plombier, sur les raccords filetés.

AVIS: Ne pas retirer les clapets de non retour des orifices d'entrée, étant donné que cela pourrait endommager le produit.

AVIS: Si la vanne est utilisée pour une application de baignoire/douche, la conduite d'arrivée de remplissage de la baignoire doit être acheminée à partir du port de sortie #1.

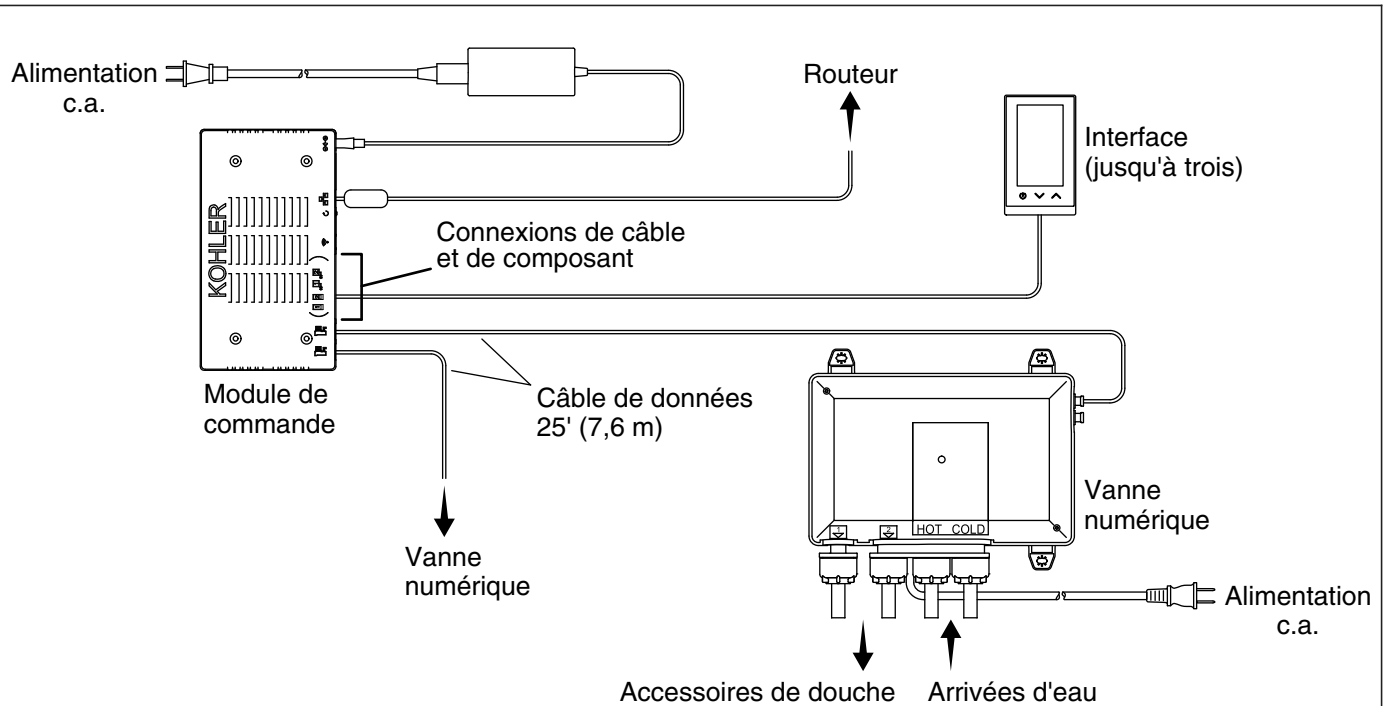
- Lire ces instructions et déterminer les emplacements de tous les composants requis avant de commencer l'installation. Pour les options de configuration de douches, se référer au guide, sur la page de produit du module de commande K-99695 à us.kohler.com.
- Si possible, purger complètement tous les tuyaux avant d'installer la vanne. Si les tuyaux sont purgés après l'installation de la vanne, nettoyer les grilles d'entrée avant d'utiliser le système.
- Un électricien qualifié doit poser une prise électrique de 120 V, dans l'ossature, à proximité de la vanne. Une prise pour disjoncteur de fuite de terre (GFCI) pourrait être requise dans certaines applications.
- Si possible, installer la prise électrique avant d'installer la vanne.

Applications pour plusieurs vanes

- Les configurations de douche utilisant des volumes d'eau importants exigent une tuyauterie d'alimentation et des systèmes d'évacuation qui s'adaptent suffisamment au débit total réel à tout moment.

Avant de commencer (cont.)

- **Génération d'eau chaude :** Utiliser un système de chauffage d'eau capable de prendre en charge des débits importants. Les chauffe-eau sans réservoir (sur demande) et les pompes de recirculation pourraient ne pas être adéquats pour votre configuration de douche.



1. Disposition du système DTV+

Le module de commande du système K-99695 alimente l'interface ou les interfaces et commande la ou les vannes numériques ainsi que les autres composants du système. Le module de commande est requis pour configurer la ou les vannes.

AVIS: Si la vanne est utilisée pour une application de baignoire/douche, la conduite d'arrivée de remplissage de la baignoire doit être acheminée à partir du port de sortie #1.

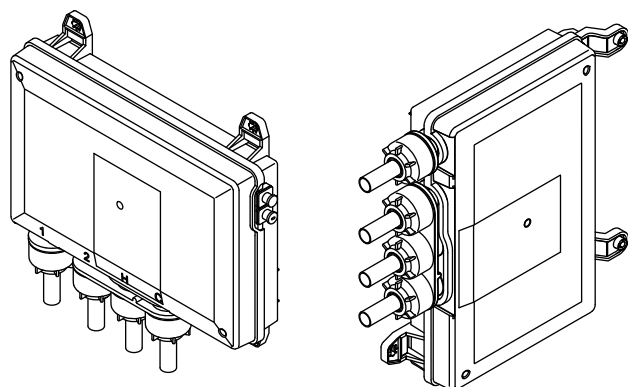
AVIS: Les configurations de douches personnalisées pourraient ne pas permettre l'activation de certaines caractéristiques. Pour les options de configuration de douches, se référer au guide, sur la page de produit du module de commande K-99695 à us.kohler.com.

- Déterminer les emplacements de tous les composants requis, y compris les raccords de la douche.
- Un câble de données est fourni pour connecter la vanne au module de commande. Si la vanne n'est pas comprise dans un rayon de 25 po (7,6 m) du module de commande, utiliser un câble plus long, de style téléphone, ou ajouter un câble de rallonge.
- Lors de l'acheminement de la tuyauterie, s'assurer que chaque raccord de douche se connecte à l'orifice de sortie de vanne approprié pour la configuration en question.

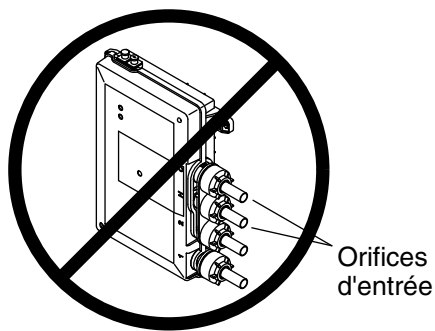
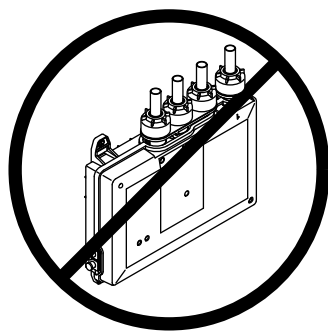
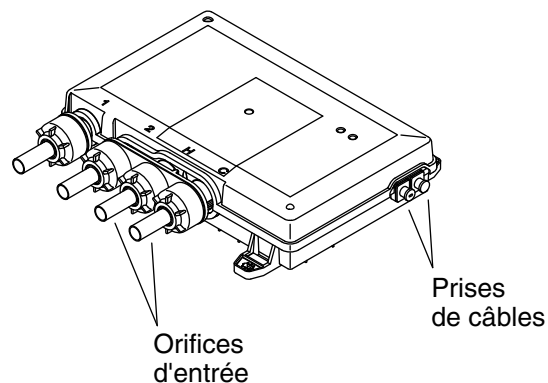
Avant de faire fonctionner le système la première fois :

Télécharger et installer le dernier logiciel pour les composants connectés. Une heure ou plus peuvent être nécessaires en fonction de la configuration du système et de la vitesse de connexion internet. **Ne pas déconnecter l'alimentation électrique des composants pendant le téléchargement et l'installation du logiciel.**

Montage sur une surface verticale



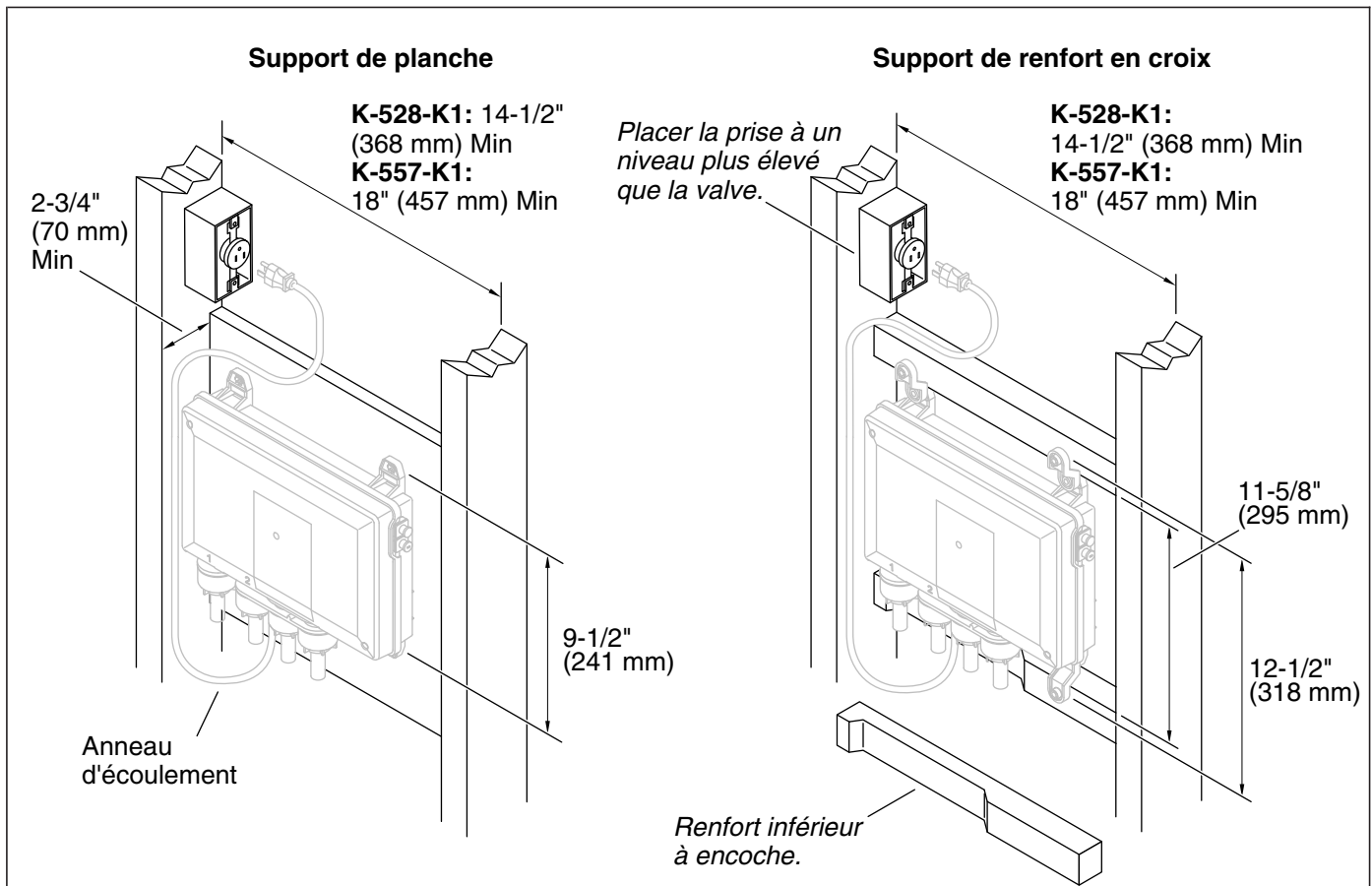
Montage sur une surface horizontale



2. Configurations de montage

AVIS: Ne pas monter la vanne avec les orifices d'entrée dirigés vers le haut ou positionnés au-dessus les ports de sortie. Cela pourrait endommager ce produit.

- La vanne à deux ports est illustrée ci-dessus. Les mêmes configurations de fixation verticale ou horizontale sont appliquées pour les vannes à trois ports.

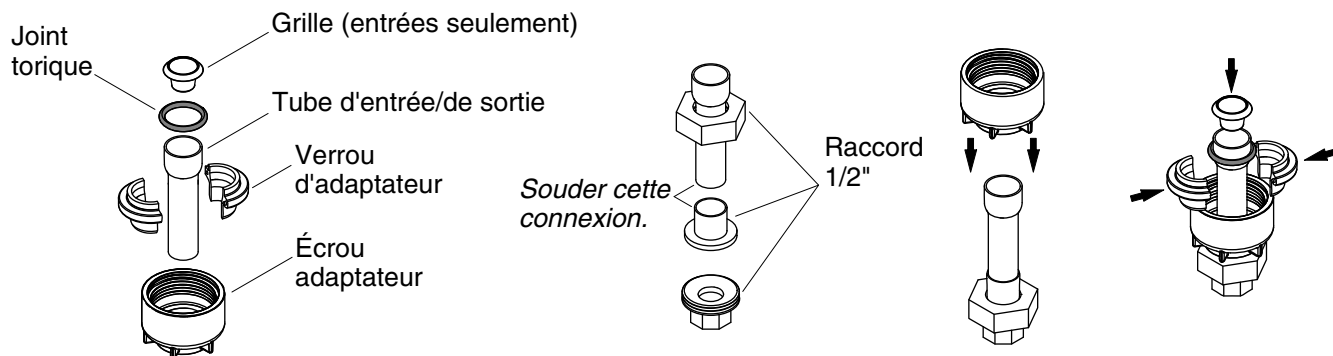


3. Préparer le site

AVIS: Ne pas installer la vanne sous un encadrement de baignoire à hydromassage ni dans des endroits où la température pourrait dépasser 104°F (40°C).

REMARQUE: Une installation horizontale dans une cavité de montant est illustrée. La vanne peut également être montée verticalement ou elle peut être montée sur une surface horizontale. Se référer à la section « Configurations de montage ».

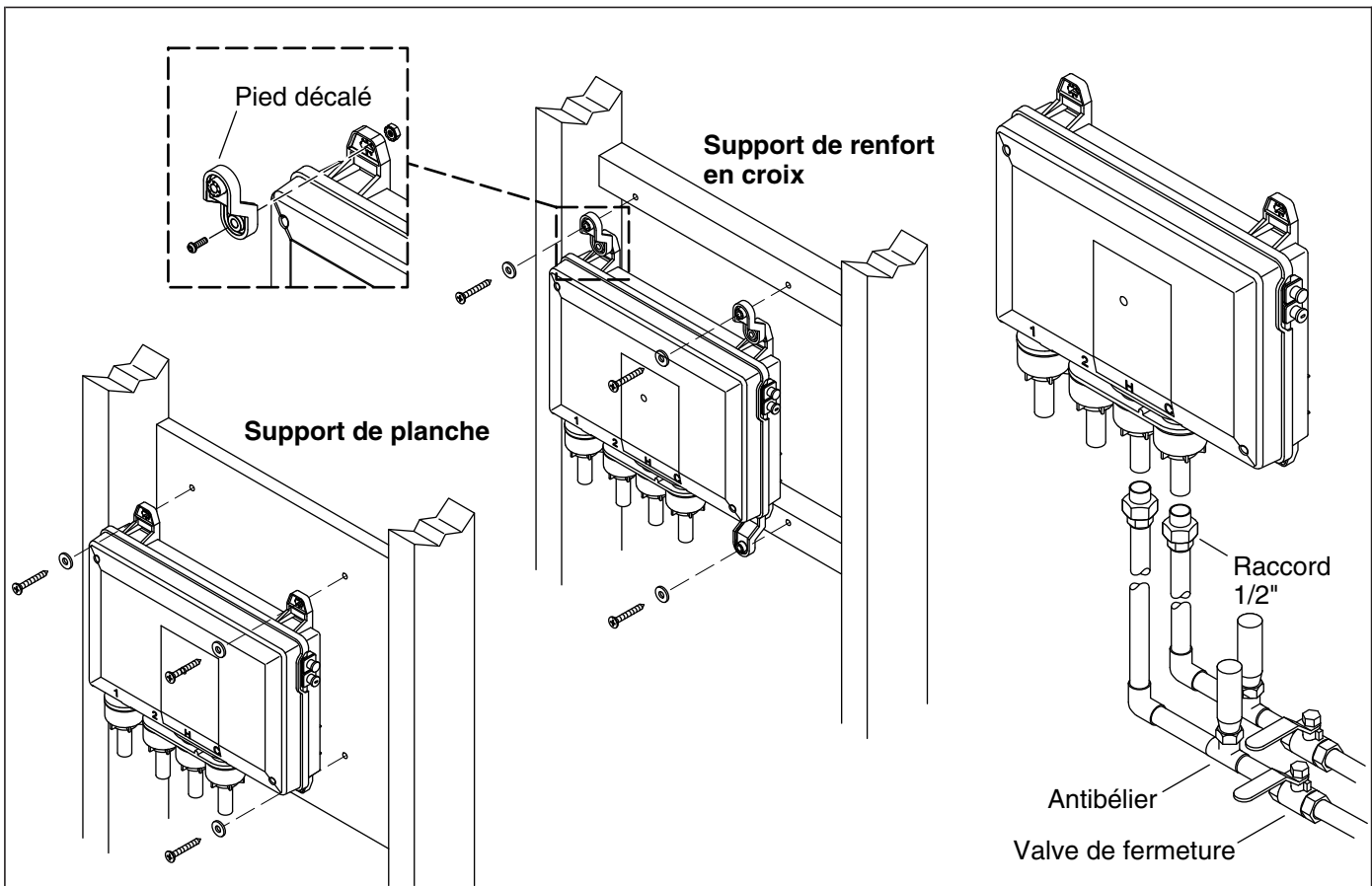
- **K-528-K1** : Ce produit est conçu pour s'adapter à une cavité de montant 2x4 de 14-1/2 po (368 mm).
- **K-557-K1** : **Ce produit ne s'adapte pas dans une cavité de montant standard.** Construire une cavité de montant 2x4 d'une largeur minimum de 18 po (457 mm).
- Installer l'ossature adéquate pour la fixation de la vanne. Mettre un cran dans l'entretoise selon les besoins pour adapter les orifices d'entrée et de sortie.
- Installer une prise électrique de 120 V, dans l'ossature, à proximité de la vanne. Positionner la prise au-dessus de la vanne. Une prise pour disjoncteur de fuite de terre (GFCI) pourrait être requise dans certaines applications.



4. Assembler les adaptateurs et les raccords

AVIS: Ne pas appliquer de chaleur excessive à proximité de la vanne et ne pas appliquer de flux ou d'acides directement sur la vanne. Cette vanne contient des éléments en plastique et en caoutchouc qui fondent en cas d'application directe de chaleur.

- Désassembler l'adaptateur. S'assurer que tous les composants en caoutchouc et en plastique sont retirés.
- Faire glisser l'écrou du raccord sur le tube d'entrée/de sortie.
- Souder le tube d'entrée/de sortie sur le raccord. Laisser entièrement refroidir.
- Assembler le raccord.
- Faire glisser l'écrou de l'adaptateur sur le tube d'entrée/de sortie.
- Assembler le verrou de l'adaptateur sur le tube d'entrée/de sortie et faire glisser l'ensemble dans l'écrou de l'adaptateur.
- Faire glisser le joint torique sur le tube d'entrée/de sortie.
- Pour les tubes d'entrée seulement :** Insérer la grille dans l'extrémité du tube d'entrée.
- Réinstaller l'ensemble de l'adaptateur sur la vanne.
- Répéter pour tous les tubes d'entrée/de sortie tel que requis.



5. Installer le robinet

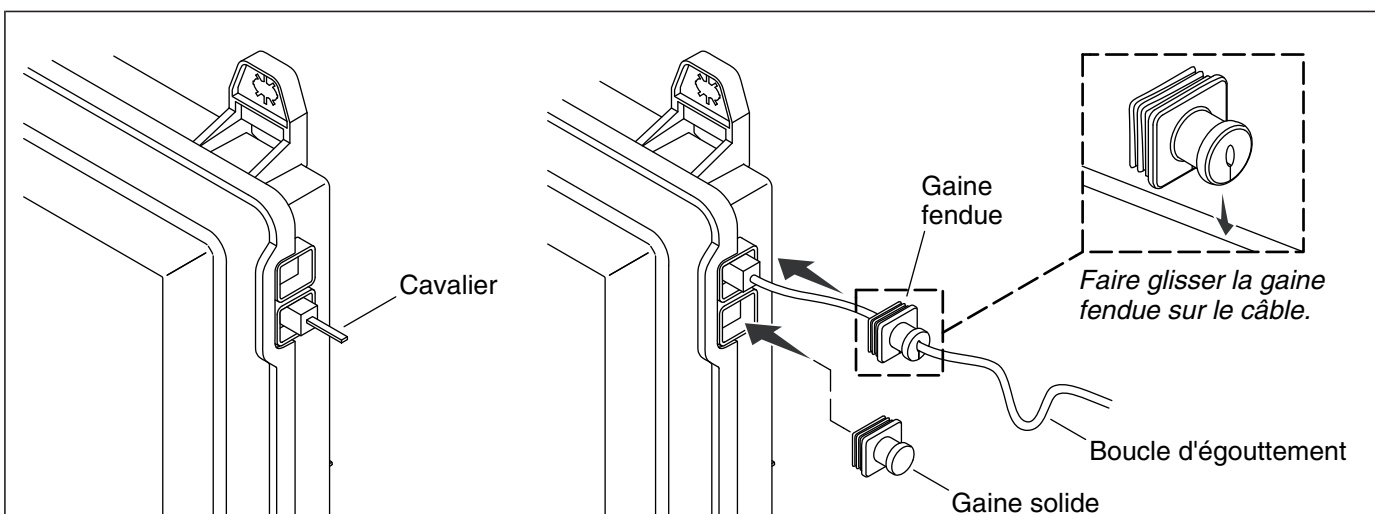
AVIS: Ne pas appliquer de chaleur excessive à proximité de la vanne et ne pas appliquer de flux ou d'acides directement sur la vanne. Cette vanne contient des éléments en plastique et en caoutchouc qui fondent en cas d'application directe de chaleur.

IMPORTANT! Si l'arrivée d'eau en question contient une quantité importante de particules, poser des filtres à tamis de type Y dans les conduites d'alimentation.

- Acheminer les conduites d'alimentation en eau. Utiliser des raccords pour installer des segments de tuyaux amovibles sur les orifices d'entrée des vannes afin de permettre un accès périodique pour le nettoyage des grilles d'entrée.
- Installer des robinets d'arrêt et des antibéliers dans les conduites d'alimentation avant la vanne.
- Tenir la vanne au niveau de l'emplacement d'installation. Vérifier qu'elle est bien adaptée et marquer les emplacements des trous.
- Prépercer les trous.
- Sécuriser la vanne avec les rondelles et les vis. Ne pas trop serrer.

IMPORTANT! S'assurer que chaque raccord de douche se connecte à l'orifice de sortie de vanne approprié pour la configuration de douche en question. Pour les options de configuration de douches, se référer au guide, sur la page de produit du module de commande K-99695 à us.kohler.com.

- Acheminer les tuyaux entre les orifices de sortie de la vanne et le raccord approprié de la douche.
- Raccorder les conduites d'arrivée d'eau chaude et d'eau froide aux orifices d'entrée de vannes correspondants. L'eau chaude est rouge et est marquée d'un « HOT », l'eau froide est bleue et est marquée d'un « COLD ».
- Sécuriser toute la tuyauterie en place sur l'ossature.



6. Vérification de l'installation

Rechercher des fuites

- Ouvrir l'arrivée d'eau vers la vanne.
- Connecter le cavalier à la vanne.
- Vérifier que la prise électrique de 120 V est sous tension, puis brancher le cordon d'alimentation dans la prise.
- Attendre 10 secondes pour laisser la vanne s'initialiser; les sorties s'activent.
- Inspecter tous les raccords pour y rechercher des fuites.
- Déconnecter l'alimentation électrique, puis retirer le cavalier.

Connecter les câbles

REMARQUE: Créer des boucles d'égouttement dans tous les câbles et cordons.

- Installer le module de commande du système K-99695 selon les instructions accompagnant le produit.
- Acheminer le câble de données dans le mur, entre l'emplacement d'installation du module de commande et de la vanne.
- Attacher une gaine fendue sur le câble de données, vers l'extrémité qui sera connectée à la vanne.
- Connecter le câble à la vanne. Enfoncer la gaine par-dessus la connexion dans la douille de la vanne.
- Insérer une gaine solide dans la douille non utilisée.

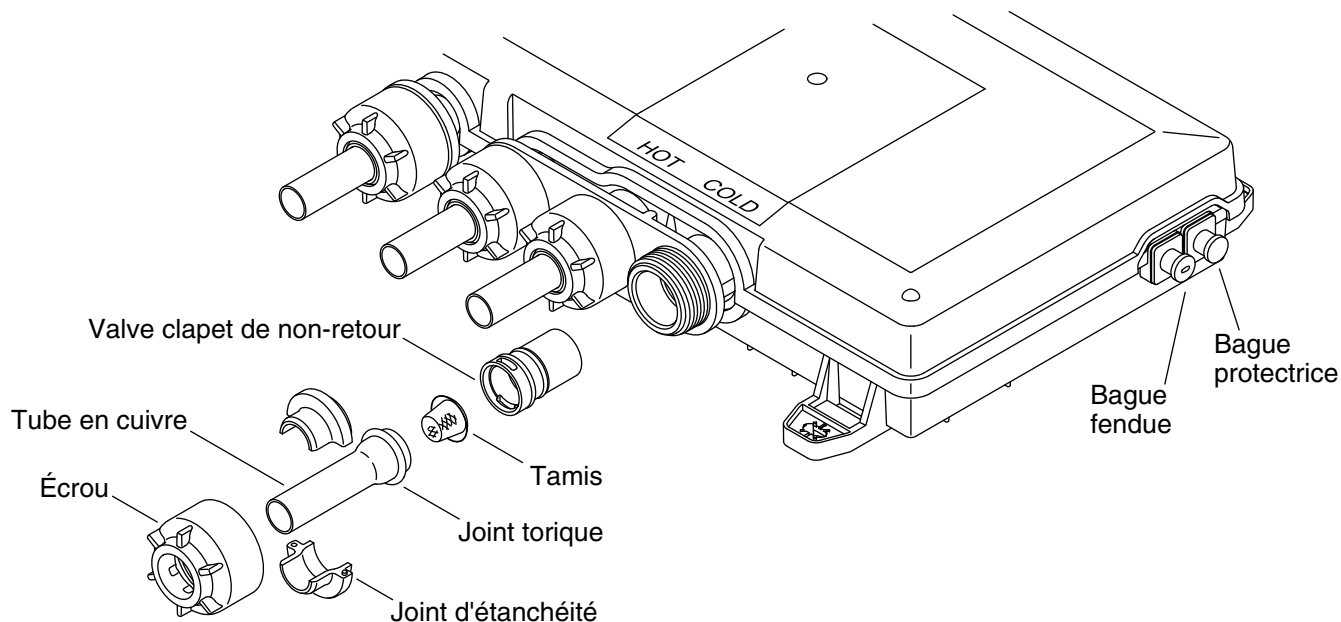
Configurer la vanne (exige l'installation d'un module de commande)

REMARQUE: Les vannes qui ont été installées récemment ou qui n'ont pas été utilisées pendant un certain temps doivent être activées avant l'exécution des essais ou le réglage de la température maximum.

- Pour les configurations de vannes, consulter la page de produit du module de commande K-99695 à us.kohler.com.

Avant de faire fonctionner le système la première fois :

Télécharger et installer le dernier logiciel pour les composants connectés. Une heure ou plus peuvent être nécessaires en fonction de la configuration du système et de la vitesse de connexion internet. **Ne pas déconnecter l'alimentation électrique des composants pendant le téléchargement et l'installation du logiciel.**



7. Nettoyer les grilles d'entrée



ATTENTION: Risque de blessures. La vanne peut contenir de l'eau chaude; faire attention lors de la purge de toute eau résiduelle.

- Débrancher l'alimentation électrique et couper l'alimentation en eau.
- Dévisser les écrous en plastique des entrées d'eau chaude et froide.
- Retirer les tubes en cuivre. Le joint torique et la grille peuvent être attachés sur l'extrémité du tube.
- Si la grille reste dans le clapet de non-retour, utiliser un petit tournevis à petite lame pour tirer doucement sur le clapet de non-retour afin de le retirer de l'entrée de la vanne.
- Retirer les grilles des tubes en cuivre ou des clapets de non-retour.
- Nettoyer les grilles pour retirer toutes les saletés ou tous les débris.
- Rincer ou remplacer les clapets de non-retour et les grilles.
- Réassembler les connexions des orifices d'entrée.

Dépannage



AVERTISSEMENT: Risque de décharge électrique. Déconnecter l'alimentation électrique avant d'effectuer un entretien.

AVIS: L'entretien des vannes doit être effectué par un représentant technique agréé de KOHLER (ASR).

REMARQUE: Pour le dépannage du système DTV+, se référer au guide sur la page du produit du module de commande K-99695 à us.kohler.com.

REMARQUE: Pour tout renseignement sur les pièces de rechange, visiter la page du produit sur le site kohler.com/serviceparts.

Ce guide de dépannage est seulement destiné à fournir une aide d'ordre général. Pour des problèmes ou questions concernant l'entretien et l'installation, composer le 1-800-4KOHLER.

Dépannage (cont.)

Tableau de dépannage

Symptômes	Cause probable	Action recommandée
1. La vanne ne se met pas en marche.	<p>A. La vanne n'est pas branchée dans la prise.</p> <p>B. Les connexions du câble de données pourraient être desserrées ou déconnectées.</p> <p>C. Le disjoncteur s'est déclenché.</p> <p>D. La mémoire de la vanne devra peut-être être réinitialisée.</p> <p>E. Si aucune des mesures recommandées pour les problèmes susmentionnés ne corrigent la défaillance, il sera nécessaire de réparer la vanne ou l'interface.</p>	<p>A. Brancher la vanne dans une prise.</p> <p>B. Vérifier la connexion du câble de données, et connecter si nécessaire.</p> <p>C. Réarmer le disjoncteur.</p> <p>D. Déconnecter et reconnecter le cordon d'alimentation électrique de la vanne en provenance de la prise électrique.</p> <p>E. Contacter un représentant technique agréé de Kohler Co. (ASR).</p>
2. L'interface fonctionne normalement mais il n'y a pas de débit d'eau en provenance des raccords de la douche.	<p>A. Les sorties de la vanne pourraient être obstruées.</p> <p>B. Les raccords/les parties avant du vaporisateur pourraient être obstrués.</p> <p>C. Les arrivées d'eau chaude et d'eau froide ne sont pas ouvertes.</p> <p>D. La mémoire de la vanne devra peut-être être réinitialisée.</p> <p>E. Erreur système.</p> <p>F. Si aucune des mesures recommandées pour les problèmes susmentionnés ne corrigent la défaillance, il sera nécessaire de réparer la vanne.</p>	<p>A. Inspecter les sorties de la vanne afin d'y détecter des blocages ou des débris. Nettoyer les grilles de sortie.</p> <p>B. Nettoyer les parties avant du vaporisateur et toutes les grilles dans les raccords.</p> <p>C. Ouvrir l'arrivée d'eau vers la vanne.</p> <p>D. Déconnecter et reconnecter le cordon d'alimentation électrique de la vanne en provenance de la prise électrique.</p> <p>E. Examiner l'interface utilisateur pour y rechercher un code d'erreur. Se référer au guide, sur la page de produit du module de commande K-99695 à us.kohler.com.</p> <p>F. Contacter un représentant technique agréé de Kohler Co (ASR).</p>
3. La température maximale de mélange est trop chaude ou trop froide.	<p>A. Réglage de température maximale incorrect.</p> <p>B. Si la mesure recommandée ci-dessus ne rectifie pas le problème, il sera nécessaire de réparer l'interface ou la vanne.</p>	<p>A. Régler la température maximale. Se référer au guide, sur la page de produit du module de commande K-99695 à us.kohler.com.</p> <p>B. Contacter un représentant technique agréé de Kohler Co. (ASR).</p>
4. Débit continu.	<p>A. Le système ne s'éteint pas.</p> <p>B. Le débit dépasse 10 gal/min (45,5 l/min) en provenance d'une sortie.</p>	<p>A. Couper l'eau et l'alimentation électrique et contacter un représentant technique agréé de Kohler Co. (ASR).</p> <p>B. S'assurer que les limiteurs de débit sont installés dans les deux sorties.</p>

Dépannage (cont.)

Tableau de dépannage

Symptômes	Cause probable	Action recommandée
5. Les sorties d'eau ne fournissent que de l'eau froide.	<p>A. Soit l'arrivée d'eau chaude n'est pas ouverte, soit elle n'est pas connectée à l'orifice d'entrée de la vanne.</p> <p>B. L'orifice d'entrée de l'eau chaude est obstrué.</p> <p>C. L'alimentation en eau chaude est épuisée.</p> <p>D. Si aucune des mesures recommandées pour les problèmes susmentionnés ne corrigent la défaillance, il sera nécessaire de réparer la vanne.</p>	<p>A. Vérifier si l'arrivée d'eau chaude est ouverte et si elle est connectée à l'orifice d'entrée de la vanne.</p> <p>B. Inspecter la grille d'entrée de chaude pour y rechercher une obstruction. Nettoyer ou remplacer la grille de l'orifice d'entrée.</p> <p>C. Attendre que le chauffe-eau atteigne la température voulue.</p> <p>D. Contacter un représentant technique agréé de Kohler Co. (ASR).</p>
6. Fluctuation ou réduction du débit. La vanne fonctionne correctement.	<p>A. Les entrées de la vanne pourraient être obstruées.</p> <p>B. Les raccords/les parties avant du vaporisateur pourraient être obstrués.</p> <p>C. La pression de sortie d'eau est faible.</p> <p>D. Fluctuation de la pression d'alimentation.</p> <p>E. Les températures d'alimentation en eau ne sont pas comprises dans la plage recommandée.</p>	<p>A. Inspecter les entrées de la vanne afin d'y rechercher des blocages ou des débris. Nettoyer les grilles d'entrée. Se référer à la section « Nettoyer les grilles d'entrée ».</p> <p>B. Nettoyer les parties avant du vaporisateur et toutes les grilles dans les raccords.</p> <p>C. Vérifier que le débit est au débit minimum ou au-dessus du débit minimum requis. Se référer à la section « Spécifications ».</p> <p>D. Vérifier que les pressions d'entrée dynamiques sont conformes aux spécifications. Se référer à la section « Spécifications ».</p> <p>E. Vérifier si les températures de l'eau d'arrivée sont comprises dans la plage recommandée.</p>
7. Dérive de température mixte ou cycle de température.	<p>A. Fluctuation de la température d'arrivée d'eau.</p> <p>B. Différence de pression supérieure à 5 psi (34,5 kPa) entre les conduites d'arrivée d'eau chaude et d'eau froide.</p> <p>C. Si aucune des mesures recommandées pour les problèmes susmentionnés ne corrigent la défaillance, il sera nécessaire de réparer la vanne.</p>	<p>A. Examiner les différentiels de température d'entrée et s'assurer qu'ils sont suffisants. Se référer à la section « Spécifications ».</p> <p>B. Installer des régulateurs de pression pour amener les alimentations à 5 psi (34,5 kPa) entre elles.</p> <p>C. Contacter un représentant technique agréé de Kohler Co. (ASR).</p>
8. Fuite d'eau en provenance de la vanne. ATTENTION : Risque de blessures ou d'endommagement du produit. Couper l'alimentation électrique principale et l'alimentation en eau.	<p>A. Les connexions ne sont pas sécurisées.</p> <p>B. Les joints sont usés ou endommagés.</p> <p>C. Fuite interne.</p>	<p>A. Examiner toutes les connexions. Régler selon les besoins.</p> <p>B. Commander un kit d'entretien de joints et remplacer tous les joints.</p> <p>C. L'appareil nécessite une remise en état. Contacter un représentant technique agréé de Kohler Co. (ASR).</p>

Dépannage (cont.)

Tableau de dépannage

Symptômes	Cause probable	Action recommandée
9. Eau chaude uniquement, la vanne s'arrête.	A. Les conduites d'eau chaude et d'eau froide sont inversées.	A. Échanger les connexions d'arrivée d'eau chaude et d'eau froide. Vérifier que l'arrivée d'eau chaude est connectée à l'entrée « Hot » (Chaud) et que l'arrivée d'eau froide est connectée à l'entrée « Cold » (Froid).

Conformité FCC, IC et CE

Contenu : Kohler Company, Modèle : K-528-PM-NA, ID FCC : SH6MDBT40, IC : 8017A-MDBT40

Déclaration d'interférence FCC

Cet appareil est conforme à la section 15 des réglementations de la FCC. L'exploitation est autorisée aux deux conditions suivantes :

1. Cet appareil ne doit pas provoquer d'interférences néfastes, et
2. Cet appareil doit tolérer les interférences reçues, y compris celles qui risquent de provoquer un fonctionnement indésirable.

Tous changements ou modifications non expressément approuvés par la partie responsable garantissant la conformité, pourraient annuler le droit à l'utilisateur d'opérer l'équipement.

Cet appareil a été testé et est considéré conforme aux limitations d'un appareil numérique de classe B, selon la section 15 des réglementations FCC. Ces limites sont conçues pour fournir une protection raisonnable contre toute interférence nuisible lors d'une installation résidentielle. Cet appareil génère, utilise et peut émettre une énergie de radiofréquence et, s'il n'est pas installé et utilisé conformément aux instructions, pourrait être la cause d'interférences nuisibles aux communications par radio. Cependant, il n'est pas garanti qu'aucune interférence n'aura lieu dans une installation particulière. Si cet appareil cause des interférences nuisibles à la réception radio ou télévision, ce qui peut être déterminé en éteignant l'appareil et en le rallumant, il est recommandé d'essayer de rectifier cette interférence en prenant l'une ou plusieurs des mesures suivantes :

- Réorienter ou changer l'emplacement de l'antenne de réception.
- Augmenter la séparation entre l'équipement et le récepteur.
- Brancher l'équipement sur une prise d'un circuit différent de celui auquel le récepteur est connecté.
- Consulter un revendeur ou un technicien radio/TV expérimenté pour obtenir de l'assistance.

Déclaration d'Industrie Canada

Le présent appareil est conforme aux CNR d'Innovation, Sciences et Développement économique Canada applicables aux appareils radio exempts de licence. L'exploitation est autorisée aux deux conditions suivantes :

1. L'appareil ne doit pas produire de brouillage, et
2. Cet appareil doit tolérer les interférences reçues, y compris celles qui risquent de provoquer un fonctionnement indésirable.

CAN ICES-3(B) /NMB-3(B)

CE2200

Garantie

GARANTIE LIMITÉE DE CINQ ANS® pour les robinets, vannes et commandes électroniques KOHLER

Kohler Co. garantit les robinets, vannes et commandes électroniques contre tout vice de matériau et de fabrication lors d'une utilisation domestique normale, pendant cinq ans à partir de la date d'installation du produit. La présente garantie s'applique uniquement aux robinets, vannes et commandes électroniques installés aux États-Unis, au Canada et au Mexique (« Amérique du Nord »).

En cas de défectuosité lors d'une utilisation domestique normale, Kohler Co. choisira, à son gré, la réparation, le remplacement de la pièce ou du produit, ou la rectification appropriée, dans les cas où l'inspection de Kohler révélerait une telle défectuosité. Aucun dommage causé par un accident, une mauvaise utilisation ou un mauvais traitement n'est couvert par la présente garantie. Un entretien et un nettoyage inadéquats annulent la garantie*. Une preuve d'achat (ticket de caisse d'origine) doit être présentée à Kohler Co. avec toutes les réclamations au titre de la garantie. Kohler Co. n'est pas responsable des frais de main-d'œuvre, d'installation ou de tout autre frais particulier accessoire ou indirect que ceux susmentionnés. La responsabilité de Kohler Co. ne dépassera en aucun cas le prix d'achat du robinet, de la vanne ou de la commande.

Si les robinets, les vannes ou les commandes électroniques sont utilisés dans un commerce ou si ces articles sont installés en dehors d'Amérique du Nord, Kohler Co. garantit les robinets, les vannes ou les commandes contre tout vice de matériau et de fabrication pendant un (1) an à partir de la date d'installation dudit produit, et toutes les autres modalités de la présente garantie s'appliquent à l'exception de sa durée.

Pour toute réclamation au titre de la présente garantie, contacter le vendeur, plombier, centre de rénovation ou revendeur par internet. Fournir tous les renseignements pertinents à la réclamation, dont notamment une description complète du problème et du produit, le numéro de modèle, la date et le lieu d'achat du produit, ainsi que la date de son installation. Joindre également l'original de la facture. Pour de plus amples renseignements ou pour obtenir les coordonnées du service de réparation le plus proche, écrire à Kohler Co., Attn.: Customer Care Center, Kohler, Wisconsin 53044, USA, ou appeler le 1-800-4-KOHLER (1-800-456-4537) à partir des É.-U. et du Canada, et le 001-800-456-4537 à partir du Mexique, ou consulter le site www.kohler.com aux É.-U., www.ca.kohler.com à partir du Canada, ou www.mx.kohler.com au Mexique.

LES GARANTIES SUSMENTIONNÉES SONT FOURNIES AU LIEU ET PLACE DE TOUTES AUTRES GARANTIES, EXPRESSES OU TACITES, Y COMPRIS LES GARANTIES TACITES DE COMMERCIALITÉ ET D'ADAPTATION À UN USAGE PARTICULIER.

KOHLER CO. ET/OU LE REVENDEUR DÉCLINENT TOUTE RESPONSABILITÉ CONTRE LES DOMMAGES PARTICULIERS, ACCESSOIRES OU INDIRECTS. Certains états et provinces ne permettent pas de limite sur la durée de la garantie tacite, ni l'exclusion ou la limite des dommages, et, par conséquent, lesdites limites et exclusions peuvent ne pas s'appliquer à votre cas. La présente garantie accorde au consommateur des droits juridiques particuliers. Vous pouvez également avoir d'autres droits qui varient d'un état ou d'une province à l'autre. La présente garantie est accordée uniquement à l'acquéreur d'origine et exclut tous dommages dus à une erreur d'installation, à un usage abusif ou à une mauvaise utilisation du produit, qu'ils soient effectués par un entrepreneur, une société de services ou le consommateur.

Ceci constitue la garantie écrite exclusive de Kohler Co.

*Ne jamais utiliser de nettoyants contenant des agents abrasifs, de l'ammoniaque, de l'eau de Javel, des acides, des cires, de l'alcool, des dissolvants ou autres produits non recommandés pour le chrome. Ceci annulera la garantie.

Guía de instalación y cuidado

Válvula termostática digital para DTV+

INSTRUCCIONES IMPORTANTES



ADVERTENCIA: Al usar aparatos eléctricos siempre cumpla las precauciones básicas, como las siguientes:



ADVERTENCIA: Riesgo de sacudidas eléctricas. Un electricista capacitado debe tender todo el cableado eléctrico.



ADVERTENCIA: Riesgo de sacudidas eléctricas. Desconecte el suministro eléctrico antes de dar servicio.



ADVERTENCIA: Las modificaciones no autorizadas pueden causar bajo rendimiento de la válvula. No haga modificaciones a la válvula, pues esto podría tener un efecto adverso en el funcionamiento de la misma y anular la garantía. Kohler Co. no será responsable bajo su garantía, o de ninguna otra forma, de lesiones personales o daños provocados por modificaciones no autorizadas.



PELIGRO: Riesgo de lesiones personales o de daños a la propiedad. Si el cable de suministro eléctrico es dañado, con el fin de evitar un peligro, este debe ser sustituido por el fabricante, por su agente de servicio autorizado o por personal calificado.



ADVERTENCIA: Riesgo de lesiones. Este aparato no tiene el propósito de ser utilizado por personas (incluidos niños) cuyas capacidades físicas, sensoriales o mentales sean diferentes o estén reducidas o carezcan de experiencia o conocimientos, a menos que una persona responsable de la seguridad de dichas personas les den supervisión o capacitación acerca del uso del aparato. Los niños deben ser supervisados para asegurar que no usen los aparatos como juguete.



ADVERTENCIA: Riesgo de lesiones personales o de daños a la propiedad. Antes de comenzar la instalación, lea atentamente todas las instrucciones.

AVISO: Cumpla todos los códigos de plomería, eléctricos y de construcción.

AVISO: Ciertos códigos eléctricos requieren un circuito protegido por un interruptor de circuito con pérdida a tierra (GFCI)*.

AVISO: En K-557-K1: Si se requiere un tomacorriente con interruptor de circuito con pérdida a tierra (GFCI), solo conecte una válvula en cada tomacorriente.

AVISO: Deje acceso de servicio a la válvula, sin restricciones.

AVISO: La tasa de flujo mínima de esta válvula es 1,6 gal/min (6 l/min).

*Fuera de Estados Unidos es posible que este dispositivo se conozca como dispositivo de corriente residual (RCD, por sus siglas en inglés).

Funcionamiento con DTV+

- Para conectar la válvula al sistema DTV+, se necesita el controlador de sistema K-99695.
- El cable de datos que se incluye sirve para conectar la válvula al controlador de sistema.
- Consulte la sección "Distribución del sistema DTV+" en esta guía.

INSTRUCCIONES IMPORTANTES (cont.)

Antes de usar el sistema por primera vez:

Descargue e instale el software más reciente de los componentes conectados. Completar este proceso puede tomar una hora o más, de acuerdo a la configuración del sistema y a la velocidad de conexión de Internet. **No desconecte el suministro eléctrico de ninguno de los componentes durante la descarga y la instalación del software.**

Especificaciones

Presión

Presión estática máxima	125 psi, 862 kPa, 8,6 barías
Diferencial de presión de suministro*	5 psi, 34,5 kPa, 0,34 barías máx. (se recomiendan presiones iguales)
Tasa mínima de flujo	1,6 gal/min (presión dinámica menor de 72 psi) 6 l/min (presión sostenible menor de 500 kPa)
	2,1 gal/min (presión dinámica mayor de 72 psi) 8 l/min (presión sostenible mayor de 500 kPa)

Temperatura

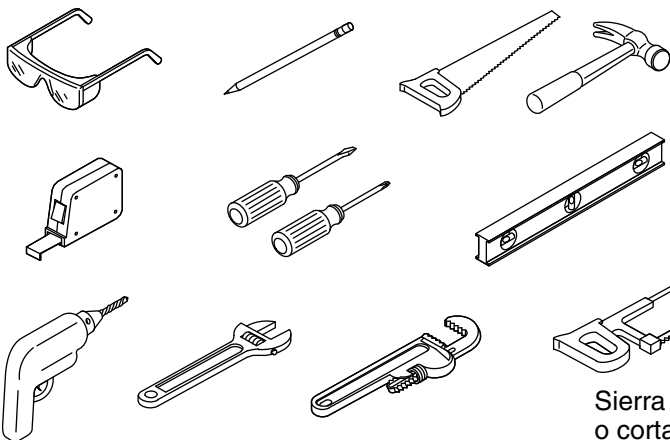
Temperatura programable	Máx 120°F (49°C) Mín 86°F (30°C) <i>También se puede seleccionar completamente fría.</i>
Temperatura preseleccionada en el encendido inicial	100°F (38°C)
Diferencial mínimo de temperatura de la mezcla del suministro caliente	3,6°F (2°C)
Estabilidad de temperatura a condiciones recomendadas de suministro	+/- 1,6°F (1°C)
Temperatura ambiente	Mayor de 34°F (1°C), Máx. 104°F (40°C)
Humedad relativa máxima	95 % sin condensación

Sistema eléctrico

Capacidad eléctrica	120 V, 0,16 A, 60 Hz
Longitud del cable de datos	25' (7,6 m)

*En aplicaciones comerciales donde existe una gran diferencia entre las presiones del suministro de agua caliente y fría, o si se anticipan fluctuaciones frecuentes en alguna de las líneas de suministro, se recomienda enfáticamente instalar reguladores de presión.

Herramientas y materiales



Más:

- (2) Conectores de unión de 1/2"
- Madera y materiales para construir la estructura de madera
- Tubo PEX, tubo de cobre o PVC
- (2) Amortiguadores de golpe de ariete (se recomienda)
- (2) Llaves de paso del suministro

Sierra para metales o cortatubos

Cinta selladora

Suelda

Soplete de propano

Antes de comenzar

AVISO: No instale la válvula bajo una estructura circundante de bañera de hidromasaje ni en lugares donde la temperatura pueda exceder 104°F (40°C). La válvula y su fuente de alimentación eléctrica integrada tienen capacidad para funcionar a temperaturas de hasta 104°F (40°C).

AVISO: No aplique calor excesivo cerca de la válvula, ni aplique fundente ni ácidos directamente en la válvula. Esta válvula tiene componentes de plástico y de goma que se funden si se les aplica calor directamente.

AVISO: No aplique lubricantes derivados del petróleo a los componentes de la válvula. Esto causa daños a los componentes de la válvula.

AVISO: No utilice compuestos derivados del petróleo que no solidifiquen, como masilla de plomería, en conexiones roscadas.

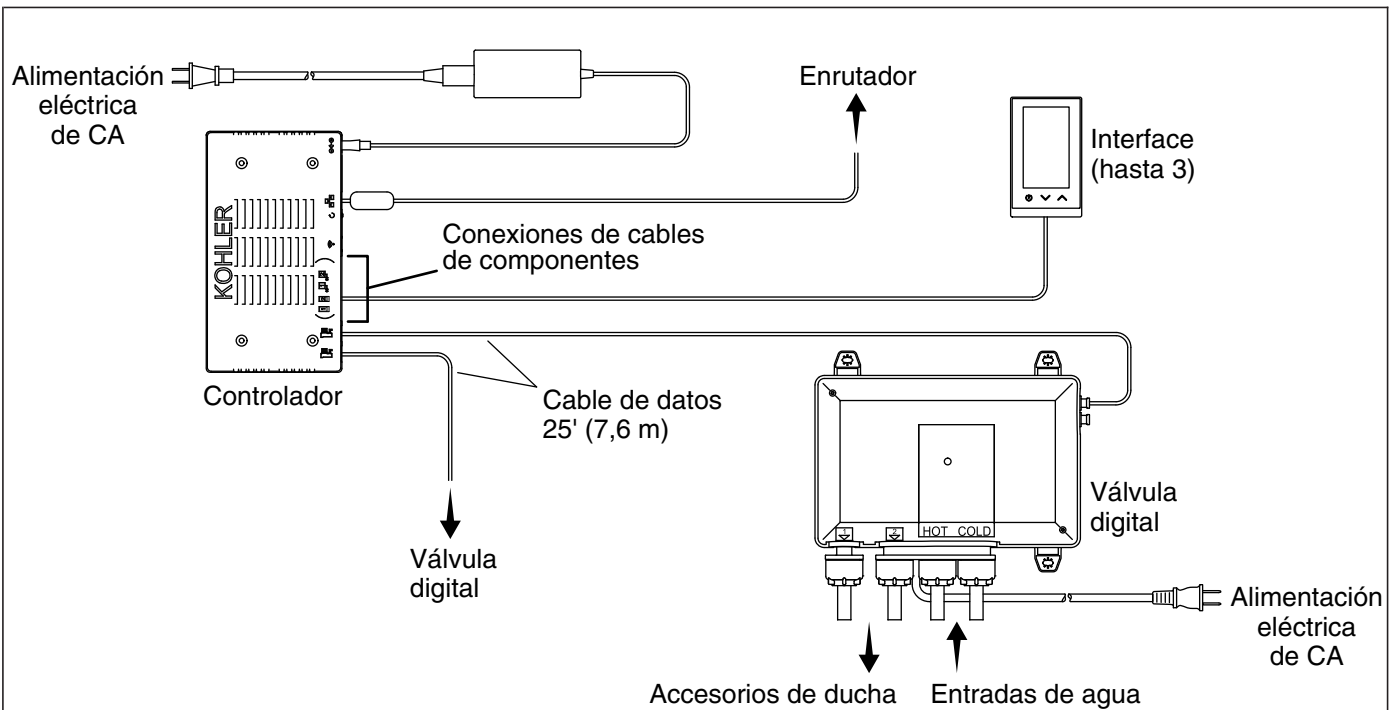
AVISO: No retire las válvulas de retención de las entradas pues se podría dañar el producto.

AVISO: Si la válvula se va a utilizar para una aplicación de bañera/ducha, la línea de suministro para llenar la bañera debe tenderse desde el puerto de salida #1.

- Antes de comenzar la instalación, lea estas instrucciones y determine la ubicación de todos los componentes requeridos. Consulte opciones de configuración de duchas en la guía en la página del producto controlador K-99695 en us.kohler.com.
- De ser posible, haga circular agua por todas las tuberías antes de instalar la válvula. Si se hace circular agua por las tuberías después de haber instalado la válvula, limpie las rejillas de entrada antes de utilizar el sistema.
- Un electricista calificado debe instalar un tomacorriente de 120 V, dentro de la estructura de postes, cerca de la válvula. Ciertas aplicaciones pueden requerir un tomacorriente con interruptor de circuito con pérdida a tierra (GFCI).
- Si es posible, instale el tomacorriente antes de instalar la válvula.

Aplicaciones de válvulas múltiples

- Las configuraciones de duchas que usan grandes volúmenes de agua requieren sistemas de tubería y de desagüe con capacidad suficiente para el flujo total real de agua en cualquier momento dado.
- **Generación de agua caliente:** Use un sistema de calentamiento de agua con suficiente capacidad para flujos altos. Los calentadores de agua sin tanque de almacenamiento (a demanda) y las bombas de recirculación no son adecuados para este tipo de configuración de duchas.



1. Distribución del sistema DTV+

El controlador de sistema K-99695 provee energía a las interfaces y controla las válvulas digitales y otros componentes del sistema. Se requiere el controlador para configurar las válvulas.

AVISO: Si la válvula se va a utilizar para una aplicación de bañera/ducha, la línea de suministro para llenar la bañera debe tenderse desde el puerto de salida #1.

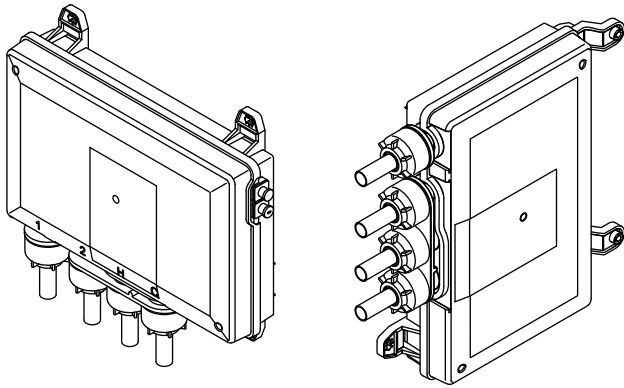
AVISO: Es posible que ciertas configuraciones de ducha personalizadas no permitan habilitar ciertas características del sistema. Consulte opciones de configuración de duchas en la guía en la página del producto controlador K-99695 en us.kohler.com.

- Determine la ubicación de todos los componentes necesarios, incluidos los componentes de la ducha.
- Se incluye un cable de datos para conectar la válvula al controlador. Si la válvula no está a menos de 25' (7,6 m) del controlador, consiga un cable tipo para teléfono más largo o agregue un cable de extensión.
- Al tender la tubería, asegúrese de que cada componente de la ducha pueda conectarse a la salida de la válvula apropiada para su configuración.

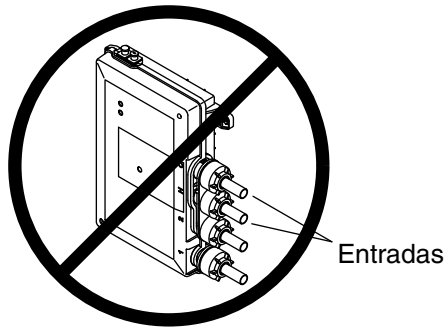
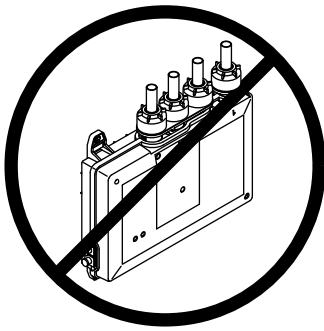
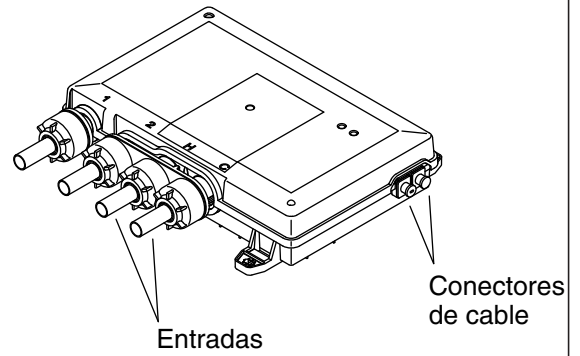
Antes de usar el sistema por primera vez:

Descargue e instale el software más reciente de los componentes conectados. Completar este proceso puede tomar una hora o más, de acuerdo a la configuración del sistema y a la velocidad de conexión de Internet. **No desconecte el suministro eléctrico de ninguno de los componentes durante la descarga y la instalación del software.**

Montaje en una superficie vertical



Montaje en una superficie horizontal

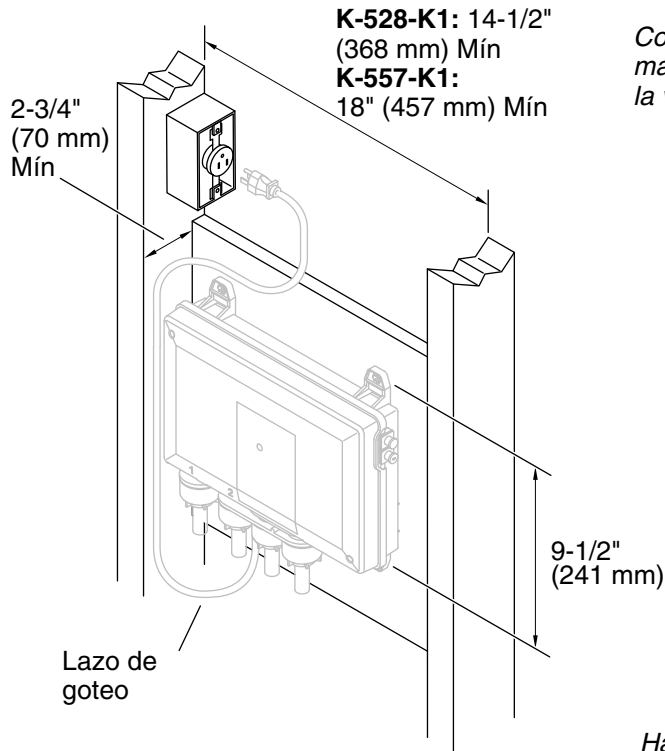


2. Configuraciones de montaje

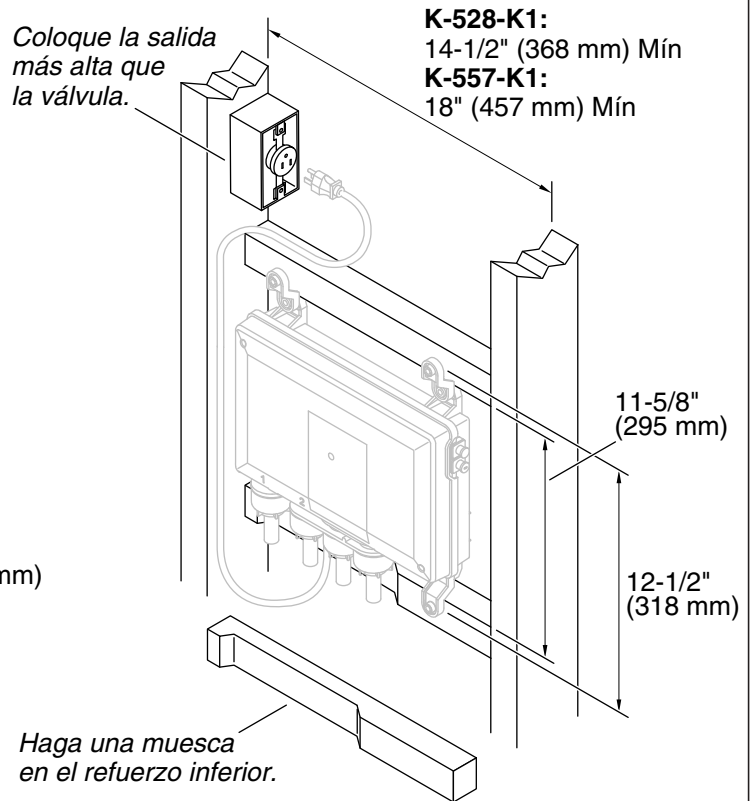
AVISO: No instale la válvula con las entradas apuntando hacia arriba ni sobre los puertos de salida. Esto causaría daños al producto.

- La válvula de dos puertos se ilustra arriba. Las mismas configuraciones de montaje vertical u horizontal se aplican a la válvula de tres puertos.

Montura de tabla



Montura de refuerzo transversal

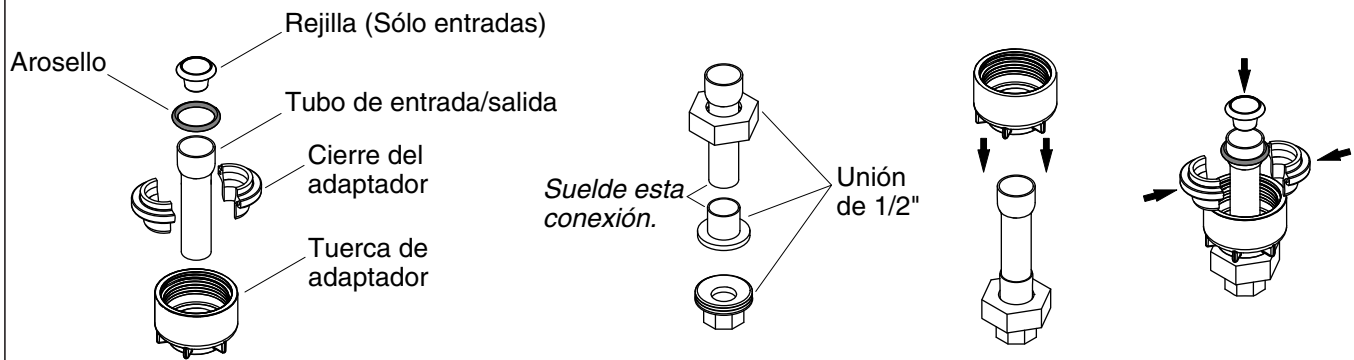


3. Prepare el sitio

AVISO: No instale la válvula bajo una estructura circundante de bañera de hidromasaje o en lugares donde la temperatura pueda exceder 104°F (40°C).

NOTA: Se ilustra una instalación horizontal dentro de una cavidad formada por postes de madera. La válvula también se puede montar verticalmente o en una superficie horizontal. Consulte la sección "Configuraciones de montaje".

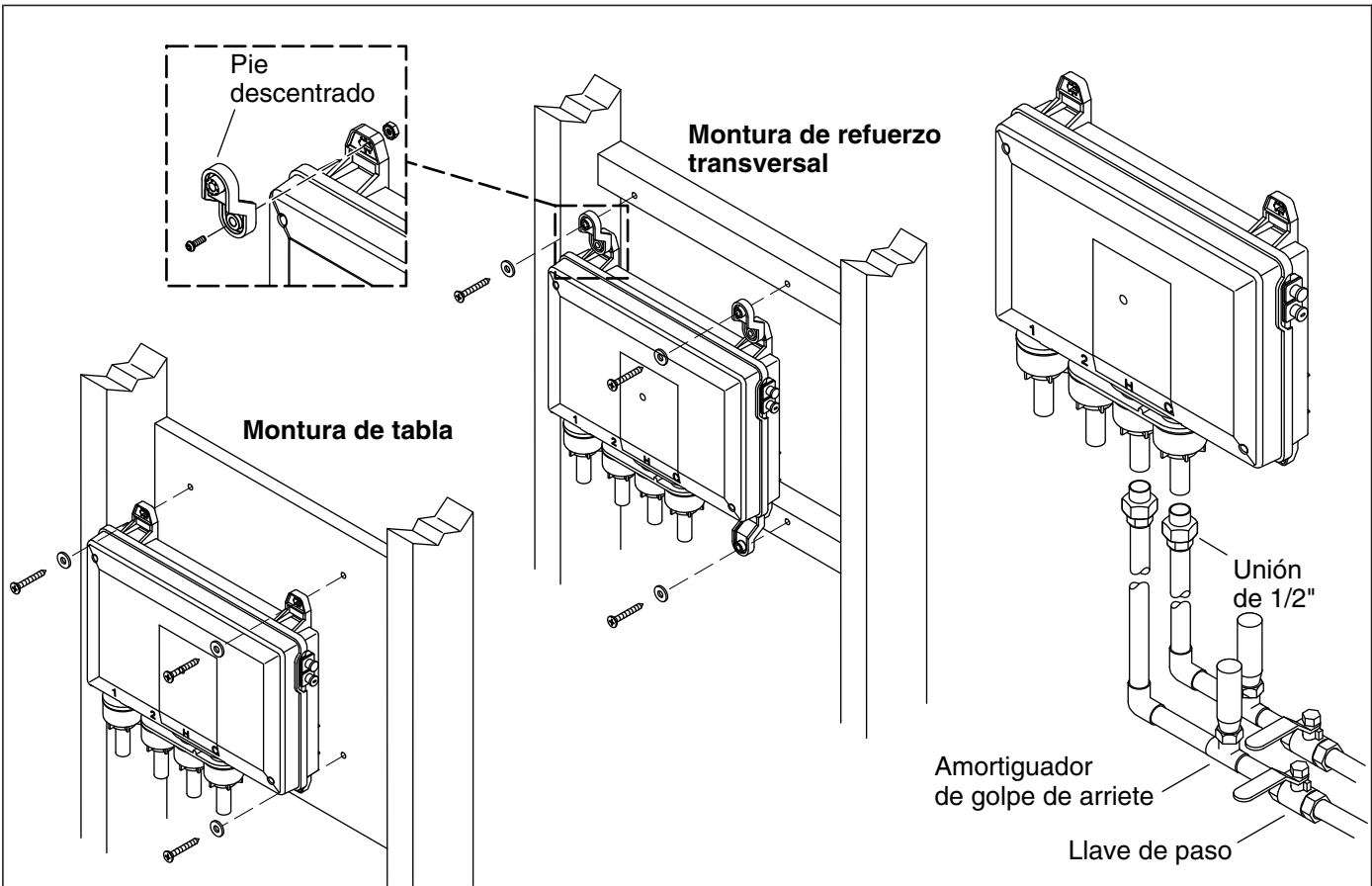
- **K-528-K1:** Este producto está diseñado para caber en una cavidad de postes de madera de 2x4 de 14-1/2" (368 mm) como mínimo.
- **K-557-K1:** Este producto no cabe dentro de una cavidad estándar entre postes de madera. Construya una cavidad de postes de madera de 2x4 de ancho mínimo de 18" (457 mm).
- Instale refuerzos adecuados para montar la válvula. Haga las muescas necesarias en los refuerzos para adaptarse a las entradas y a las salidas.
- Instale un tomacorriente de 120 V dentro de la estructura de postes, cerca de la válvula. Ubique la salida sobre la válvula. Ciertas aplicaciones pueden requerir un tomacorriente con un interruptor de circuito con pérdida a tierra (GFCI).



4. Ensamble los adaptadores y las uniones

AVISO: No aplique calor excesivo cerca de la válvula, ni aplique fundente ni ácidos directamente en la válvula. Esta válvula tiene componentes de plástico y de goma que se funden si se les aplica calor directamente.

- Desensamble el adaptador. Asegúrese de retirar todos los componentes de goma y de plástico.
- Introduzca la tuerca de unión deslizándola en el tubo de entrada/salida.
- Suelde el tubo de entrada/salida a la unión. Deje enfriar por completo.
- Ensamble la unión.
- Introduzca la tuerca del adaptador deslizándola en el tubo de entrada/salida.
- Ensamble el cierre del adaptador en el tubo de entrada/salida y deslice el ensamblaje en la tuerca del adaptador.
- Deslice el arosello en el tubo de entrada/salida.
- Solo en tubos de entrada:** Introduzca la rejilla en el extremo del tubo de entrada.
- Vuelva a instalar el ensamblaje del adaptador a la válvula.
- Repita el procedimiento con todos los tubos de entrada/salida, según sea necesario.



5. Instale la válvula

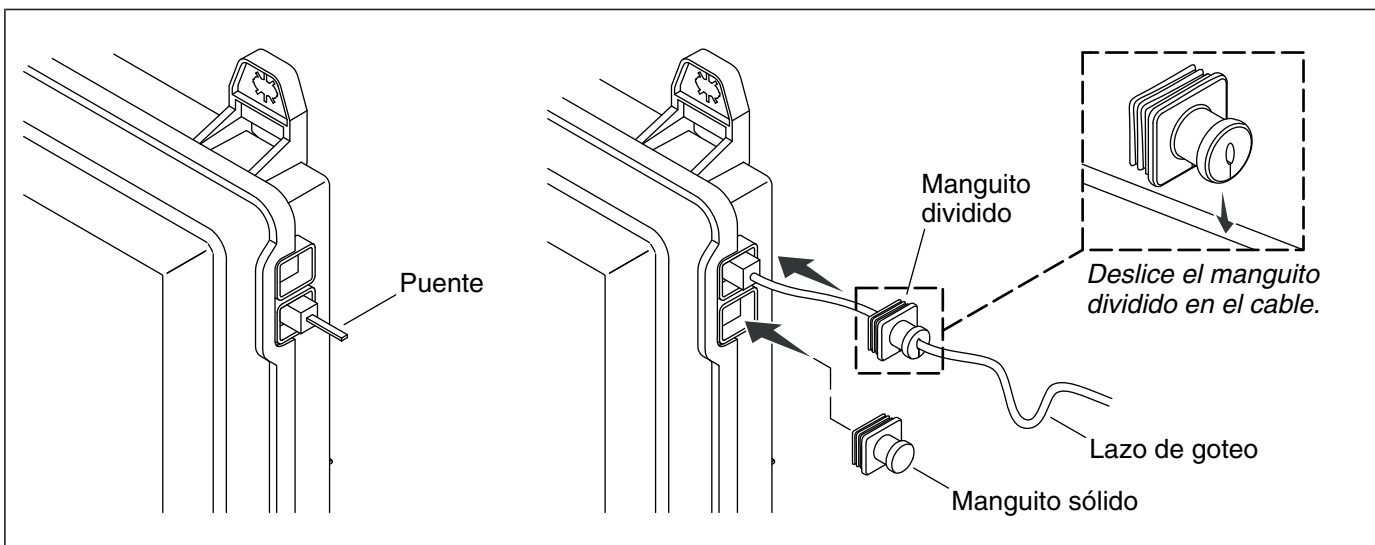
AVISO: No aplique calor excesivo cerca de la válvula, ni aplique fundente ni ácidos directamente en la válvula. Esta válvula tiene componentes de plástico y de goma que se funden si se les aplica calor directamente.

¡IMPORTANTE! Si su suministro de agua tiene alto contenido de partículas, instale filtros en Y en las líneas de suministro.

- Tienda las líneas de suministro de agua. Use uniones para instalar segmentos desmontables de tubería a las entradas de la válvula para permitir el acceso a limpieza periódica de las rejillas de entrada.
- Instale llaves de paso y amortiguadores de golpe de ariete en las líneas de suministro antes de la válvula.
- Sostenga la válvula en el lugar de instalación. Verifique que se ajuste bien y marque la ubicación de los orificios.
- Taladre los orificios con anticipación.
- Fije la válvula con las arandelas y los tornillos. No apriete demasiado.

¡IMPORTANTE! Asegúrese de que cada componente de la ducha sea conectado a la salida de la válvula apropiada para su configuración de ducha. Consulte opciones de configuración de duchas en la guía en la página del producto controlador K-99695 en us.kohler.com.

- Tienda la tubería desde las salidas de la válvula hasta los componentes de ducha correspondientes.
- Conecte las líneas de suministro de agua fría y caliente a las entradas correspondientes de la válvula. Caliente es roja y está identificada como "HOT", fría es azul y está identificada como "COLD".
- Fije todas las tuberías a la estructura de postes.



6. Verificación de la instalación

Verifique que no haya fugas

- Abra el suministro de agua a la válvula.
- Conecte el puente a la válvula.
- Verifique que haya energía al tomacorriente de 120 V, y luego conecte el cable de suministro eléctrico al tomacorriente.
- Espere 10 segundos para que la válvula se inicialice; las salidas se activan.
- Revise que no haya fugas en las conexiones.
- Desconecte la energía eléctrica, luego retire el puente.

Conecte los cables

NOTA: Forme lazos de goteo en todos los cables y cordones.

- Instale el controlador de sistema K-99695 de acuerdo a las instrucciones incluidas con el producto.
- Tienda el cable de datos en la pared entre los lugares de instalación del controlador y de las válvulas.
- Instale un manguito dividido al cable de datos, hacia el extremo que se vaya a conectar a la válvula.
- Conecte el cable a la válvula. Presione el manguito sobre la conexión y dentro del conector de la válvula.
- Introduzca un manguito sólido en el conector no usado.

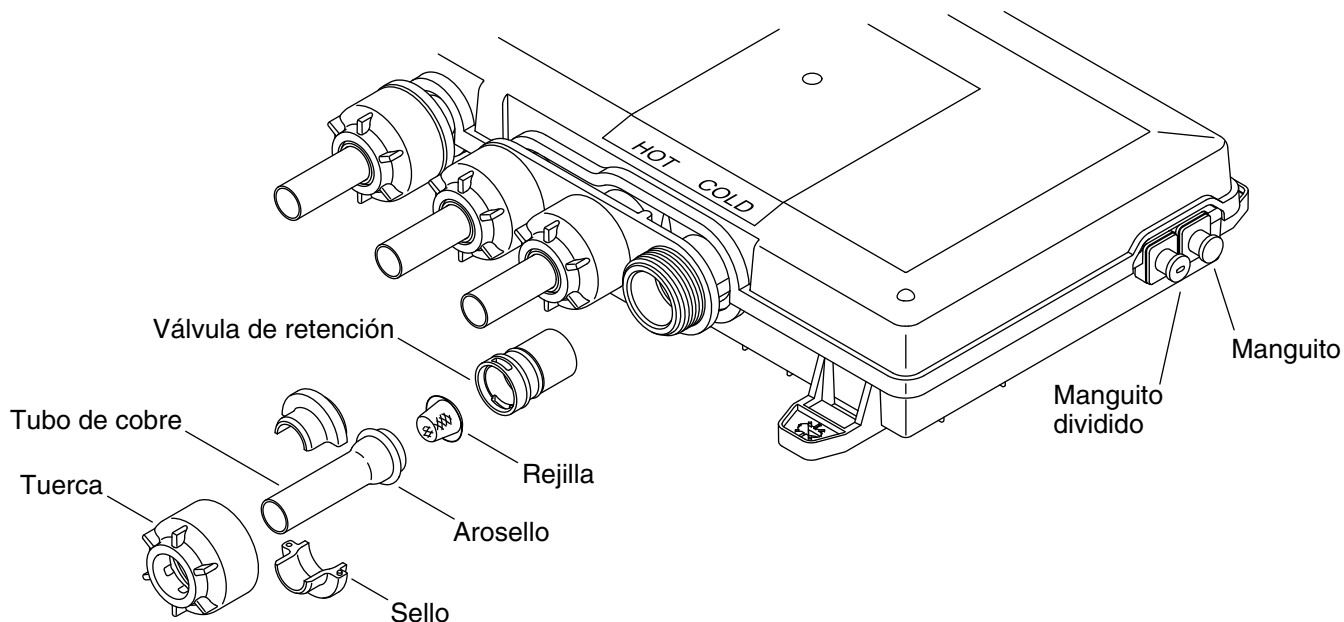
Configure la válvula (requiere un controlador instalado)

NOTA: Las válvulas que hayan sido instaladas recientemente, o que no se hayan usado durante un periodo prolongado, deben hacerse funcionar antes de realizar alguna prueba o de fijar la temperatura máxima.

- Para configurar inicialmente las válvulas, consulte la guía en la página del producto controlador K-99695 en us.kohler.com.

Antes de usar el sistema por primera vez:

Descargue e instale el software más reciente de los componentes conectados. Completar este proceso puede tomar una hora o más, de acuerdo a la configuración del sistema y a la velocidad de conexión de Internet. **No desconecte el suministro eléctrico de ninguno de los componentes durante la descarga y la instalación del software.**



7. Limpie las rejillas de entrada



PRECAUCIÓN: Riesgo de lesiones personales. Es posible que haya agua caliente en la válvula, tenga cuidado al drenar el agua residual.

- Desconecte la alimentación eléctrica y cierre el suministro de agua.
- Desenrosque las tuercas de plástico de las entradas de agua fría y caliente.
- Retire los tubos de cobre. El arosello y la rejilla pueden haberse quedado en el extremo del tubo.
- Si la rejilla permanece en la válvula de retención, con un destornillador plano pequeño tire suavemente de la válvula de retención y sepárela de la entrada de la válvula.
- Retire las rejillas de los tubos de cobre o de las válvulas de retención.
- Limpie las rejillas para eliminar los residuos y la suciedad.
- Enjuague o cambie las válvulas de retención y las rejillas.
- Vuelva a ensamblar las conexiones de entrada.

Resolución de problemas



ADVERTENCIA: Riesgo de sacudidas eléctricas. Desconecte el suministro eléctrico antes de dar servicio.

AVISO: Un representante de servicio autorizado (ASR por sus siglas en inglés) de KOHLER debe realizar el mantenimiento de la válvula.

NOTA: Para resolver problemas del sistema DTV+, consulte la guía en la página del producto controlador K-99695 en us.kohler.com.

NOTA: Para consultar información sobre piezas de repuesto, visite la página de su producto en kohler.com/serviceparts.

Esta guía de resolución de problemas está diseñada únicamente como ayuda general. Si tiene preguntas con respecto al servicio o a la instalación, llame a 1-800-4KOHLER.

Resolución de problemas (cont.)

Resolución de problemas

Síntomas	Causa probable	Acción recomendada
1. La válvula no se enciende.	<p>A. La válvula no está enchufada en el tomacorriente.</p> <p>B. Es posible que la conexión del cable de datos esté suelta o desconectada.</p> <p>C. El interruptor de circuito se ha disparado.</p> <p>D. Puede ser necesario restablecer la memoria de la válvula.</p> <p>E. Si ninguna de las acciones recomendadas para los problemas anteriores corrige el síntoma, la válvula o la interface requiere servicio.</p>	<p>A. Enchufe la válvula en un tomacorriente.</p> <p>B. Revise la conexión del cable de datos; conecte si es necesario.</p> <p>C. Restablezca (reset) el interruptor de circuito.</p> <p>D. Desconecte y vuelva a conectar el cable eléctrico de la válvula en el tomacorriente.</p> <p>E. Consulte a su representante de servicio autorizado (ASR) de Kohler Co.</p>
2. La interface funciona normalmente, pero no fluye agua de los componentes de la ducha.	<p>A. Es posible que las salidas de la válvula estén obstruidas.</p> <p>B. Es posible que los componentes o que las placas exteriores del rociador estén obstruidas.</p> <p>C. Los suministros del agua fría y caliente no están abiertos.</p> <p>D. Puede ser necesario restablecer la memoria de la válvula.</p> <p>E. Error del sistema.</p> <p>F. Si ninguna de las acciones recomendadas para los problemas anteriores corrige el síntoma, la válvula requiere servicio.</p>	<p>A. Verifique que no haya suciedad ni obstrucciones en las salidas de la válvula. Limpie las rejillas de salida.</p> <p>B. Limpie las placas exteriores del rociador y las rejillas en los componentes.</p> <p>C. Abra el suministro de agua a la válvula.</p> <p>D. Desconecte y vuelva a conectar el cable eléctrico de la válvula en el tomacorriente.</p> <p>E. Vea si la interface del usuario tiene un código de error. Consulte la guía en la página del producto controlador K-99695 en us.kohler.com.</p> <p>F. Consulte a su representante de servicio autorizado (ASR) de Kohler Co.</p>
3. La temperatura máxima de la mezcla está muy caliente o muy fría.	<p>A. Valor de temperatura máxima incorrecto.</p> <p>B. Si la acción recomendada anteriormente no corrige el síntoma, la interface o la válvula requiere servicio.</p>	<p>A. Establezca la temperatura máxima. Consulte la guía en la página del producto controlador K-99695 en us.kohler.com.</p> <p>B. Consulte a su representante de servicio autorizado (ASR) de Kohler Co.</p>
4. Flujo continuo.	<p>A. El sistema no se apaga.</p> <p>B. La tasa de flujo excede 10 gal/min (45,5 l/min) en una salida.</p>	<p>A. Cierre el suministro de agua y desconecte el suministro eléctrico, y comuníquese con su representante de servicio autorizado (ASR) de Kohler Co.</p> <p>B. Asegúrese de instalar limitadores de flujo en ambas salidas.</p>

Resolución de problemas (cont.)

Resolución de problemas

Síntomas	Causa probable	Acción recomendada
5. Solamente fluye agua fría de las salidas.	<p>A. El suministro de agua caliente no está abierto o no está conectado a la entrada de la válvula.</p> <p>B. La entrada de agua caliente está obstruida.</p> <p>C. El suministro de agua caliente se ha agotado.</p> <p>D. Si ninguna de las acciones recomendadas para los problemas anteriores corrige el síntoma, la válvula requiere servicio.</p>	<p>A. Verifique que el suministro de agua caliente esté abierto y conectado a la entrada de la válvula.</p> <p>B. Verifique que la rejilla de entrada del agua caliente no esté obstruida. Limpie o cambie la rejilla de entrada.</p> <p>C. Espere a que el calentador de agua llegue a la temperatura deseada.</p> <p>D. Consulte a su representante de servicio autorizado (ASR) de Kohler Co.</p>
6. Tasa de flujo reducida o fluctuante. La válvula funciona correctamente.	<p>A. Es posible que las entradas de la válvula estén obstruidas.</p> <p>B. Es posible que los componentes o que las placas exteriores del rociador estén obstruidas.</p> <p>C. La presión de salida de agua es baja.</p> <p>D. Fluctuación de la presión de suministro.</p> <p>E. Las temperaturas del suministro de agua no están dentro del rango recomendado.</p>	<p>A. Verifique que las entradas de la válvula no tengan suciedad ni obstrucciones. Limpie las rejillas de entrada. Consulte la sección "Limpieza de las rejillas de entrada".</p> <p>B. Limpie las placas exteriores del rociador y las rejillas en los componentes.</p> <p>C. Verifique que la tasa de flujo esté al valor mínimo requerido o más alto. Consulte la sección "Especificaciones".</p> <p>D. Verifique que las presiones dinámicas de entrada estén dentro de especificaciones. Consulte la sección "Especificaciones".</p> <p>E. Verifique que las temperaturas del agua de entrada estén dentro del rango recomendado.</p>
7. Cambio o altibajas en la temperatura de la mezcla.	<p>A. La temperatura del suministro de agua fluctúa.</p> <p>B. Diferencia de presión mayor de 5 psi (34,5 kPa) entre los suministros de agua caliente y fría.</p> <p>C. Si ninguna de las acciones recomendadas para los problemas anteriores corrige el síntoma, la válvula requiere servicio.</p>	<p>A. Verifique que los diferenciales de temperatura de entrada sean suficientes. Consulte la sección "Especificaciones".</p> <p>B. Instale reguladores de presión para que los suministros estén a menos de 5 psi (34,5 kPa) uno del otro.</p> <p>C. Consulte a su representante de servicio autorizado (ASR) de Kohler Co.</p>
8. Fuga de agua en la válvula. PRECAUCIÓN: Riesgo de lesiones personales o daños al producto. Desconecte la energía eléctrica principal y cierre el suministro de agua.	<p>A. Las conexiones no están fijadas.</p> <p>B. Los sellos están desgastados o dañados.</p> <p>C. Fuga interna.</p>	<p>A. Revise todas las conexiones. Haga los ajustes necesarios.</p> <p>B. Adquiera el paquete de servicio de sellos y cambie todos los sellos.</p> <p>C. La unidad requiere reconstrucción. Consulte a su representante de servicio autorizado (ASR) de Kohler Co.</p>

Resolución de problemas (cont.)

Resolución de problemas

Síntomas	Causa probable	Acción recomendada
9. Solo sale agua caliente, la válvula se apaga.	A. Las líneas de agua fría y caliente están invertidas.	A. Intercambie las conexiones de los suministros del agua fría y caliente. Verifique que el suministro de agua caliente esté conectado a la entrada identificada como "Hot" y que el suministro de agua fría esté conectado a la entrada identificada como "Cold".

Conformidad con FCC, IC y CE

Contiene: Kohler Company, Modelo: K-528-PM-NA, FCC ID: SH6MDBT40, IC: 8017A-MDBT40

Declaración de interferencia de la FCC

Este equipo cumple lo establecido en la sección 15 de las normas de la FCC. La operación de este equipo está sujeta a las siguientes dos condiciones:

1. Este equipo o dispositivo no puede causar interferencia perjudicial, y
2. Este dispositivo debe aceptar cualquier interferencia que reciba, incluida la interferencia que pudiera causar funcionamiento no deseado.

Cualquier modificación o cambio que no haya sido aprobado expresamente por la parte responsable de la conformidad podría invalidar el derecho del usuario a utilizar el producto.

Este equipo ha sido probado, y se ha encontrado que satisface los límites de un aparato digital Clase B, de acuerdo a la sección 15 de las normas de la FCC. Estos límites están diseñados para proveer protección razonable contra interferencia perjudicial en una instalación residencial. Este equipo genera, usa y puede radiar energía de radiofrecuencia y, si no se instala y utiliza en cumplimiento de las instrucciones, puede causar interferencia perjudicial a las comunicaciones de radio. Sin embargo, no se garantiza que la interferencia no pudiera ocurrir en una instalación en particular. Si este equipo causa interferencia perjudicial a la recepción de radio o televisión, lo que se puede determinar al encender y apagar el equipo, se le sugiere al usuario que trate de corregir la interferencia mediante una o más de las siguientes medidas:

- Cambiar la orientación o el lugar de la antena receptora.
- Aumentar la separación entre el equipo y el receptor.
- Conectar el equipo a un tomacorriente en un circuito diferente al que utiliza el receptor.
- Consultar al distribuidor o a un técnico con experiencia en radio/televisión para obtener ayuda.

Declaración de la Industria de Canadá

Este dispositivo cumple las normas RSS de excepción de licencia de la Industria de Canadá. La operación de este equipo está sujeta a las siguientes dos condiciones:

1. Este equipo no debe causar interferencia, y
2. Este equipo debe aceptar cualquier interferencia, incluida la interferencia que pueda causar funcionamiento no deseado.

CAN ICES-3(B) /NMB-3(B)

CE2200

Garantía

GARANTÍA LIMITADA DE CINCO AÑOS de griferías, válvulas y controles electrónicos KOHLER®

Kohler Co. garantiza las griferías, las válvulas y los controles electrónicos contra defectos de material y mano de obra durante el uso normal residencial, durante cinco años a partir de la fecha de instalación del producto. Esta garantía aplica solamente a grifería, válvulas y controles electrónicos instalados en los Estados Unidos de América, Canadá y México ("Norteamérica").

Si se encuentra un defecto durante el uso residencial normal, Kohler Co., a su criterio, reparará, proveerá una pieza de repuesto o un producto, o realizará los ajustes pertinentes en los casos en que la inspección realizada por Kohler Co. determine dicho defecto. Esta garantía no cubre daños causados por accidente, abuso o uso indebido. El cuidado y la limpieza indebidos anulan la garantía*. Al presentar las reclamaciones de garantía a Kohler Co. es necesario incluir el comprobante de compra (recibo de venta original). Kohler Co. no se hace responsable de costos de mano de obra, instalación u otros costos incidentales o indirectos, aparte de los mencionados arriba. En ningún caso la responsabilidad de Kohler Co. excederá el precio de compra de la grifería, la válvula o el control.

Si las griferías, las válvulas o los controles electrónicos se utilizan comercialmente o si se instalan fuera del territorio de Norteamérica, Kohler Co. garantiza que la grifería, la válvula o el control está libre de defectos de material y mano de obra durante un (1) año, a partir de la fecha de instalación, estando en efecto todas las demás condiciones de esta garantía, excepto la duración.

Si usted considera que tiene una reclamación en virtud de la garantía, comuníquese con su centro de remodelación, distribuidor, contratista de plomería o distribuidor por Internet. Asegúrese de proporcionar toda la información pertinente a su reclamación, incluida una descripción completa del problema, el producto, el número de modelo, la fecha de compra del producto, el lugar de compra del producto, y la fecha de instalación. También incluya el recibo original. Para obtener información adicional, o para el nombre y la dirección del lugar de reparación y servicio más cercano a usted, escriba a Kohler Co., Atención: Customer Care Center, Kohler, Wisconsin 53044 USA, o llame al 1-800-4-KOHLER (1-800-456-4537) desde los EE.UU. y Canadá, y al 001-800-456-4537 desde México, o visite www.kohler.com desde los EE.UU., www.ca.kohler.com desde Canadá, o www.mx.kohler.com en México.

LAS GARANTÍAS ANTERIORMENTE MENCIONADAS SUSTITUYEN A TODAS LAS DEMÁS GARANTÍAS, EXPRESAS O IMPLÍCITAS, INCLUIDAS, ENTRE OTRAS, LAS GARANTÍAS IMPLÍCITAS DE COMERCIALIZACIÓN E IDONEIDAD PARA UN USO DETERMINADO.

KOHLER CO. Y/O EL VENDEDOR DESCARGAN TODA RESPONSABILIDAD POR CONCEPTO DE DAÑOS PARTICULARES, INCIDENTALES O INDIRECTOS. Algunos estados/provincias no permiten limitaciones en cuanto a la duración de una garantía implícita o a la exclusión o limitación de dichos daños, por lo que es posible que estas limitaciones y exclusiones no se apliquen a su caso. Esta garantía otorga al consumidor ciertos derechos legales específicos. Además, usted puede tener otros derechos que varían de estado a estado y de provincia a provincia. Esta garantía está destinada únicamente para el comprador consumidor original y excluye todo daño al producto como resultado de errores de instalación, abuso del producto o uso indebido del mismo, bien sea por parte de un contratista, de una compañía de servicios o del consumidor mismo.

Esta es la garantía exclusiva por escrito de Kohler Co.

*Nunca utilice limpiadores que contengan abrasivos, amoníaco, blanqueador, ácidos, ceras, alcohol, disolventes u otros productos no recomendados para el cromo. Esto anula la garantía.

USA/Canada: 1-800-4KOHLER

México: 001-800-456-4537

kohler.com

THE BOLD LOOK
OF **KOHLER**®

©2018 Kohler Co.

1240338-2-B