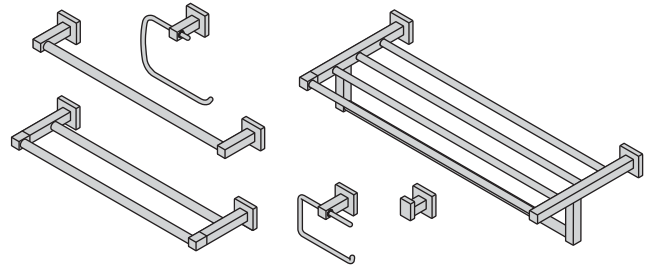




363DTB-18, 363DTB-24, 363RH, 363TB-18,  
363TB-24, 363TP, 363TR, 363TS-22

Duro™ Accessories

**Operation & Maintenance Manual**



Model Numbers	Specifications
<input type="checkbox"/> <b>363DTB-18</b> <i>18" Double Towel Bar</i>	All premium accessories made from brass plated in standard polished chrome finish.
<input type="checkbox"/> <b>363DTB-24</b> <i>24" Double Towel Bar</i>	
<input type="checkbox"/> <b>363RH</b> <i>Robe Hook</i>	
<input type="checkbox"/> <b>363TB-18</b> <i>18" Towel Bar</i>	
<input type="checkbox"/> <b>363TB-24</b> <i>24" Towel Bar</i>	
<input type="checkbox"/> <b>363TP</b> <i>Toilet Paper Holder</i>	
<input type="checkbox"/> <b>363TR</b> <i>Towel Ring</i>	
<input type="checkbox"/> <b>363TS-22</b> <i>Towel Shelf with Bar</i>	
Modifications	Warranty
<input type="checkbox"/> <b>-STN</b> <i>Satin nickel finish</i>	<p><b>Limited Lifetime</b> - to the original end purchaser in consumer installations.  <b>5 Years</b> - for commercial installations.</p> <p>Refer to <a href="http://www.symmons.com/warranty">www.symmons.com/warranty</a> for complete warranty information.</p>

**Note:** Append appropriate -suffix to model number.

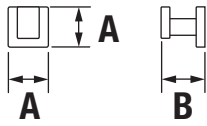
# 363DTB-18, 363DTB-24, 363RH, 363TB-18, 363TB-24, 363TP, 363TR, 363TS-22

## Duro™ Accessories

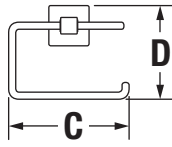
### Operation & Maintenance Manual

#### Dimensions

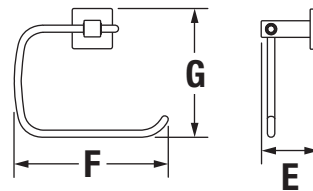
**363RH**



**363TP**

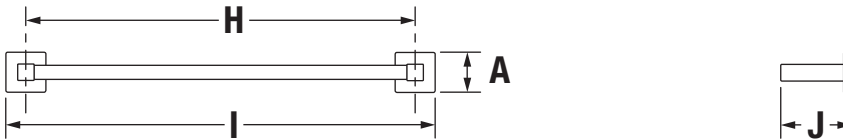


**363TR**

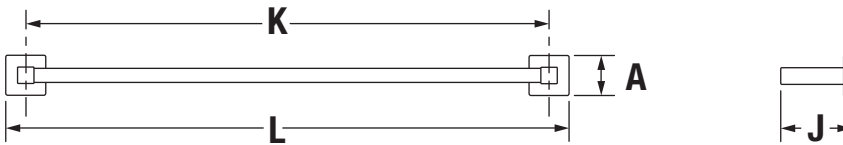


Measurements	
A	1 7/8", 48 mm
B	2", 51 mm
C	5 3/8", 137 mm
D	4 1/8", 105 mm
E	2 1/2", 64 mm
F	6 7/8", 175 mm
G	5 3/4", 146 mm
H	17 3/4", 451 mm
I	19 1/2", 495 mm
J	3 1/4", 83 mm
K	23 3/8", 594 mm
L	25 1/8", 638 mm
M	5 5/16", 135 mm
N	22", 559 mm
O	23 5/8", 600 mm
P	4 3/4", 121 mm
Q	9 1/2", 241 mm
R	1 3/4", 45 mm

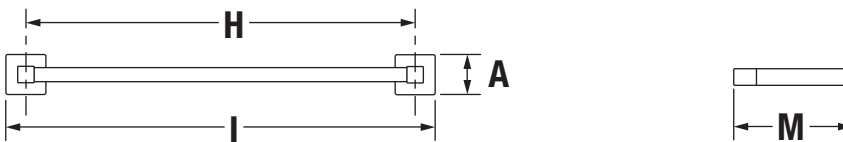
**363TB-18**



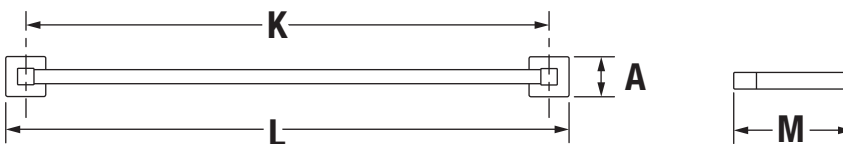
**363TB-24**



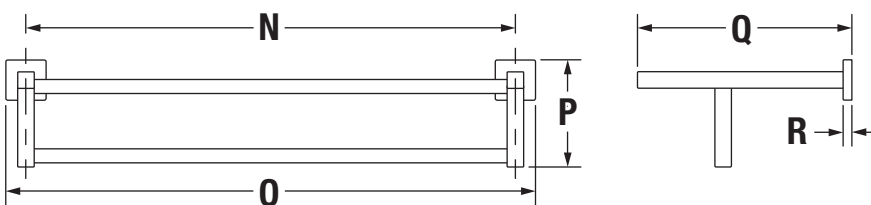
**363DTB-18**



**363DTB-24**



**363TS-22**



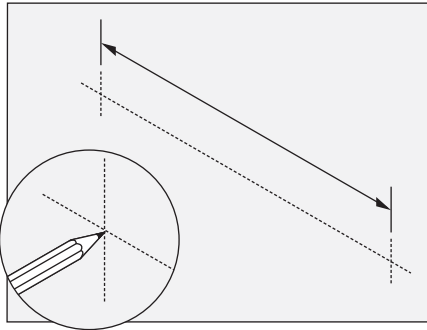
**Note:** Dimensions are subject to change without notice.

363DTB-18, 363DTB-24, 363RH, 363TB-18, 363TB-24, 363TP, 363TR, 363TS-22  
Duro™ Accessories

**Operation & Maintenance Manual**

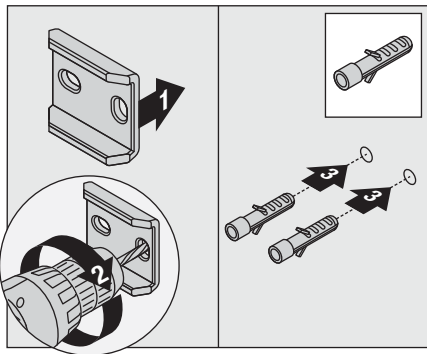
**Installation**

1) Measure and mark centerlines for mounting bracket installation using dimensions on page 2.

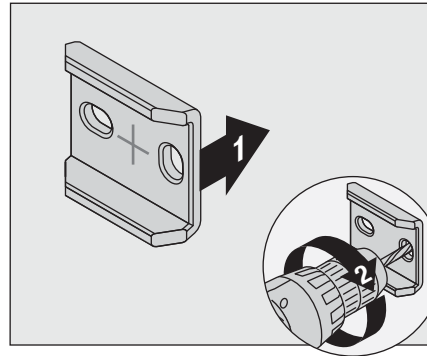


**Notes:** 363DTB-18, 363DTB-24, 363TB-18, 363TB-24, 363TS-22 only. Make sure both centerline marks are level.

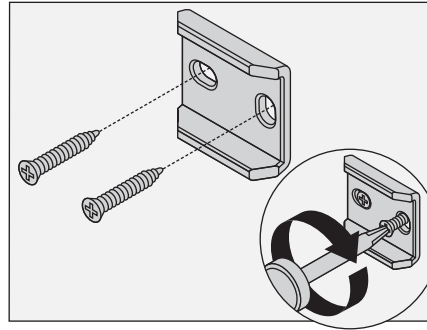
2a) **Dry Wall Option:** Place mounting brackets into desired position. Using brackets as a guide, carefully drill 3/16" holes into wall. Remove brackets and install anchors.



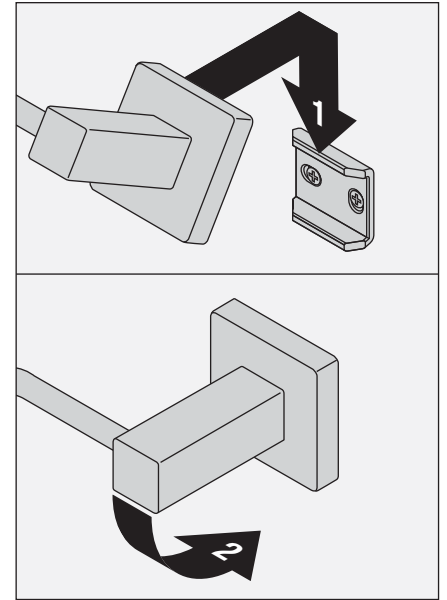
2b) **Stud Option:** Center bracket on centerline. Using brackets as a guide, carefully drill 3/16" holes into wall.



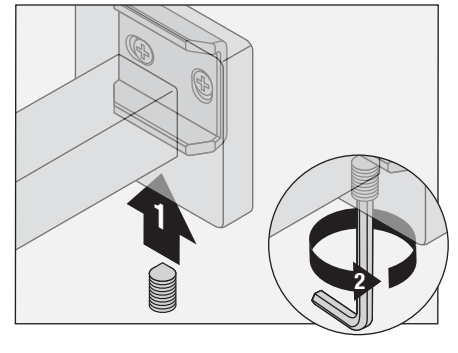
3) With mounting brackets in position, secure to wall using screws.



4) Hang top of accessory on mounting bracket. Lower into position.



5) Secure with set screw.



**Care and Cleaning**

1) Clean finished trim area with a soft cloth using mild soap and water or a non-abrasive cleaner and then quickly rinse with water.