

# NOTICE TO INSTALLER: Instructions must remain with installation.

Your Peace of Mind is Our Top Priority®



**PUMP COMPANY**

Zoeller Family of Water Solutions™

SECTION: 6.10.100

FM0483

0112

Supersedes

1111/2

Product information presented here reflects conditions at time of publication. Consult factory regarding discrepancies or inconsistencies.

MAIL TO: P.O. BOX 16347 • Louisville, KY 40256-0347  
SHIP TO: 3649 Cane Run Road • Louisville, KY 40211-1961  
(502) 778-2731 • 1 (800) 928-PUMP • FAX (502) 774-3624

visit our web site:  
[www.zoeller.com](http://www.zoeller.com)

## “A-PAK” ALARM SYSTEM INSTALLATION INSTRUCTIONS

**FOR YOUR PROTECTION ALWAYS DISCONNECT FROM POWER SOURCE BEFORE HANDLING.** The “A-Pak” Alarm system has a double insulated plastic enclosure for your protection and is supplied with a 2-prong plug.

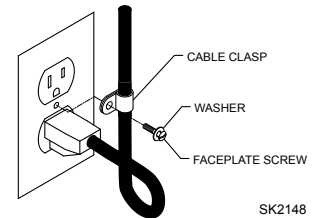
### SPECIFICATIONS

This alarm system monitors liquid levels in lift pump chambers, sump pump basins, holding tanks, sewage, agricultural and other non-potable water applications. It features a red warning light, green “power on” light, alarm test switch and horn silence switch. “A-Pak” primary voltage is 120 VAC, 60 Hz, 2.4 watts max (alarm condition) (circuit is not supervised). Secondary voltage is 9 VDC (circuit is not supervised). Battery backup power is 9 VDC. **NOTE:** 9V battery is not included and must be purchased separately.

**NOTE:** The alarm panel plugs into a standard household 120 VAC socket. **DO NOT** plug “A-Pak” Alarm System into the same circuit as the pump. The “A-Pak” Alarm System should be connected to a circuit separate from the pump circuit. Push test button to check alarm panel for operation.

### ALARM PANEL INSTALLATION

- 1) Before installing alarm panel, remove battery cover on side of alarm panel and install a 9V battery. (not included)
- 2) Mount the alarm panel indoors with screws provided. **NOTE:** The mounting screw is to be located over a wall stud or used with a wall anchor sized for a #8 x 1.25 self tapping screw.
- 3) Hang the panel by the keyhole in the back of the alarm enclosure and install the second screw between the tabs located on bottom of the enclosure.
- 4) Using the provided cable clamp, secure the power cord to the outlet as shown (see Fig. A). Use existing receptacle faceplate screw and supplied washer.



SK2148

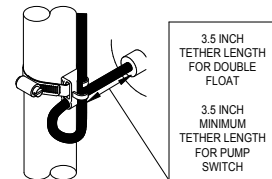
Figure A

## CONTROL SWITCH INSTALLATION

### MECHANICAL FLOAT SWITCH (10-1494, 10-2614)

- 1) Place cord into clamp and secure to discharge pipe as shown in clamp detail (see Fig. B). **NOTE:** Do not install the cord under the hose clamp.
- 2) Tighten the hose clamp with a screwdriver. **NOTE:** Do not over tighten; over tightening may cause damage to the plastic clamp.
- 3) Make sure the float cable is not allowed to touch the excess hose clamp band during operation.
- 4) The float switch must be suspended seven inches below desired activation level. (see Fig. D)
- 5) Allow system to cycle to ensure proper operation.

### CLAMP DETAIL (Tether Length Non-Adjustable)

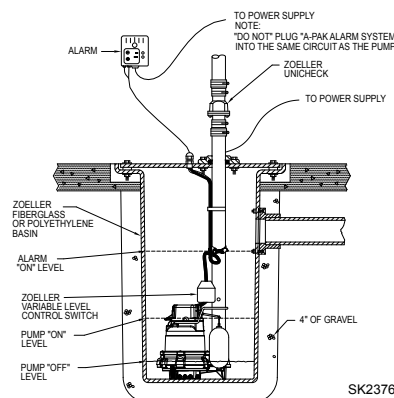


SK1301D

Figure B

### LIFT PUMP

Suspend control switch above pump turn on level. If a pump failure causes high-level condition, the A-Pak Alarm System will activate (see Fig. C).

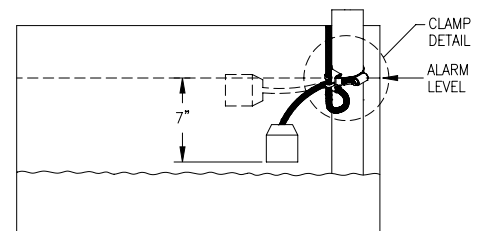


SK2376

Figure C

### SEWAGE HOLDING TANK

Suspend control switch into tank seven inches below desired alarm level. A-Pak Alarm System will activate if float ascends to alarm level (see Fig. D).



SK1301B

Figure D

# CONTROL SWITCH INSTALLATION

## VERTICAL REED FLOAT SWITCH (10-2613, 10-2615)

**▲ WARNING** DO NOT install switch in direct line of incoming liquid.

- 1) Place the clamp into the switch housing as shown. (see Fig. E).
- 2) Locate clamp at desired activation level and secure the clamp to the discharge pipe as shown (see Fig. E).  
**NOTE: DO NOT** install cord under hose clamp.
- 3) Tighten the hose clamp using a screwdriver. Over tightening may result in damage to the switch housing.
- 4) Check installation. Allow system to cycle to insure proper operation.

**NOTE:** When installing the control switch, a cable strain relief must be used to secure the control switch cord.

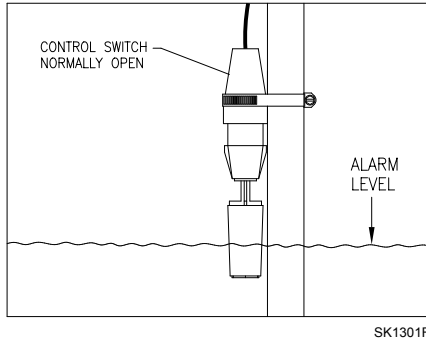


Figure E

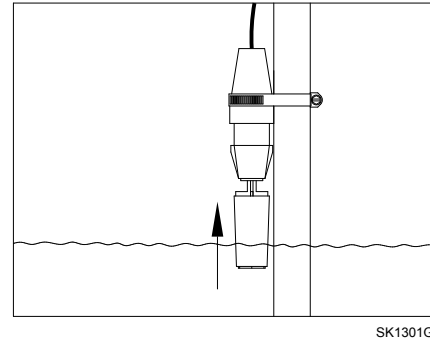


Figure F

**NOTE:** Alarm systems 10-2613 and 10-2615 are not intended to be used in sewage holding tank systems.

## CONTROL SWITCH WIRING

Connect the two conductors from the control switch to either of the terminations on the bottom of the alarm panel (see Fig. G). The control switch operates on low voltage and is isolated from the 120 VAC power line to reduce shock hazards.

### TEST

Check and test your installation by lifting the float manually (see Fig. D or F). The alarm panel should indicate an alarm condition. The Zoeller Company cannot be responsible for damages caused by faulty or negligent installation of this device. We respectfully suggest you engage the services of a qualified licensed electrician or service person. Push TEST button once per week to verify proper operation.

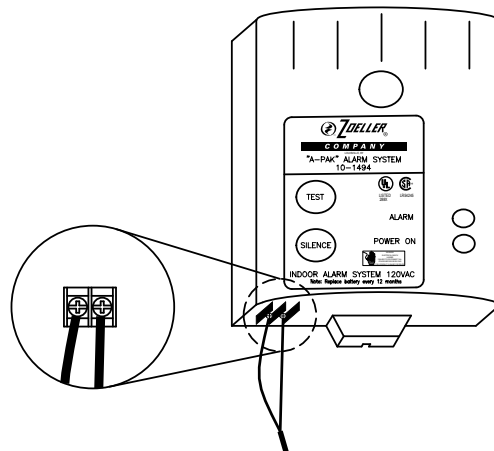


Figure G

# MODELS 10-2614 AND 10-2615 "A-PAK" ALARM SYSTEMS WITH AUXILLIARY CONTACTS WIRING INSTRUCTIONS



**⚠ WARNING** ELECTRICAL SHOCK HAZARD - Disconnect all power sources before servicing. Failure to do so could result in serious injury or death.

- 1) Remove the three screws from the back of the enclosure as shown in Fig. H.
- 2) Remove the back of the enclosure. Note the position of the power cord in the enclosure. The cord will need to be located in the same manner when the enclosure back is replaced.
- 3) Determine the location where the auxiliary contact wires will enter the housing. See Fig. I for recommended location. Before drilling the hole, loosen the circuit board mounting screw and remove the circuit board. See Fig. J.
- 4) At the selected location, drill a hole in the enclosure suitable for the strain relief that will be used (strain relief not included).
- 5) Install strain relief and reinstall the circuit board. Connect wires to the terminal block shown in Fig. J.
- 6) Markings on the circuit board show positions for Common (C), Normally Open (NO), and Normally Closed (NC).

7) Position the power cord into place as it was prior to removing the enclosure back as shown in Fig. J.

8) Reinstall the enclosure back and three screws.

**⚠ CAUTION** Do not over torque screws. Screw bosses may become stripped.

9) Note that while testing the installed product, the auxiliary alarm wired to the auxiliary contacts should activate in an alarm condition. The auxiliary alarm should also remain in alarm condition when the silence button is pushed.

## Auxiliary Contacts Specifications

Voltage: 120 VAC  
Current: 5 amps max. N/O  
3 amps max. N/C

**NOTE:** This unit includes auxiliary contact option. Due to increased power consumption, if an alarm condition occurs while on battery backup power, this option will reduce the life of the battery.

Figure H

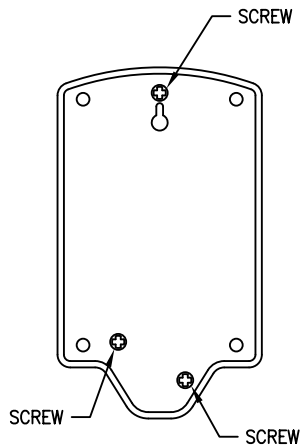


Figure I

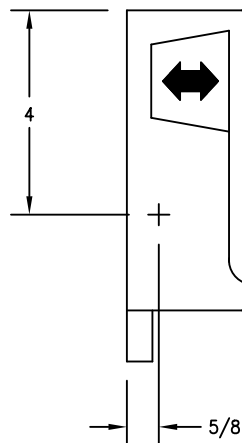
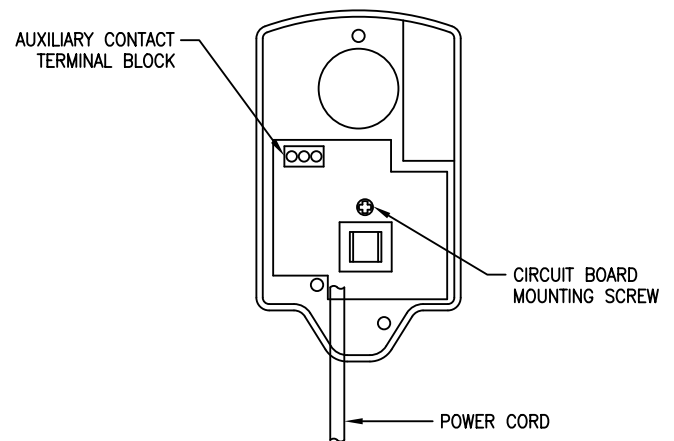


Figure J



**⚠ WARNING** All electrical systems must be installed by a qualified licensed electrician according to the National Electrical Code and all other applicable codes.

SK2775

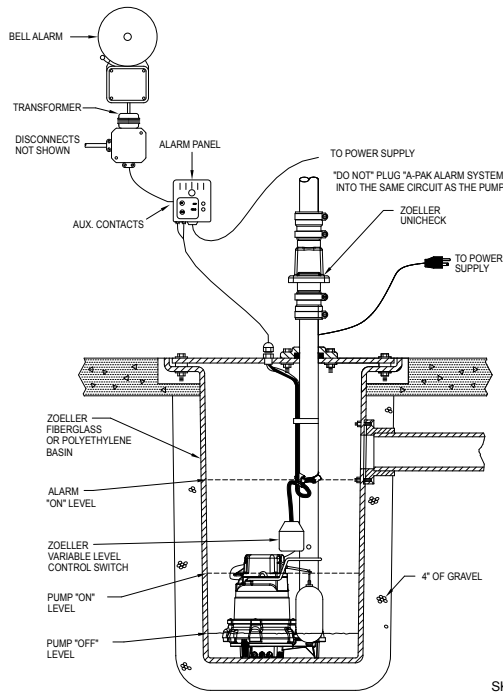
# BELL ALARM SYSTEMS TYPICAL INSTALLATION AND WIRING INSTRUCTIONS

**⚠ WARNING** All electrical systems must be installed by a qualified licensed electrician according to the National Electrical Code and all other applicable codes.

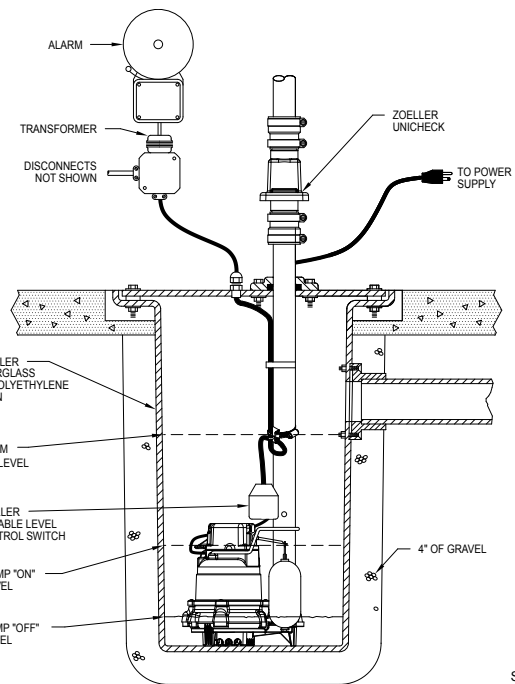
Model	Voltage	dB @ 10'	Bell	Transformer	Float
10-0015	115V	74	✓	✓	
10-0016	230V	74	✓	✓	
10-0028	115V	78	✓	✓	✓

NOTE: Utility box and cordage sold separately. Bell Alarms 10-0015 and 10-0016 are designed to be used with Alarm Packs 10-2614 and 10-2615.

## TYPICAL SIMPLEX SYSTEMS WITH BELL ALARM SYSTEM



SK2911



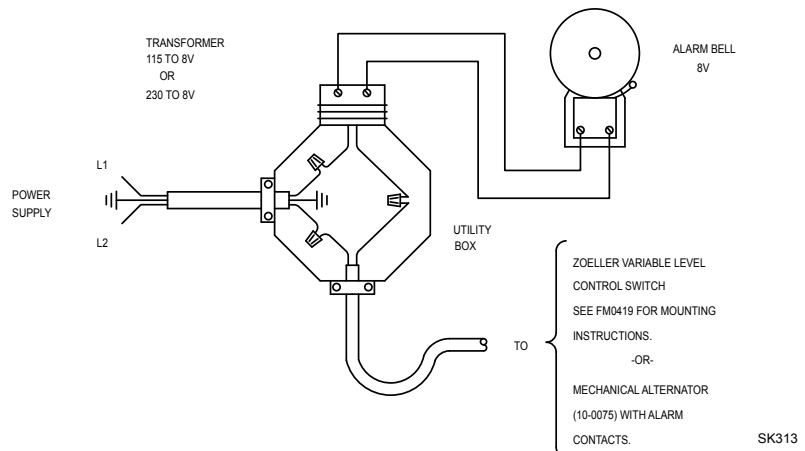
SK367

### WIRING DIAGRAM

(10-0015)  
(10-0016)  
(10-0028)

DISCONNECT  
NOT SHOWN

**NOTE: ALARM SYSTEM  
SHOULD BE ON A SEPARATE  
CIRCUIT FROM PUMPS.**



SK313



**PUMP COMPANY**

MAIL TO: P.O. BOX 16347 • Louisville, KY 40256-0347  
SHIP TO: 3649 Cane Run Road • Louisville, KY 40211-1961  
(502) 778-2731 • 1 (800) 928-PUMP • FAX (502) 774-3624

**Your Peace of Mind is Our Top Priority®**

visit our web site:  
[www.zoeller.com](http://www.zoeller.com)