



## SCOT S-60 Series Slow-Closing Temperature Lavatory Faucet

## Metering Faucet S-61 Series Metering Lavatory Faucet

### Installation & Service Instructions

Important: Water lines MUST be thoroughly flushed BEFORE and AFTER installing the faucet to prevent foreign matter i.e. copper chips, sand, stones, etc. from clogging and possibly damaging the sealing surfaces of the cartridge.

#### INSTALLATION

(Supply stop valves must have a 3/8" O.D. compression outlet.)

- S-60 Series:** Remove nut and ferrule from supply stops, install in-line check/screen assembly (LL-71B) on male outlet of stops.
- Install SPF-KIT loosely on faucet. Position faucet through sink or counter with mounting gasket under base. Secure faucet tightening nuts from under side.
- Install drain assembly. Seal under flange with putty.
- S-60 Series:** Carefully bend copper supplies to meet water supplies using palms of hands to avoid kinking tubing or fracturing solder joints. Connect hot supply to left tube and cold supply to right tube using appropriate lengths of 3/8" O.D. tubing between faucet supplies and in-line check/screen assembly.

**S-61 Series:** Connect cold or tempered supply to faucet supply using appropriate length of 3/8" O.D. tubing between faucet and in-line check/screen assembly.

- S-60 Series:** To flush faucet remove aerator (LN-100 or LN-101) and turn valve handle to full cold position. Open supply and depress handle holding down for 10 seconds, rotate handle to hot position, open supply and repeat above procedure. Hold down handle and rotate from left to right to flush lines thoroughly. Allow faucet to shut off and replace aerator.

**S-61 Series:** To flush faucet remove aerator (LN-100 or LN-101) and open supply stop depress handle and hold down for 10 seconds. Repeat several times and allow faucet to shut off. Replace aerator.

#### Adjustment of cycle time and temperature

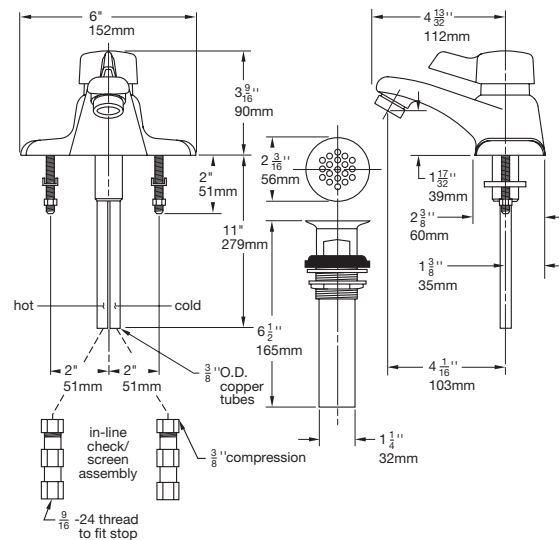
After faucet has been operated through a number of cycles and supply water temperature is at designed levels, adjustments to these features can be made as follows.

**Cycle Time:** To increase time, loosen allen screw (LL-27) with a 3/32" hex socket key, remove handle (LT-100 or LL-104) and remove one or more of the washers (LL-28) on stem. To reduce time, add washers.

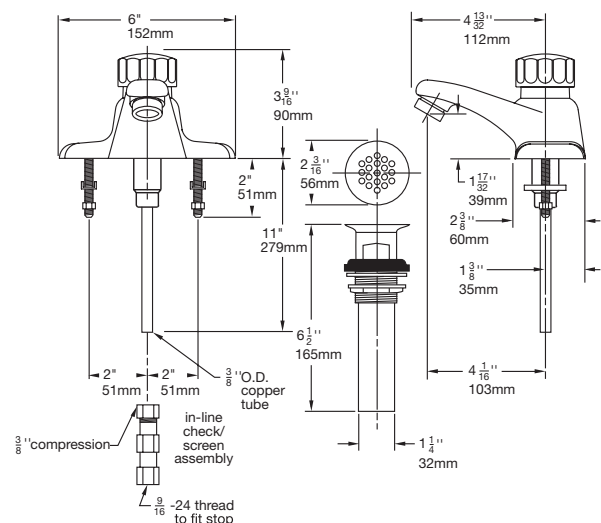
#### Temperature limit adjustment (S-60 Series only):

Loosen allen screw (LL-27) with a 3/32" hex socket key. Remove handle (LL-104), loosen nut (LL-6) and turn stem (LL-1A) to desired maximum temperature (110°F recom-

#### S-60 Series



#### S-61 Series



mended). Turn limit stop washer (LL-23N) clockwise until a positive stop is reached against back of faucet. Tighten nut (LL-6), replace and tighten handle (LL-104). Faucet will operate from the full cold position to the maximum hot temperature that has been set.

#### Reverse operation (S-60 Series only)

For piping simplicity in back to back installation or when hot supply is on right, the faucets internal operation can be quickly reversed.

Remove handle (LL-104), nut (LL-6), and limit stop washers (LL-22N) & (LL-23N), turn stem 180° so that red marking is facing toward front.

Replace limit stop washers, adjust to desired temperature (see adjustment procedure in preceding paragraph), reassemble faucet reversing above procedure.

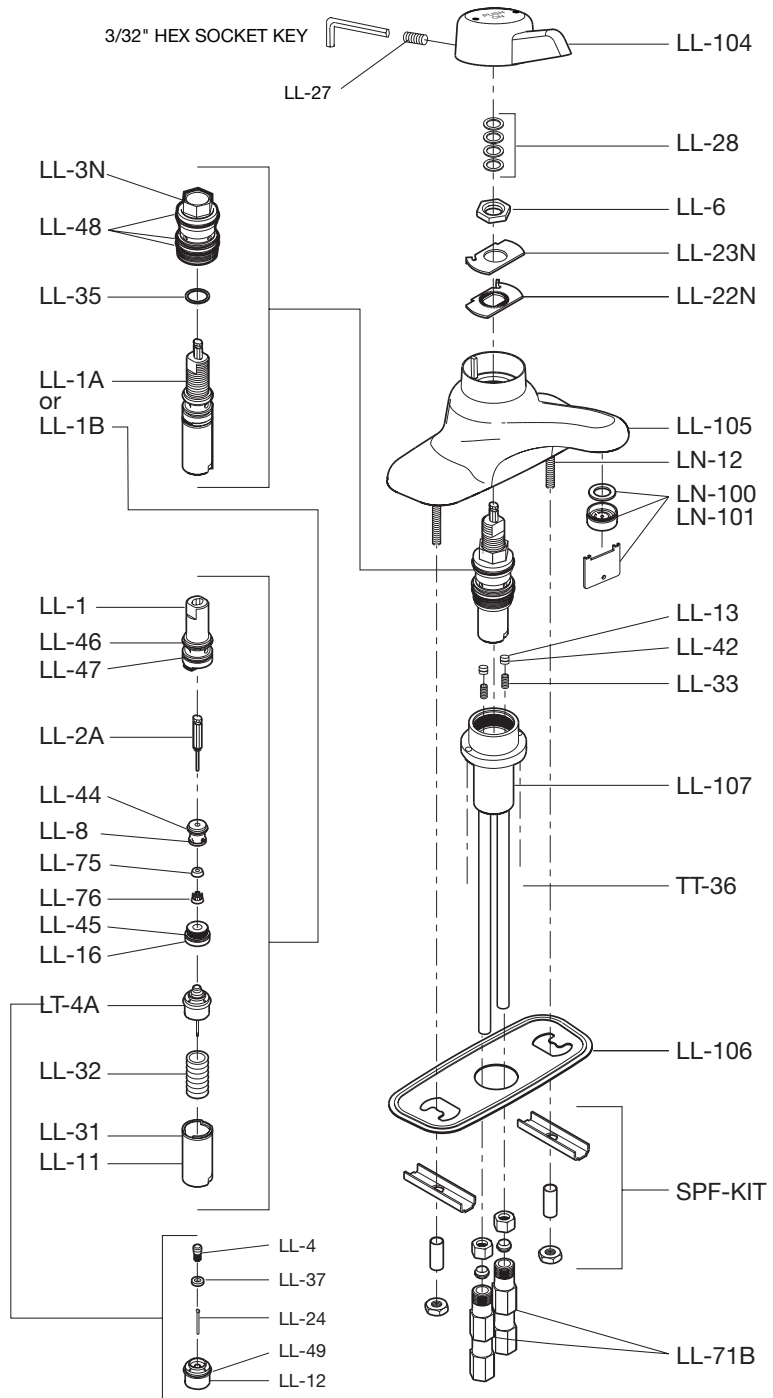
Faucet will operate from the full cold position to the maximum hot temperature that has been set.

# SCOT® S-60 Series

- LL-1 Control spindle
- LL-1A Control cartridge
- LL-1B Control cartridge for quick-closing
- LL-2A Cycle spindle assembly
- LL-3N Upper housing
- LL-4 Piston washer screw
- LL-6 Limit stop retainer nut
- LL-8 Cycle spindle guide
- LL-11 Piston cylinder
- LL-12 Piston
- LL-13 Inlet seat
- LL-16 Shut-off seat
- LL-22N Limit stop washer (fixed)
- LL-23N Limit stop washer (adjustable)
- LL-24 Control rod
- LL-27 Handle set screw
- LL-28 Cycle time washers
- LL-31 Retaining ring
- LL-32 Piston spring
- LL-33 Inlet seat springs (2)
- LL-35 Thrust washer
- LL-37 Shut-off washer
- LL-42 Inlet seat o-rings (2)
- LL-44 Spindle guide large o-ring
- LL-45 Shut-off seat o-ring
- LL-46 Control spindle small o-ring
- LL-47 Control spindle large o-ring
- LL-48 Upper housing o-rings (3)
- LL-49 Piston o-ring
- LL-71B In-line check/screen assembly (2)
- LL-75 Spindle guide huva cup
- LL-76 Huva cup retainer
- LL-104 Handle
- LL-105 Shell
- LL-106 Base plate gasket
- LL-107 Supply housing
- LN-12 Anchor stud
- LN-100 Aerator (vandal resistant 0.5 gpm)
- LN-101 Aerator (vandal resistant)
- LT-4A Piston assembly
- SPF-KIT Mounting Kit
- TT-36 Undercover plate screws (2)

Tools required for disassembly  
 Standard tools required:  
 Adjustable or 11/16" and 3/4" open end wrench, small phillips screwdriver, pliers, 3/4" deep socket

Repair Kit LL consists of:  
 LL-4, LL-8, LL-13, LL-24, LL-31, LL-32, LL-33, LL-35, LL-37, LL-42, LL-43, LL-44, LL-45, LL-46, LL-47, LL-48, LL-49, LL-73, LL-75, LL-76.

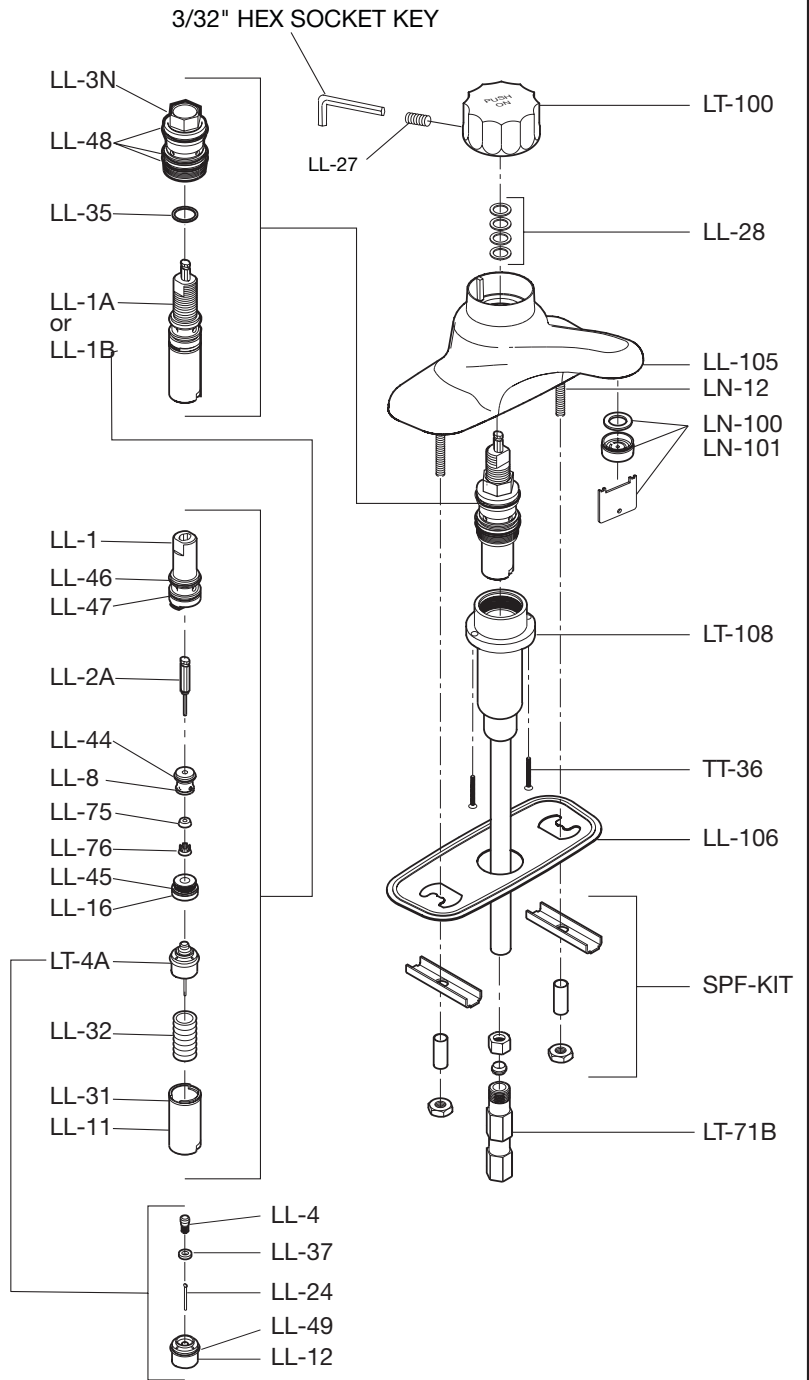


# Metering Faucet S-61 Series

- LL-1 Control spindle
- LL-1A Control cartridge
- LL-1B Control cartridge for quick-closing
- LL-2A Cycle spindle assembly
- LL-3N Upper housing
- LL-4 Piston washer screw
- LL-8 Cycle spindle guide
- LL-11 Piston cylinder
- LL-12 Piston
- LL-16 Shut-off seat
- LL-24 Control rod
- LL-27 Handle set screw
- LL-28 Cycle time washers
- LL-31 Retaining ring
- LL-32 Piston spring
- LL-35 Thrust washer
- LL-37 Shut-off washer
- LL-44 Spindle guide large o-ring
- LL-45 Shut-off seat o-ring
- LL-46 Control spindle small o-ring
- LL-47 Control spindle large o-ring
- LL-48 Upper housing o-rings (3)
- LL-49 Piston o-ring
- LL-75 Spindle guide huva cup
- LL-76 Huva cup retainer
- LL-105 Shell
- LL-106 Base plate gasket
- LN-12 Anchor stud
- LN-100 Aerator (vandal resistant 0.5 gpm)
- LN-101 Aerator (vandal resistant)
- LT-4A Piston assembly
- LT-71B In-line check/screen assembly
- LT-100 Handle
- LT-108 Supply housing
- SPF-KIT Mounting Kit
- TT-36 Undercover plate screws (2)

Tools required for disassembly  
 Standard tools required:  
 Adjustable or 11/16" and 3/4" open end wrench,  
 small phillips screwdriver, pliers, 3/4" deep  
 socket

Repair Kit LL consists of:  
 LL-4, LL-8, LL-13, LL-24, LL-31, LL-32, LL-33,  
 LL-35, LL-37, LL-42, LL-43, LL-44, LL-45,  
 LL-46, LL-47, LL-48, LL-49, LL-73, LL-75,  
 LL-76.



## SERVICE INSTRUCTIONS

1. General repair will require the repair or replacement of the cartridge unit.
2. Shut off water supply to the faucet.
3. Remove handle with 3/32" hex socket key.
4. **S-60 Series:** Remove cycle time washers (LL-28), limit stop retainer nut (LL-6), and limit stop washers (LL-22N and LL-23N).  
**S-61 Series:** Remove cycle time washers (LL-28).
5. **S-60 Series:** Remove upper housing (LL-3N) with an adjustable wrench, slide housing off control cartridge (LL-1A).  
**S-61 Series:** Remove upper housing (LL-3N) with an adjustable wrench, slide housing off control cartridge (LL-1A).
6. **S-60 Series:** Control cartridge (LL-1A) can be either replaced or repaired at this point. Disassemble cartridge

by opening retaining ring (LL-31) and sliding down piston cylinder (LL-11).

- S-61 Series:** Control cartridge (LL-1A) can be either replaced or repaired at this point.
7. **S-60 Series:** Ordinary service requires only the replacement of the piston/o-ring assembly (LT-4A) and spring (LL-32). Complete rebuilding of the cartridge can be accomplished with repair KIT-LL.  
**S-61 Series:** Ordinary service requires only the replacement of the piston/o-ring assembly (LT-4A) and spring (LL-32). Complete rebuilding of the cartridge can be accomplished with repair KIT-LL.
  8. **S-60 Series:** When re-installing cartridge be sure to align red marking facing back on a normal installation and towards the front on a reverse operation installation.
  9. Reassemble, reversing above procedure.

## TROUBLE SHOOTING CHART

Problem	Cause	Solution (Follow service instructions)
Faucet runs to long or to short.	Timing	Remove handle - then add washers (LL-28) to stem to shorten time or remove washers to lengthen time.
Faucet drips	Seat washer worn or foreign matter (chips, dirt, solder, etc.) is between washer and seat surface.	Disassemble cartridge and remove piston (LT-4A). Unscrew LL-4 and clean seat washer (LL-37). Check S.S. pin (LL-24) for burr then reassemble.
Faucet runs constantly.	Seat washer not closing on seat surface or seat washer and/or seat surface worn.	Remove piston (LT-4A) and spring (LL-32). Check for burr on pin (LL-24) and check spring. Both LT-4A and LL-32 may have to be replaced. Excessive wear may require cartridge replacement LL-1A.
Water leaks from under handle.	Stem washers worn.	Remove cartridge and replace washers using KIT-LL.
Faucet leaks on or under counter.	Supply housing o-rings worn.	Replace LL-48 o-rings.
Faucet bleeding between hot and cold (SCOT S-60 series only).	LL-71B check/screens <b>not</b> installed.	Two chrome plated 3/8" check/screens are supplied with every faucet and <b>must</b> be installed.
Faucet bleeding between hot and cold (SCOT S-60 series only).	LL-71B check/screens <b>are</b> installed.	Replace LL-13 seats.
Handle is loose.	Set screw has loosened.	Tighten set screw.
Handle is sticking to cartridge.	Accumulation of sediment in cartridge.	Remove handle (LL-104) and all timing washers (LL-28) from cartridge. Secure handle back onto cartridge. After moving handle to the hot position, cycle faucet by pressing down on handle. Cycle faucet 12 times. Remove handle and replace timing washers.