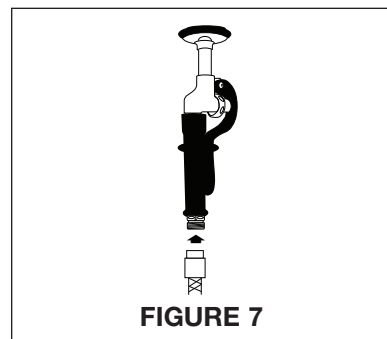
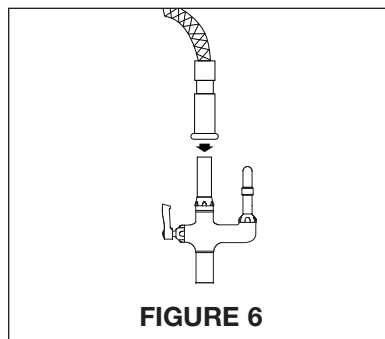


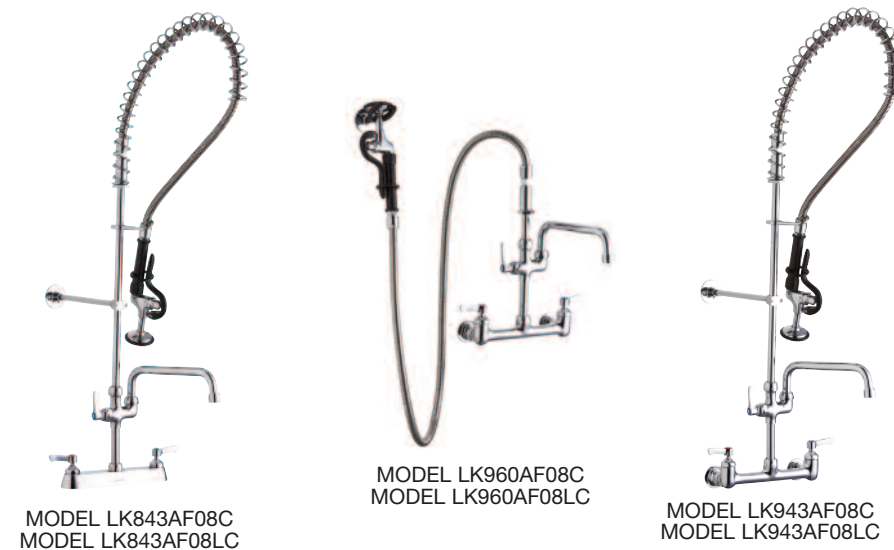
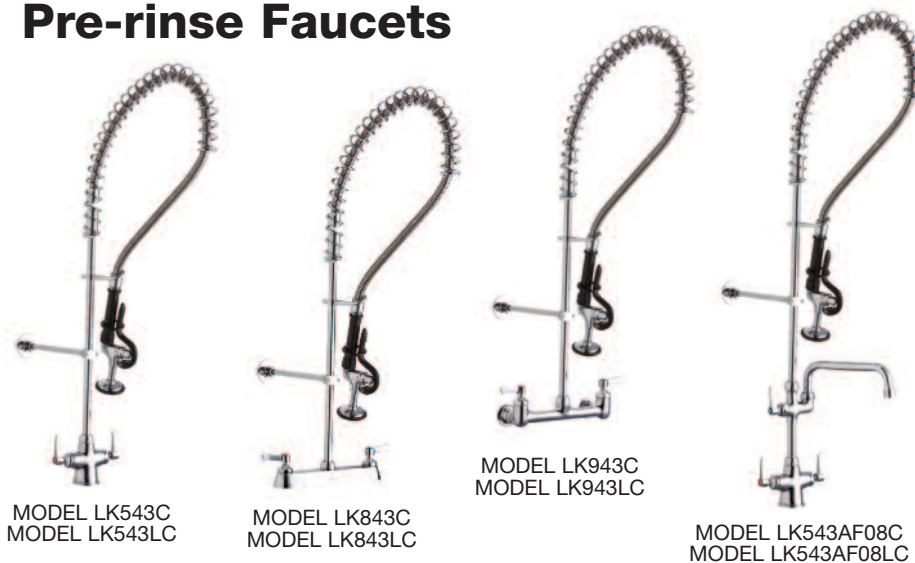
Model LK960AF08C

1. Mount faucet body to wall.
2. Mount add on faucet to faucet body (see Figure 5).
3. Assemble hose to short riser (see Figure 6).
4. Assemble spray to hose (see Figure 7).
5. Attach hook to wall with screws provided.



ELKAY®

Installation Instructions for Wall Mount and Deck Mount Pre-rinse Faucets



Elkay

www.elkayusa.com

2222 Camden Court
Oak Brook, IL 60523

Printed in U.S.A.
©2012 Elkay

(1/12) P99365 Rev. A

SAVE FOR CONSUMER

ELKAY • 2222 CAMDEN COURT • OAK BROOK, IL 60523 USA

PRE-RINSE ASSEMBLY

General Instructions

- Turn off the water supply at the main source.
- Hand tighten all parts prior to tightening with wrench. Do not force parts together.
- Handle plated surfaces with care, being careful not to scratch with tools.
- All wall mount faucets have a 1/2" I.P.S. female flanged inlet.
- For easier assembly, you may purchase as an accessory, the LKMK462 mounting kit.



Assemble Faucet Body

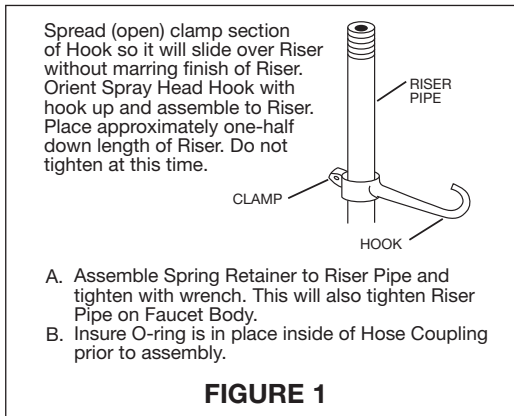
Attach faucet body. For back splash mount, apply teflon tape to supply line nipples spring and attach flange fittings.

Attach body to flange fittings.

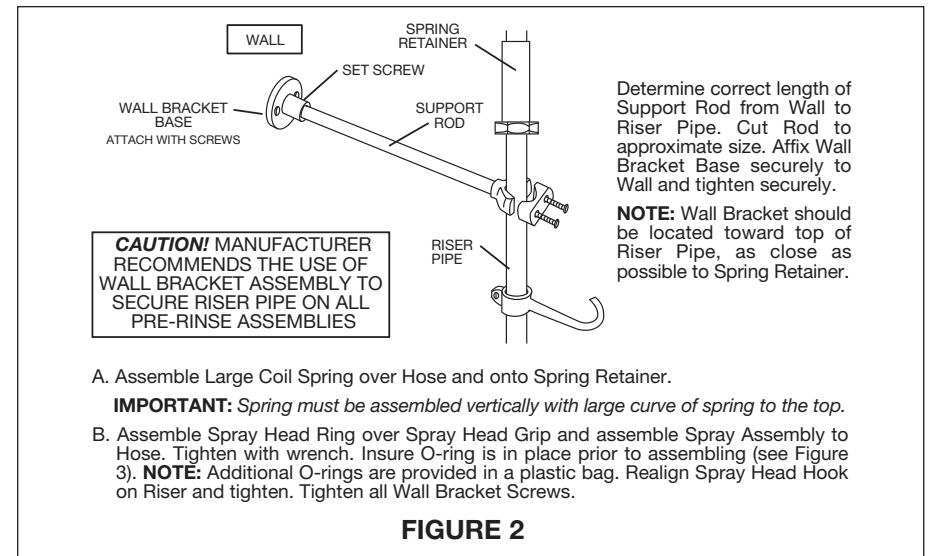
For deck mount models, place the foam gasket on top of surface and attach the combo nuts below. Tighten to be hand tight.

Assemble Faucet to Flanges

1. Assemble hook to riser (see Figure 1).
2. Attach wall support rod (see Figure 2).
3. Add hose, spring spray and spring retainer as shown in Figure 3.
4. Attach pre-rinse assembly to faucet body (see Figure 4).
5. For models with add on faucet option, insert additional faucet between pre-rinse assembly and faucet body (see Figure 5).



- A. Assemble Spring Retainer to Riser Pipe and tighten with wrench. This will also tighten Riser Pipe on Faucet Body.
- B. Insure O-ring is in place inside of Hose Coupling prior to assembly.



A. Assemble Large Coil Spring over Hose and onto Spring Retainer.

IMPORTANT: Spring must be assembled vertically with large curve of spring to the top.

B. Assemble Spray Head Ring over Spray Head Grip and assemble Spray Assembly to Hose. Tighten with wrench. Insure O-ring is in place prior to assembling (see Figure 3). **NOTE:** Additional O-rings are provided in a plastic bag. Realign Spray Head Hook on Riser and tighten. Tighten all Wall Bracket Screws.

