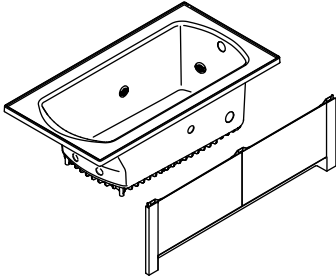


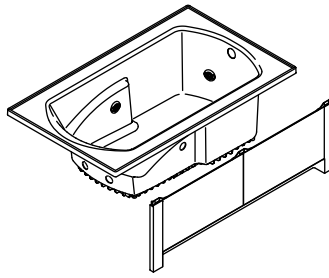
Installation Guide

Whirlpool Bath

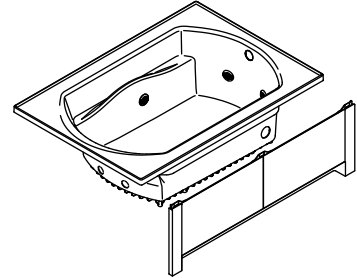
7626 Series



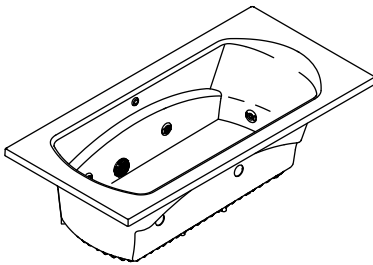
7627 Series



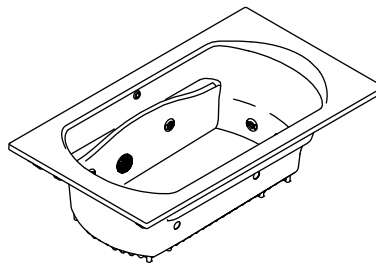
7628 Series



7630 Series



7631 Series



Français, page "Français-1"
Español, página "Español-1"

STERLING
A KOHLER COMPANY

INSTALLATION INSTRUCTIONS



WARNING: When using electrical products, basic precautions should always be followed, including the following:



DANGER: Risk of electric shock. Connect only to a circuit protected by a Ground-Fault Circuit-Interrupter (GFCI)*.

Building materials and wiring should be routed away from the pump body and other heat-producing components of the unit.

Install to permit access for servicing.

A pressure wire connector marked "Earth/Ground" is provided within the wiring compartment. To reduce the risk of electric shock, connect this connector to the grounding terminal of your electric service or supply panel with copper wire equivalent in size to the circuit conductor supplying this equipment.

Pressure wire connectors are provided on the exterior of the junction box, pump or control within this unit to permit connection of a bonding conductor between this unit and all other exposed metal in the vicinity, as needed to comply with local requirements.

Grounding is required. The unit should be installed by a qualified service representative, and grounded.



WARNING: Risk of injury or property damage. Please read all instructions thoroughly before beginning installation, including the following requirements.



WARNING: Risk of electric shock. A qualified electrician should make all electrical connections.



WARNING: Risk of electric shock. Disconnect power before servicing.

NOTICE: Follow all local plumbing and electrical codes. In Canada, install this unit in accordance with the Canadian Electrical Code, Part 1.

*Outside North America, this device may be known as a Residual Current Device (RCD).

Product Information

Electrical Requirements

NOTE: If the supply cord is damaged, it must be replaced by the manufacturer, its service agent, or similarly qualified persons in order to avoid a hazard.

- The installation must include a Class A Ground-Fault Circuit-Interrupter (GFCI). The GFCI protects against line-to-ground shock hazard. Use a 120 V, 15 A, 60 Hz dedicated service for the whirlpool.

Product Notices



WARNING: Unauthorized modification of the pump or blower may cause unsafe operation and poor performance of the product. Do not relocate the pump or blower, or make other modifications to the system, as this could adversely affect the performance and safe operation of the product. Sterling shall not be liable under its warranty or otherwise for personal injury or damage caused by any such unauthorized modification.

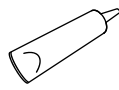
Factory-Assembled Features

- Factory installed components include: pump with power supply cord, air switch transmitter, and whirlpool jets with suction fitting.

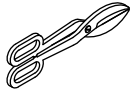
Connections and Service Access

- Before installation, verify proper access to the final connections.

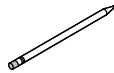
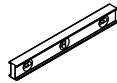
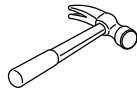
Tools and Materials



Clear 100%
Silicone Sealant



Tin Snips



Plus:

- Conventional woodworking tools and materials
- Drop cloth
- Mortar cement (recommended)
- 1x4s, and 2x4s or 2x6s
- Hole saw
- Galvanized or plated non-tapered flathead screws
- Furring Strips

Before You Begin



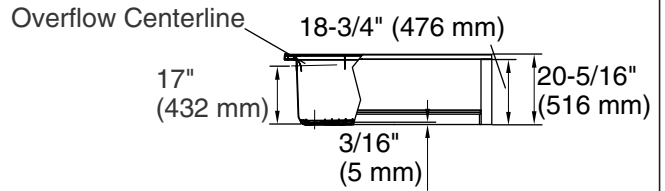
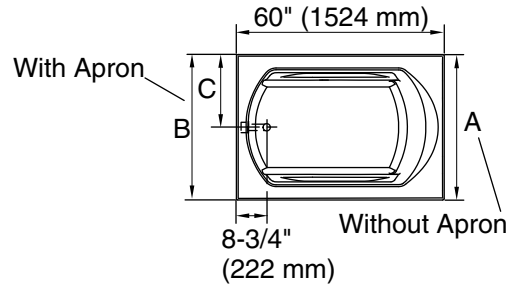
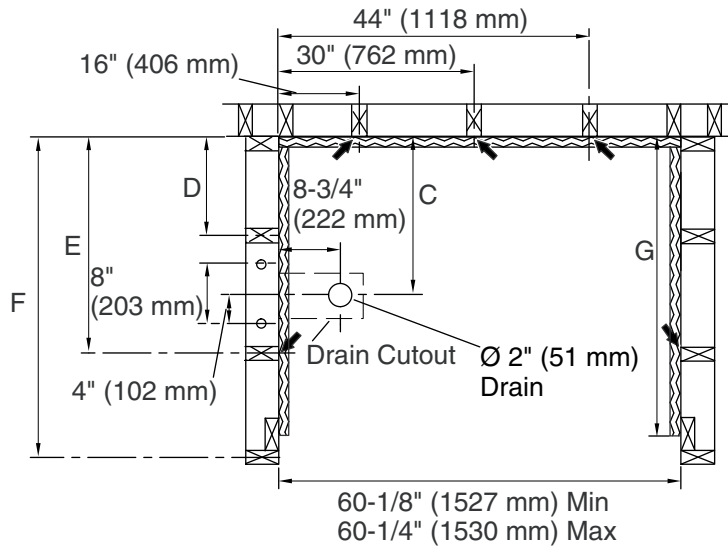
CAUTION: Risk of personal injury. Do not select a large rim-mount faucet or large deck-mount faucet for this product. These faucets may be inadvertently used as a means of support and are not appropriate or safe for this installation. Select a wall-mount faucet or alternative deck-mount faucet.

CAUTION: Risk of product damage. Lift the whirlpool by the rim at multiple points.

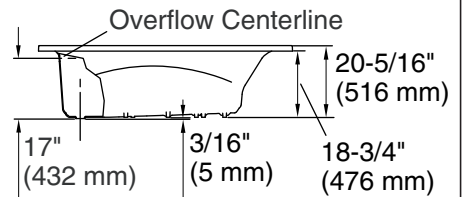
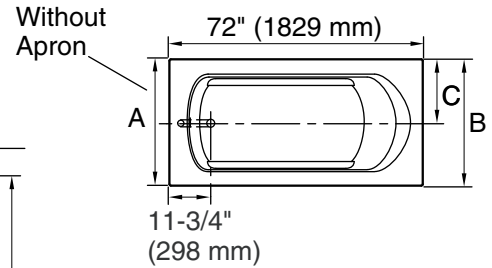
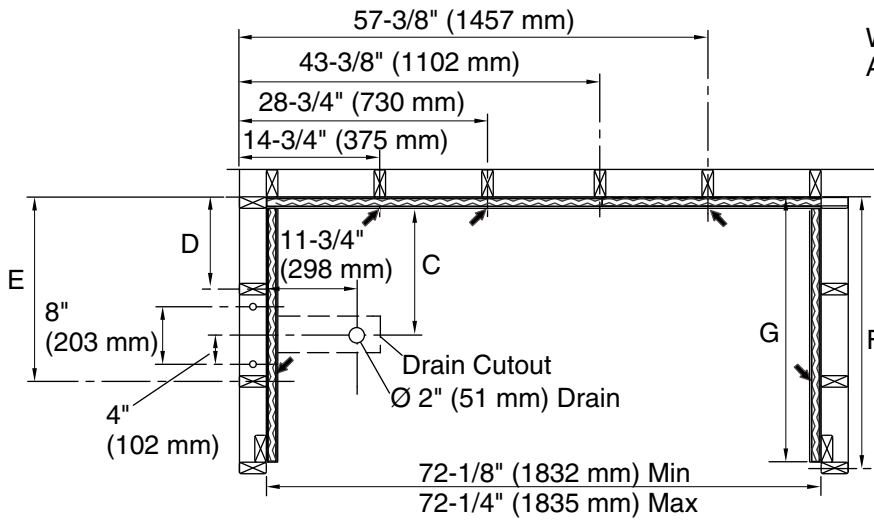
CAUTION: Risk of product damage. To avoid rust marks on your product, ensure the roofing nails or non-tapered flathead screws are galvanized or plated. If using galvanized or plated non-tapered flathead screws, **do not overtighten the screws.** Excessive tightening can damage the wall flange. Consult local building codes to determine if the screws or nails must be galvanized or plated.

NOTICE: Risk of product damage. Do not install the whirlpool over open floor joists. The basin area requires no additional support when the subfloor is level and square with the stud framing. Install the whirlpool on an adequately supported, level subfloor. Use shims for additional support if the subfloor is uneven.

- Observe all applicable plumbing, electrical, and building codes.
- This whirlpool is designed for drop-in installations. Alcove installations require ledger strips.
- An optional apron is available for the 60" (1524 mm) long (7626, 7627, and 7628 Series) models.
- Upon receipt, check for shortages or damage. Report any shortages or damage immediately.
- Do not remove the old fixture before you unpack and inspect the new unit.
- Store the whirlpool in a safe place until you begin installation to avoid damage.
- If remodeling, measure the existing framework before removing the old whirlpool to make sure that the new whirlpool will fit. Make sure that the drain is in the correct location.
- Confirm adequate mounting and connection space for the water supply and drain installation.
- If your whirlpool is shipped with a liner, keep the liner in place until construction is complete. If a liner is not available, position a clean drop cloth or similar material in the bottom of the whirlpool.
- If you encounter any installation or performance problems, please do not hesitate to contact Sterling at 1-888-STERLING in the USA or 001-877-680-1310 in Mexico.




7626, 7627, 7628



7630, 7631

 Ledger Strip

 Recommended Support Clip or Roofing Nail Location (5 Total)

Roughing-In

	A	B	C	D	E	F	G
7626	32" (813 mm)	32-1/4" (819 mm)	16" (406 mm)	10" (254 mm)	22" (559 mm)	31-1/4" (794 mm)	30-1/4" (768 mm)

Roughing-In (cont.)

7627	36" (914 mm)	36-1/4" (921 mm)	18" (457 mm)	12" (305 mm)	24" (610 mm)	35-1/4" (895 mm)	34-1/4" (870 mm)
7628	42" (1067 mm)	42-1/4" (1073 mm)	21" (533 mm)	15" (381 mm)	27" (686 mm)	41-1/4" (1048 mm)	40-1/4" (1022 mm)
7630	36" (914 mm)	N/A	18" (457 mm)	12" (305 mm)	24" (610 mm)	35-1/4" (895 mm)	34-1/4" (870 mm)
7631	42" (1067 mm)	N/A	21" (533 mm)	15" (381 mm)	27" (686 mm)	41-1/4" (1048 mm)	40-1/4" (1022 mm)

IMPORTANT! All dimensions are nominal. The stud opening tolerance is +1/8" (3 mm)/-0. Carefully measure your fixture before determining enclosure size. Some shimming between the stud frame and the fixture may be required. If a firewall is required, the roughing-in dimensions will have to increase according to the thickness of the firewall material. Stud opening dimensions must be measured toward the exposed side of the wall material. Dimensions given in the roughing-in information are crucial for proper installation. Construct the framing and plumbing accurately.

If installing this whirlpool with a shower door, refer to the shower door manufacturer's instructions for any special framing considerations.

1. New Framing Construction

NOTE: Refer to the "Roughing-In" section for dimensions.

IMPORTANT! The whirlpool must be supported by a subfloor. Do not install directly to open floor joists.

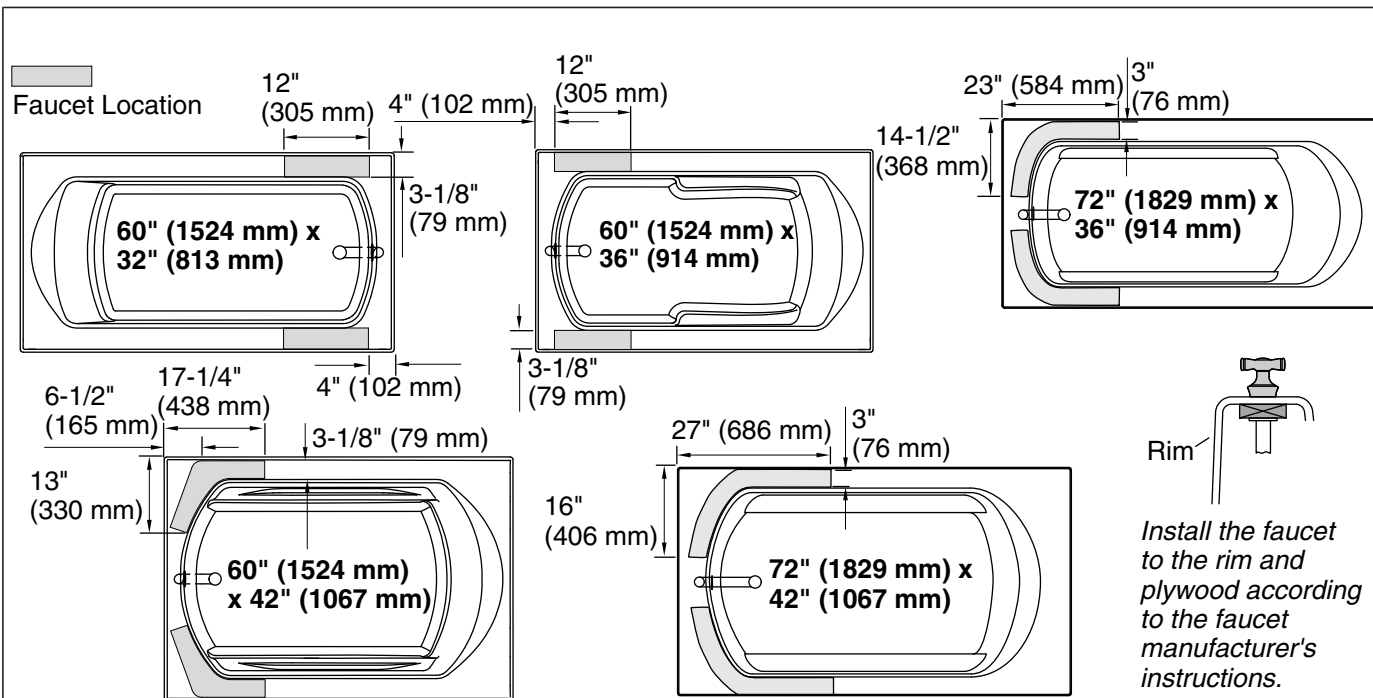
Framing Provisions

- A subfloor must be installed. The whirlpool must be positioned to allow clearance for drainage through the floor joists or slab and to allow convenient plumbing installation.

IMPORTANT! Accessories that require backing or support are not recommended for this installation.

- If installing this unit with a shower door, refer to the shower door manufacturer's instructions for any special framing considerations. It may be appropriate to add studs for pivot shower door support.

IMPORTANT! Construct the floor of plywood. If whirlpool is installed over material other than plywood, friction may cause squeaking over time.



2. Install the Rough Plumbing



CAUTION: Risk of personal injury. Do not select a large rim-mount faucet or large deck-mount faucet for this product. These faucets may be inadvertently used as a means of support and are not appropriate or safe for this installation. Select a wall-mount faucet or alternative deck-mount faucet.

NOTE: Provide access to all plumbing connections to simplify future maintenance. Include access at the back of the plumbing wall whenever possible.

NOTE: Do not install the trim at this time.

- Before installing a rim- or deck-mount faucet, measure and cut a piece of 3/4" exterior grade plywood to act as a support under the bath rim. Cut a piece of plywood large enough to support the faucet components and extend beyond the area where the faucet will be installed.
- Install the water supply pipes at one of the specified faucet locations. Refer to the faucet manufacturer's instructions for proper installation.
- Strap the supply lines to the stud framing.
- Install the valves according to the faucet manufacturer's instructions.

3. Prepare the Site

IMPORTANT! The whirlpool supports must rest directly on a level subfloor.

IMPORTANT! Squeaking may develop between the bath and the subfloor. If your bath was shipped with a pad, place the pad between the bath and the subfloor. If your bath was not shipped with a pad, we recommend installing it in a bed of mortar cement. See "Install a Mortar Cement Bed" section. Do not use roofing felt or polyester materials.

IMPORTANT! The drain line must be installed in accordance with the drain manufacturer's instructions. Locate the drain line and trap using the dimensions given in the "Roughing-In" section.

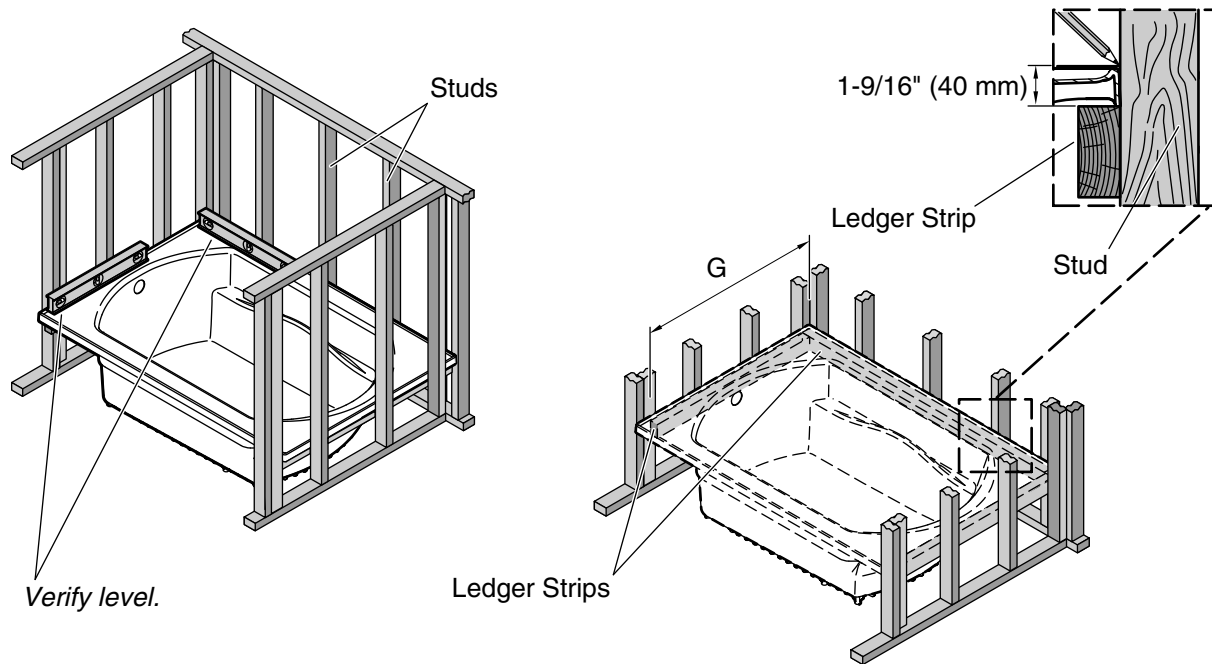
- For above-the-floor drain installations, cut the hole in the floor for the drain line.
- For through-the-floor drain installations, cut the hole in the floor for the drain assembly. The drain connection should be made directly under the overflow drain. Leave room to connect the piping.
- Verify the subfloor is level.

Prepare the Site (cont.)

Install a Mortar Cement Bed (Optional)

NOTE: The whirlpool supports must rest directly on the subfloor.

- Build a dam to keep the flooring material clear of the drain area.
- Spread a 2" (51 mm) layer of mortar cement on the subfloor, spreading it so that each area of the whirlpool that will contact the subfloor has mortar cement. Do not spread the mortar cement around the drain area. Allow room for the mortar cement to expand from the weight of the whirlpool.
- Immediately move the whirlpool into position.
- Verify that the whirlpool is level and resting on all supports.
- Clean the whirlpool to reduce the risk of damaging the surface.

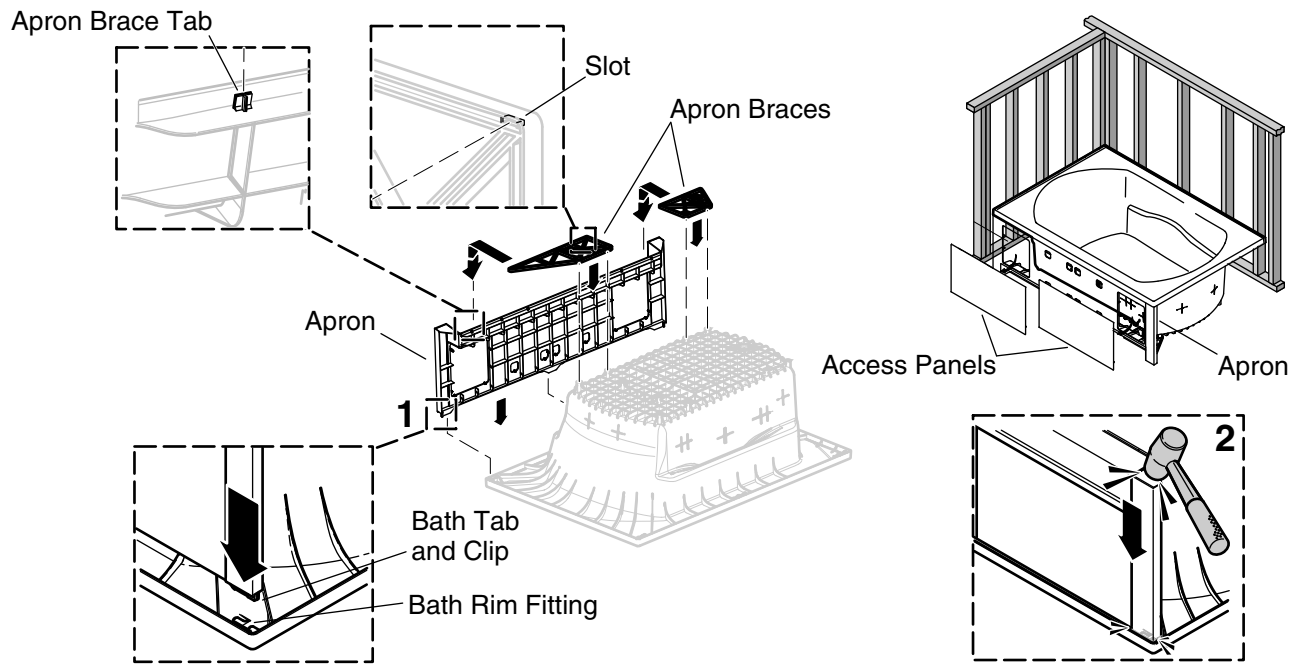


4. Prepare the Whirlpool - Alcove Installations

Series	G
7626	30-1/4" (768 mm)
7627	34-1/4" (870 mm)
7628	40-1/4" (1022 mm)
7630	34-1/4" (870 mm)
7631	40-1/4" (1022 mm)

NOTE: Keep a liner or drop cloth in place in the bottom of the whirlpool until construction is complete.

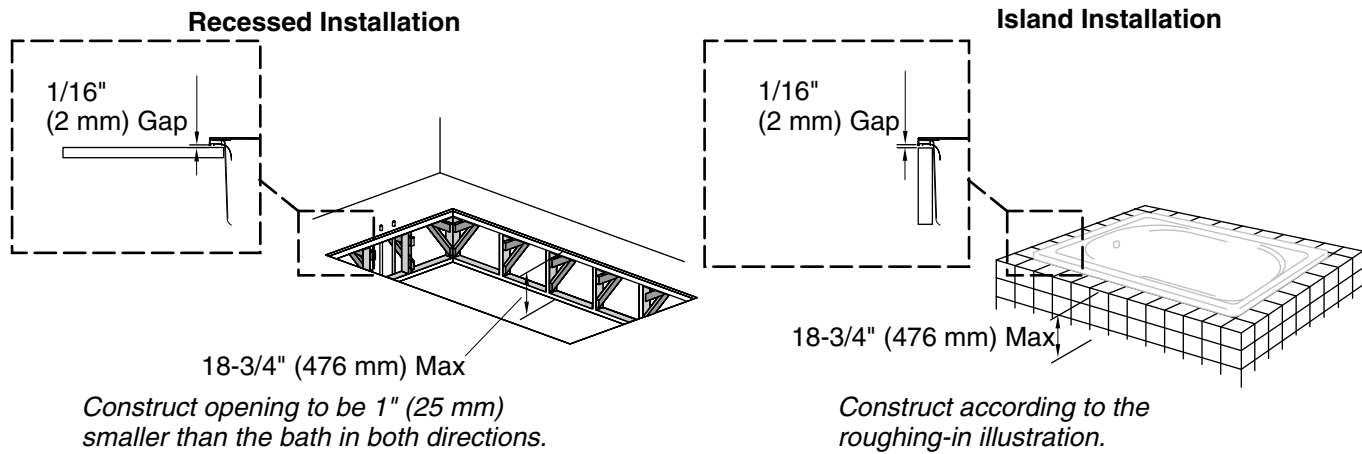
- Dry fit the whirlpool.
- Verify that the whirlpool is level and well supported by the subfloor.
- If the whirlpool is not level, level using mortar cement following the "Install a Mortar Cement Bed" steps, or shim with metal, hardwood, or other durable material. Reposition and shim the whirlpool until it is aligned with the framing and level.
- Mark the height of the whirlpool flange on each walled side.
- Remove the whirlpool.
- Measure and mark 1-9/16" (40 mm) down from the first mark.
- Cut two ledger strips from 1x4 material to the length specified in dimension "G." Cut a third ledger strip to fit the remaining width of the stud pocket.
- Install the ledger strips.
- Dry fit the whirlpool and make sure the rim of the whirlpool does not support its weight. Lower the ledger strips slightly if the weight of the whirlpool rests on the ledger strips.
- Remove the whirlpool.
- Install the drain and overflow assembly to the whirlpool according to the drain manufacturer's instructions.



5. Install the Optional Apron

Series 7626, 7627, and 7628 Only

- Place a protective barrier on the floor so the whirlpool will not be scratched.
- Turn the whirlpool over.
- Determine the correct side for the apron installation.
- Position the apron, and align the three bath tabs and clips with the underside of the whirlpool rim.
- Press the bath clips onto the bath rim fittings. If necessary, gently tap the apron into place using a rubber mallet.
- Install the apron braces to the apron brace tabs.
- Install the access panels onto the apron frame.



6. Prepare the Site - Recessed and Island Installations

NOTICE: Do not support the whirlpool by the rim.

Recessed Installation

NOTE: A recessed installation requires a cutout in the floor with decking on all four sides. A framework and subfloor must be added below the deck. The deck positions the whirlpool while the framework and subfloor support the whirlpool.

- Carefully lay out and cut the rough deck material. Use the cut-out template, if one is provided, or refer to the applicable diagram in the "Roughing-In" section.
- Allow clearance to install the drain assembly and the water supply piping.
- Construct an 18" (457 mm) x 15" (381 mm) access panel at the pump end of the fixture.

NOTE: The subfloor must be no lower than 18-3/4" (476 mm) below the rough deck. The subfloor installation should allow 1/16" (2 mm) clearance for sealant between the rough deck and the lower rim of the empty whirlpool.

- Construct 2x4 or 2x6 framework and a level subfloor.

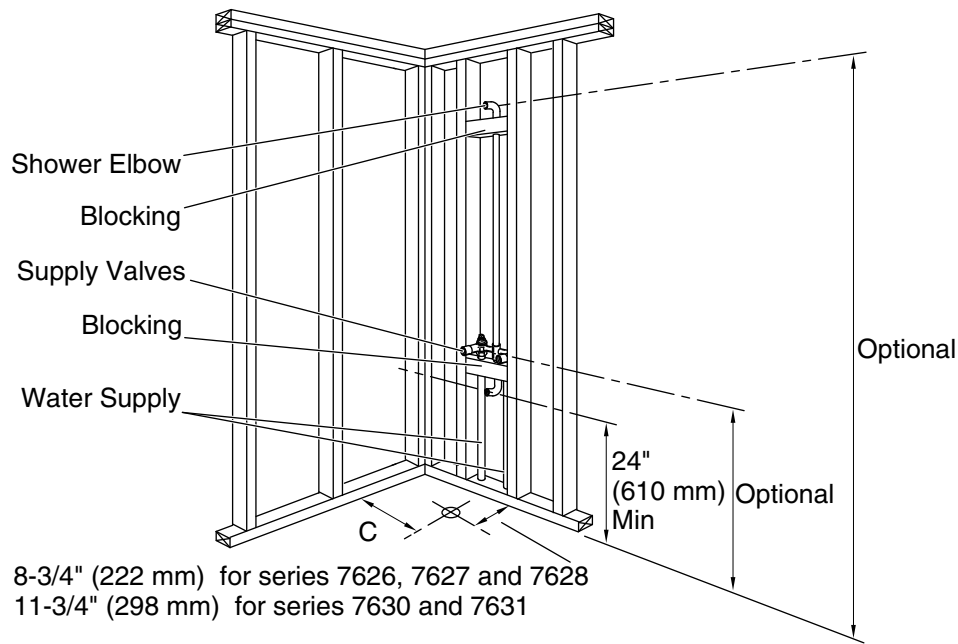
Island Installation

NOTE: An island installation requires a built-up, four-sided surround typically made of brick or concrete. The floor that the built-up surround rests on supports the whirlpool. The surround only positions the whirlpool.

- Carefully lay out the masonry work. Consider whether the finished tile will be flush with the whirlpool or installed under the rim.
- Make sure that the subfloor is flat and level.
- Allow clearance to install the drain assembly and the water supply piping.
- Construct an 18" (457 mm) x 15" (381 mm) access panel at the pump end of the fixture.

NOTE: The subfloor must be no lower than 18-3/4" (476 mm) below the masonry island. The subfloor installation should allow 1/16" (2 mm) clearance for sealant between the island and the lower rim of the empty whirlpool.

- Construct the island of brick or concrete.
- Add tile or other finishing material, leaving a 1/16" (2 mm) clearance for sealant between the island and the rim of the whirlpool.



7. Install the Rough Plumbing

	C
7626	16" (406 mm)
7627	18" (457 mm)
7628	21" (533 mm)
7630	18" (457 mm)
7631	21" (533 mm)

NOTE: Provide access to all plumbing connections to simplify further maintenance.

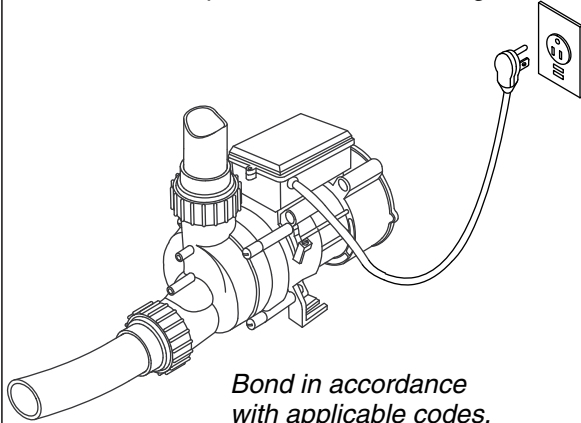
NOTE: The drain line should be located before the unit is installed. The overflow and drain must be installed according to the manufacturer's instructions. Locate the drain line and trap using the dimensions given in the "Roughing-In" section of this guide.

- Locate the rough plumbing for the drain according to the roughing-in dimensions.

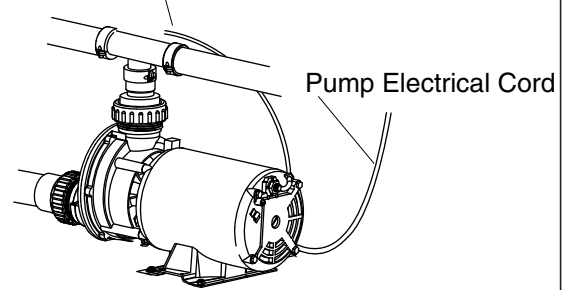
NOTE: If plumbing will be installed on the unfinished stud wall, install the supplies **after** the whirlpool is installed.

- Position the plumbing according to the roughing-in information. Cap the supplies and check for leaks.
- **For above-the-floor drain installations:** Cut the hole in the floor for the drain line. **For through-the-floor drain installations:** Cut the hole in the floor for the drain assembly. The drain connection should be made directly under the overflow drain. Leave room to connect the piping.
- Install the water supplies according to the faucet manufacturer's instructions. Cap the supplies and check for leaks.
- Strap the water supply connections to the stud framing.
- Provide an access panel at the back of the plumbing wall for servicing the supply and waste piping, if possible.
- Install the shower valving according to the manufacturer's instructions. Do not install the trim at this time.

Install a GFCI-protected 120 V, 15 A grounded outlet.



Make sure air actuator tubing is securely attached to the pump.



Bond in accordance with applicable codes.

NOTE: Pump model illustrated may differ from your actual product.

8. Install the Electrical Outlet

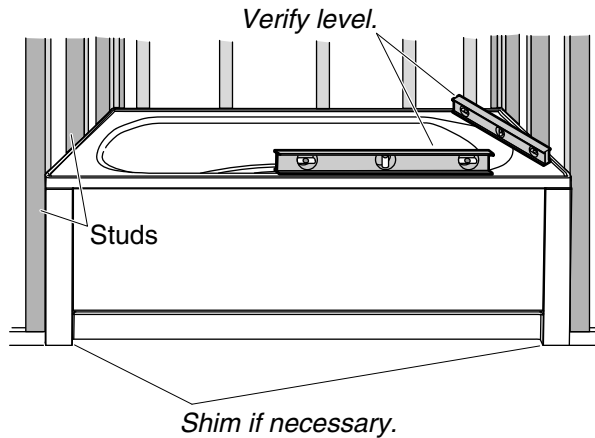


CAUTION: Risk of personal injury. Do not turn on the power until instructed to do so.

NOTE: The whirlpool is equipped with a cord and plug. All pump and control wiring has been completed at the factory.

NOTE: Refer to the label near the pump. This label identifies the electrical rating and model number of the whirlpool.

- Install a GFCI-protected, 120 V, 15 A grounded outlet behind the whirlpool and within 24" (610 mm) of the pump location. No other load should be on this circuit.
- If the whirlpool is equipped with a heater (not shown), install a second GFCI-protected, 120 V, 15 A grounded outlet behind the whirlpool and within 24" (610 mm) of the pump location. No other load should be on this circuit.
- Install a bonding (grounding) conductor at the future location of the pump in accordance with any applicable local codes.



9. Position the Whirlpool - Alcove Installations

Alcove Installations

CAUTION: Risk of product damage. Do not lift or move the whirlpool by the apron or apron braces. Verify that the apron braces are attached before installing the whirlpool, then lift the whirlpool by the rim at multiple points.

NOTE: 6' (1.8 m) bath models require construction of an apron for alcove installations.

- Install the drain and overflow assembly to the whirlpool according to the drain manufacturer's instructions. Do not connect the trap at this time.

NOTICE: Verify that the apron braces are attached before installing the whirlpool.

- If a mortar cement bed will not be used, position the felt pad under the whirlpool supports.
- Position and adjust the whirlpool until its outside edge is flush with the framing.
- Verify that the whirlpool is level and well supported by the subfloor. If whirlpool is not level, shim the whirlpool using metal, hardwood, or other durable material.

NOTE: The maximum distance between shimmed feet is 22" (559 mm).

- Reposition and shim the whirlpool until it is aligned with the finished wall and is level.
- Position the supplied liner in the whirlpool to protect the finish. If the protective liner is not available, add a drop cloth or other protective liner.

Install a Mortar Cement Bed (Optional)

NOTE: If a mortar cement bed will be installed, the pad is not required.

- Remove the whirlpool and pad from the alcove.

NOTE: Do not use plaster, gypsum cement, or drywall compound for this application, as they will not provide adequate structural support.

NOTE: The whirlpool supports must rest directly on the subfloor.

- Build a dam to keep the flooring material clear of the drain area.
- Spread a 2" (51 mm) layer of mortar cement on the subfloor, spreading it so that each area of the whirlpool that will contact the subfloor has mortar cement. Do not spread the mortar cement around the drain area. Allow room for the mortar cement to expand from the weight of the whirlpool.
- Immediately move the whirlpool into position.

Position the Whirlpool - Alcove Installations (cont.)

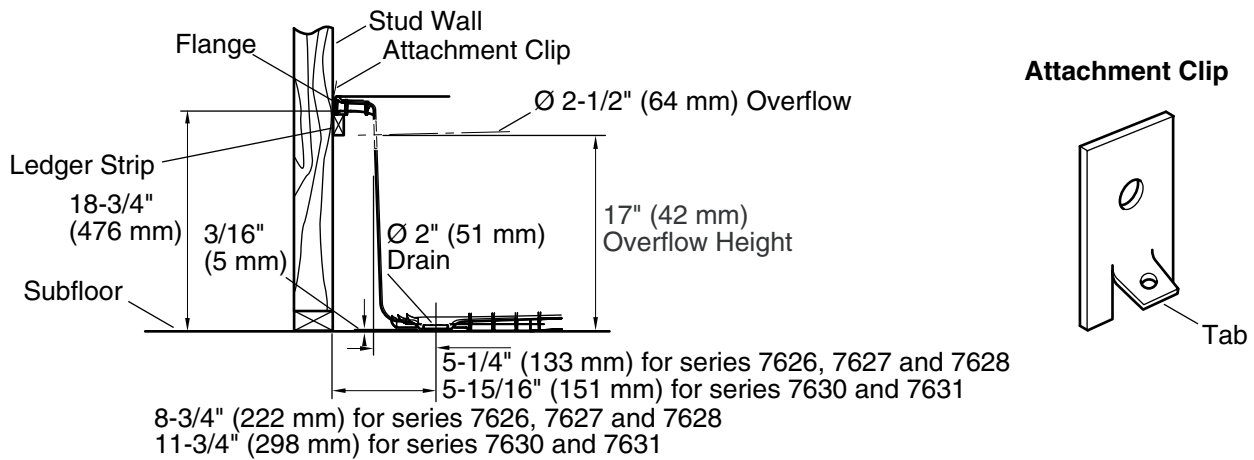
- Verify that the whirlpool is level and resting on all supports.
- Clean the whirlpool to reduce the risk of damaging the surface.

10. Position the Whirlpool - Drop-In/Island Installations

- Install the drain and overflow assembly to the whirlpool according to the drain manufacturer's instructions. Do not connect the trap at this time.
- Position the whirlpool in the recess.
- Verify that the whirlpool is level and well supported by the floor.
- If the whirlpool is not level or well supported, remove the whirlpool and place shims under the whirlpool feet. Use metal, hardwood, or other durable material for the shims.

NOTE: The maximum distance between shimmed feet is 22" (559 mm).

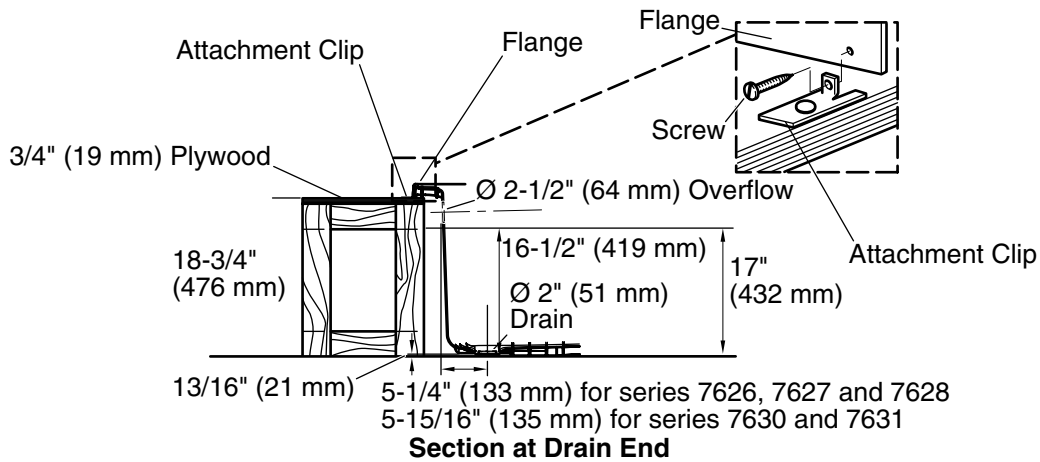
- Position the whirlpool in the recess and retest for level. Repeat until the whirlpool is level.
- Make sure there is a 1/16" (2 mm) gap between the deck and whirlpool rim.



11. Secure the Whirlpool - Alcove Installations

NOTE: The whirlpool should be secured using the metal attachment clips (provided).

- Refer to the "Roughing-In" section for recommended clip locations.
- Verify the studs are within 1/8" (3 mm) of the whirlpool at the recommended clip locations. Shim if necessary.
- Slide the bottom of each clip into the space between the whirlpool flange and stud until the tab touches the whirlpool.
- Secure the attachment clips with galvanized or plated flathead screws.



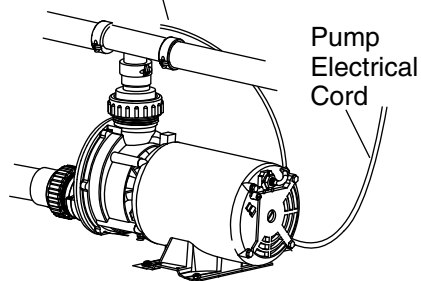
12. Place the Whirlpool Bath on the Subfloor

- Make sure there is a drop cloth or other protective liner in the whirlpool.
- Verify that the studs are within 1/8" (3 mm) of the whirlpool at the recommended support clip locations. Shim if necessary.
- Position the bottom lip of the attachment clip under the edge of the whirlpool and place the tab against the bath flange.
- Drill pilot holes through the flange at the attachment clip locations to protect the flange from cracking when the fasteners are installed.
- Slide the attachment clip into place between the center of the stud and the whirlpool.

NOTE: If galvanized roofing nails will be used, use caution when hammering to avoid striking the whirlpool.

- Secure the attachment clips with galvanized or plated non-tapered flathead screws.

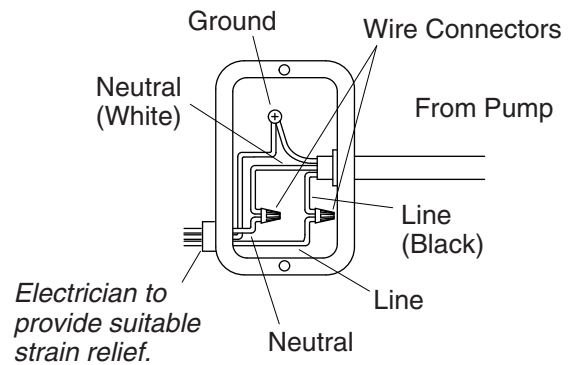
Make sure air actuator tubing is securely attached to the pump.



Bond in accordance with applicable codes.

NOTE: Pump model illustrated may differ from your actual product.

Junction box should be wired as shown.



13. Make Electrical Connections - Dedicated Circuit Models



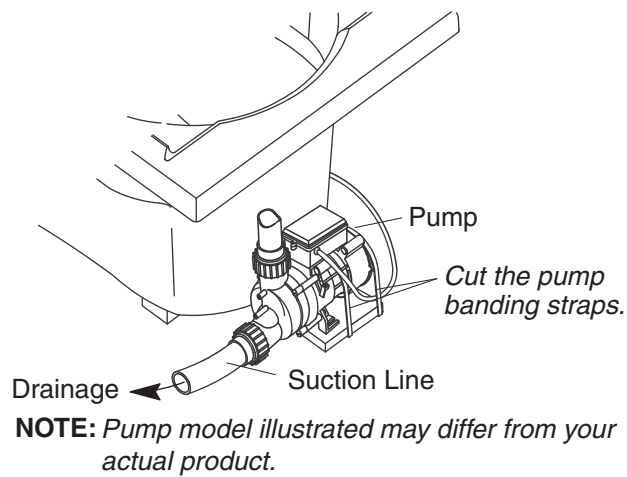
WARNING: Risk of electrical shock. To reduce the risk of electrical shock, connect the pump to a properly grounded Ground-Fault Circuit-Interrupter (GFCI). This will provide additional protection against line-to-ground shock hazard. A 120 V, 15 A dedicated circuit is required.



WARNING: Risk of electrical shock. Make sure the power has been disconnected before performing the following procedures.

NOTE: Heater is optional. Some models will not have the heater.

- Locate and secure the supplied junction box a minimum of 1-1/2" (38 mm) above the subfloor.
- The whirlpool controls and system have been prewired at the factory. A qualified electrician should make a routine service connection to the junction box.
- Connect service to the junction box. The 60 Hz model junction box contains black and white wires and a ground lug.
- A 120 V, 15 A dedicated circuit is required. Provide a Class A Ground-Fault Circuit-Interrupter (GFCI).
- Provide a separate equipment grounding conductor for the inside ground or ground lug. The conductor **must not** be connected to any current-carrying conductor.
- Bond in accordance with national and local codes.
- Repeat the procedures for the heater. All wiring of the heater has been completed at the factory.



14. Cut the Pump Banding Straps

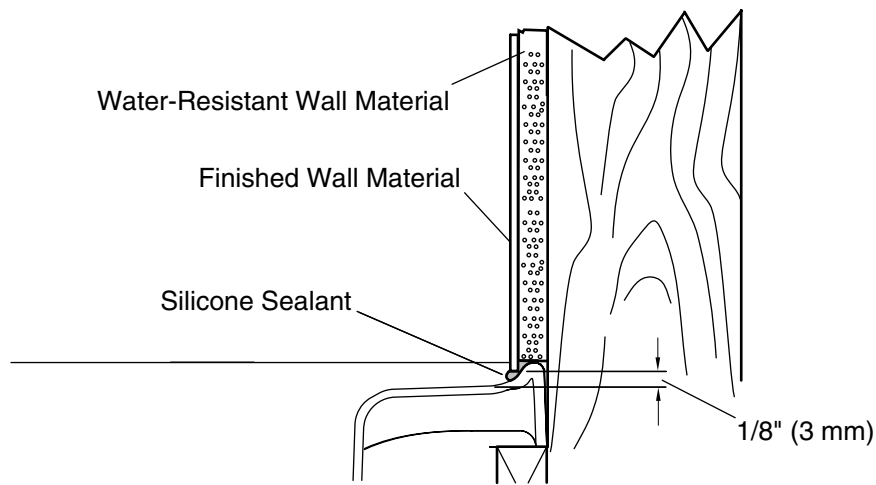
IMPORTANT! This step is necessary to make your whirlpool operate more quietly.

IMPORTANT! Do not raise the pump higher than it was before you cut the pump banding straps. If the pump is raised too high, it will not prime properly.

- Cut the two pump banding straps from the whirlpool pump with a pair of tin snips.
- Make sure the pump is not in direct contact with the whirlpool harness.

15. Install the Drain

- Connect the drain to the trap according to the manufacturer's instructions.
- Check the drain connections for leaks.



16. Complete the Finished Wall - Alcove Installations

Alcove Installations

- Brush all dust and debris from the whirlpool flange.
- To ensure the finished wall material will be plumb, attach furring strips above the whirlpool flange and against the studs, as shown.
- Install the finished wall material over the water-resistant wall material. Maintain a 1/8" (3 mm) gap between the finished wall material and the whirlpool surface.
- Seal the 1/8" (3 mm) gap between the whirlpool surface and finished wall with 100% silicone sealant. Allow the sealant to cure according to the sealant manufacturer's instructions.

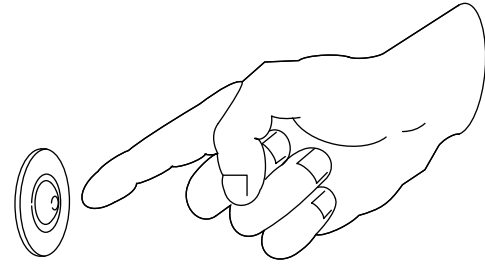
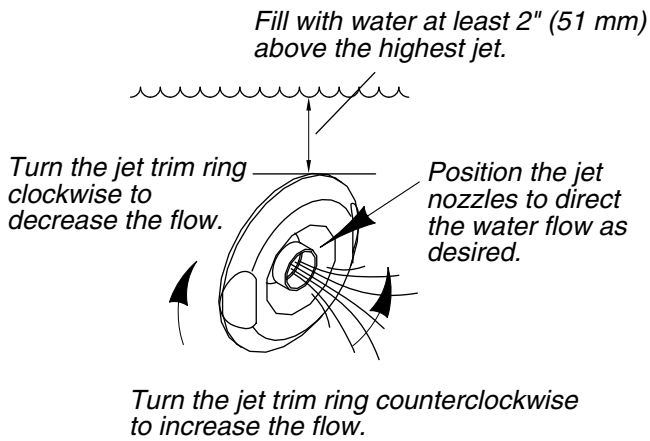
17. Complete the Finished Wall - Drop-in and Island Installations

For Drop-In/Island Installations (not shown)

- Cover the framing with water-resistant wall/deck material. Apply the wall material over the whirlpool flange, leaving a 1/16" (2 mm) gap between the whirlpool rim edge and the wall material.
- Seal the joints between the whirlpool rim edge and the finished deck material with 100% silicone sealant.
- Apply tape and mud to the water-resistant wall/deck material. Install the finished wall over the water-resistant wall/deck material. Seal the joints between the whirlpool rim edge and the finished wall material with 100% silicone sealant.

For Island Installations

- If you have not already done so, carefully remove the protective tape from the whirlpool rim.
- Install the finished wall material to any wall, deck, and surround material as needed.
- Apply a continuous bead of 100% silicone sealant where the finished wall material meets the whirlpool surface.



Press the air switch to turn the whirlpool on or off.

18. Confirm Proper Operation

Installation Checkout

- Verify all electrical connections.
- Verify that the pump banding straps have been cut.

Fill the Whirlpool

- Fill the whirlpool to at least 2" (51 mm) above the top of the highest jet.

Operating Sequence

- Press the air switch to turn on the whirlpool jets.
- Verify that the pump starts and operates without excessive noise or vibration.
- Verify that water is circulating and flowing from each jet.
- Adjust each jet for optimum flow. Turn the trim ring clockwise to decrease the flow, and counterclockwise to increase the flow.
- Press the air switch a second time to turn off the whirlpool.
- Drain the whirlpool.

Guide d'installation

Baignoire à hydromassage

INSTRUCTIONS D'INSTALLATION



AVERTISSEMENT: Lors de l'utilisation de produits électriques, toujours observer les précautions de base, notamment:



DANGER: Risque d'électrocution. Raccorder uniquement à un circuit protégé par un disjoncteur de fuite de terre (GFCI)*.

Les matériaux de construction et le câblage doivent être acheminés loin du corps de la pompe et des autres composants de l'appareil qui dégagent de la chaleur.

Installer de façon à permettre l'accès pour l'entretien.

Un connecteur à pression pour câbles marqué "Earth/Ground" (Terre/Masse) est fourni dans le compartiment de câblage. Afin de réduire les risques de choc électrique, raccorder ce connecteur à une borne de terre du panneau de service électrique ou du panneau d'alimentation avec un câble en cuivre ayant la même dimension que le conducteur du circuit qui alimente cet équipement.

Des connecteurs à pression par câble sont fournis sur l'extérieur de la boîte de jonction, de la pompe ou de la commande incluses dans cet appareil afin de permettre la connexion d'un conducteur de mise à la terre entre cet appareil et toutes les autres surfaces de métal avoisinantes, tel que requis par les normes locales.

Une mise à la terre est requise. L'appareil doit être installé par un représentant qualifié et doit être mis à la terre.



AVERTISSEMENT: Risque de blessures ou d'endommagement du matériel. Toutes les instructions doivent être lues avec la plus grande attention avant de commencer l'installation, et toutes les conditions suivantes doivent être respectées.



AVERTISSEMENT: Risque d'électrocution. Un électricien qualifié doit effectuer toutes les connexions électriques.



AVERTISSEMENT: Risque d'électrocution. Déconnecter l'alimentation électrique avant d'effectuer un entretien ou une réparation.

AVIS: Respecter tous les codes de plomberie et électriques locaux. Installer cet appareil conformément au Code canadien de l'électricité, Partie 1.

*Hors de l'Amérique du Nord, ce dispositif peut être connu sous le nom de dispositif à courant résiduel (RCD).

Information sur le produit

Installations électriques requises

REMARQUE: Si le cordon d'alimentation est endommagé, il doit être remplacé par le fabricant, son représentant technique ou un personnel ayant les mêmes qualifications, afin d'éviter tout danger.

- L'installation doit inclure un disjoncteur de fuite de terre (GFCI) de classe A. Le disjoncteur GFCI protège contre les risques d'électrocution fil sous tension-terre. Utiliser une alimentation de 120 V, 15 A, 60 Hz dédiée à la baignoire à hydromassage.

Notices du produit

INSTRUCTIONS D'INSTALLATION (cont.)



AVERTISSEMENT: Des modifications non autorisées de la pompe ou du souffleur pourraient provoquer un fonctionnement dangereux et une mauvaise performance du produit. Ne pas déplacer la pompe ou le souffleur, et ne pas effectuer d'autres modifications sur le système, étant donné que cela pourrait affecter les performances et le fonctionnement sans danger du produit. Sterling n'assume aucune responsabilité sous sa garantie ou autre pour des blessures ou endommagements causés par de telles modifications non autorisées.

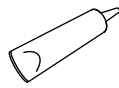
Pièces assemblées en usine

- Les composants installés en usine comprennent une pompe avec cordon d'alimentation, un émetteur de commutateur de débit d'air, et des jets d'hydromassage avec raccord d'aspiration.

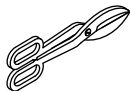
Connexions et accès pour l'entretien

- Avant d'effectuer l'installation, s'assurer d'avoir un accès suffisant aux connexions finales.

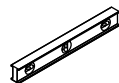
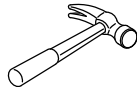
Outils et matériaux



Mastic à la silicone claire à 100%



Cisailles de Ferblantier



Plus:

- Outils conventionnels de menuiserie et matériels
- Bâche de protection
- Mortier (optionnel)
- 1 x 4 et 2 x 4 ou 2 x 6
- Scie cylindrique
- Plaqués ou vis à tête plate non coniques galvanisés
- Tasseaux

Avant de commencer



ATTENTION: Risque de blessures. Ne pas choisir un robinet à montage sur rebord ni de robinet à montage sur comptoir de grande taille pour ce produit. Ces robinets pourraient être utilisés par inadvertance comme moyen de support et ils ne sont ni appropriés ni sécuritaires pour cette installation. Choisir un robinet à montage mural ou un autre robinet à montage sur comptoir.

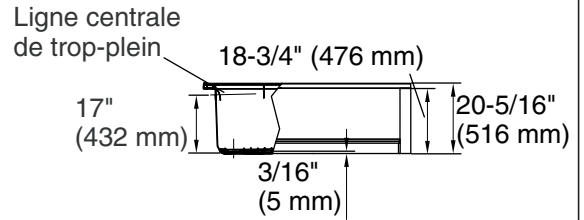
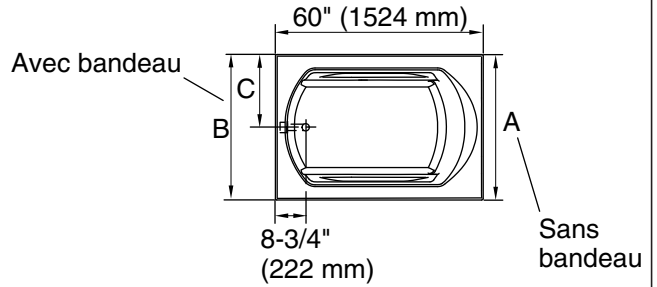
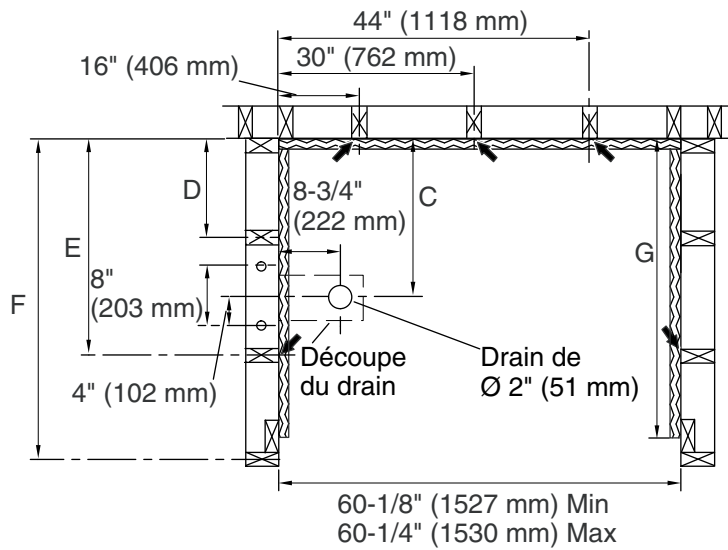
ATTENTION: Risque d'endommagement du produit. Soulever la baignoire à hydromassage par le rebord au niveau de plusieurs points.

ATTENTION: Risque d'endommagement du produit. Pour éviter les marques de rouille sur le produit, s'assurer que les clous de toiture ou les vis à tête plate non coniques sont galvanisés ou plaqués. Lors de l'utilisation de vis à tête plate non coniques galvanisées ou plaquées, **ne pas serrer les vis excessivement**. Un serrage excessif peut endommager la bride murale. Consulter les codes du bâtiment locaux pour déterminer si les vis ou clous doivent être galvanisés ou plaqués.

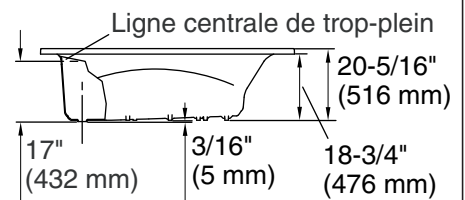
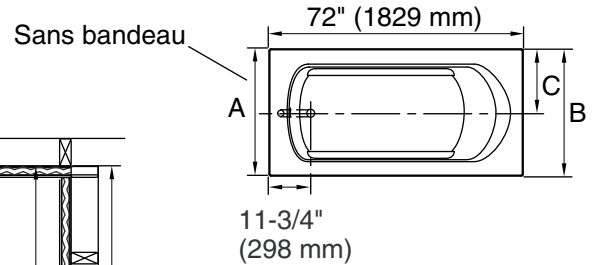
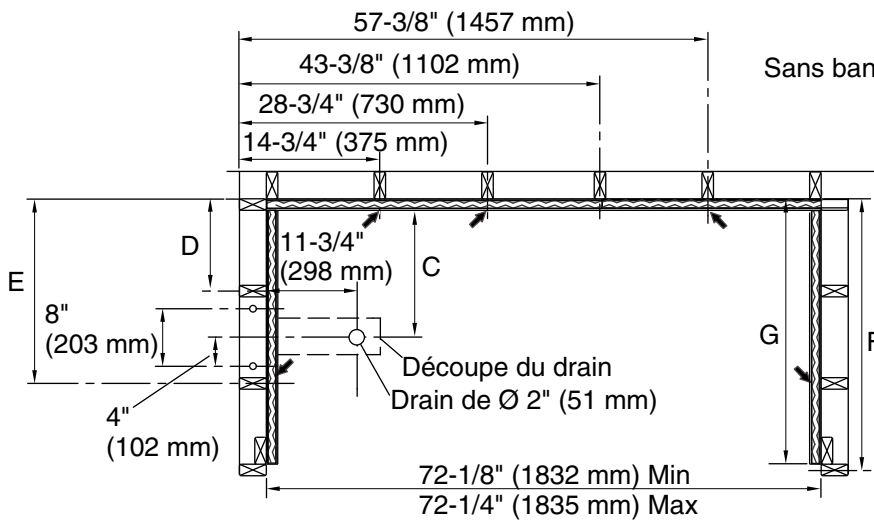
AVIS: Risque d'endommagement du produit. Ne pas installer la baignoire à hydromassage sur des solives de plancher exposées. Si le sous-plancher est à niveau et perpendiculaire avec l'ossature, l'espace de la cuve de la baignoire ne nécessite pas de support supplémentaire. Installer la baignoire à hydromassage sur un sous-plancher nivelé et avec support adéquat. Utiliser des cales pour un support supplémentaire si le sous-plancher n'est pas nivelé.

Avant de commencer (cont.)


- Respecter tous les codes locaux applicables, en ce qui concerne l'électricité, la plomberie et le bâtiment.
- Cette baignoire à hydromassage est conçue pour une installation à encastrer par le dessus. Les installations en alcôve exigent des lambourdes.
- Un bandeau optionnel est disponible pour les modèles d'une longueur de 60" (1524 mm) (séries 7626, 7627 et 7628).
- Au moment de la réception, rechercher des articles manquants ou des dommages. Reporter immédiatement les pièces manquantes ou les dommages.
- Ne pas retirer l'ancien appareil avant d'avoir déballé et examiné le nouveau.
- Entreposer la baignoire à hydromassage dans un endroit protégé jusqu'au moment de l'installation afin d'éviter tout endommagement.
- Dans le cas d'une rénovation, mesurer l'ossature existante avant de retirer l'ancienne baignoire à hydromassage afin de s'assurer que la nouvelle baignoire à hydromassage peut être adaptée. S'assurer que le drain se trouve à l'emplacement adéquat.
- Confirmer qu'il y a un espace adéquat pour le montage et la connexion pour l'alimentation en eau et l'installation du drain.
- Si la baignoire à hydromassage a été expédiée avec un revêtement, maintenir celui-ci en place jusqu'à ce que la construction soit terminée. S'il n'y a pas de revêtement, placer une toile de protection ou un matériau similaire dans le fond de la baignoire à hydromassage.
- En cas de problèmes d'installation ou de performance, ne pas hésiter à appeler Sterling au 1-888-STERLING aux É.-U. ou au 001-877-680-1310 au Mexique.




7626, 7627, 7628



7630, 7631

 Lambourde de plancher

 Emplacement recommandé pour le clip de support ou clou pour toiture (5 total)

Plan de raccordement

	A	B	C	D	E	F	G
7626	32" (813 mm)	32-1/4" (819 mm)	16" (406 mm)	10" (254 mm)	22" (559 mm)	31-1/4" (794 mm)	30-1/4" (768 mm)

**Plan de
raccordement
(cont.)**

7627	36" (914 mm)	36-1/4" (921 mm)	18" (457 mm)	12" (305 mm)	24" (610 mm)	35-1/4" (895 mm)	34-1/4" (870 mm)
7628	42" (1067 mm)	42-1/4" (1073 mm)	21" (533 mm)	15" (381 mm)	27" (686 mm)	41-1/4" (1048 mm)	40-1/4" (1022 mm)
7630	36" (914 mm)	N/D	18" (457 mm)	12" (305 mm)	24" (610 mm)	35-1/4" (895 mm)	34-1/4" (870 mm)
7631	42" (1067 mm)	N/D	21" (533 mm)	15" (381 mm)	27" (686 mm)	41-1/4" (1048 mm)	40-1/4" (1022 mm)

IMPORTANT! Toutes les dimensions sont nominales. La tolérance d'ouverture des montants est de +1/8" (3 mm)/-0. Mesurer avec précision l'appareil sanitaire avant de déterminer la taille de l'encadrement. L'installation de cales entre l'ossature et le dispositif pourrait être nécessaire. Si un pare-feu est requis, les dimensions de raccordement doivent être augmentées en fonction de l'épaisseur du matériau du pare-feu. Les dimensions d'ouverture des montants doivent être mesurées vers le côté exposé du matériau du mur. Les dimensions fournies dans le plan de raccordement sont de première importance pour une bonne installation. Construire la charpente et installer la plomberie avec précision.

En cas d'installation de cette baignoire à hydromassage avec une porte de douche, consulter les instructions du fabricant de la porte de douche pour toutes spécifications particulières sur la charpente.

1. Construction de la nouvelle charpente

REMARQUE: Se référer à la section "Plan de raccordement" pour les dimensions.

IMPORTANT! La baignoire à hydromassage doit être supportée par un sous-plancher. Ne pas installer directement sur des solives de plancher ouvertes.

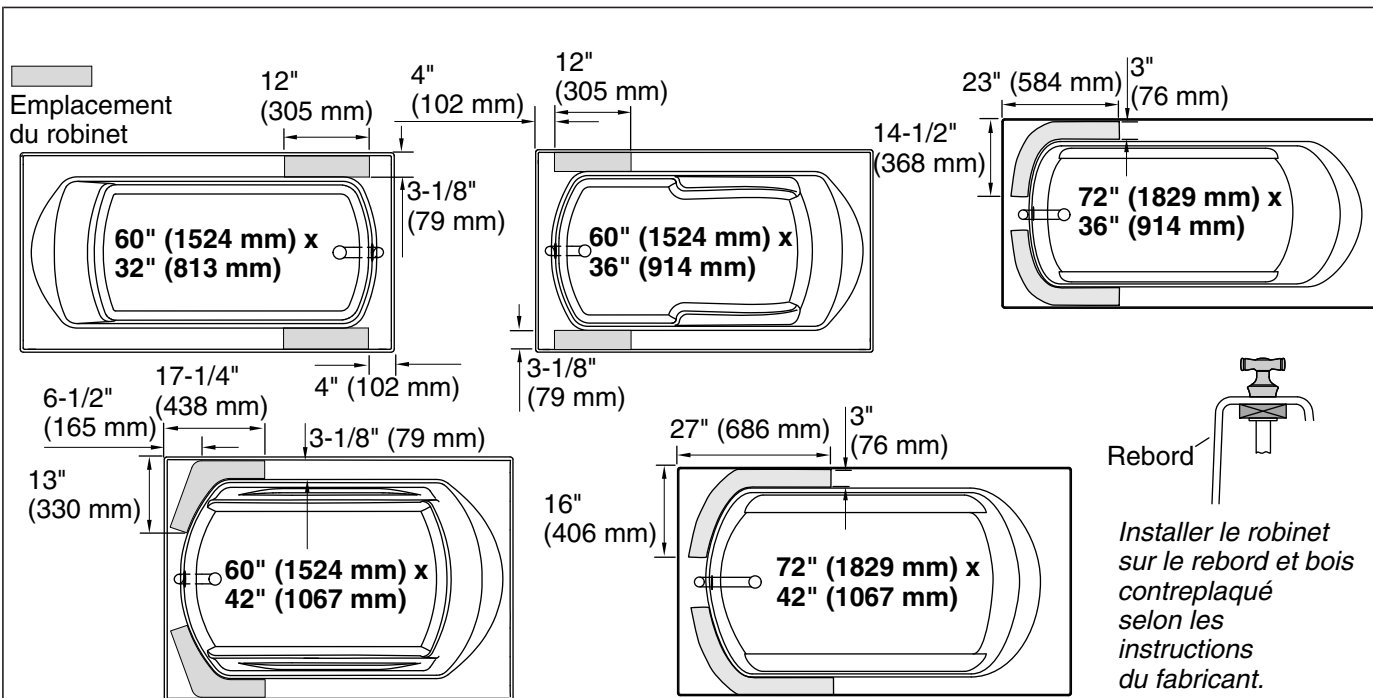
Conditions requises pour la charpente

- Un sous-plancher doit être installé. La baignoire à hydromassage doit être positionnée de manière à permettre un dégagement pour le drainage à travers les dalles ou solives de plancher afin de faciliter l'installation de la plomberie.

IMPORTANT! Les accessoires qui nécessitent un renfort ou un support ne sont pas recommandés pour cette installation.

- Si cet appareil est installé avec une porte de douche, consulter les instructions du fabricant de la porte de douche pour toutes spécifications particulières sur la charpente. Il pourrait être approprié de rajouter des montants pour supporter la porte pivot de la douche.

IMPORTANT! Construire le sol en contreplaqué. Si la baignoire à hydromassage est installée sur du matériau autre que du contreplaqué, une friction pourrait causer un grincement au fil du temps.



2. Installer la plomberie de raccordement



ATTENTION: Risque de blessures. Ne pas choisir un robinet à montage sur rebord ni de robinet à montage sur comptoir de grande taille pour ce produit. Ces robinets pourraient être utilisés par inadvertance comme moyen de support et ils ne sont ni appropriés ni sécuritaires pour cette installation. Choisir un robinet à montage mural ou autre robinet à montage sur comptoir.

REMARQUE: Prévoir un accès à toutes les connexions de la plomberie pour faciliter tout entretien futur. Inclure un accès à l'arrière du mur de plomberie là où c'est possible.

REMARQUE: Ne pas installer la garniture pour l'instant.

- Avant d'installer un robinet à montage sur rebord ou sur comptoir, mesurer et couper un morceau de contre-plaqué de qualité pour l'extérieur de 3/4" qui servira de support sous le rebord de la baignoire. Couper un morceau de contre-plaqué assez large pour supporter les composants du robinet et qui s'étend au-delà de la zone où le robinet sera installé.
- Installer les conduits d'alimentation en eau à l'un des emplacements spécifiés pour le robinet. Se référer aux instructions du fabricant du robinet pour une bonne installation.
- Attacher les tuyaux d'alimentation sur la charpente.
- Installer les valves conformément aux instructions du fabricant du robinet.

3. Préparer le site

IMPORTANT! Les supports de la baignoire à hydromassage doivent reposer directement sur un sous-plancher nivelé.

IMPORTANT! Un bruit de couinement peut se développer entre la baignoire et le sous-plancher. Si la baignoire est accompagnée d'un tapis, placer celui-ci entre la baignoire et le sous-plancher. Si la baignoire n'a pas été expédiée avec un tapis, nous recommandons d'installer celle-ci dans un lit de mortier. Voir la section "Installer un lit de mortier". Ne pas utiliser du feutre-toiture ou de matériaux en polyester.

IMPORTANT! La conduite du drain doit être installée conformément aux instructions du fabricant du drain. Placer la conduite du drain et le siphon en utilisant les dimensions données dans la section "Plan de raccordement" de ce guide.

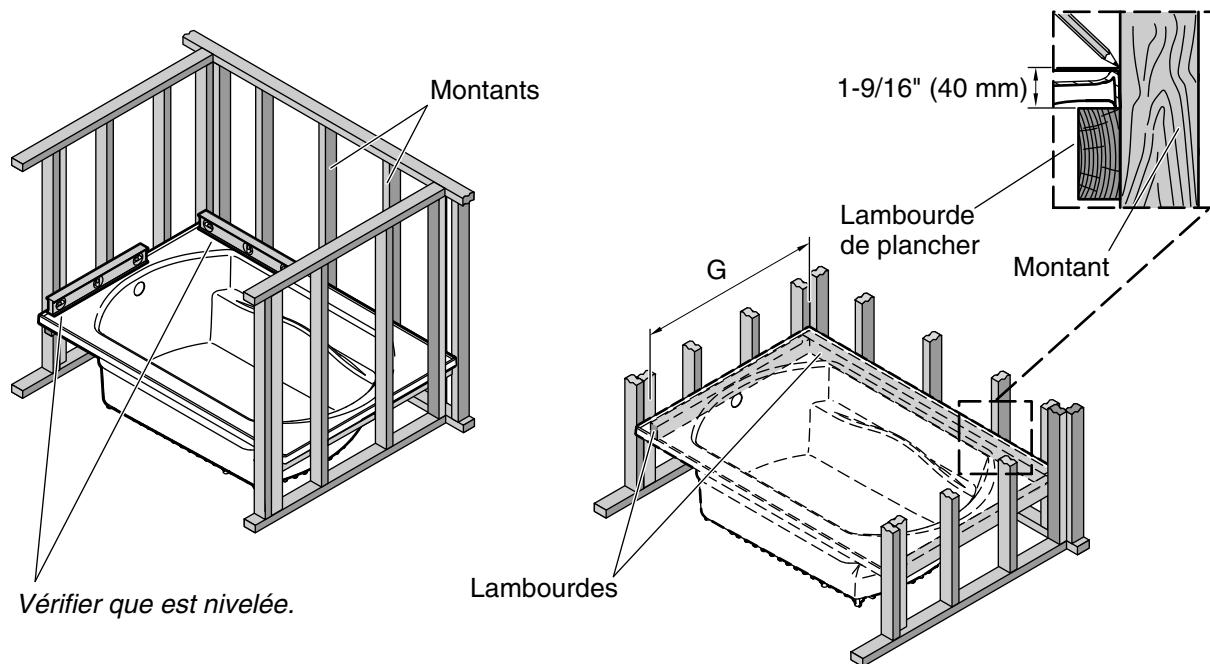
Préparer le site (cont.)

- Pour les installations de drain au-dessus du sol, découper le trou dans le plancher pour la conduite du drain.
- Pour les installations de drain à travers le plancher, découper le trou dans le plancher pour le drain. La connexion du drain doit être effectuée directement sous le drain du trop-plein. Laisser de l'espace pour connecter la tuyauterie.
- Vérifier que le sous-plancher est nivelé.

Installer un lit de mortier (optionnel)

REMARQUE: Les supports de la baignoire à hydromassage doivent s'appuyer directement sur le sous-plancher.

- Construire une digue pour garder le matériau du plancher à l'écart de l'emplacement du drain.
- Étaler une couche de mortier de 2" (51 mm) sur le sous-plancher, en l'étalant de manière à ce que chaque surface de la baignoire à hydromassage qui entre en contact avec le sous-plancher soit couverte de mortier. Ne pas étaler le mortier autour de la zone du drain. Laisser de l'espace pour permettre une expansion du mortier en raison du poids de la baignoire à hydromassage.
- Mettre immédiatement la baignoire à hydromassage en position.
- Vérifier que la baignoire à hydromassage est nivelée et qu'elle repose sur tous les supports.
- Nettoyer la baignoire à hydromassage pour réduire le risque d'endommagement de la surface.

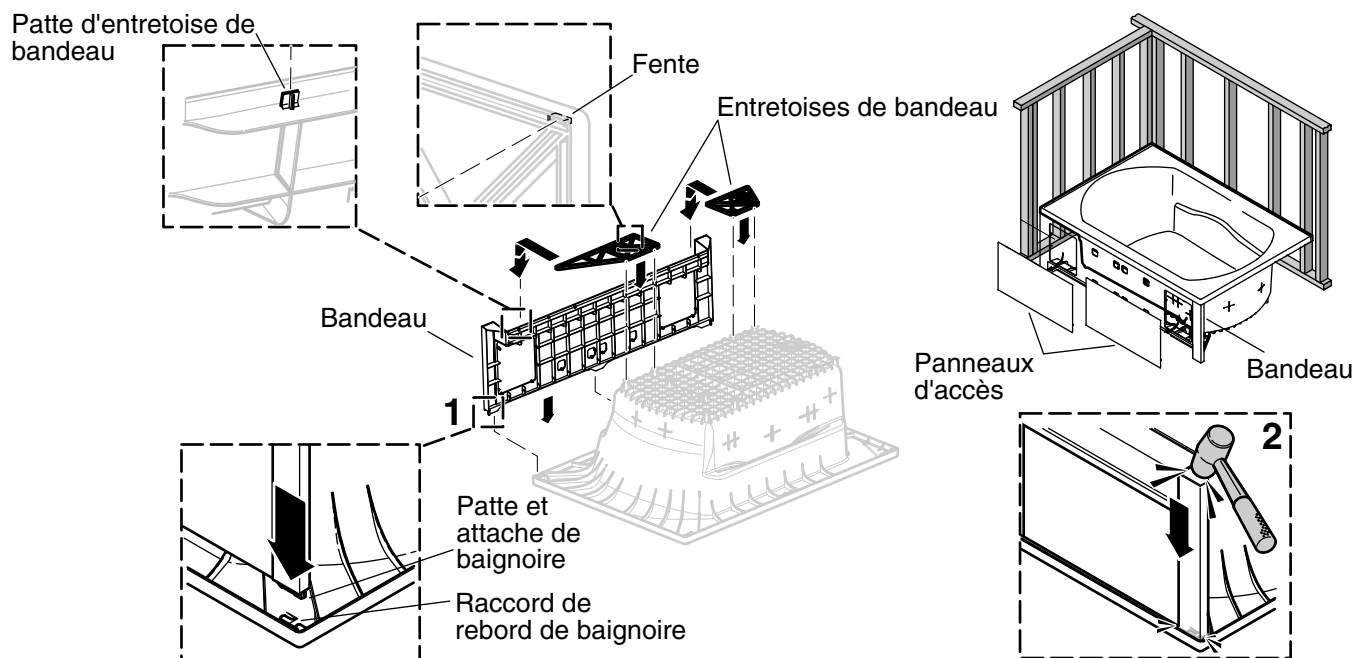


4. Préparer la baignoire à hydromassage - Installations en alcôve

Séries	G
7626	30-1/4" (768 mm)
7627	34-1/4" (870 mm)
7628	40-1/4" (1022 mm)
7630	34-1/4" (870 mm)
7631	40-1/4" (1022 mm)

REMARQUE: Garder une garniture ou une toile de protection en place au fond de la baignoire à hydromassage jusqu'à ce que la construction soit complète.

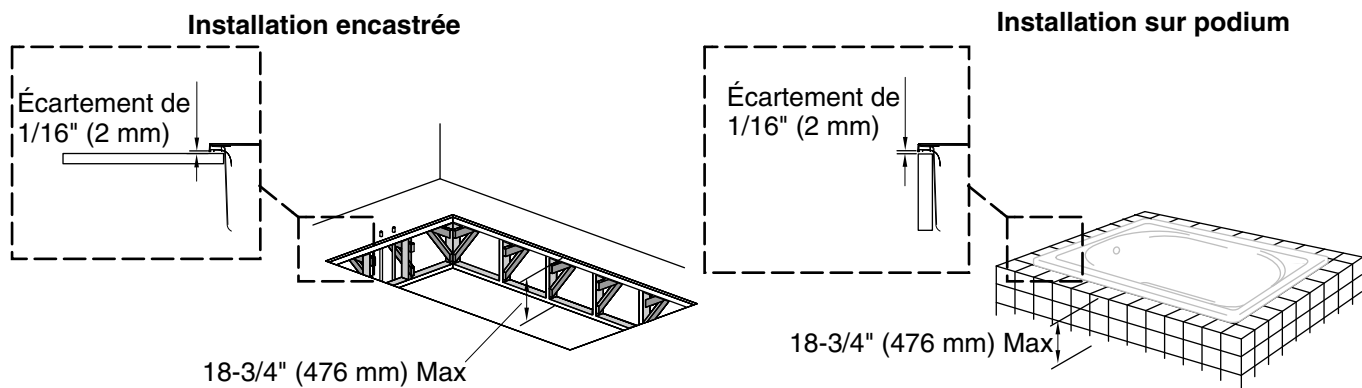
- Adapter la baignoire à hydromassage à sec.
- Vérifier que la baignoire à hydromassage est nivelée et bien supportée par le sous-plancher.
- Si la baignoire à hydromassage n'est pas nivelée, niveler celle-ci en suivant les étapes de la section "Installer un lit de mortier" ci-dessous, ou caler avec du métal, du bois dur ou un autre matériau durable. Repositionner et caler la baignoire à hydromassage jusqu'à ce qu'elle soit alignée et nivelée avec la charpente.
- Marquer la hauteur de la bride de la baignoire à hydromassage sur chaque côté à paroi.
- Retirer la baignoire à hydromassage.
- Mesurer et marquer 1-9/16" (40 mm) à partir de la première marque vers le bas.
- Couper deux lambourdes dans le matériau 1x4 à la longueur spécifiée dans la dimension "G". Couper une troisième lambourde pour adapter la largeur restante de l'enveloppe du montant.
- Installer les lambourdes.
- Adapter la baignoire à hydromassage à sec et s'assurer que le rebord de celle-ci ne supporte pas son poids. Baisser légèrement les lambourdes si le poids de la baignoire à hydromassage repose sur celles-ci.
- Retirer la baignoire à hydromassage.
- Installer l'ensemble du drain et du trop plein sur la baignoire à hydromassage selon les instructions du fabricant du drain.



5. Installer le bandeau optionnel

Séries 7626, 7627 et 7628 seulement

- Placer une barrière de protection sur le plancher afin d'éviter de rayer la baignoire à hydromassage.
- Retourner la baignoire à hydromassage.
- Déterminer quel est le côté correct pour l'installation du bandeau.
- Positionner le bandeau et aligner les trois pattes et clips de la baignoire avec le dessous du rebord de la baignoire.
- Appuyer sur les clips de la baignoire pour les enfoncer dans les raccords du rebord de la baignoire. Si nécessaire, utiliser un maillet en caoutchouc pour taper doucement sur le bandeau afin de le mettre en place.
- Installer les entretoises du bandeau sur les pattes des entretoises du bandeau
- Installer les panneaux d'accès sur le cadre du bandeau.



Créer l'ouverture de manière à ce qu'elle soit plus petite de 1" (25 mm) que la baignoire à hydromassage dans les deux directions.

Suivre l'illustration du raccordement pour la construction.

6. Préparer le site - Installations encastrées et sur podium

AVIS: Ne pas supporter la baignoire à hydromassage par le rebord.

Installation encastrée

REMARQUE: Une installation encastrée exige une découpe dans le plancher avec support sur les quatre côtés. Une charpente et un sous-plancher doivent être ajoutés sous le comptoir. Le comptoir positionne la baignoire à hydromassage alors que la charpente et le sous-plancher supportent la baignoire à hydromassage.

- Disposer et découper soigneusement le matériau du comptoir brut. Utiliser le gabarit de découpe, s'il est fourni, ou se référer au diagramme applicable de la section "Plan de raccordement".
- Permettre un espace pour l'installation de l'ensemble du drain et de la tuyauterie d'alimentation en eau.
- Construire un panneau d'accès de 18" (457 mm) x 15" (381 mm) à l'extrémité pompe de l'appareil.

REMARQUE: Le sous-plancher ne doit pas être plus bas que 18-3/4" (476 mm) sous le comptoir brut. L'installation du sous-plancher doit permettre un espace de 1/16" (2 mm) pour le mastic d'étanchéité entre le comptoir brut et le rebord inférieur de la baignoire à hydromassage vide.

- Construire une charpente de 2x4 ou 2x6 ainsi qu'un sous-plancher nivelé.

Installation sur podium

REMARQUE: Une installation sur podium requiert un encadrement à quatre côtés généralement construit en brique ou en béton. Le plancher sur lequel repose l'encadrement construit, supporte la baignoire à hydromassage. L'encadrement positionne seulement la baignoire à hydromassage.

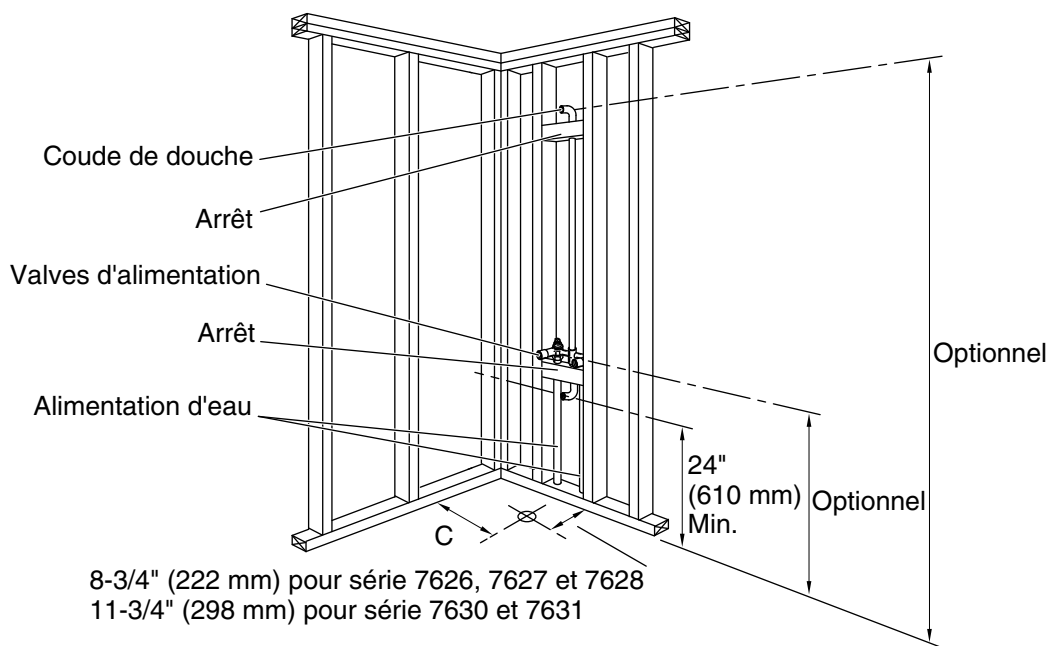
- Étaler avec précaution le travail de maçonnerie. Considérer si le carrelage fini sera à ras de la baignoire à hydromassage ou s'il est installé sous le rebord.
- S'assurer que le sous-plancher est plat et nivelé.
- Laisser un espace pour l'installation de l'ensemble du drain et de la tuyauterie d'alimentation en eau.
- Construire un panneau d'accès de 18" (457 mm) x 15" (381 mm) à l'extrémité pompe de l'appareil.

REMARQUE: Le sous-plancher ne doit pas être plus bas que 18-3/4" (476 mm) sous le podium à maçonnerie. L'installation du sous-plancher doit permettre un espace de 1/16" (2 mm) pour le mastic d'étanchéité entre le podium et le rebord inférieur de la baignoire à hydromassage vide.

- Construire le podium en brique ou en béton.

Préparer le site - Installations encastrées et sur podium (cont.)

- Ajouter du carrelage ou un autre matériau de finition en laissant un espace de 1/16" (2 mm) pour le mastic d'étanchéité entre le podium et le rebord de la baignoire à hydromassage.



7. Installer la plomberie de raccordement

	C
7626	16" (406 mm)
7627	18" (457 mm)
7628	21" (533 mm)
7630	18" (457 mm)
7631	21" (533 mm)

REMARQUE: Prévoir un accès à toutes les connexions de la plomberie pour faciliter tout entretien futur.

REMARQUE: La conduite du drain doit être positionnée avant que l'appareil ne soit installé. Le trop-plein et le drain doivent être installés conformément aux instructions du fabricant. Positionner la conduite du drain et le siphon en utilisant les dimensions données dans la section "Plan de raccordement" de ce guide.

- Positionner la plomberie de raccordement pour le drain selon les dimensions de raccordement.

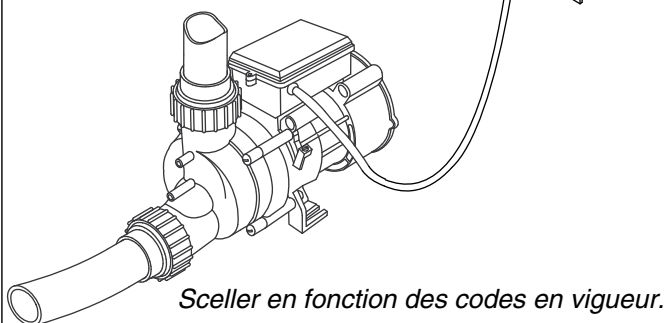
REMARQUE: Si la plomberie doit être installée sur le montant du mur non fini, installer les tuyaux d'alimentation **après** l'installation de la baignoire à hydromassage.

- Placer la plomberie en suivant les instructions du plan du raccordement. Boucher les alimentations et s'assurer de l'absence de fuites.
- **Pour des installations de drain au-dessus du plancher:** Découper le trou dans le plancher pour la conduite du drain. **Pour des installation de drain à travers le plancher:** Découper le trou dans le plancher pour l'ensemble du drain. La connexion du drain doit être effectuée directement sous le drain du trop-plein. Laisser de l'espace pour connecter la tuyauterie.
- Installer les alimentations en eau selon les instructions du fabricant du robinet. Boucher les alimentations et s'assurer de l'absence de fuites.
- Attacher les raccords des tuyaux d'alimentation en eau sur la charpente.
- Fournir un panneau d'accès à l'arrière du mur de la plomberie pour l'entretien de la tuyauterie d'alimentation et d'évacuation, si possible.

Installer la plomberie de raccordement (cont.)

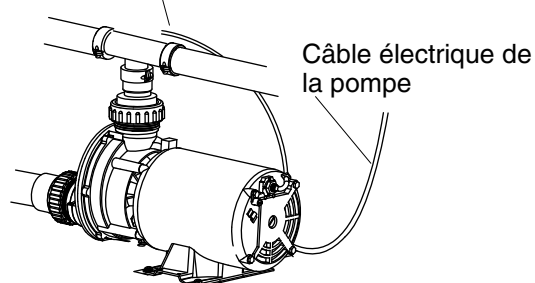
- Installer la robinetterie de la douche conformément aux instructions du fabricant. Ne pas installer la garniture pour l'instant.

Installer une prise protégée par un disjoncteur différentiel GFCI et mise à la terre de 120V, 15 A.



Sceller en fonction des codes en vigueur.

S'assurer que le tubage d'interrupteur d'air soit bien attaché à la pompe.



Sceller en fonction des codes en vigueur.

REMARQUE: Le modèle de pompe illustré peut varier du produit actuel.

8. Installation de la prise de courant

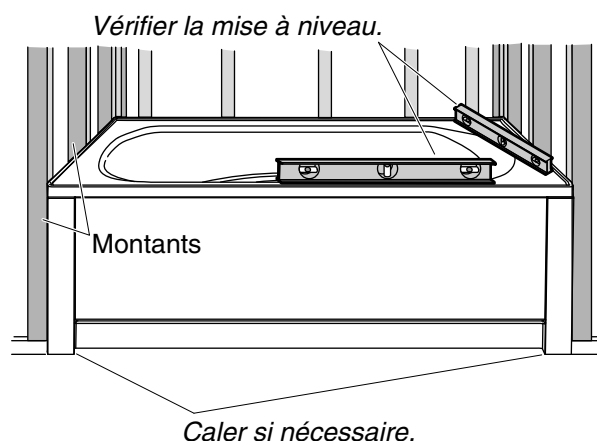


ATTENTION: Risque de blessures. Ne pas mettre l'appareil sous alimentation avant instruction spécifique.

REMARQUE: La baignoire à hydromassage est munie d'une prise et d'un cordon. Tout le câblage de la pompe et de la commande a été effectué en usine.

REMARQUE: Se référer à l'étiquette située près de la pompe. Cette étiquette identifie les caractéristiques électriques et le numéro de modèle de la baignoire à hydromassage.

- Installer une prise de 120 V et 15 A, protégée par un disjoncteur de fuite de terre (GFCI) et mise à la terre à l'arrière de la baignoire à hydromassage, dans un rayon de 24" (610 mm) de l'emplacement de la pompe. Aucune autre charge ne doit être branchée sur ce circuit.
- Si la baignoire à hydromassage est munie d'un dispositif de chauffage (non illustré), installer une deuxième prise de 120 V et 15 A, protégée par un disjoncteur de fuite de terre (GFCI) et mise à la terre à l'arrière de la baignoire à hydromassage et dans un rayon de 24" (610 mm) de l'emplacement de la pompe. Aucune autre charge ne doit être branchée sur ce circuit.
- Installer un conducteur de continuité de masse (de mise à la terre) à l'emplacement futur de la pompe selon les codes locaux applicables.



9. Positionner la baignoire à hydromassage - Installations en alcôve

Installations en alcôve

ATTENTION: Risque d'endommagement du produit. Ne pas soulever ni déplacer la baignoire à hydromassage par le bandeau ou les montants du bandeau. Vérifier que les entretoises du bandeau sont attachées avant d'installer la baignoire à hydromassage, puis soulever la baignoire à hydromassage par le rebord à plusieurs endroits.

REMARQUE: Les modèles de baignoires de 6' (1,8 m) exigent la construction d'un bandeau pour les installations en alcôve.

- Installer l'ensemble du drain et du trop plein sur la baignoire à hydromassage selon les instructions du fabricant du drain. Ne pas connecter le siphon pour l'instant.

AVIS: Vérifier que les montants du bandeau sont attachés avant d'installer la baignoire à hydromassage.

- Si aucune couche de mortier ne sera utilisée, placer le coussin en feutre sous les supports de la baignoire à hydromassage.
- Positionner et ajuster la baignoire à hydromassage jusqu'à ce que le rebord extérieur soit à ras de la charpente.
- Vérifier que la baignoire à hydromassage est nivelée et bien supportée par le sous-plancher. Si la baignoire à hydromassage n'est pas nivelée, caler la baignoire à hydromassage en utilisant du métal, du bois dur, ou un autre matériau durable.

REMARQUE: La distance maximale entre les pieds calés est de 22" (559 mm).

- Repositionner et caler la baignoire à hydromassage jusqu'à ce qu'elle soit à niveau et alignée sur le mur fini.
- Placer la couverture fournie dans la baignoire à hydromassage afin de protéger la finition. Si la couverture de protection n'est pas disponible, ajouter une toile ou autre couverture de protection.

Installer un lit de mortier (optionnel)

REMARQUE: Le coussin n'est pas requis si l'on installe un lit de mortier.

- Retirer la baignoire à hydromassage et le tapis de l'alcôve.

REMARQUE: Ne pas utiliser de plâtre, de plâtre dur ou de composé à joint pour cette application, car ces produits ne procurent pas de support structurel adéquat.

REMARQUE: Les supports de la baignoire à hydromassage doivent s'appuyer directement sur le sous-plancher.

Positionner la baignoire à hydromassage - Installations en alcôve (cont.)

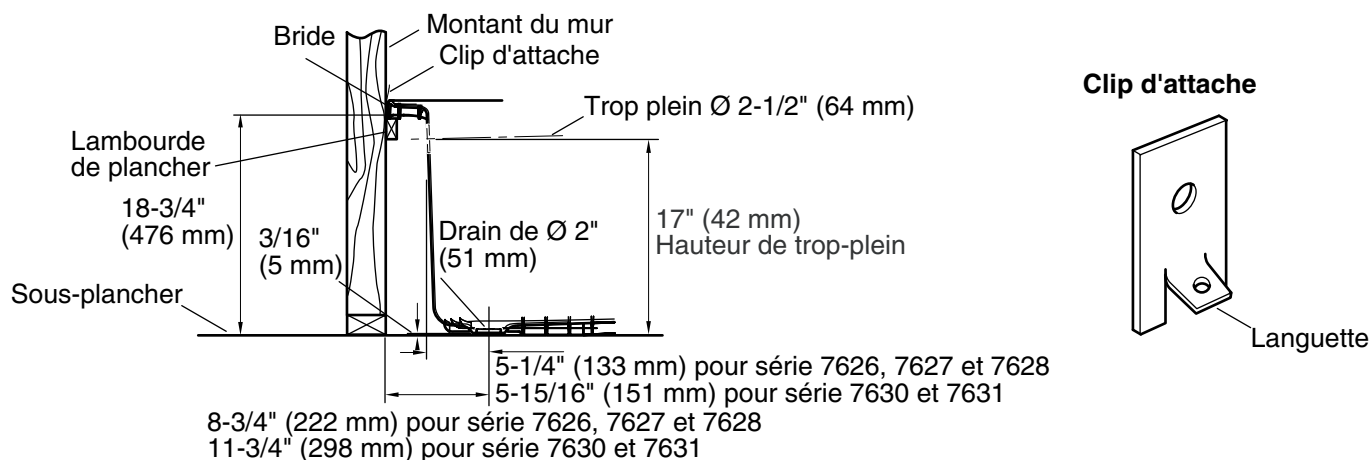
- Construire une digue pour garder le matériau du plancher à l'écart de l'emplacement du drain.
- Étaler une couche de mortier de 2" (51 mm) sur le sous-plancher, en l'étalant de manière à ce que chaque surface de la baignoire à hydromassage qui entre en contact avec le sous-plancher soit couverte de mortier. Ne pas étaler le mortier autour de la zone du drain. Laisser de l'espace pour permettre une expansion du mortier en raison du poids de la baignoire à hydromassage.
- Mettre immédiatement la baignoire à hydromassage en position.
- Vérifier que la baignoire à hydromassage est nivelée et qu'elle repose sur tous les supports.
- Nettoyer la baignoire à hydromassage pour réduire le risque d'endommagement de la surface.

10. Positionner la hydromassage - Encastrée par le dessus/podium

- Installer l'ensemble du drain et du trop plein sur la baignoire à hydromassage selon les instructions du fabricant du drain. Ne pas connecter le siphon pour l'instant.
- Positionner la baignoire à hydromassage dans la cavité.
- Vérifier que la baignoire à hydromassage est nivelée et qu'elle est bien supportée par le plancher.
- Si la baignoire à hydromassage n'est pas nivelée ou si elle n'est pas bien supportée, retirer celle-ci et placer des cales sous ses pieds. Utiliser des cales en métal, en bois dur, ou d'un autre matériau durable.

REMARQUE: La distance maximale entre les pieds avec cales est de 22" (559 mm).

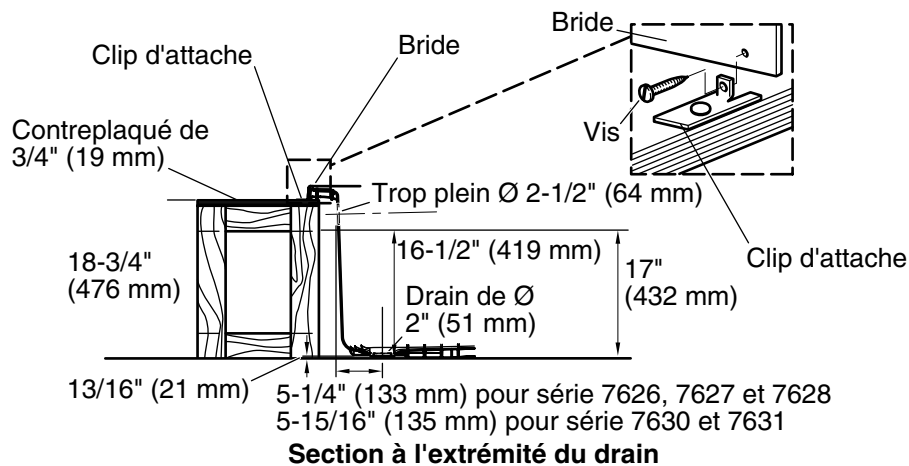
- Positionner la baignoire à hydromassage dans la cavité et revérifier qu'elle est nivelée. Répéter cette procédure jusqu'à ce que la baignoire à hydromassage soit nivelée.
- S'assurer de la présence d'un écart de 1/16" (2 mm) entre le comptoir et le rebord de la baignoire à hydromassage.



11. Sécuriser la baignoire à hydromassage - Installations en alcôve

REMARQUE: La baignoire à hydromassage doit être sécurisée en place avec les clips d'attache en métal (fournis).

- Se référer à la section "Plan de raccordement" pour les emplacements recommandés pour les clips.
- Vérifier que les montants sont compris dans une distance de 1/8" (3 mm) de la baignoire à hydromassage aux emplacements recommandés pour les clips. Poser des cales si nécessaire.
- Faire glisser le bas de chaque clip dans l'espace compris entre la bride de la baignoire à hydromassage et le montant, jusqu'à ce que la languette touche la baignoire à hydromassage.
- Fixer les clips d'attache avec les vis à tête plate galvanisées ou plaquées.



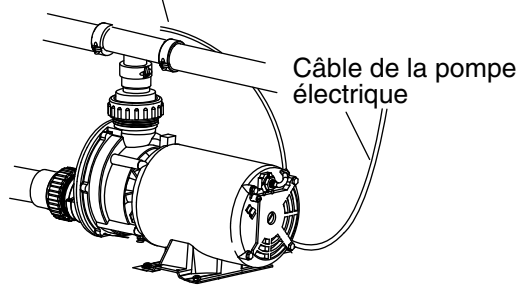
12. Placer la baignoire à hydromassage sur le sous-plancher

- S'assurer qu'il y a une toile ou une autre couverture de protection dans la baignoire à hydromassage.
- Vérifier que les montants sont à 1/8" (3 mm) de la baignoire à hydromassage aux emplacements recommandés pour les clips de support. Poser des cales si nécessaire.
- Positionner la lèvre inférieure du clip d'attache sous le bord de la baignoire à hydromassage et placer la patte contre la bride de la baignoire.
- Percer des trous-pilotes à travers la bride aux emplacements des clips d'attache afin de protéger la bride contre les craquelures lors de l'installation des dispositifs d'attache.
- Faire glisser le clip d'attache entre le centre du montant et de la baignoire à hydromassage.

REMARQUE: Si des clous pour toiture galvanisés sont utilisés, procéder avec soin lors du martèlement afin d'éviter de frapper la baignoire à hydromassage.

- Fixer les clips d'attache avec les vis à tête plate galvanisées ou plaquées, non coniques.

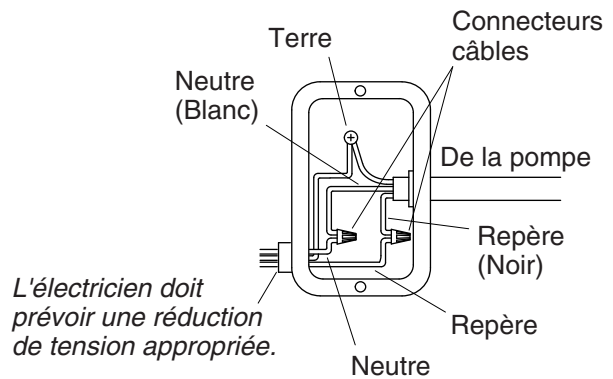
S'assurer que le tube d'actionneur pneumatique soit bien attaché à la pompe.



Sceller en fonction des codes en vigueur.

REMARQUE: Le modèle de pompe illustré peut varier du produit actuel.

La boîte de jonction devrait être connectée tel qu'indiqué.



13. Effectuer les connexions électriques - Modèles de circuits dédiés



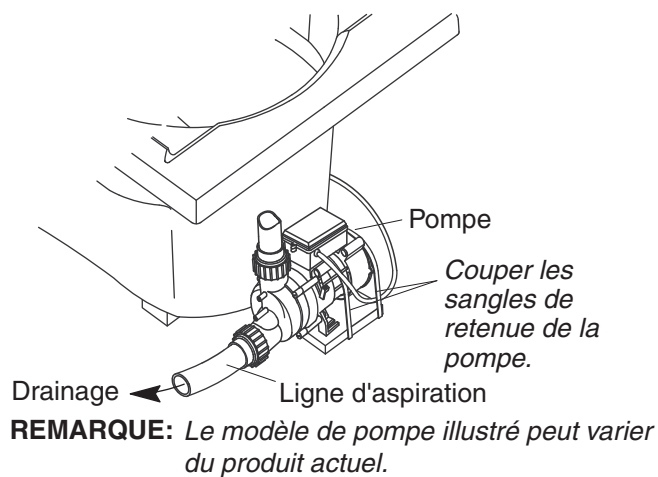
AVERTISSEMENT: Risque d'électrocution. Afin de réduire les risques d'électrocution, raccorder la pompe à une prise de terre, protégée par un disjoncteur de fuite de terre (GFCI). Ceci fournira une mesure de protection supplémentaire contre le risque d'électrocution par tension phase-terre. Un circuit dédié de 120 V, 15 A est requis.



AVERTISSEMENT: Risque d'électrocution. S'assurer que l'alimentation a été débranchée avant d'effectuer les procédures suivantes.

REMARQUE: Le dispositif de chauffage est optionnel. Certains modèles ne sont pas fournis avec le dispositif de chauffage.

- Positionner et sécuriser la boîte de jonction fournie à un minimum de 1-1/2" (38 mm) au-dessus du sous-plancher.
- Les commandes de la baignoire à hydromassage et le système ont été pré-câblés en usine. Un électricien qualifié doit faire le branchement de routine à la boîte de jonction.
- Effectuer le branchement sur la boîte de jonction. La boîte de jonction de modèle 60 Hz comprend des fils noirs et blancs et une cosse de mise à la terre.
- Un circuit dédié de 120 V, 15 A est requis. Fournir un disjoncteur de fuite de terre (GFCI) de classe A.
- Prévoir un conducteur de terre séparé pour la terre intérieure ou la cosse de mise à la terre. Le conducteur **ne peut pas** être raccordé à un autre conducteur d'alimentation électrique.
- Raccorder conformément aux codes nationaux et locaux.
- Répéter les procédures pour le dispositif de chauffage. Tous les câblages du dispositif de chauffage ont été effectués en usine.



14. Couper les sangles de retenue de la pompe

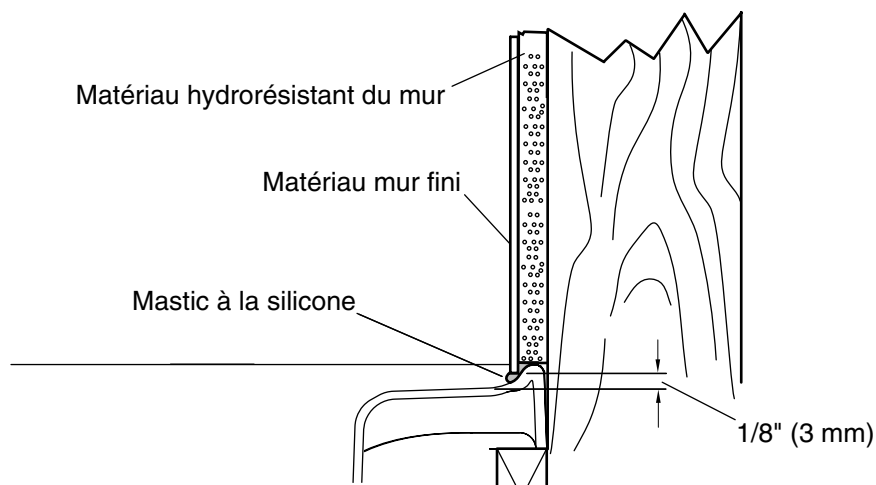
IMPORTANT! Cette étape est nécessaire pour que la baignoire à hydromassage fonctionne plus silencieusement.

IMPORTANT! Ne pas soulever la pompe à un niveau supérieur à celui avant la coupure des sangles de retenue de la pompe. Si la pompe est trop élevée, elle ne s'amorcera pas correctement.

- Couper les deux sangles de retenue de la pompe de la baignoire à hydromassage avec une paire de cisailles fines.
- S'assurer que la pompe ne soit pas en contact direct avec le faisceau de la baignoire à hydromassage.

15. Installer le drain

- Connecter le drain au siphon selon les instructions du fabricant.
- Inspecter les connexions du drain pour y rechercher des fuites.



16. Terminer le mur fini - Installations en alcôve

Installations en alcôve

- Brosser toute la poussière et tous les débris de la bride de la baignoire à hydromassage.
- Pour assurer que le matériau du mur fini soit d'aplomb, attacher des tasseaux au-dessus de la bride de la baignoire à hydromassage et contre les montants, tel qu'illustré.
- Installer le matériau du mur fini sur le matériau hydro-résistant du mur. Maintenir un espace de 1/8" (3 mm) entre le matériau du mur fini et la surface de la baignoire à hydromassage.
- Sceller un espace de 1/8" (3 mm) entre la surface de la baignoire à hydromassage et le mur fini avec du mastic à la silicone à 100%. Laisser prendre le mastic selon les instructions du fabricant.

17. Terminer le mur fini - Installations encastrées et sur podium

Pour des installations encastrées/sur podium (non illustré)

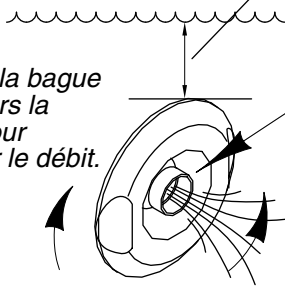
- Couvrir l'encadrement avec du matériau de mur/comptoir hydro-résistant. Appliquer le matériau du mur sur la bride de la baignoire à hydromassage, en laissant un espace de 1/16" (2 mm) entre le rebord de baignoire à hydromassage et le matériau du mur.
- Sceller les joints entre le rebord de la baignoire à hydromassage et le matériau du comptoir fini à l'aide de mastic d'étanchéité à la silicone à 100%.
- Appliquer du ruban et de la terre au matériau hydro-résistant du mur/comptoir. Installer le mur fini par-dessus le matériau hydro-résistant du mur/comptoir. Sécuriser les joints entre le rebord de la baignoire à hydromassage et le matériau du mur fini avec du mastic d'étanchéité à la silicone à 100%.

Pour les installations sur podium

- Si ceci n'a pas encore été effectué, retirer soigneusement la pellicule de protection recouvrant le rebord de la baignoire à hydromassage.
- Appliquer le matériau du mur fini sur n'importe quel mur, comptoir, et matériau avoisinant selon les besoins.
- Appliquer un boudin continu de mastic d'étanchéité à la silicone à 100% à l'endroit où le matériau du mur fini entre en contact avec la surface de la baignoire à hydromassage.

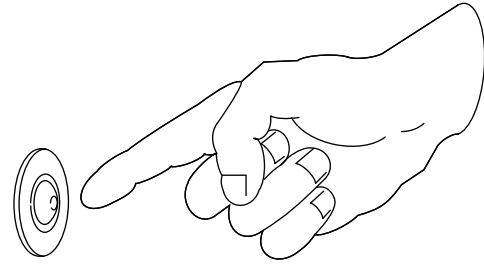
Remplir d'eau au-moins à 2" (51 mm)
au-dessus du jet le plus élevé.

Tourner la bague
du jet vers la
droite pour
diminuer le débit.



Orienter les jets
pour diriger le
débit d'eau en
position désirée.

Tourner la bague du jet vers la gauche
pour augmenter le débit d'eau.



Presser sur l'interrupteur d'air
pour activer ou arrêter la
baignoire à hydromassage.

18. Confirmer le bon fonctionnement

Inspection de l'installation

- Vérifier toutes les connexions électriques.
- Vérifier que les sangles de retenue de la pompe ont été coupées.

Remplir la baignoire à hydromassage

- Remplir la baignoire à hydromassage à au moins 2" (51 mm) au-dessus du jet le plus élevé.

Séquence de fonctionnement

- Appuyer sur l'interrupteur de débit d'air pour mettre les jets de la baignoire à hydromassage en marche.
- Vérifier que la pompe démarre et fonctionne sans bruit ni vibration excessifs.
- Vérifier que l'eau circule et s'écoule de chaque jet.
- Ajuster chaque jet pour un débit optimal. Tourner l'anneau de la garniture dans le sens des aiguilles d'une montre pour réduire le débit, et dans le sens contraire des aiguilles d'une montre pour l'augmenter.
- Appuyer sur le commutateur de débit d'air une deuxième fois pour arrêter la baignoire à hydromassage.
- Vider la baignoire à hydromassage.

Guía de instalación

Bañera de hidromasaje

INSTRUCCIONES DE INSTALACIÓN



ADVERTENCIA: Al usar aparatos eléctricos, siga siempre las precauciones básicas, incluyendo las siguientes:



PELIGRO: Riesgo de sacudida eléctrica. Conecte sólo a un circuito protegido por un interruptor de circuito con pérdida a tierra (GFCI)*.

El material de construcción y el cableado se deben colocar lejos del cuerpo de la bomba y de otros componentes que producen calor.

Instale de manera que se permita el acceso para dar servicio.

El compartimiento de cables incluye un conector de presión marcado "Earth/Ground" (Tierra). Para reducir el riesgo de sacudida eléctrica, conecte este conector al terminal de tierra de su tablero eléctrico o panel de suministro eléctrico con un cable de cobre del mismo tamaño que los conductores del circuito que alimentan este equipo.

En el exterior de la caja de empalmes, bomba o control de esta unidad se incluye un conector de presión para permitir la conexión de un conductor de puesta a tierra entre esta unidad y todo el metal expuesto en las proximidades, tal como se requiera para cumplir con las normas locales.

La conexión a tierra es un requisito. Un representante de servicio autorizado debe instalar esta unidad y conectarla a tierra.



ADVERTENCIA: Riesgo de lesiones personales o daños a la propiedad. Lea atentamente todas las instrucciones antes de comenzar la instalación, incluyendo los requisitos detallados a continuación.



ADVERTENCIA: Riesgo de sacudida eléctrica. Un electricista calificado debe realizar todas las conexiones eléctricas.



ADVERTENCIA: Riesgo de sacudida eléctrica. Desconecte el suministro eléctrico antes de dar servicio.

AVISO: Cumpla con todos los códigos locales de electricidad y de plomería. En Canadá, instale la unidad conforme al Código Eléctrico Canadiense, Parte 1.

*Fuera de los Estados Unidos, este dispositivo se conoce como un dispositivo de corriente residual (RCD, por sus siglas en inglés).

Información sobre el producto

Requisitos eléctricos

NOTA: Si el cable de alimentación eléctrica está dañado, debe ser reemplazado por el fabricante, su agente de servicio o personas igualmente calificadas para así evitar un peligro.

- La instalación debe contar con un interruptor de circuito con pérdida a tierra (GFCI) de Clase A. El GFCI protege contra el peligro de descarga eléctrica de línea a tierra. Utilice un circuito dedicado de 120 V, 15 A y 60 Hz para la bañera de hidromasaje.

Avisos sobre el producto

INSTRUCCIONES DE INSTALACIÓN (cont.)



ADVERTENCIA: Las modificaciones no autorizadas de la bomba o soplador pueden causar un funcionamiento peligroso y bajo rendimiento del producto. No cambie la ubicación de la bomba o el soplador, ni haga otras modificaciones al sistema, pues esto podría tener un efecto adverso en el rendimiento y en el funcionamiento seguro del producto. Sterling no será responsable bajo su garantía o de ninguna otra forma, de lesiones personales o daños provocados por modificaciones no autorizadas.

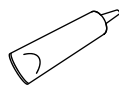
Componentes ensamblados en fábrica

- Los componentes instalados en fábrica incluyen la bomba con el cable de alimentación eléctrica, el transmisor del interruptor de aire y los jets de hidromasaje con la conexión de succión.

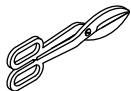
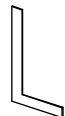
Acceso de servicio y a las conexiones

- Antes de instalar, verifique que el acceso a las conexiones finales sea adecuado.

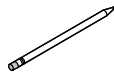
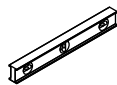
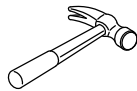
Herramientas y materiales



Sellador 100%
de silicona
transparente



Tijeras
para chapa



Más:

- Herramientas y materiales convencionales de carpintería
- Lona
- Cemento mortero (opcional)
- Postes de madera de 1x4 y 2x4 ó 2x6
- Corona perforadora
- Tornillos galvanizados o enchapados de cabeza plana no cónica
- Listones de enrasar

Antes de comenzar



PRECAUCIÓN: Riesgo de lesiones personales. Para este producto no seleccione una grifería grande de montaje en cubierta ni de montaje en el borde. Estas griferías pueden utilizarse accidentalmente como medio de soporte y no son apropiadas ni seguras para esta instalación. Seleccione una grifería de montaje a la pared o una grifería alternativa de montaje en cubierta.

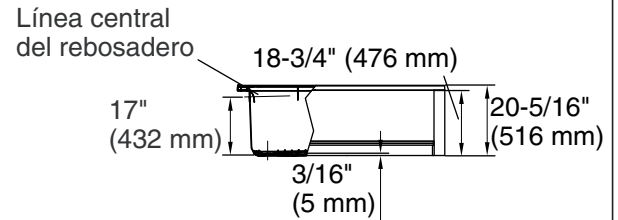
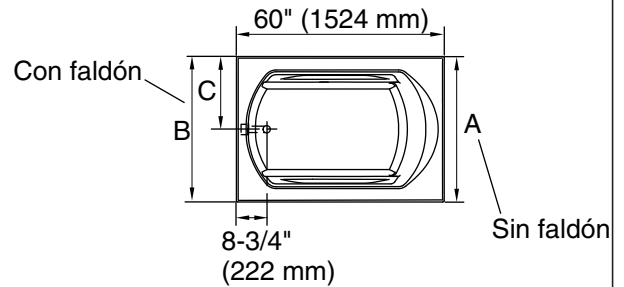
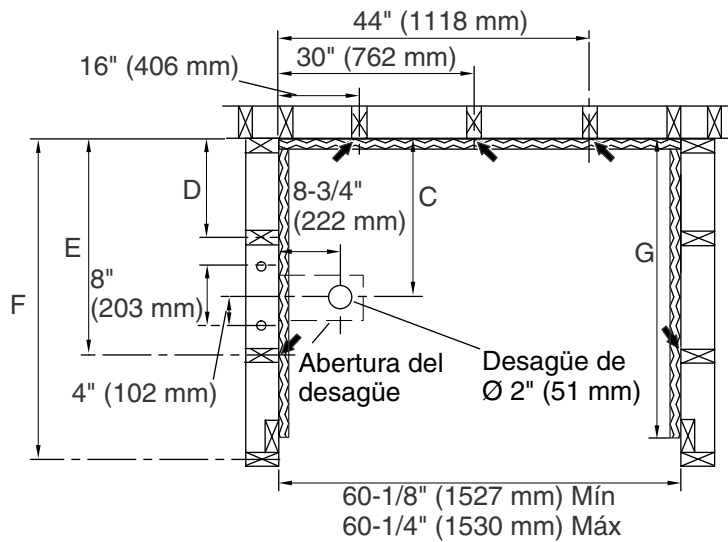
PRECAUCIÓN: Riesgo de daños al producto. Levante la bañera de hidromasaje sujetando el borde en múltiples puntos.

PRECAUCIÓN: Riesgo de daños al producto. Para evitar manchas de oxidación en el producto, asegúrese de que los clavos de techar o tornillos de cabeza plana no cónica estén galvanizados o enchapados. Si utiliza tornillos galvanizados o enchapados de cabeza plana no cónica, **no apriete demasiado los tornillos**. Si los aprieta demasiado se puede dañar el reborde de la pared. Consulte los códigos locales de construcción para determinar si los tornillos o clavos deben estar galvanizados o enchapados.

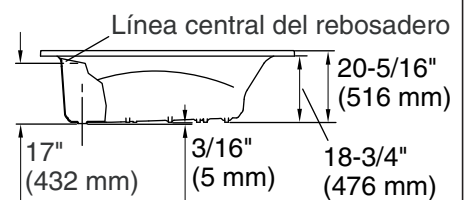
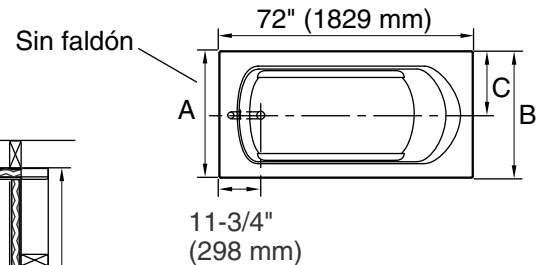
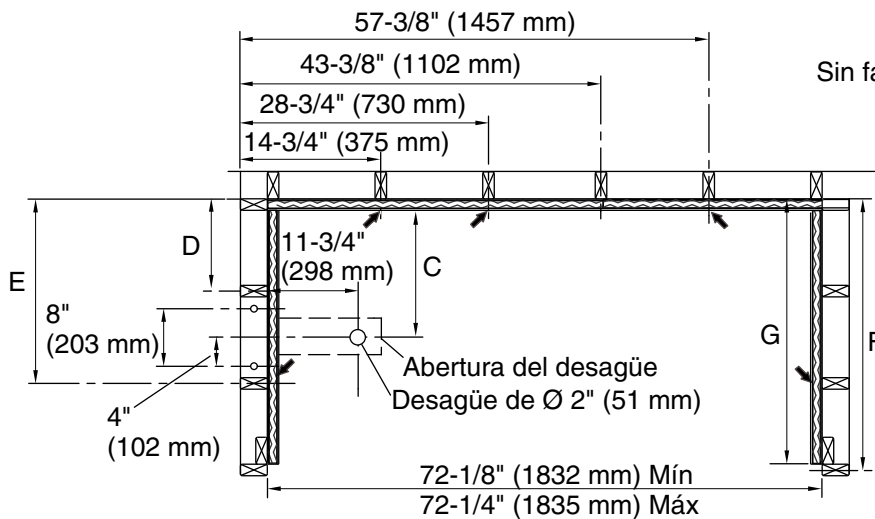
AVISO: Riesgo de daños al producto. No instale la bañera de hidromasaje sobre vigas expuestas del piso. El área del fondo no requiere ningún soporte adicional siempre que el subpiso esté nivelado y a escuadra con la estructura de postes. Instale la bañera de hidromasaje en un subpiso nivelado y con suficiente soporte. Utilice cuñas como soporte adicional, en caso de que el subpiso esté disperejo.

Antes de comenzar (cont.)

- Cumpla con todos los códigos pertinentes de plomería, eléctricos y de construcción.
- Esta bañera de hidromasaje está diseñada para instalaciones de sobreponer. Las instalaciones de encajonado entre tres paredes requieren largueros.
- El faldón opcional sólo está disponible para los modelos de 60" (1524 mm) (Serie 7626, 7627 y 7628).
- Al recibir, verifique que no falten piezas y que no haya daños. Reporte inmediatamente cualquier daño o pieza faltante.
- No desinstale la unidad existente sin haber antes desembalado y revisado la unidad nueva.
- Guarde la bañera de hidromasaje en un lugar seguro hasta el momento de la instalación para evitar daños.
- En caso de remodelación, mida la estructura de postes de madera existente antes de desinstalar la bañera de hidromasaje vieja para asegurarse de que la bañera de hidromasaje nueva entrará bien. Verifique que el desagüe esté en el lugar correcto.
- Confirme que el espacio de montaje y conexión sea adecuado para la instalación del suministro de agua y desagüe.
- Si la bañera de hidromasaje viene con un revestimiento protector, no retire el revestimiento hasta que se haya terminado la obra. Si no hay ningún revestimiento protector disponible, coloque una lona gruesa y limpia o un material similar en el fondo de la bañera de hidromasaje.
- En caso de problemas de instalación o funcionamiento, no dude en comunicarse con Sterling al 1-888-STERLING desde los EE.UU. o al 001-877-680-1310 desde México.



7626, 7627, 7628



7630, 7631

 Larguero


 Lugar recomendado para el clip de sujeción o clavo de techar (5 en total)

Diagrama de instalación

	A	B	C	D	E	F	G
7626	32" (813 mm)	32-1/4" (819 mm)	16" (406 mm)	10" (254 mm)	22" (559 mm)	31-1/4" (794 mm)	30-1/4" (768 mm)

Diagrama de instalación (cont.)

7627	36" (914 mm)	36-1/4" (921 mm)	18" (457 mm)	12" (305 mm)	24" (610 mm)	35-1/4" (895 mm)	34-1/4" (870 mm)
7628	42" (1067 mm)	42-1/4" (1073 mm)	21" (533 mm)	15" (381 mm)	27" (686 mm)	41-1/4" (1048 mm)	40-1/4" (1022 mm)
7630	36" (914 mm)	N/A	18" (457 mm)	12" (305 mm)	24" (610 mm)	35-1/4" (895 mm)	34-1/4" (870 mm)
7631	42" (1067 mm)	N/A	21" (533 mm)	15" (381 mm)	27" (686 mm)	41-1/4" (1048 mm)	40-1/4" (1022 mm)

¡IMPORTANTE! Todas las dimensiones son nominales. La tolerancia de abertura entre los postes es +1/8" (3 mm)/-0. Mida con cuidado el producto antes de determinar el tamaño del encajonado. Quizás sea necesario colocar cuñas entre la estructura de postes de madera y la unidad. Si es necesario una pared resistente al fuego, las dimensiones del diagrama de instalación deberán aumentar según el grosor del material resistente al fuego. Las dimensiones de abertura entre los postes se deben medir por el lado expuesto del material de la pared. Las dimensiones proporcionadas en el diagrama de instalación son cruciales para una correcta instalación. Construya la estructura y coloque las tuberías con precisión.

En caso de instalar una puerta de ducha con esta bañera de hidromasaje, consulte las instrucciones de instalación del fabricante de la puerta de ducha para cualquier consideración especial de la estructura de postes de madera.

1. Construcción nueva de la estructura de postes de madera

NOTA: Consulte la sección "Diagrama de instalación" para obtener las dimensiones.

¡IMPORTANTE! Un subpiso debe soportar la bañera de hidromasaje. No instale directamente en vigas expuestas en el suelo.

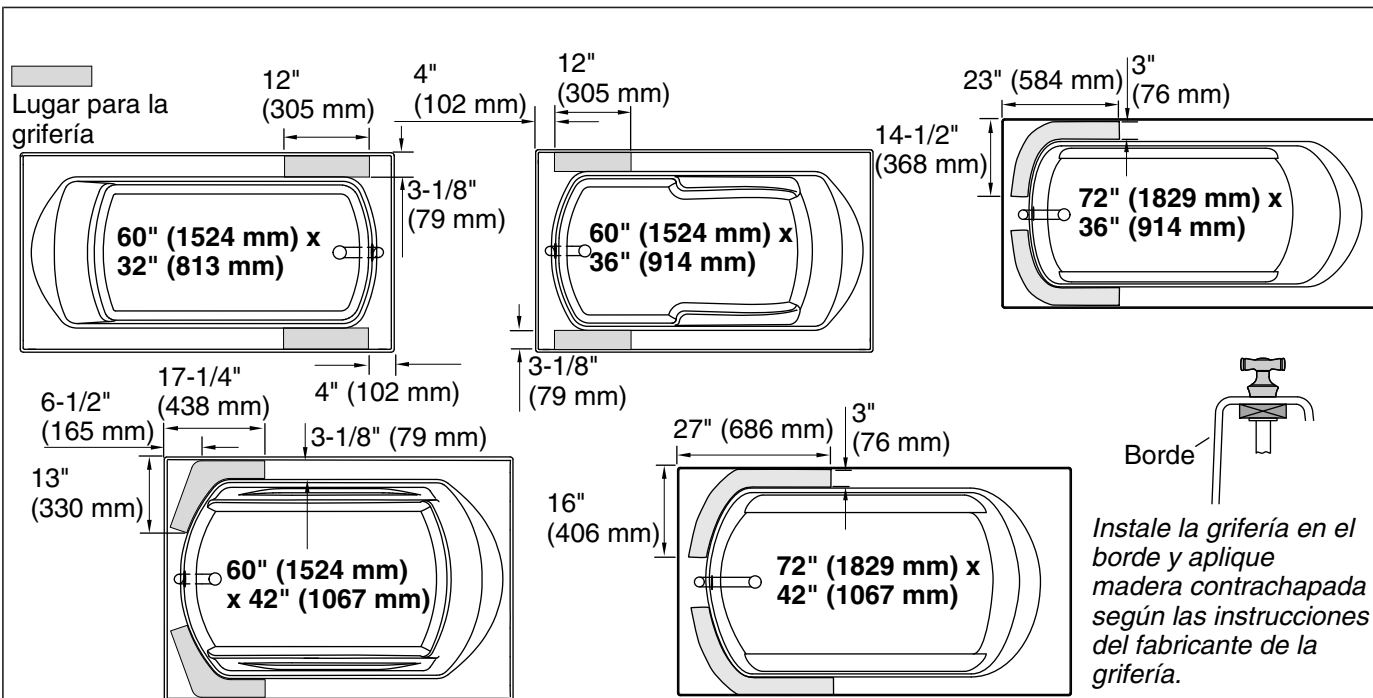
Estipulaciones para la estructura de postes de madera

- El subpiso debe estar instalado. Al colocar la bañera de hidromasaje se debe dejar espacio para el desagüe a través de las vigas del piso o losas así como facilitar la instalación de plomería.

¡IMPORTANTE! Para esta instalación no se recomiendan accesorios que requieran refuerzo o soporte.

- En caso de instalar una puerta de ducha con esta unidad, consulte las instrucciones de instalación del fabricante de la puerta de ducha para cualquier consideración especial de la estructura de postes de madera. Quizás sea conveniente añadir postes de madera para el soporte de la puerta pivotante de ducha.

¡IMPORTANTE! Construya el piso de madera contrachapada. Si la bañera de hidromasaje se instala sobre material que no sea madera contrachapada, con el tiempo la fricción podría causar rechinos.



2. Instale las tuberías de plomería



PRECAUCIÓN: Riesgo de lesiones personales. Para este producto no seleccione una grifería grande de montaje en cubierta ni de montaje en el borde. Estas griferías pueden utilizarse accidentalmente como medio de soporte y no son apropiadas ni seguras para esta instalación. Seleccione una grifería de montaje a la pared o una grifería alternativa de montaje en cubierta.

NOTA: Provea acceso a todas las conexiones de plomería para facilitar el mantenimiento futuro. Provea acceso en la parte posterior de la pared que lleva las conexiones de plomería, siempre que sea posible.

NOTA: No instale la guarnición en este momento.

- Antes de instalar una grifería de montaje en el borde o cubierta, mida y corte un trozo de madera contrachapada para exteriores de 3/4" para que actúe como soporte debajo del borde de la bañera. Corte un trozo de madera contrachapada lo suficientemente grande para soportar los componentes de la grifería y que extienda más allá del área de instalación de la grifería.
- Instale los tubos de suministro de agua en uno de los lugares especificados para la grifería. Para una correcta instalación, consulte las instrucciones del fabricante de la grifería.
- Con una abrazadera para tubo, sujete las líneas de suministro a la estructura de postes de madera.
- Instale las válvulas según las instrucciones del fabricante de la grifería.

3. Prepare el sitio

¡IMPORTANTE! Los soportes de la bañera de hidromasaje deben apoyarse directamente en un subpiso nivelado.

¡IMPORTANTE! Puede desarrollarse un rechinar entre la bañera y el subpiso. Si su bañera se envió con un protector, coloque el protector entre la bañera y el subpiso. Si su bañera no se envió con un protector, se recomienda la instalación en una capa de cemento mortero. Consulte la sección "Instale una capa de cemento mortero". No utilice fieltro para tejado ni materiales de poliéster.

¡IMPORTANTE! La línea del desagüe se debe instalar según las instrucciones del fabricante del desagüe. Coloque la línea de desagüe y la trampa utilizando las dimensiones provistas en la sección "Diagrama de instalación".

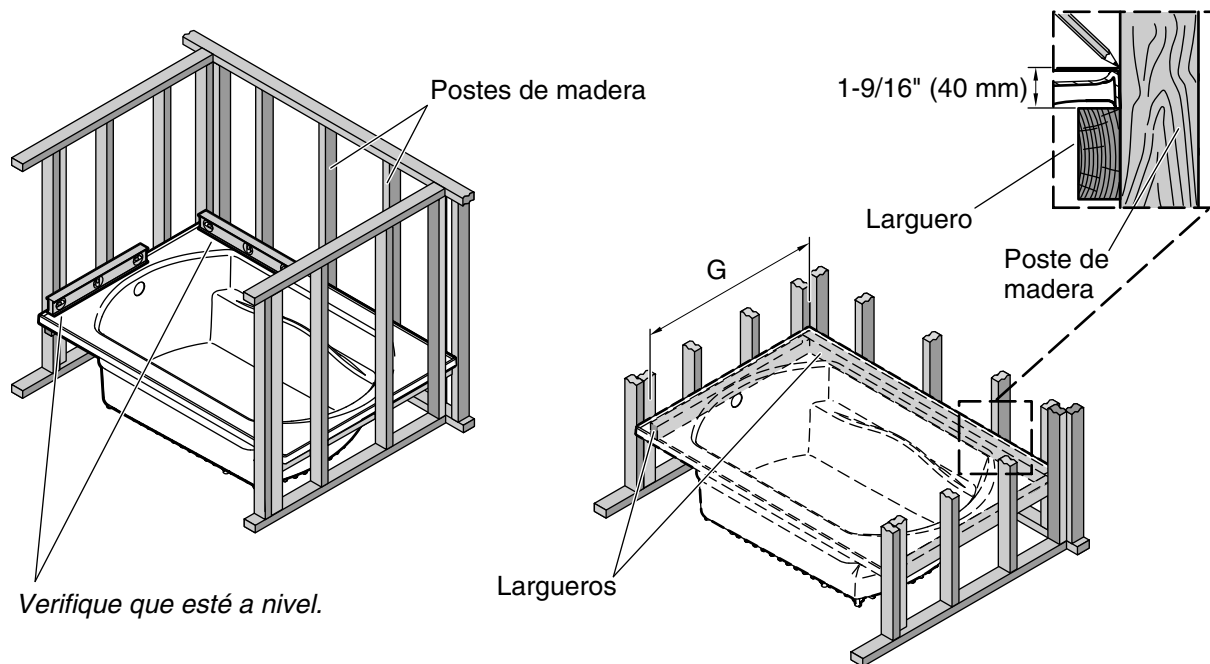
Prepare el sitio (cont.)

- Para instalaciones con desagüe arriba del nivel del piso, perforo el orificio en el piso para la línea de desagüe.
- Para instalaciones con desagüe a través del piso, perforo el orificio en el piso para el ensamble de desagüe. La conexión de desagüe debe hacerse directamente bajo el rebosadero de desagüe. Deje espacio para conectar las tuberías.
- Verifique que el subpiso esté a nivel.

Instale una capa de cemento mortero (opcional)

NOTA: Los soportes de la bañera de hidromasaje deben apoyarse directamente sobre el subpiso.

- Construya una barrera para que el revestimiento del piso no cubra la zona de desagüe.
- Aplique una capa de 2" (51 mm) de cemento mortero en el subpiso, untando de manera que las áreas de la bañera de hidromasaje que harán contacto con el subpiso tengan cemento mortero. No extienda el cemento mortero en el área del desagüe. Deje espacio para que el cemento mortero se expanda por el peso de la bañera de hidromasaje.
- Inmediatamente coloque la bañera de hidromasaje en su lugar.
- Verifique que la bañera de hidromasaje esté nivelada y apoyada sobre todos los soportes.
- Limpie la bañera de hidromasaje para reducir el riesgo de daños a la superficie.

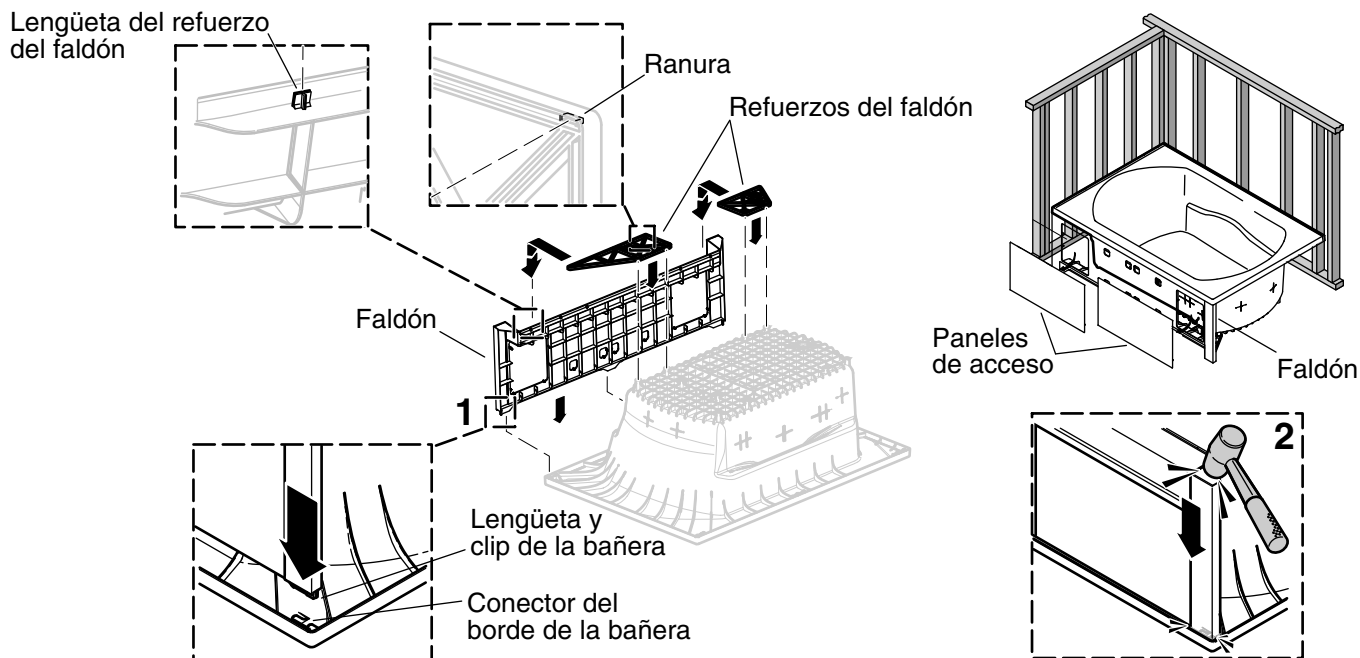


4. Prepare la bañera de hidromasaje - Instalaciones entre tres paredes

Serie	G
7626	30-1/4" (768 mm)
7627	34-1/4" (870 mm)
7628	40-1/4" (1022 mm)
7630	34-1/4" (870 mm)
7631	40-1/4" (1022 mm)

NOTA: Mantenga una lona gruesa o tela de protección en el fondo de la bañera de hidromasaje hasta terminar la construcción.

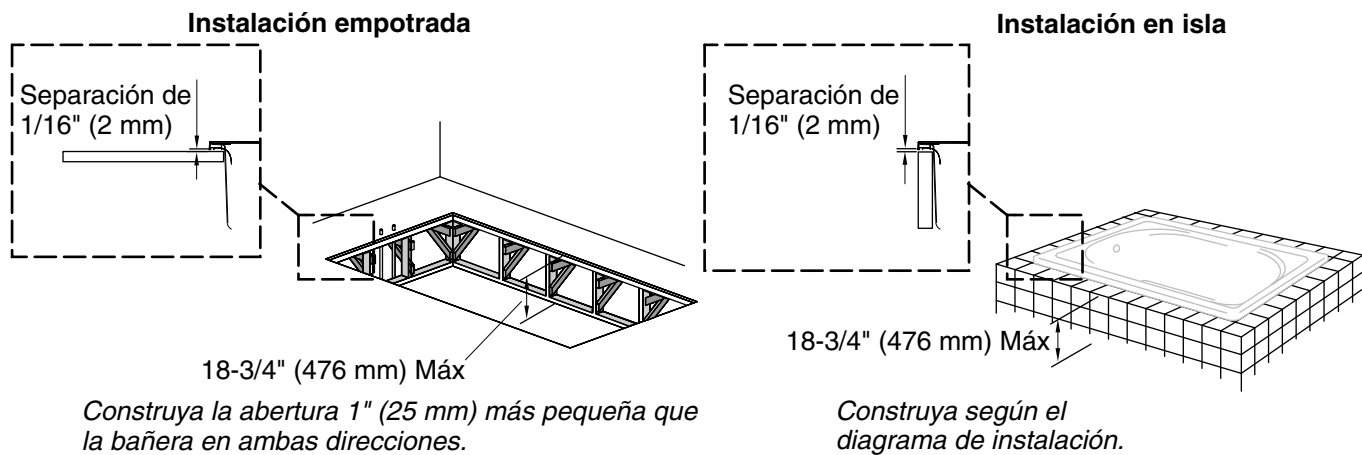
- Instale en seco la bañera de hidromasaje.
- Compruebe que la bañera de hidromasaje esté nivelada y bien apoyada en el subpiso.
- Si la bañera de hidromasaje no está a nivel, nivele utilizando cemento mortero siguiendo los pasos "Instale una capa de cemento mortero", o acúñe con cuñas de metal, madera u otro material durable. Cambie la posición y acúñe la bañera de hidromasaje hasta que quede alineada con la estructura de postes de madera y a nivel.
- Marque la altura del reborde de la bañera de hidromasaje en cada lado con pared.
- Retire la bañera de hidromasaje.
- Mida y marque 1-9/16" (40 mm) hacia abajo desde la primera marca.
- Corte dos largueros de material de 1x4 a la longitud especificada en la dimensión "G". Corte un tercer larguero para que entre en el ancho restante del encajonado de postes de madera.
- Instale los largueros.
- Instale en seco la bañera de hidromasaje y asegúrese de que el borde de la bañera de hidromasaje no soporte el peso de la bañera. Baje ligeramente los largueros si el peso de la bañera de hidromasaje descansa en los largueros.
- Retire la bañera de hidromasaje.
- Instale el montaje del desagüe y rebosadero en la bañera de hidromasaje según las instrucciones del fabricante del desagüe.



5. Instale el faldón opcional

Sólo Serie 7626, 7627 y 7628

- Coloque la barrera de protección en el piso de manera que la bañera de hidromasaje no se raye.
- Voltee la bañera de hidromasaje.
- Determine el lado correcto para la instalación del faldón.
- Coloque el faldón, y alinee las tres lengüetas de la bañera y los clips con el lado inferior del borde de la bañera de hidromasaje.
- Oprima los clips de la bañera en los conectores del borde de la bañera. Si es necesario, con un mazo de goma golpee suavemente el faldón en su lugar.
- Instale los refuerzos del faldón a las lengüetas de los refuerzos del faldón.
- Instale los paneles de acceso en la estructura del faldón.



6. Prepare el sitio - Instalaciones empotradas y en isla

AVISO: No apoye la bañera de hidromasaje por los bordes.

Instalación empotrada

NOTA: La instalación empotrada requiere una abertura en el piso con una cubierta en los cuatro lados. Se debe añadir una estructura de postes de madera y un subpiso debajo de la cubierta. La cubierta ubica la bañera de hidromasaje y la estructura de postes de madera y el subpiso dan soporte a la bañera de hidromasaje.

- Trace y corte con cuidado el material de la cubierta no acabada. Use la plantilla de corte, si se provee, o consulte el diagrama pertinente en la sección "Diagrama de instalación".
- Deje espacio para instalar el montaje del desagüe y las tuberías de suministro de agua.
- Construya un panel de acceso de 18" (457 mm) x 15" (381 mm) en el extremo de la unidad que lleva la bomba.

NOTA: El subpiso no debe quedar más abajo de 18-3/4" (476 mm) de la cubierta no acabada. La instalación del subpiso debe dejar un espacio de 1/16" (2 mm) para el sellador entre la cubierta no acabada y el borde inferior de la bañera de hidromasaje vacía.

- Construya una estructura de postes de madera de 2x4 ó 2x6 y un subpiso a nivel.

Instalación en isla

NOTA: La instalación en isla requiere un estructura circundante elevada de cuatro lados, generalmente construida de ladrillos o concreto. El piso sobre el cual descansa la estructura circundante elevada, sirve de soporte a la bañera de hidromasaje. La estructura circundante sólo sirve para ubicar la bañera de hidromasaje.

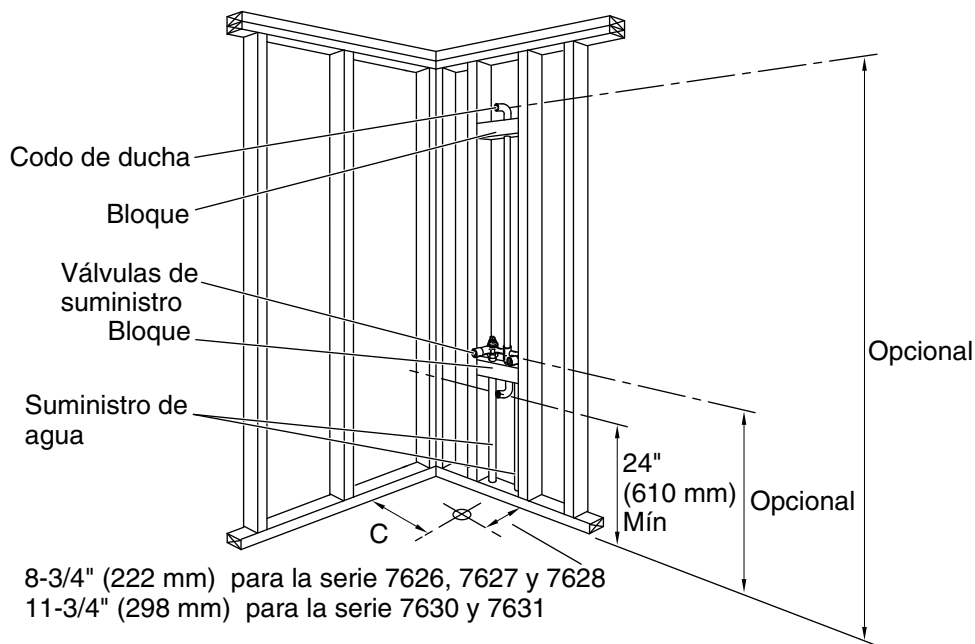
- Trace con cuidado la obra de mampostería. Decida si los azulejos de acabado quedarán al ras de la bañera de hidromasaje o instalados debajo del borde.
- Verifique que el subpiso esté plano y nivelado.
- Deje espacio para instalar el montaje del desagüe y las tuberías de suministro de agua.
- Construya un panel de acceso de 18" (457 mm) x 15" (381 mm) en el extremo de la unidad que lleva la bomba.

NOTA: El subpiso no debe quedar más abajo de 18-3/4" (476 mm) de la isla de mampostería. La instalación del subpiso debe dejar un espacio de 1/16" (2 mm) para el sellador entre la isla y el borde inferior de la bañera de hidromasaje vacía.

- Construya la isla de ladrillos o concreto.

Prepare el sitio - Instalaciones empotradas y en isla (cont.)

- Añada azulejos u otro material de acabado, dejando un espacio de 1/16" (2 mm) para el sellador entre la isla y el borde de la bañera de hidromasaje.



7. Instale las tuberías de plomería

	C
7626	16" (406 mm)
7627	18" (457 mm)
7628	21" (533 mm)
7630	18" (457 mm)
7631	21" (533 mm)

NOTA: Provea acceso a todas las conexiones de la plomería para facilitar el mantenimiento futuro.

NOTA: La línea de desagüe debe ubicarse antes de instalar la unidad. El rebosadero y el desagüe se deben instalar según las instrucciones del fabricante. Coloque la línea de desagüe y la trampa utilizando las dimensiones provistas en la sección "Diagrama de instalación" en esta guía.

- Ubique las tuberías de desagüe según las dimensiones del diagrama de instalación.

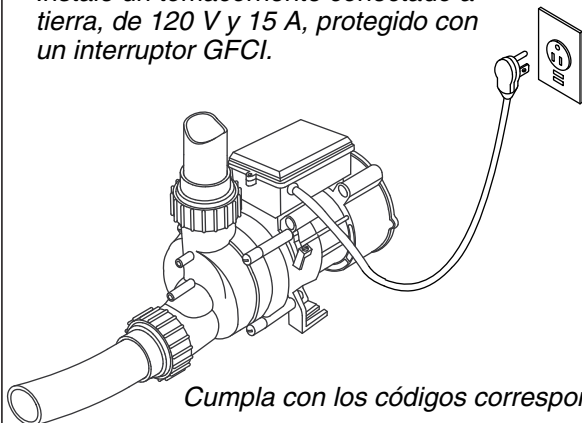
NOTA: Si va a instalar las tuberías en la pared de postes no acabada, instale los suministros **después** de instalar la bañera de hidromasaje.

- Coloque las tuberías según el diagrama de instalación. Tape los suministros y verifique que no haya fugas.
- Para instalaciones de desagüe arriba del nivel del piso:** Perfore el orificio en el piso para la línea de desagüe. **Para instalaciones de desagüe a través del piso:** Perfore el orificio en el piso para el montaje del desagüe. La conexión de desagüe debe hacerse directamente bajo el rebosadero de desagüe. Deje espacio para conectar las tuberías.
- Instale los suministros de agua según las instrucciones del fabricante de la grifería. Tape los suministros y verifique que no haya fugas.
- Con una abrazadera para tubo, sujete las conexiones del suministro de agua a la estructura de postes de madera.
- Si es posible, provea un panel de acceso en la parte posterior de la pared que lleva las conexiones de plomería para dar servicio a las tuberías de suministro y desagüe.

Instale las tuberías de plomería (cont.)

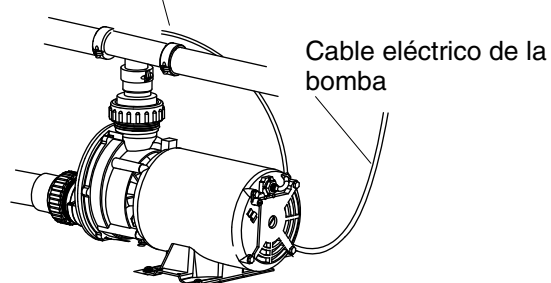
- Instale las válvulas de la ducha según las instrucciones del fabricante. No instale la guarnición en este momento.

Instale un tomacorriente conectado a tierra, de 120 V y 15 A, protegido con un interruptor GFCI.



Cumpla con los códigos correspondientes.

Verifique que la tubería del accionador de aire esté bien conectada a la bomba.



Cumpla con los códigos correspondientes.

NOTA: Es posible que el modelo de bomba ilustrado sea diferente al producto que haya adquirido.

8. Instale el tomacorriente

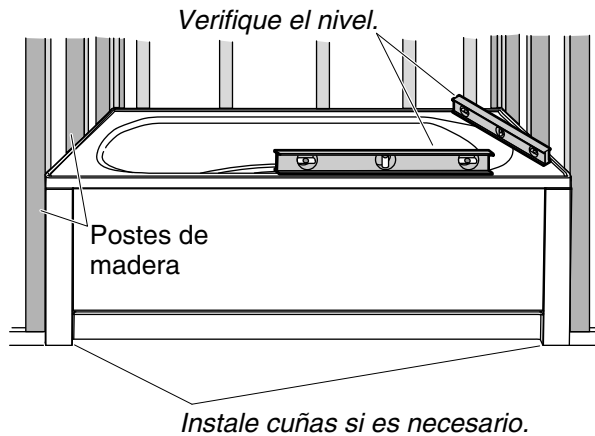


PRECAUCIÓN: Riesgo de lesiones personales. No encienda la unidad hasta que se le indique.

NOTA: La bañera de hidromasaje está equipada de un cable y un enchufe. Todo el cableado de la bomba y el control se ha realizado en fábrica.

NOTA: Consulte la etiqueta cerca de la bomba. Esta etiqueta identifica la capacidad nominal eléctrica y el número de modelo de la bañera de hidromasaje.

- Instale un tomacorriente con conexión a tierra, de 120 V, 15 A y protegido con un interruptor GFCI por detrás de la bañera de hidromasaje y a 24" (610 mm) del lugar de instalación de la bomba. Este circuito no debe tener ninguna otra carga.
- Si la bañera de hidromasaje está equipada con un calentador (no se muestra), instale un segundo tomacorriente con conexión a tierra, de 120 V, 15 A y protegido con un interruptor GFCI detrás de la bañera de hidromasaje y a 24" (610 mm) del lugar de instalación de la bomba. Este circuito no debe tener ninguna otra carga.
- Instale un conductor de puesta a tierra (conexión a tierra) en el lugar de instalación de la bomba según los códigos locales pertinentes.



9. Coloque la bañera de hidromasaje - Instalaciones entre tres paredes

Instalaciones encajonadas entre tres paredes

PRECAUCIÓN: Riesgo de daños al producto. No levante ni mueva la bañera de hidromasaje sosteniéndola por el faldón ni los refuerzos del faldón. Verifique que los refuerzos del faldón estén fijos antes de instalar la bañera de hidromasaje, luego levante la bañera de hidromasaje por el borde en varios puntos.

NOTA: Los modelos de bañera de 6' (1,8 m) requieren de la construcción de un faldón para instalaciones encajonadas entre tres paredes.

- Instale el montaje del desagüe y rebosadero en la bañera de hidromasaje según las instrucciones del fabricante del desagüe. Aún no conecte la trampa.

AVISO: Verifique que los refuerzos del faldón estén fijos antes de instalar la bañera de hidromasaje.

- Si no existe una capa de cemento mortero, coloque un protector de fieltro debajo de los soportes de la bañera de hidromasaje.
- Coloque y ajuste la bañera de hidromasaje hasta que el filo exterior quede al ras con la estructura de postes de madera.
- Compruebe que la bañera de hidromasaje esté nivelada y bien apoyada en el subpiso. Si la bañera de hidromasaje no está a nivel, acúñe la bañera de hidromasaje con cuñas de metal, madera u otro material duradero.

NOTA: La distancia máxima entre los pies acuñados es 22" (559 mm).

- Cambie la posición y acúñe la bañera de hidromasaje hasta que quede alineada con la pared acabada y a nivel.
- Coloque el revestimiento provisto en la bañera de hidromasaje para proteger el acabado. Si no hay disponible un revestimiento de protección, coloque una lona u otro tipo de revestimiento de protección.

Instale una capa de cemento mortero (opcional)

NOTA: Si va a instalar una capa de cemento mortero, el protector no se requiere.

- Retire la bañera de hidromasaje y el protector del encajonado entre tres paredes.

NOTA: No utilice yeso, cemento de yeso o pasta para paneles de yeso con esta aplicación, puesto que no proporcionarán el soporte estructural adecuado.

NOTA: Los soportes de la bañera de hidromasaje deben apoyarse directamente sobre el subpiso.

Coloque la bañera de hidromasaje - Instalaciones entre tres paredes (cont.)

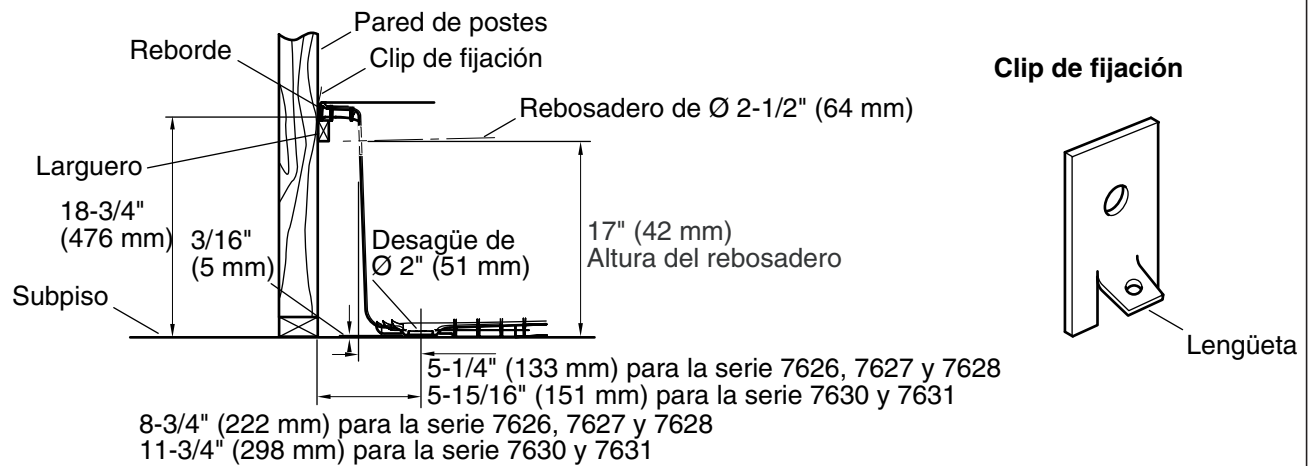
- Construya una barrera para que el revestimiento del piso no cubra la zona de desagüe.
- Aplique una capa de 2" (51 mm) de cemento mortero en el subpiso, untando de manera que las áreas de la bañera de hidromasaje que harán contacto con el subpiso tengan cemento mortero. No extienda el cemento mortero en el área del desagüe. Deje espacio para que el cemento mortero se expanda por el peso de la bañera de hidromasaje.
- Inmediatamente coloque la bañera de hidromasaje en su lugar.
- Verifique que la bañera de hidromasaje esté nivelada y apoyada sobre todos los soportes.
- Limpie la bañera de hidromasaje para reducir el riesgo de daños a la superficie.

10. Coloque la bañera de hidromasaje - Instalaciones de sobreponer/isla

- Instale el montaje del desagüe y rebosadero en la bañera de hidromasaje según las instrucciones del fabricante del desagüe. Aún no conecte la trampa.
- Coloque la bañera de hidromasaje en el empotrado.
- Compruebe que la bañera de hidromasaje esté nivelada y bien apoyada en el piso.
- Si la bañera de hidromasaje no está a nivel o bien soportada, retire la bañera de hidromasaje e instale cuñas debajo de los pies de la bañera de hidromasaje. Utilice cuñas de metal, madera noble u otro material resistente.

NOTA: La distancia máxima entre los pies acuñados es 22" (559 mm).

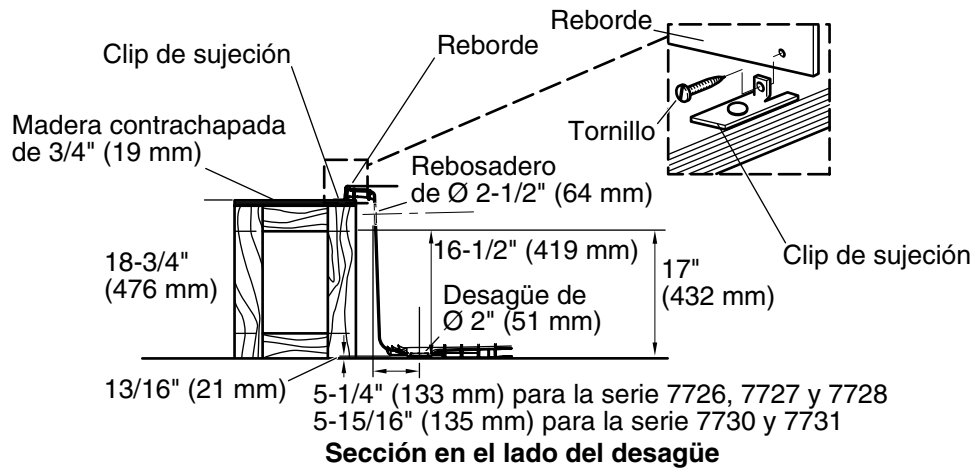
- Coloque la bañera de hidromasaje en el empotrado y vuelva a verificar que esté a nivel. Repita este procedimiento hasta que la bañera de hidromasaje quede a nivel.
- Asegúrese de dejar una separación de 1/16" (2 mm) entre el borde de la bañera de hidromasaje y la cubierta.



11. Fije la bañera de hidromasaje - Instalaciones entre tres paredes

NOTA: La bañera de hidromasaje se debe fijar utilizando los clips metálicos de sujeción (provistos).

- Consulte la sección "Diagrama de instalación" para obtener los lugares recomendados para los clips.
- Verifique que los postes de madera estén dentro de 1/8" (3 mm) de la bañera de hidromasaje en los lugares recomendados para los clips. Utilice cuñas si es necesario.
- Deslice la parte inferior de cada clip en el espacio entre el reborde de la bañera de hidromasaje y el poste de madera hasta que la lengüeta toque la bañera de hidromasaje.
- Fije los clips de sujeción con tornillos de cabeza plana galvanizados o enchapados.



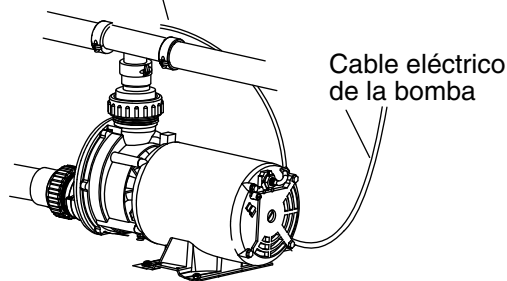
12. Coloque la bañera de hidromasaje en el subpiso

- Asegúrese de que haya una lona u otro revestimiento protector en la bañera de hidromasaje.
- Verifique que los postes de madera estén dentro de 1/8" (3 mm) de la bañera de hidromasaje en los lugares recomendados para los clips de soporte. Utilice cuñas si es necesario.
- Coloque el labio inferior del clip de sujeción debajo del filo de la bañera de hidromasaje y coloque la lengüeta contra el reborde de la bañera.
- Taladre orificios guía a través del reborde en los lugares para los clips de sujeción con el fin de evitar fisurar el reborde al instalar los herrajes.
- Deslice el clip de sujeción en su lugar entre el centro del poste y la bañera de hidromasaje.

NOTA: Si va a utilizar clavos de techar galvanizados, tenga cuidado al martillar para evitar golpear la bañera de hidromasaje.

- Fije los clips de sujeción con tornillos de cabeza plana no cónica galvanizados o enchapados.

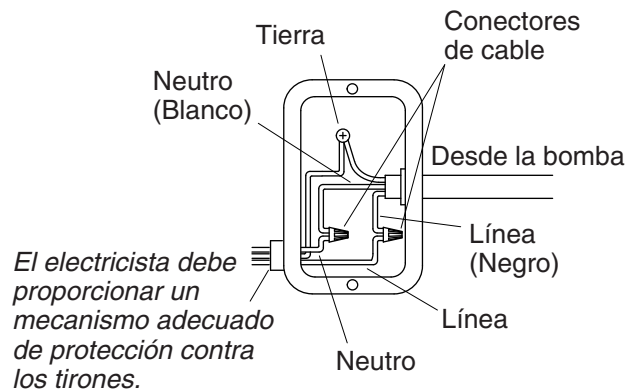
Verifique que la tubería del accionador de aire esté bien conectada a la bomba.



Cumpla con los códigos correspondientes.

NOTA: Es posible que el modelo de bomba ilustrado sea diferente al producto que haya adquirido.

El cableado de la caja de empalmes debe realizarse como se ilustra.



El electricista debe proporcionar un mecanismo adecuado de protección contra los tirones.

13. Haga las conexiones eléctricas - Modelos con circuitos dedicados



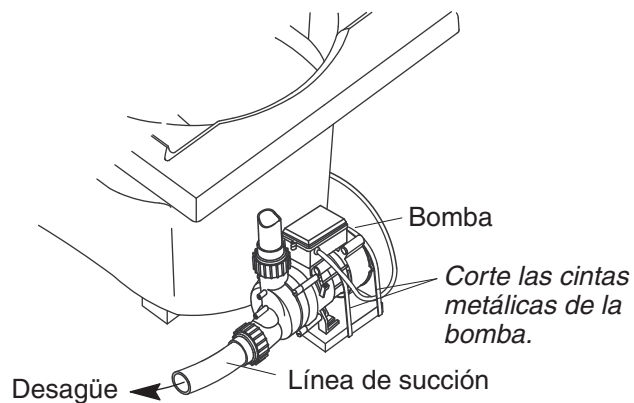
ADVERTENCIA: Riesgo de descarga eléctrica. Para reducir el riesgo de sacudida eléctrica, conecte la bomba a un interruptor de circuito con pérdida a tierra (GFCI) bien conectado a tierra. Esto servirá de protección adicional contra el peligro de sacudida eléctrica de línea a tierra. Se requiere un circuito dedicado de 120 V, 15 A.



ADVERTENCIA: Riesgo de descarga eléctrica. Asegúrese de desconectar la corriente eléctrica antes de realizar el siguiente procedimiento.

NOTA: El calentador es opcional. Algunos modelos no tienen calentador.

- Coloque y fije la caja de empalmes provista a 1-1/2" (38 mm) mínimo sobre el subpiso.
- El cableado de los controles y del sistema de la bañera de hidromasaje se ha realizado en la fábrica. Un electricista calificado debe realizar las conexiones eléctricas a la caja de empalmes.
- Conecte el cable de servicio eléctrico a la caja de empalmes. La caja de empalmes de 60 Hz tiene cables negro y blanco, y una lengüeta de conexión a tierra.
- Se requiere un circuito dedicado de 120 V, 15 A. Provea un interruptor de circuito con pérdida a tierra (GFCI) de Clase A.
- Provea un conductor de conexión a tierra del equipo separado para la lengüeta de conexión a tierra o tierra interior. El conductor **no debe** estar conectado a ningún otro conductor portador de corriente.
- Cumpla con los códigos nacionales y locales.
- Repita los procedimientos con el calentador. Todo el cableado del calentador se ha realizado en fábrica.



NOTA: Es posible que el modelo de bomba ilustrado sea diferente al producto que haya adquirido.

14. Corte las cintas metálicas que sujetan la bomba

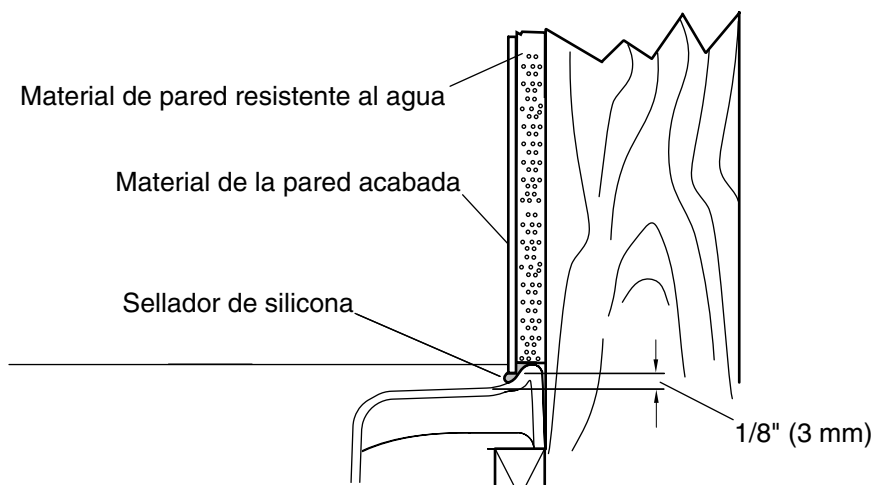
¡IMPORTANTE! Este paso es necesario para que su bañera de hidromasaje funcione más silenciosamente.

¡IMPORTANTE! No suba la bomba más arriba de lo que estaba antes de cortar las cintas metálicas. Si la bomba está demasiado alta, no cebará correctamente.

- Con unas tijeras para chapa, corte las dos cintas en la bomba de la bañera de hidromasaje.
- Asegúrese de que la bomba no entre en contacto directo con el arnés de la bañera de hidromasaje.

15. Instale el desagüe

- Conecte el desagüe a la trampa según las instrucciones del fabricante.
- Revise que no haya fugas en las conexiones de desagüe.



16. Termine la pared acabada - Instalaciones entre tres paredes

Instalaciones encajonadas entre tres paredes

- Limpie el polvo y los residuos del reborde de la bañera de hidromasaje.
- Para asegurar que el material de la pared acabada estará a plomo, fije listones de enrasar arriba del reborde de la bañera de hidromasaje y contra los postes de madera, como se muestra.
- Instale el material de la pared acabada sobre el material de pared resistente al agua. Mantenga una separación de 1/8" (3 mm) entre el material de la pared acabada y la superficie de la bañera de hidromasaje.
- Selle la separación de 1/8" (3 mm) entre la superficie de la bañera de hidromasaje y la pared acabada con sellador 100% de silicona. Deje que el sellador se seque según las instrucciones del fabricante del sellador.

17. Termine la pared acabada - Instalaciones de sobreponer y en isla

Para instalaciones de sobreponer o en isla (no se muestra)

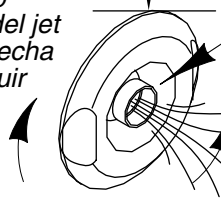
- Cubra la estructura con un material de cubierta/pared resistente al agua. Aplique el material de la pared sobre el reborde de la bañera de hidromasaje, dejando una separación de 1/16" (2 mm) entre el filo del borde de la bañera de hidromasaje y el material de la pared.
- Selle las juntas entre el filo del borde de la bañera de hidromasaje y el material de la cubierta acabada con sellador 100% de silicona.
- Aplique cinta y yeso al material resistente al agua de la pared/cubierta. Instale la pared acabada sobre el material resistente al agua de la pared/cubierta. Selle las juntas entre el filo del borde de la bañera y la pared acabada con sellador 100% de silicona.

Para las instalaciones en isla

- Si aún no lo ha hecho, retire con cuidado la cinta protectora del borde de la bañera de hidromasaje.
- Instale el material de la pared acabada al material de pared, cubierta y circundante, según sea necesario.
- Aplique una tira continua de sellador 100% de silicona en los lugares donde el material de la pared acabada entre en contacto con la superficie de la bañera de hidromasaje.

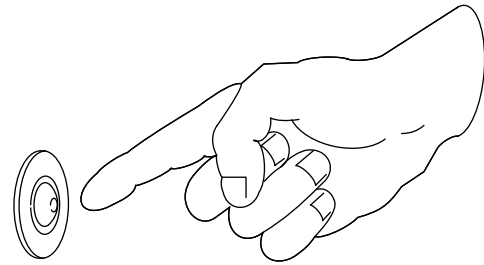
Llene de agua por lo menos 2" (51 mm) arriba del jet más alto.

Gire el anillo decorativo del jet hacia la derecha para disminuir el flujo.



Oriente las boquillas de los jets para dirigir el flujo de agua en la dirección deseada.

Gire el anillo decorativo del jet hacia la izquierda para aumentar el flujo.



Presione el accionador de aire para encender o apagar la bañera de hidromasaje.

18. Confirme el funcionamiento correcto

Verificación de la instalación

- Verifique todas las conexiones eléctricas.
- Verifique que se hayan cortado las cintas de la bomba.

Llene la bañera de hidromasaje

- Llene la bañera de hidromasaje al menos 2" (51 mm) más arriba de la parte superior del jet más alto.

Secuencia de funcionamiento

- Oprima el interruptor de aire para encender los jets de la bañera de hidromasaje.
- Verifique que la bomba se encienda y funcione sin ruido o vibración excesivos.
- Verifique que el agua circule y fluya de cada jet.
- Ajuste cada jet para un flujo óptimo. Gire el anillo decorativo hacia la derecha para reducir el flujo, y hacia la izquierda para aumentarlo.
- Oprima el interruptor de aire por segunda vez para apagar la bañera de hidromasaje.
- Drene la bañera de hidromasaje.

USA: 1-800-STERLING
(1-800-783-7546)

México: 001-877-680-1310

SterlingPlumbing.com

STERLING
A KOHLER COMPANY

©2012 Kohler Co.

1105582-2-F