

Central Brass

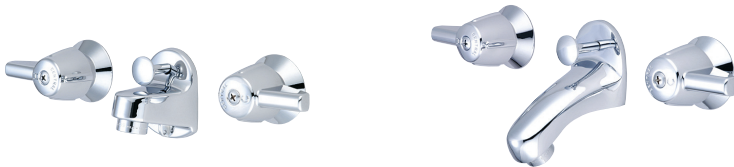
COMPANY

A Division of Pioneer Industries, Inc.

Installation Guide

Two Handle Shelf Back/Slant Back Lavatory Faucet:

- 1177-A
- 1177-DA
- 1178-A
- 1178-DA



This product meets the following standards:

- ASME A112.18.1
- ANSI A117.1



Thank You For Choosing Central Brass Products

Thank you for purchasing this quality product.

Central Brass products are rigorously tested to provide long service under normal conditions. Prior to installation, familiarize yourself with this products diagram.

Make sure that you have all of the illustrated parts for your Central Brass product before installation.

Care Instructions

Central Brass products are designed and engineered under strict quality standards. The Central Brass Collection of PVD finishes feature a strong and durable surface that will keep your fixture looking exquisite for a lifetime.

To ensure the beautiful appearance of your Central Brass product, please adhere to the following simple care instructions:

- Use clean water to clean the surface of the faucet and dry with a 100% cotton cloth.
- You may also use any non-abrasive wax, along with a soft cotton cloth to brighten the surface and provide future protection of the finish.
- Do not use detergents, harsh cleaners, abrasive cleaners, cloths, and cleaning agents.

CENTRAL BRASS LIMITED WARRANTY

The Central Brass Company provides to the original consumer the following warranties for Genuine Central Brass manufactured products and components used in commercial or residential applications.

Central Brass Company will replace, free of charge, to the original consumer purchaser, any and all parts that prove defective under normal installation, use, and service. This warranty does not cover damage or defects due to normal wear and tear, misuse, abuse, accident, or improper installation. Replacement parts can be obtained from your local dealer or directly from Central Brass Company. Central Brass Company recommends using a certified plumber for all faucet installation and repair. Dated proof of purchase must accompany all warranty claims.

FAUCET WARRANTY

The Faucet, defined as any metal cast, forged, stamped or formed portion of the product, not including moving parts or other components covered under other Central Brass warranties, is warranted against manufacturing defects for the life of the product.

CARTRIDGE WARRANTY

Genuine Central Brass cartridges incorporated in Central Brass products are warranted against manufacturing defects for a period of five (5) years from the date of purchase.

SENSOR FAUCETS

The mechanics of the Central Brass Sensor Faucets are warranted for five (5) years from the date of installation. The electronics and solenoid are warranted for a period of one (1) year from the date of installation.

FINISH WARRANTY - COMMERCIAL

PVD finishes installed in public or commercial areas are warranted not to corrode, tarnish or discolor for a period of five (5) years from date of purchase.

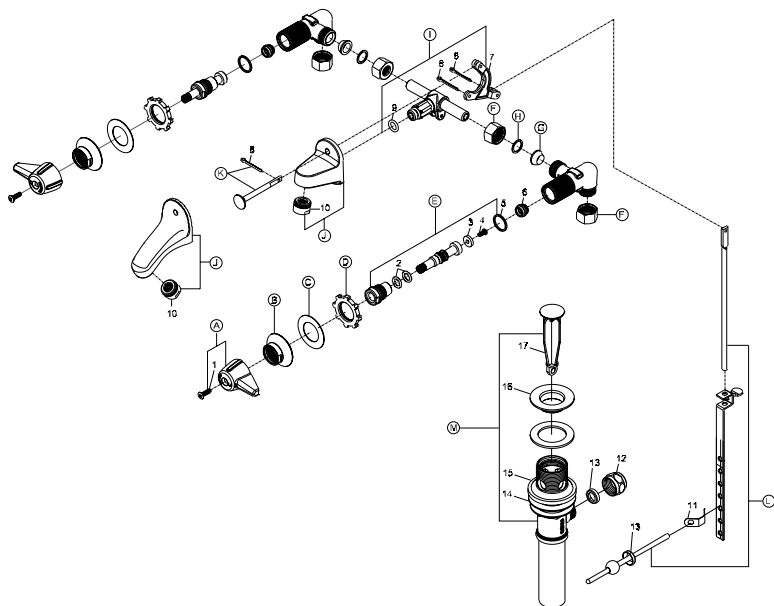
FINISH WARRANTY – RESIDENTIAL

PVD finishes installed in residential use applications are warranted not to corrode, tarnish or discolor for the life of the product.

1177-DA/1178-DA-Replacement Parts

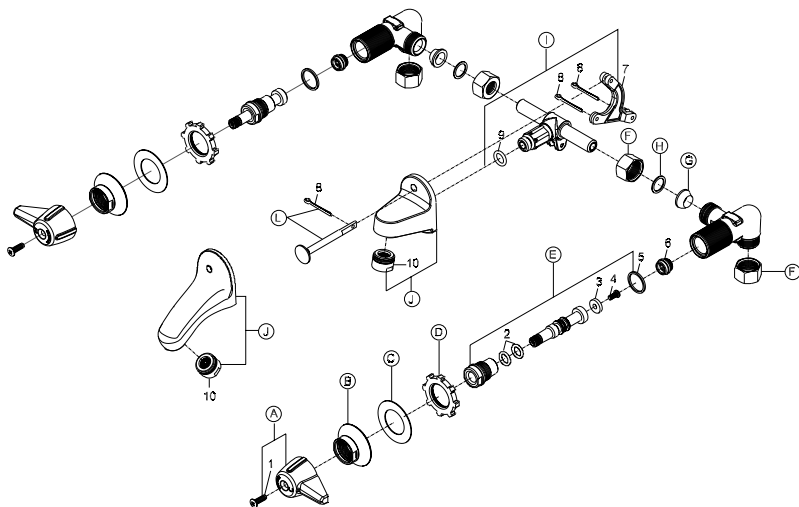
	ITEM#	DESCRIPTION
A	G-523-C,H	Canopy Handle-Cold, Hot
B	510	Escutcheon
C	X491-U	Gasket (12 Pcs Per Pack)
D	X53-AZ	Locknut (6 Pcs Per Pack)
E	G-458-KR, KL	Cold, Hot Stem Assembly
F	X4015	Coupling Nut (4 Pcs Per Pack)
G	X954-A	Rubber Washer (10 Pcs Per pack)
H	X22	Brass Washer (6 Pcs Per Pack)
I	U-2171-A	Center Tee with Rocker Arm
J	SU-511-A	Shelf Back Spout With Aerator (For 1177-DA)
J	SU-2136-FA	Slant Back Spout With Aerator (For 1178-DA)
K	G-21	Pop-Up Rod & Cotter Pin
L	CS-43008	Lower Pull Rod Group W/ Ball Lever Rod
M	SU-1109	Pop-up Drain less pull rod & bracket
1	X107-F	Handle Screw (25 Pcs Per Pack)
2	X1038-453	O-Ring (25 Pcs Per Pack)
3	X901-WNN	Seat Washer (25 Pcs Per Pack)
4	X104	Seat Washer Screw (25 Pcs Per Pack)
5	X193-LBN	Gasket (25 Pcs Per Pack)
6	XPF-263-B	Replacement Seat (4 Pcs Per Pack)
7	2126-A	Rocker Arm
8	X194	Cotter Pin (6 Pcs Per Pack)
9	X1038-IN	O-Ring (10 Pcs Per Pack)
10	CS-49013	1.5 GPM Aerator (Male)
10	CS-49011	1.0 GPM Aerator (Male) (For E1.0 Suffix)
10	CS-49009	0.5 GPM Aerator (Male) (For E0.5 Suffix)
11	X195-C	Clip (6 Pcs Per Pack)
12	192-NBB	Ball Lever Nut
13	X409-PT	Ball Lever Packing (12 Pcs Per Pack)
14	X51-D	Washer (10 Pcs Per Pack)
15	X994-1109	Mac Washer (4 Pcs Per Pack)
16	2056-SPT1109	Top Flange
17	G-2115-TP	Stopper & Guide

Product Diagram



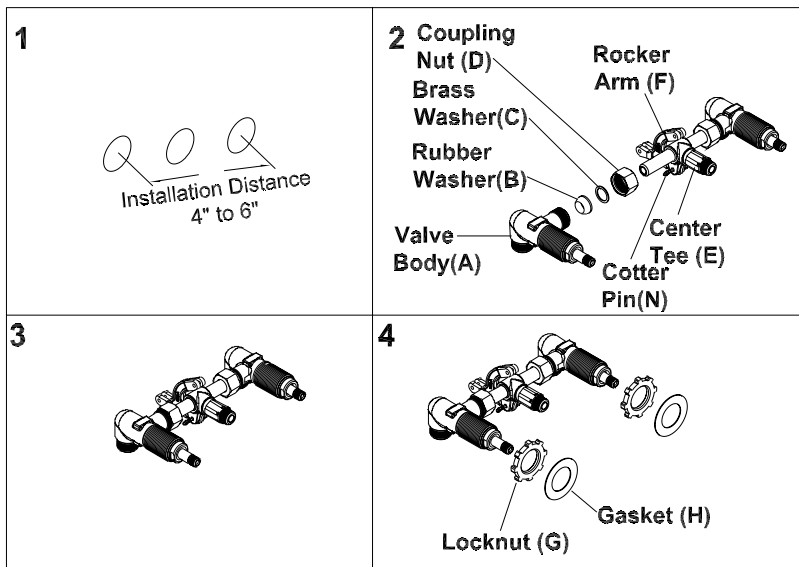
1177-A/1178-A-Replacement Parts

	ITEM#	DESCRIPTION
A	G-523-C,H	Canopy Handle-Cold, Hot
B	510	Escutcheon
C	X491-U	Gasket (12 Pcs Per Pack)
D	X53-AZ	Locknut (6 Pcs Per Pack)
E	G-458-KR, KL	Cold, Hot Stem Assembly
F	X4015	Coupling Nut (4 Pcs Per Pack)
G	X954-A	Rubber Washer (10 Pcs Per pack)
H	X22	Brass Washer (6 Pcs Per Pack)
I	U-2171-A	Center Tee with Rocker Arm
J	SU-511-A	Shelf Back Spout With Aerator (For 1177-A)
J	SU-2136-FA	Slant Back Spout With Aerator (For 1178-A)
1	X107-F	Handle Screw (25 Pcs Per Pack)
2	X1038-453	O-Ring (25 Pcs Per Pack)
3	X901-WNN	Seat Washer (25 Pcs Per Pack)
4	X104	Seat Washer Screw (25 Pcs Per Pack)
5	X193-LBN	Gasket (25 Pcs Per Pack)
6	XPF-263-B	Replacement Seat (4 Pcs Per Pack)
7	2126-A	Rocker Arm
8	X194	Cotter Pin (6 Pcs Per Pack)
9	X1038-IN	O-Ring (10 Pcs Per Pack)
10	CS-49013	1.5 GPM Aerator (Male)



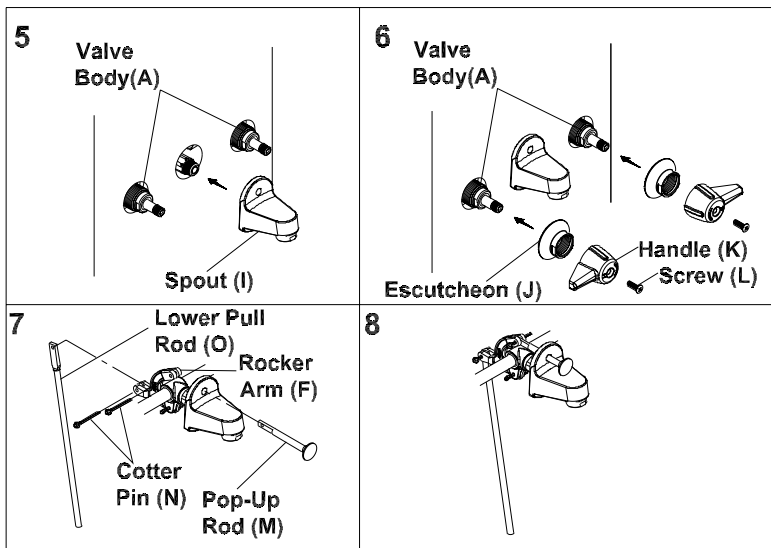
Faucet Installation

1. Measure installation distance. This faucet can be installed on center to center distance from 4" to 6". For 4" centers installation cut off 3/8" from each end of center tee (E).
2. Assemble cold valve body (A) as shown. Place coupling nut (D), brass washer (C) and rubber cone washer (B) with larger end towards the center tee (E). Tighten the coupling nut to cold valve body (A). Install rocker arm (F) to center tee (E) with the help of cotter pin (N) (For 1177-DA, 1178-DA).
3. Install hot valve body (A) same way.
4. Install locknuts (G) down full length of each valve body (A). place gasket (H) on valve bodies (A).



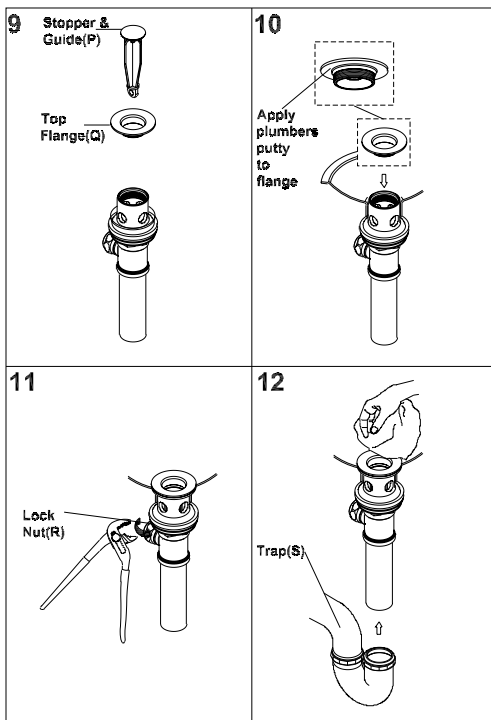
Faucet Installation

5. Slid the assemble through mounting hole. Apply plumbers putty to the back of the spout (I). Thread spout (I) to the center tee (E). Ensure o-ring does not get nicked.
6. Apply plumbers putty underneath of escutcheons (J). Thread escutcheons (J) on to the valve bodies (A). Install handles (K) to the valve bodies (A) with the help of screws (L). Adjust locknut of both sides from the back of mounting hole to fix the valve bodies (A) on the mounting surface.
7. Install Pop-up Rod (M) and lower pull rod (O) to the rocker arm (F) with the help of cotter pins (N).
8. Check when pop-up rod (M) is pulled the lower pull rod (O) moves properly.



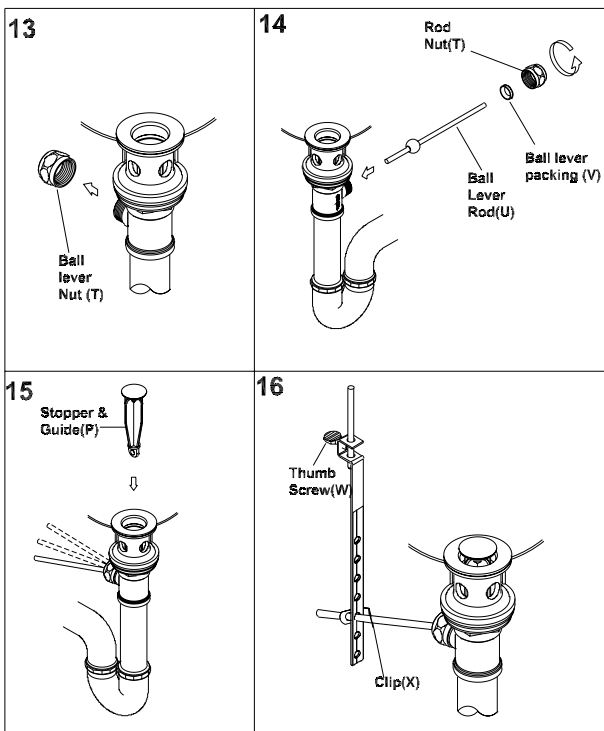
Pop-up Drain Installation

- Remove the stopper & guide (P) and top flange (Q) from the pop-up assembly.
- Apply adequate amount of plumbers putty underside of pop-up flange (Q). Then insert pop-up drain assembly from underside of the sink and secure the pop-up flange (Q) from the top.
- Rotate the drain body so that ball lever rod hole faces back of the faucet. Hold the pop-up assembly in place and tighten the locknut (R).
- Remove the excess putty. Connect the trap (S). (Check manufacturer's instructions for installation).



Pop-up Drain Installation

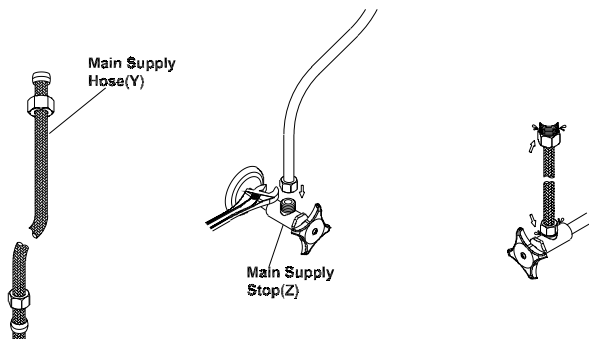
13. Remove ball lever nut (T).
14. Ensure the ball lever packing (V) is in place. Insert ball lever rod (U). Tighten the ball lever nut (T).
15. Push ball lever rod (U) down to open drain. Insert the pop-up stopper (P) carefully. Test if the pop-up stopper (P) is working properly.
16. Connect pop-up bracket to the ball lever rod by using clip (X). Tighten the thumbscrew (W) to connect pop-up bracket to lower pull rod.



Faucet Installation

17. Connect the valve bodies (A) to main supply hose (Y). Connect the supply stops (Z) to the main supply hose (Y) (left is hot water supply and right is cold water supply). Make sure main supply hose (Y) are securely tighten. Do not overtighten. Turn on water. Check for any leaks. Make sure all the connections are secure. Remove aerator. Open the handles (K). Flush and allow water to run at full flow for at least one minute. Close the handles. Replace aerator.

17



For more care information or trouble shooting inquiries about your Central Brass product, please see the contact information on the back page.

Central Brass

C O M P A N Y

A Division of Pioneer Industries, Inc.

6892 Snowville Road | Brecksville, Ohio 44141
Telephone: (800) 321-8630 | (216) 883-0220 | Fax: (800) 338-9414
Hours: M - F, 7:30am to 5:00pm EST
www.centralbrass.com