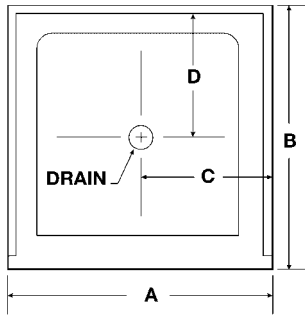
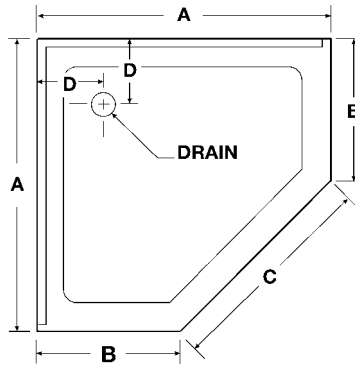


Shower Floors Installation Instructions

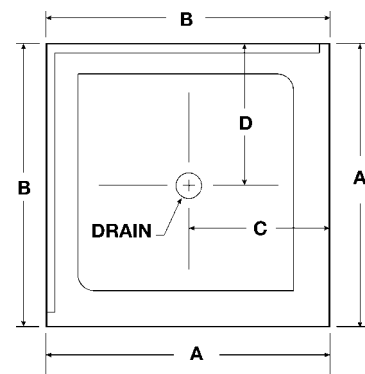
Swanstone Solid Surface and Veritek™ Shower Floors



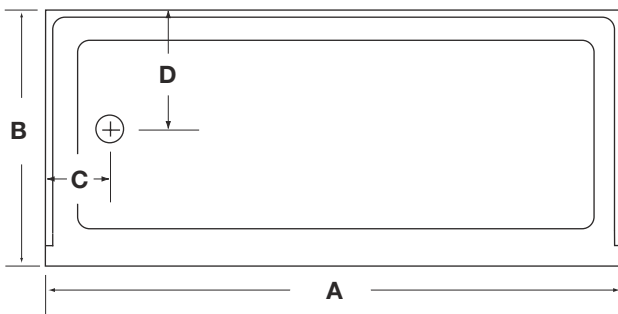
SINGLE THRESHOLD



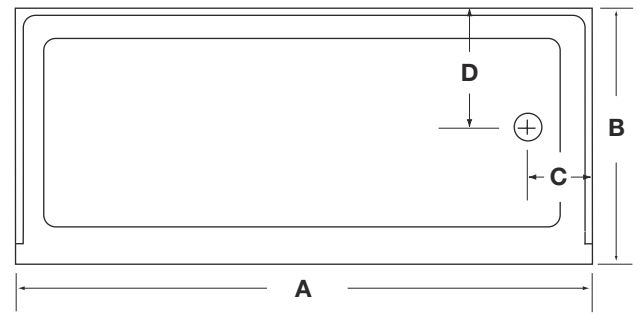
NEO ANGLE THRESHOLD



DOUBLE THRESHOLD



**RETROFIT THRESHOLD
(LEFT HAND DRAIN)**



**RETROFIT THRESHOLD
(RIGHT HAND DRAIN)**

MODELS	NORMAL SIZE	ROUGH-IN DIMENSIONS			
		A	B	C	D
R-3232 & SS-3232	32" x 32"	32 3/8"	32 3/16"	16 3/16"	16 3/16"
R-3248 & SS-3248	32" x 48"	48 3/8"	32 3/16"	24 3/16"	16 3/16"
R-3260 & SS-3260	32" x 60"	60 3/8"	32 3/16"	30 3/16"	16 3/16"
R-3260 L & SS-3260 L - Retrofit (left drain)	32" x 60"	60 3/8"	32 3/16"	8 3/16"	15 3/16"
R-3260 R & SS-3260 R - Retrofit (right drain)	32" x 60"	60 3/8"	32 3/16"	8 3/16"	15 3/16"
R-3442 & SS-3442	34" x 42"	42 3/8"	34 3/16"	21 3/16"	17 3/16"
R-3448 & SS-3448	34" x 48"	48 3/8"	34 3/16"	24 3/16"	17 3/16"
R-3454 & SS-3454	34" x 54"	54 3/8"	34 3/16"	27 3/16"	17 3/16"
R-3460 & SS-3460	34" x 60"	60 3/8"	34 3/16"	30 3/16"	17 3/16"
R-3636 & SS-3636	36" x 36"	36 3/8"	36 3/16"	18 3/16"	18 3/16"
R-4236 & SS-4236	42" x 36"	36 3/8"	42 3/16"	18 3/16"	21 3/16"
R-4242 & SS-4242	42" x 42"	42 3/8"	42 3/16"	21 3/16"	21 3/16"
R-DTF & SS-DTF Double Threshold	36" x 36"	36 1/16"	36 1/16"	18 3/16"	18 3/16"
R-36NEO & SS-36NEO Neo Angle	36" x 36"	36 1/8"	18 3/16"	25 1/8"	12 3/16"
R-38NEO & SS-38NEO Neo Angle	38" x 38"	38 1/8"	20 3/16"	25 1/8"	12 3/16"
FTS-3738 & STS-3738 - Transfer Shower	37" x 38"	38 3/8"	37 3/16"	19"	18 1/2"



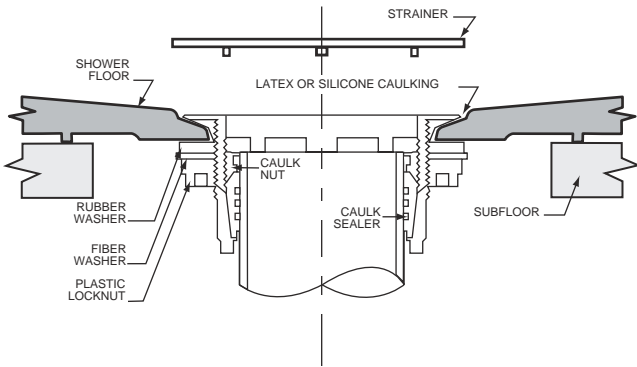
INSTALLATION TIPS

- Read instructions carefully and familiarize yourself with the parts.
- Be certain shower floor is correct size and in good condition before beginning installation.
- Make sure hole in subfloor or slab is large enough to accommodate drain and will coincide with the hole in the shower floor. Hole should be 6" in diameter.
- Make sure shower floor is level and all feet of the shower floor are making firm contact with the subfloor. It may be necessary to shim under the shower floor for best overall subfloor contact. For a more stable installation, it is suggested that the shower floor be nested in a bed of mortar-type material (Quikrete). Improper installation will void the warranty.
- Finished walls may be tiled-in over integral flanges of shower floor.

LIMITED **Lifetime**
WARRANTY

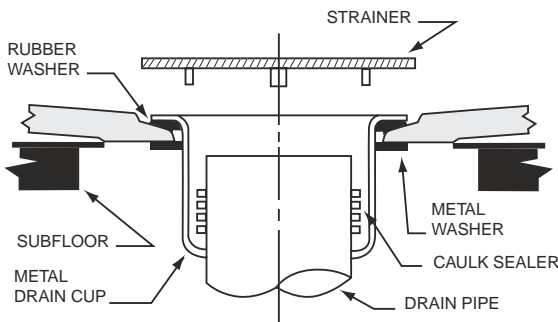
Plastic Self-Caulking Type Drain

Install drain to the shower floor. Make sure latex or silicone caulking (not provided) is applied to the underside of drain body flanges and secure it as shown. Do not use oil base caulking for any plastic type drain. May cause drain to break or distort.

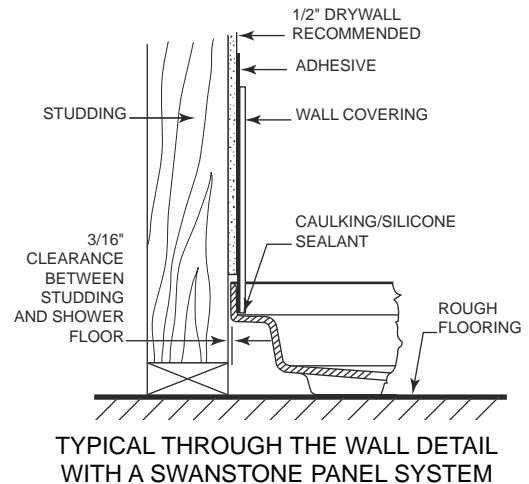
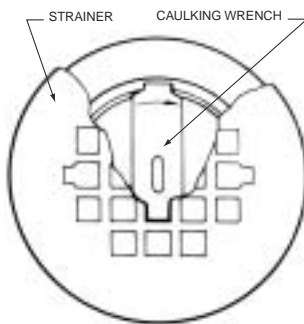


Pressed-In Drain

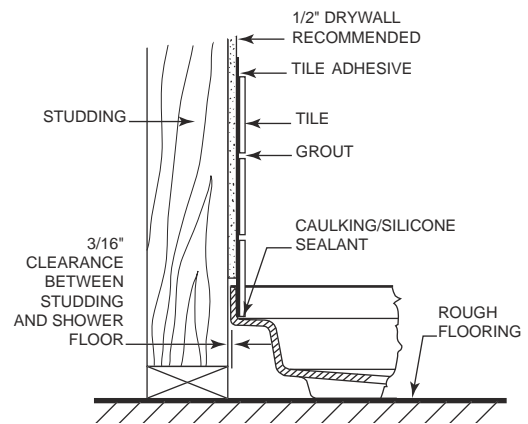
Install shower floor by sliding metal drain cup over drain pipe. Slide caulk sealer over drain pipe. Complete installation by snapping strainer into place.



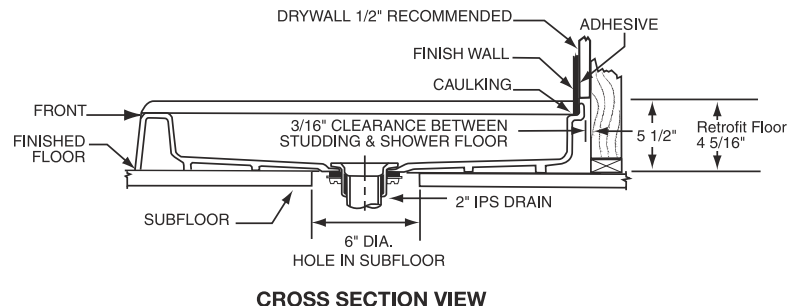
FOR SELF-CAULKING (SPEEDY SEAL) — Using the caulking wrench provided, screw in caulking nut (clockwise) until it is tight enough to compress sealer. Install strainer by snapping it in the drain body.



TYPICAL THROUGH THE WALL DETAIL WITH A SWANSTONE PANEL SYSTEM



TYPICAL THROUGH THE WALL DETAIL WITH AN ALTERNATIVE WALL COVERING APPLICATION



CROSS SECTION VIEW

How To Care For Your Swan or Swanstone Shower Floor

Swan and Swanstone are uniquely impervious throughout their entire thickness. They maintain their beauty in the most active environments and resist stress, thermal cracking and peeling. Use standard household liquid cleaning agents. No surface coating to wear through. Same material throughout.