

## INSTALLATION INSTRUCTIONS

### THANK YOU FOR CHOOSING KALLISTA

We appreciate your commitment to KALLISTA quality products. Please take a moment to review this manual before you install your KALLISTA product. If you encounter any installation or performance problems, please do not hesitate to contact us at the phone number listed at the bottom of the page.

### IMPORTANT INFORMATION

- Observe all local plumbing and building codes.
- KALLISTA reserves the right to make revisions in the design of products without notice, as specified in the Price Book.

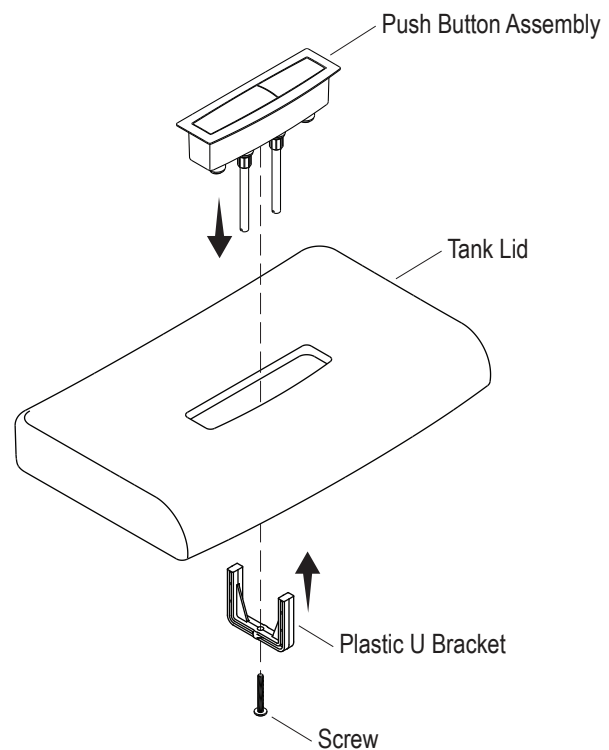
### TOOLS AND MATERIALS



Assorted  
Screwdrivers

### INSTALLATION

- Remove the tank lid from the toilet.
- Insert the push button assembly through the slot in the tank lid.
- Secure the push button assembly to the tank lid with the plastic U bracket and the screw.



## INSTALLATION INSTRUCTIONS

### ADJUSTMENT

#### Large Push Button Adjustment

- Replace the tank lid on the toilet.
- Press the large push button to flush the toilet.
- If the flush is satisfactory, proceed to “Small Push Button Adjustment” section.
- If toilet does not flush completely, or the water runs continuously or starts and stops by itself, remove the tank lid.
- Loosen large push button lock nut.
- If toilet does not flush completely, unscrew the large button push button rod slightly to lengthen it. Replace the tank lid and flush. Repeat adjustment until the flush is acceptable, tighten the locknut.
- If the water runs continuously or starts and stops by itself, screw in the large button push button rod slightly to shorten it. Replace the tank lid and flush. Repeat adjustment until the flush is acceptable, tighten the locknut.

#### Small Push Button Adjustment

- Press the small push button to flush the toilet.
- If toilet does not flush completely, or the water runs continuously or starts and stops by itself, remove the tank lid.
- Loosen small push button lock nut.
- If toilet does not flush completely, unscrew the small button push button rod slightly to lengthen it. Replace the tank lid and flush. Repeat adjustment until the flush is acceptable, tighten the locknut.
- If the water runs continuously or starts and stops by itself, screw in the small button push button rod slightly to shorten it. Replace the tank lid and flush. Repeat adjustment until the flush is acceptable, tighten the locknut.

