

Product Instructions

viEGA

Viega® Manifold Cabinet

The manifold cabinets are designed for recess mounting and are height and depth adjustable. The sidewalls and top contain knockouts for piping and electrical connections with the bottom of the cabinet left open to make connecting the tubing to the manifold easier. The cabinets are made of galvanized steel and come finish painted. A Lock Assembly (part number 15217) is available and can be purchased separately.

Site Prep

- Wall opening for the cabinet should be $\frac{1}{8}$ " to $\frac{1}{4}$ " larger than the box
- Minimum wall depth is $4\frac{1}{2}$ "
- Refer to chart for framing dimensions:

Part Number	Outside Width	Outside Height
15800	22 $\frac{5}{8}$ "	28" - 31"
15801	28 $\frac{3}{8}$ "	28" - 31"
15802	46"	28" - 31"

Note: Add $\frac{1}{8}$ " to $\frac{1}{4}$ " to above dimensions when framing.

Manifold Cabinet Preparation

1. Remove the manifold cabinet from its packaging.
2. Remove the front door and the door frame.
3. Remove the slide-out bottom kick plate.
4. Remove the knockouts that you plan to use.
- 4a. The manifold cabinet can be drilled with a drill bit in the event the knockouts do not align with manifold piping. Be sure to remove any sharp edges or burrs left behind after drilling.
5. Loosen the leg mounting hardware.

Note: Be sure the manifold supply/return piping does not contact the cabinet as it enters or exits the cabinet. If the piping comes into contact with the cabinet the sheet metal should be trimmed.

6. Using an $\frac{1}{8}$ " drill bit, drill the metal enclosure for the mounting screws (typically this would be done top and bottom of each side). See Figure 1

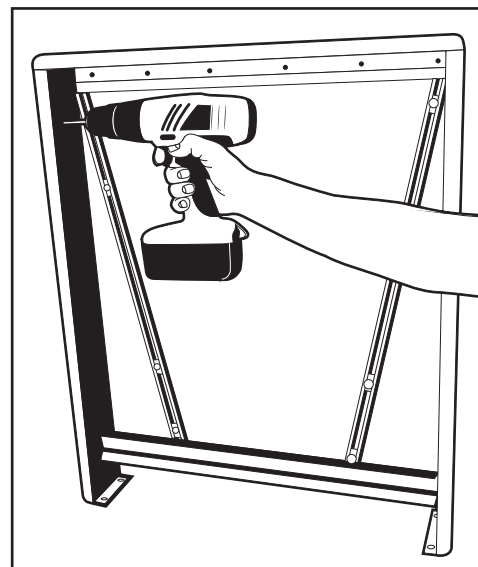


Figure 1

7. Drill the framing members to accommodate the manifold piping. (Follow local building codes when drilling or notching.)

Mounting the Cabinet

1. Verify the framed opening is the proper size.
2. Slide the cabinet into the wall cavity.
3. Lift up the cabinet so that the top of the box is flush with the top of the wall opening. If applicable, slide the legs down until they rest on the floor and tighten the wing nuts.
4. Keep the front edge of the box even with the framing members.
5. Using $1\frac{1}{4}$ " screws, attach the cabinet to the framing members in the previously drilled holes.

Product Instructions

viega

Attaching the Manifold

1. Insert the manifold into the cabinet.
2. Using the hangers provided with the manifold, attach the manifold to the cabinet rails. See Figure 2

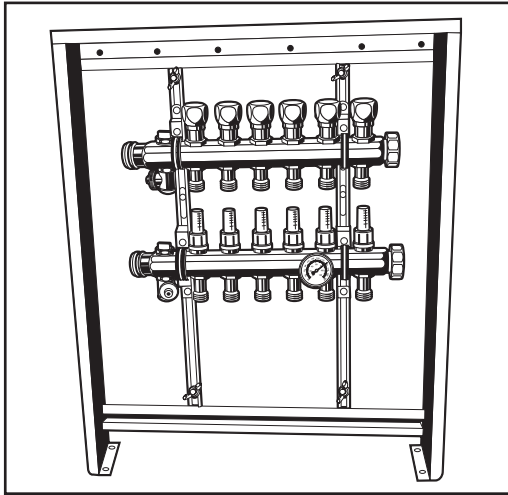


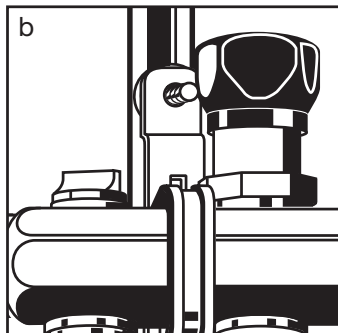
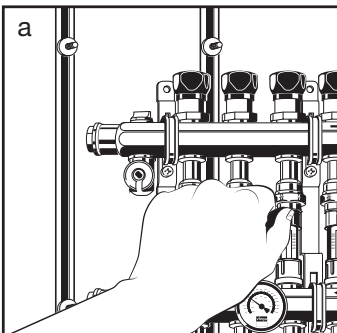
Figure 2

If using a manifold with a 0-10V powerhead:

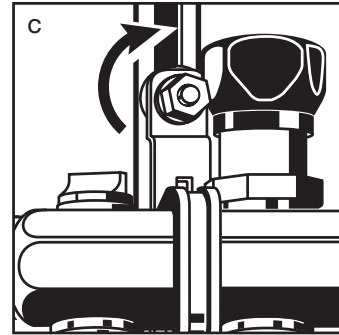
Manifold spacers should be used in conjunction with Viega's 1/4" stainless steel manifolds (shutoff/balancing or shutoff/balancing/flow meter), 0-10VDC powerheads and manifold cabinets. All other products and applications do not require the use of these spacers.

Installing 1/4" nylon spacers

- a. Install the four spacers by placing them over the mounting bolts within the manifold cabinet.
- b. Align and place the manifold bracket on top of the four spacers and mounting bolts.



- c. Install all four nuts and tighten.



3. Adjust the location of the manifold with the adjustable rails, making sure the manifold aligns with the holes on the side of the manifold cabinet. If a zone control is to be used; position your manifold to the right, leaving room for the zone control. See Figure 2a

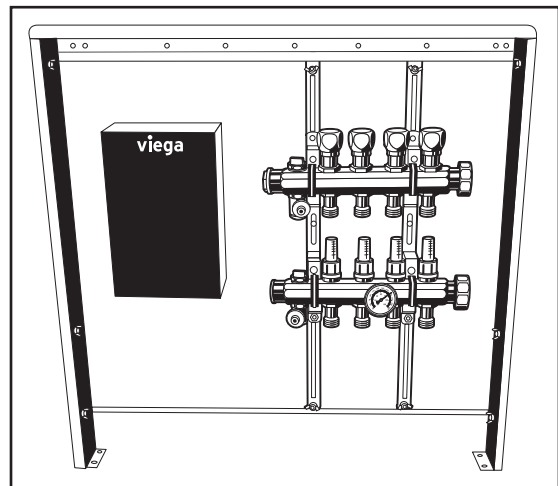


Figure 2a

4. Once the location of the manifold has been confirmed fully tighten the mounting hardware.
5. Connect the inlet and outlet piping to the manifold.

Product Instructions

viega

Attaching the Door Frame

1. After locating the door frame brackets, turn them 90° so they are facing towards the enclosure.
2. Slide the door frame brackets towards the manifold cabinet studs until they attach onto the manifold cabinet. See Figure 3

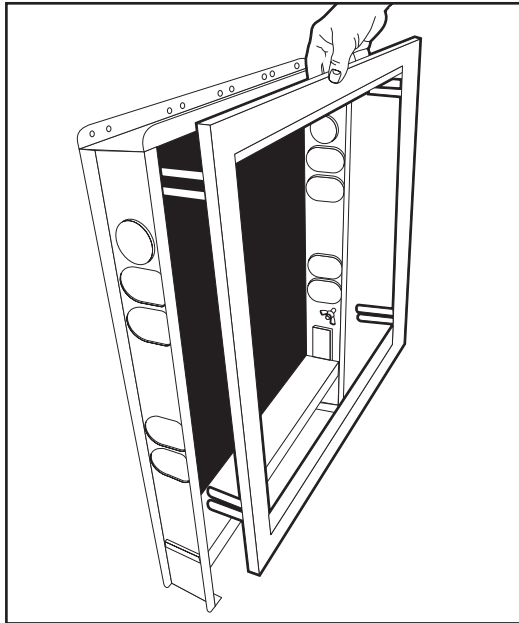


Figure 3

3. Push the door frame in so that it is even with the front of the manifold box and is flush with the wall surface.
4. Verify all heating, electrical and mounting hardware connections are properly tightened.

Installing the Lock Assembly

(if applicable, locks are sold separately)

1. Place the door face down on a flat surface.
2. Locate the retaining wedge on the back side of the knob.
3. Insert the blade of a small screwdriver under the lip of the retaining wedge and pry the wedge out. See Figure 5

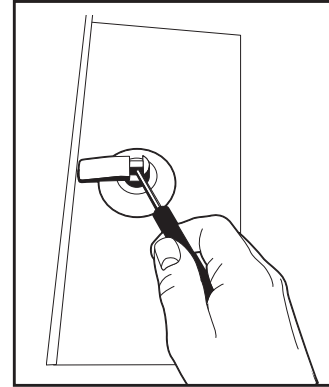


Figure 5

4. Stand the door upright.
5. With a small pair of pliers squeeze the two triangular tabs together while simultaneously pushing the back of the knob out the front of the cabinet door.
6. Slide the lock cylinder through the front of the door. See Figure 6

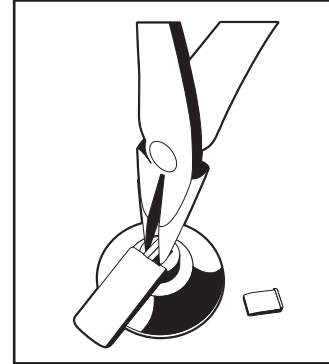


Figure 6

7. Be sure to position the lock in the upright position and attach the plastic nut on the back side of the lock cylinder. See Figure 7

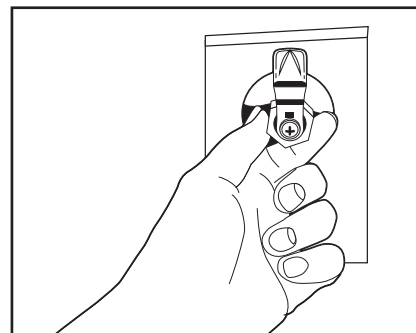


Figure 7

Product Instructions

viega

8. Using a pair of pliers lightly tighten the plastic nut.

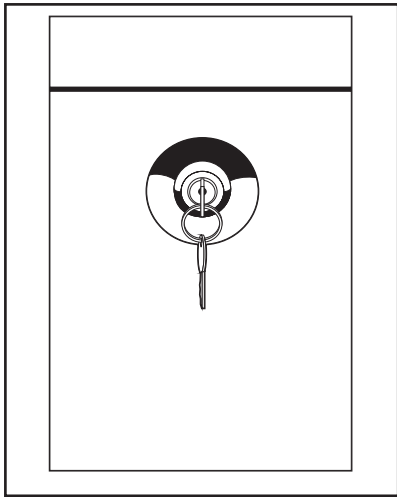


Figure 8

Note: Manifold cabinet (part number 15802) requires 2 lock sets be used.

Installing the Door

1. Tilt the door at a 45° angle.
2. Insert the bottom of the door into the bottom of the door frame. See Figure 4

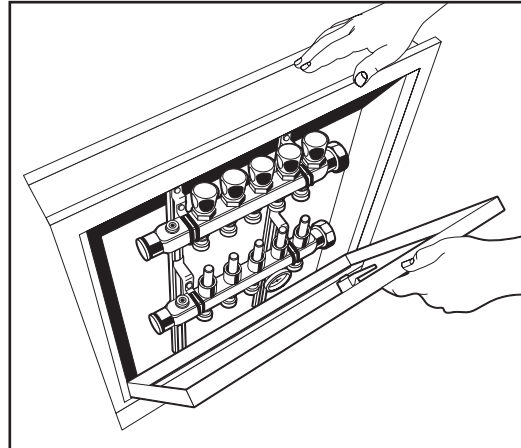


Figure 4

3. Push the top portion of the door flush into the frame and turn the knob or lock to secure the door.
4. Reinstall the slide-in bottom kick plate.

Dimensional Information

1½" Stainless Steel Manifold Dimensional Information							
Part No.	Interior box dimension	Exterior box dimension	1½" stainless steel manifold with no accessories	1½" stainless steel manifold with ball valve set	1½" stainless steel manifold with ball valve set and adapters for flow through	1½" stainless steel Manifold with no Accessories and Zone Control	1½" stainless steel manifold with ball valve set and Zone Control
15800	21"	22½"	2-6 outlet manifold	2-5 outlet manifold	2-4 outlet manifold	2 outlet manifold	N/A
15801	27"	28¾"	2-9 outlet manifold	2-8 outlet manifold	2-7 outlet manifold	2-4 outlet manifold	2-3 outlet manifold
15802	45"	46"	2-12 outlet manifold	2-12 outlet manifold	2-12 outlet manifold	2-12 outlet manifold	2-12 outlet manifold

Notes: If use of a zone control is necessary, hold the manifold to the right and install the zone control on the left side of the manifold cabinet. Use of a zone control in the manifold cabinet is not compatible with flow through applications.

1" Copper Manifold Dimensional Information				
Part No.	Interior box dimension	Exterior box dimension	1" Copper manifold No Accessories	1" copper manifold with ProPress ball valve and end cap
15800	21"	22½"	2,3,4 outlet manifold	N/A
15801	27"	28¾"	2,3,4 outlet manifold	2,3,4 outlet manifold
15802	45"	46"	2,3,4 and 12 outlet manifold	2,3,4 and 12 outlet manifold

Notes: Copper manifolds are available in 2,3,4, and 12 outlet configurations. Manifold brackets are sold separately for copper manifolds.

This document subject to updates. For the most current Viega technical literature please visit www.viega.us.
Click Services -> Click Electronic Literature Downloads -> Select Product Line -> Select Desired Document

Para ver las instrucciones en español visite www.viega.us -> Services -> Electronic Literature Downloads -> French and Spanish Documents -> Documento Deseado

Pour obtenir des instructions en français visite www.viega.us -> Services -> Electronic Literature Downloads -> French and Spanish Documents -> Document Désiré

Viega LLC, 301 N. Main, 9th Floor • Wichita, KS 67202 • Ph: 800-976-9819 • Fax: 316-425-7618