

Installation/Care/Use Manual

Semi-Recessed Wall Mount Fountain with FLEXI-GUARD®



Installer

To assure you install this model easily and correctly, PLEASE READ THESE SIMPLE INSTRUCTIONS BEFORE STARTING THE INSTALLATION. CHECK YOUR INSTALLATION FOR COMPLIANCE WITH PLUMBING, ELECTRICAL AND OTHER APPLICABLE CODES. After installation, leave these instructions inside the fountain for future reference.

IMPORTANT

ALL SERVICE TO BE PERFORMED BY AN AUTHORIZED SERVICE PERSON

IMPORTANT! INSTALLER PLEASE NOTE.

THE GROUNDING OF ELECTRICAL EQUIPMENT SUCH AS TELEPHONE, COMPUTERS, ETC. TO WATER LINES IS A COMMON PROCEDURE. THIS GROUNDING MAY BE IN THE BUILDING OR MAY OCCUR AWAY FROM THE BUILDING. THIS GROUNDING CAN CAUSE ELECTRICAL FEEDBACK INTO A FOUNTAIN, CREATING AN ELECTROLYSIS WHICH CAUSES A METALLIC TASTE OR AN INCREASE IN THE METAL CONTENT OF THE WATER. THIS CONDITION IS AVOIDABLE BY USING THE PROPER MATERIALS AS INDICATED. ANY DRAIN FITTINGS PROVIDED BY THE INSTALLER SHOULD BE MADE OF PLASTIC TO ELECTRICALLY ISOLATE THE FOUNTAIN FROM THE BUILDING PLUMBING SYSTEM.

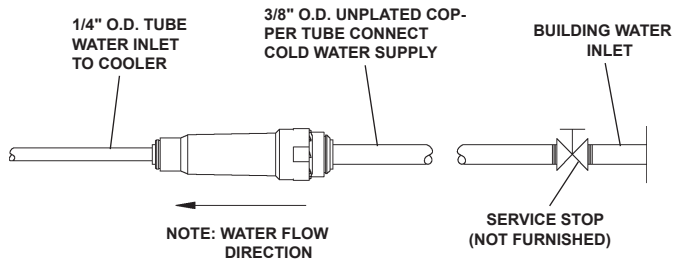


FIG. 1

OPERATION OF QUICK CONNECT FITTINGS

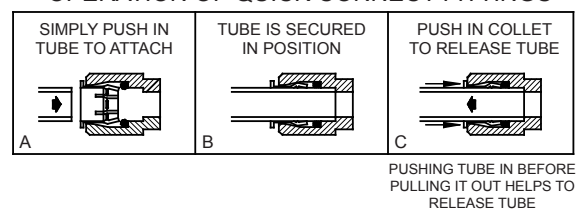


FIG. 2

LEGEND:

- A = RECOMMENDED WATER SUPPLY LOCATION, 3/8 O.D. UNPLATED COPPER TUBE CONNECT.**
- B = RECOMMENDED LOCATION FOR WASTE OUTLET, 1-1/4" O.D. DRAIN.**
- C = 1-1/4" TRAP NOT FURNISHED.**
- D = MOUNTING HOLES FOR BASIN HANGER STRAP.**
- E = MOUNTING HOLES FOR FOUNTAIN (VANDAL RESISTANT INSTALLATION ONLY).**
- F = MOUNTING HOLES FOR FOUNTAIN (EASY ACCESS INSTALLATION ONLY).**

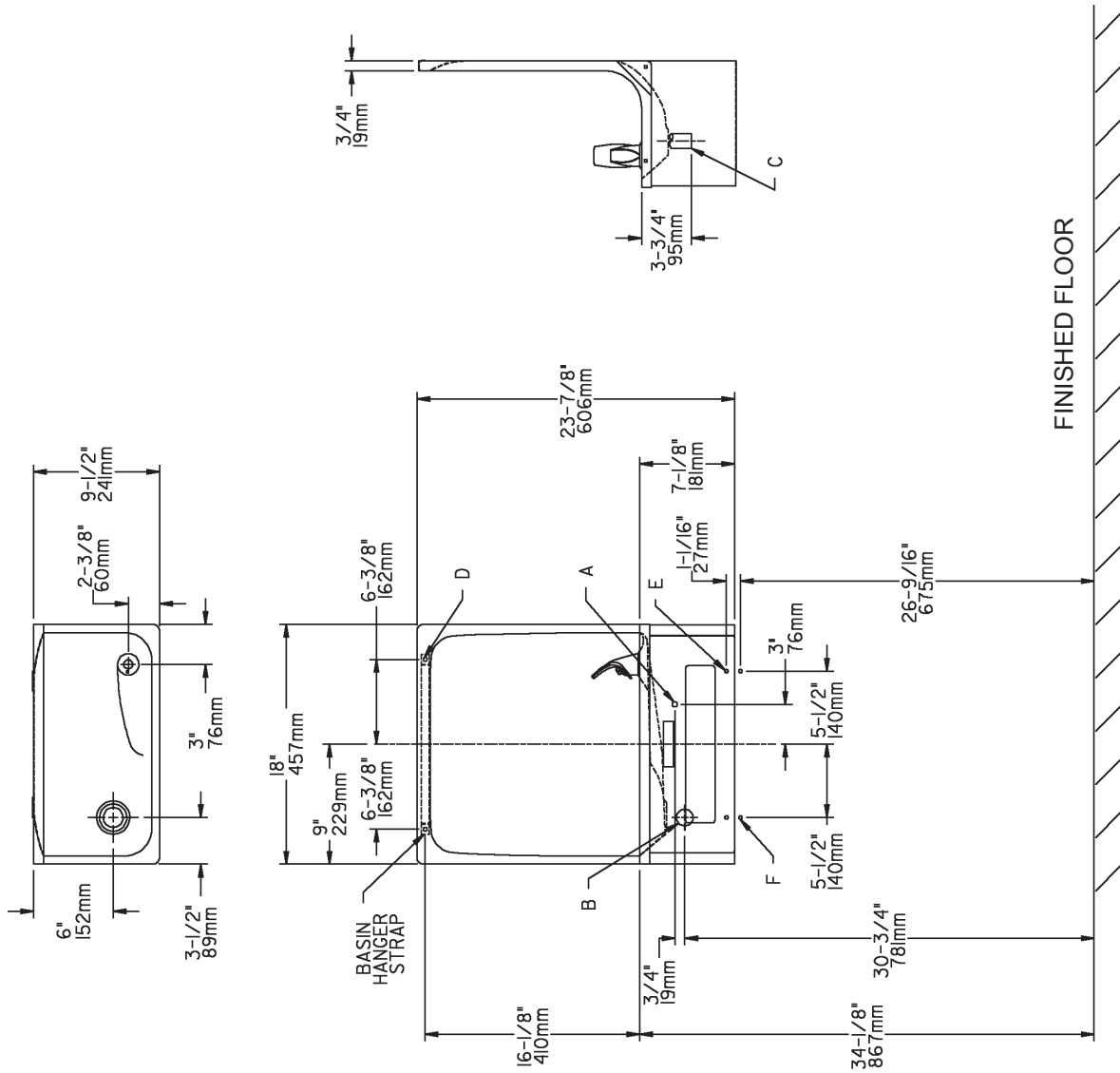


FIG. 3

INSTALLATION INSTRUCTIONS

1. **Connecting** lines to be unplated copper and thoroughly flushed to remove all foreign matter before connection to fountain.
2. **Make** water supply connections from service stop to the 3/8" O.D. unplated copper tube coming out of the strainer. Turn on water supply and check for leaks. Newly installed water supply line should be insulated after leak check is completed. **DO NOT SOLDER TUBES INSERTED INTO THE STRAINER AS DAMAGE TO THE O-RINGS MAY RESULT.**
3. **These** products are designed to operate on 20-105 PSI supply line pressure. If inlet pressure is above 105 PSI, a pressure regulator must be installed in the supply line. Any damage caused by reason of connecting these products to supply line pressures lower than 20 PSI or higher than 105 PSI is not covered by warranty.
4. **Check** stream height from bubbler. Stream height is factory set at 35 PSI. If supply pressure varies greatly from this, turn adjustment screw on the regulator (Item 2). Clockwise adjustment will raise stream height and counter-clockwise will lower stream height. For best adjustment stream should hit basin approximately 6-1/2" (165mm) from bubbler.

TROUBLE SHOOTING AND MAINTENANCE

1. **Orifice Assy:** Mineral deposits on orifice can cause water flow to spurt or not regulate. Mineral deposits may be removed from orifice with a small round file not over 1/8" diameter or a small diameter wire.
CAUTION: Do not file or cut orifice materials.
2. **Stream Regulator:** If orifice is free of material deposits, regulate flow according to instruction 4 stated above.
3. **Actuation of Quick Connect Water Fittings:** Cooler is provided with lead-free connectors which utilize an o-ring water seal. To remove tubing from the fitting, relieve water pressure, push in on the gray collar while pulling on the tubing (See Figure 2). To insert tubing, push tube straight into the fitting until it reaches a positive stop, approximately 3/4".

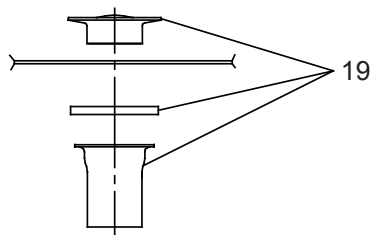
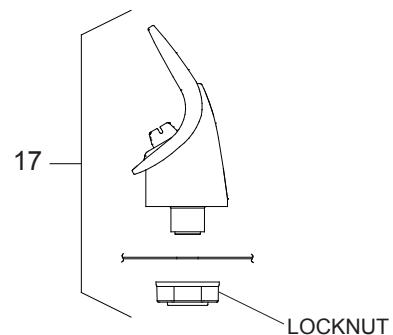


FIG. 4 DRAIN

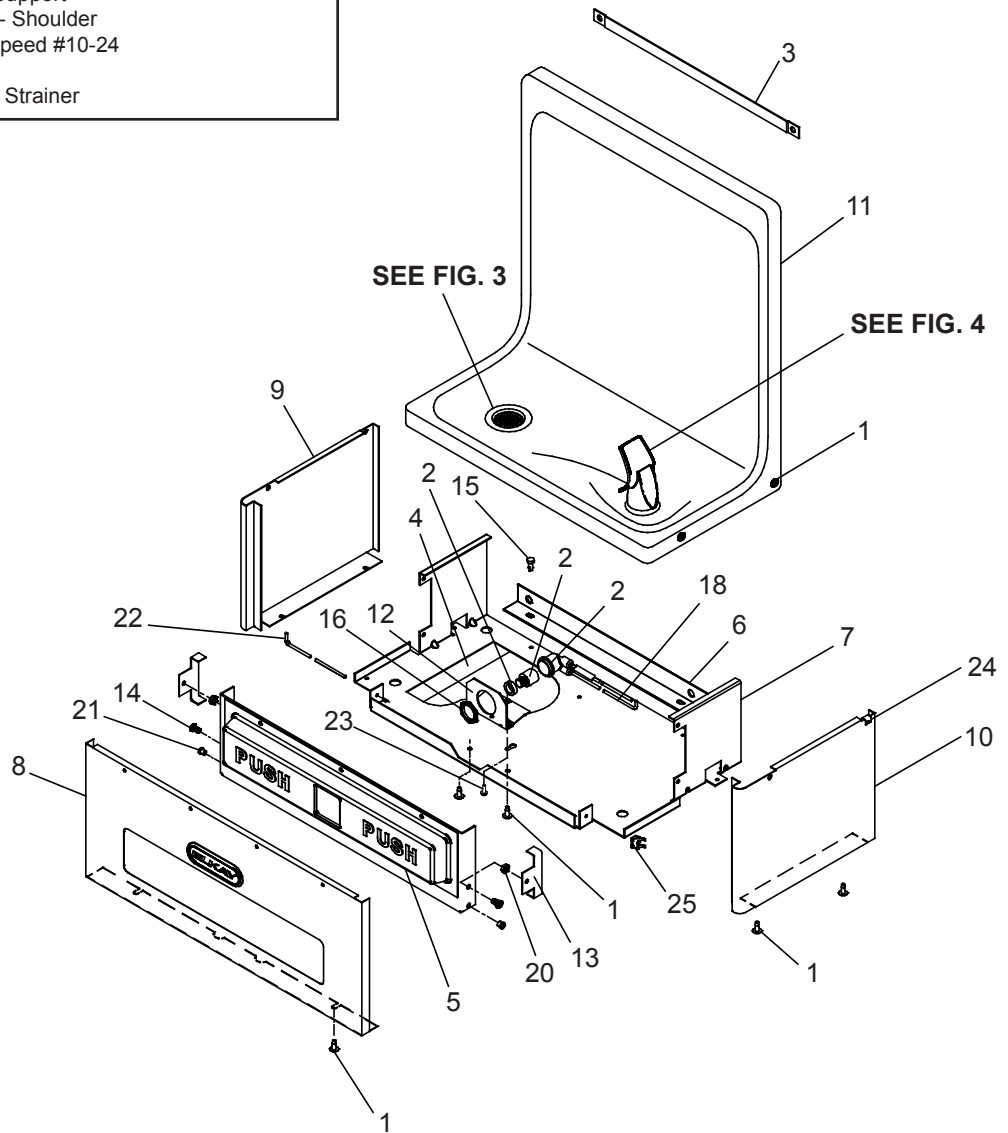


NOTE:
WHEN INSTALLING REPLACEMENT BUBBLER AND PEDESTAL, TIGHTEN LOCKNUT ONLY TO HOLD PARTS SNUG IN POSITION. DO NOT OVER TIGHTEN.

FIG. 5 BUBBLER ASSY

EDFP19C*B

PARTS LIST		
TEM NO.	PART NO.	DESCRIPTION
1	112627543890	Screw-#10-24 X .50 PHTC
2	98531C	Kit - Regulator/Holder/Nut
3	20415C	Basin Hanger Strap
4	21560C	Panel - Access
5	21708C	Push Bar Assy.
6	21710C	Bracket - Wall Mounting
7	22611C	Baseplate
8	22718C	Panel - Front
9	22905C	Panel - Left Hand Side
10	22907C	Panel - Right Hand Side
11	21222C	Basin
12	23003C	Bracket - Regulator Mounting
13	28959C	Bracket - Stop
14	37077001	Screw - #10-32 x .38 PHMS
15	40107001	Screw - #10-24 x .38 PHTC
16	40045C	Hex Nut 1-5/16
17	56073C	Bubbler Assy
18	56092C	Poly Tubing (Cut To Length)
19	98790C	Kit - Strainer/Ferrule/Tailpipe/Gasket Assy
20	70016C	Nut - Hex #10-32
21	50198C	Bushing - Nylon
22	70278C	Rod - Support
23	70935C	Screw - Shoulder
24	75547C	Nut - Speed #10-24
25	75555C	Clip
NS	55996C	In-Line Strainer



REPAIR SERVICE INFORMATION TOLL FREE NUMBER 1.800.260.6640
 FOR PARTS, CONTACT YOUR LOCAL DISTRIBUTOR OR CALL 1.800.834.4816
 ELKAY MANUFACTURING COMPANY • 2222 CAMDEN COURT • OAK BROOK, IL 60523 • 630.574.8484