



# SYMMONS® Elm™

## Roman Tub Faucet SRT-5570 Installation Brief



### Model Numbers

SRT-5570 Roman Tub Faucet

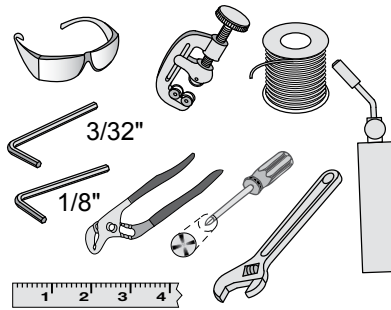
### Finish Options

- STN Satin Nickel
- SBZ Season Bronze
- Chrome (standard finish)

### Care and Cleaning

Clean finished area using mild soap or a non-abrasive cleaner and then quickly rinse with water. A non-abrasive wax may be used to preserve finish area.

### Tools & Materials



### Need Help?

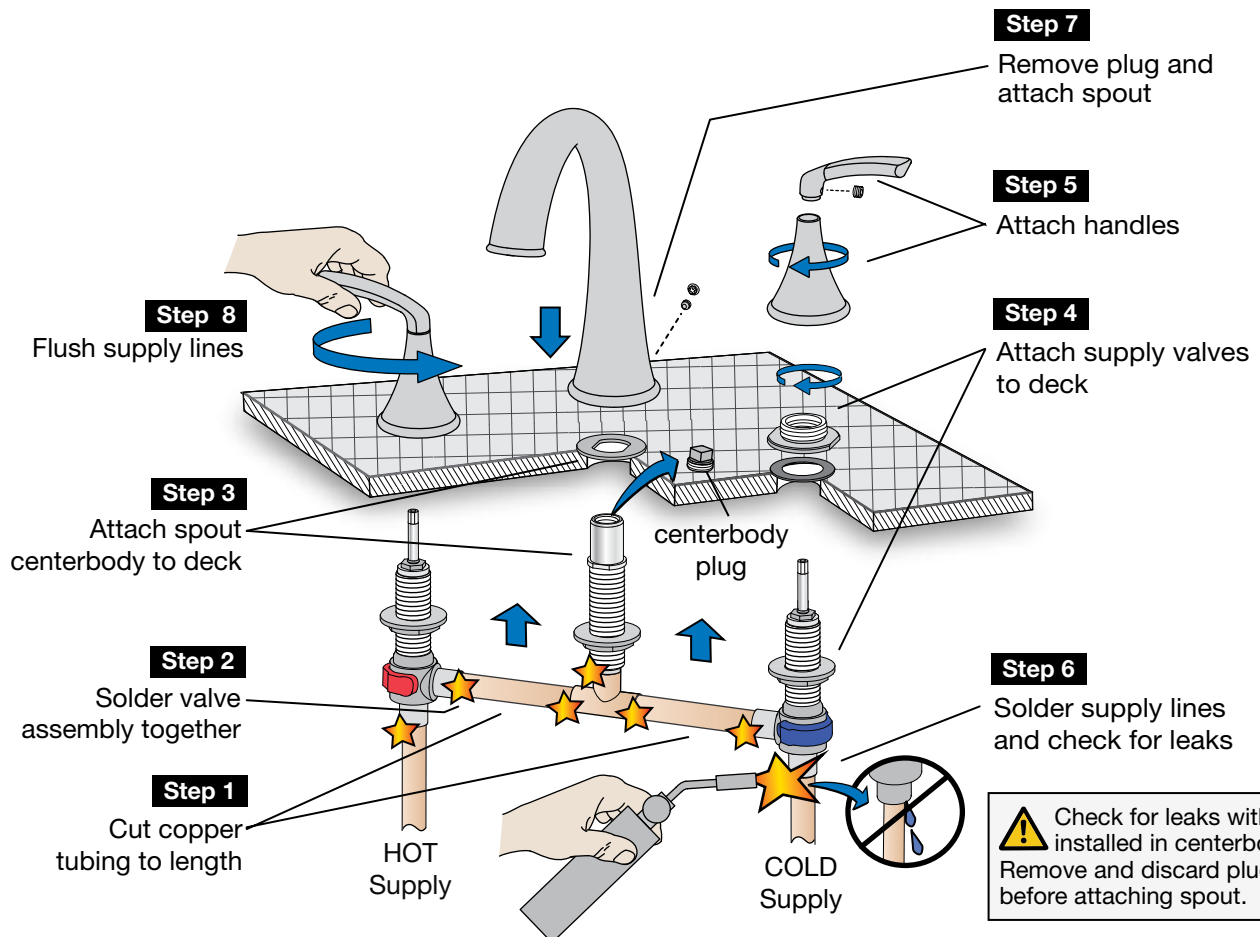
Contact Symmons customer service at (800) 796-6667, (781) 848-2250

Email: [customerservice@symmons.com](mailto:customerservice@symmons.com)  
Monday - Friday 7:30 am - 7:00 pm EST

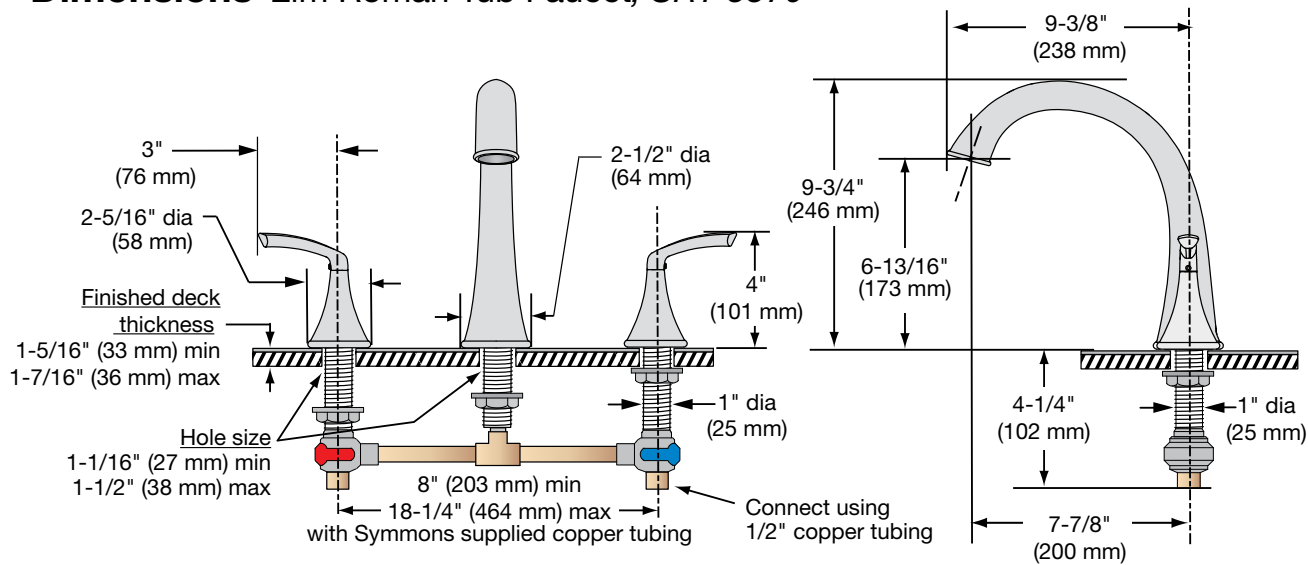
Please check Symmons website for technical help, the latest product information and warranty policy.

[www.symmons.com/service](http://www.symmons.com/service)

## Quick Install Guide Elm Roman Tub Faucet, SRT-5570

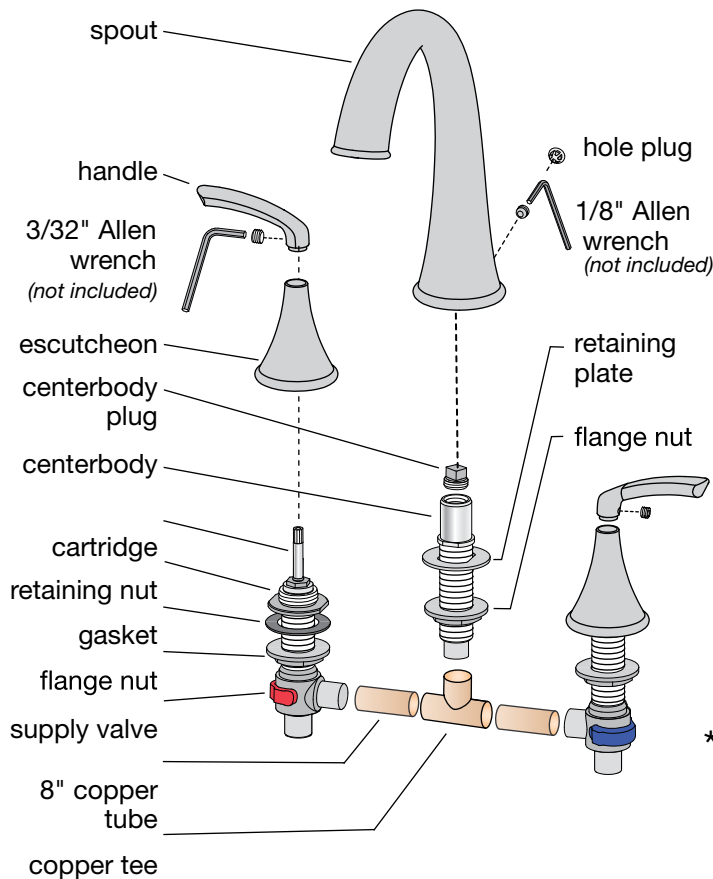


## Dimensions Elm Roman Tub Faucet, SRT-5570

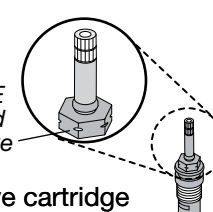


Dimensions subject to change without notice.

## Parts Assembly Elm Roman Tub Faucet, SRT-5570



### Replacement Parts

Part Number	Item
RL-143* <i>includes two handles</i>	Handle kit Qty handle (2) screw (2) escutcheon (2)
RL-142	Mounting kit, Qty retaining nut (2) washer (2) mounting nut (2)
KN-114E (hot) OFF = CW KN-113E (cold) OFF = CCW	 KN-113E identified by groove valve cartridge

\* Note: For faucets with an optional decorative finish, add appropriate suffix code letters to part numbers marked with an asterisk (\*) when ordering.

#### Ordering replacement parts:

Call Symmons customer service at (800) 796-6667, (781) 848-2250 M-F 7:30 am - 7:00 pm EST or check our website at [www.symmons.com](http://www.symmons.com) for a list of Symmons distributors.