

ME960-X SERIES FLEX-VENT INSTALLATION INSTRUCTIONS (OUTDOOR USE ONLY)

!!!WARNING!!!

READ AND UNDERSTAND ALL INSTRUCTIONS INCLUDED WITH THIS REPAIR KIT
RELIEVE ALL PRESSURE FROM SYSTEM BEFORE REMOVING VALVE FOR SERVICE

!WARNING!

Failure to follow these instructions or to properly install and maintain this equipment could result in an explosion and/or fire causing property damage and personal injury or death.

Marshall Excelsior equipment must be installed, operated, and maintained in accordance with federal, state, and local codes and MEC instructions. The installation in most states must also comply with NFPA 58 and NFPA 54 standards.

Only personnel trained in the proper procedures, codes, standards, and regulations of the LP-Gas industry should install and service this equipment.

A. Assembly Instructions

1. Install Vent Hose Clamps [3] over Flex-Vent [1] by sliding over one end.
2. Remove regulator vent screen from regulator body (not shown)
3. Connect 3/4" Swivel Fitting [2] to regulator vent outlet. Ensure vent screen is facing down and is the correct height (18" min) above grade.

NOTE: RegO brand second stage regulators have an air suppressor baffle incorporated into the regulator vent screen assembly. This suppressor baffle is designed to control air movement which helps stabilize regulator performance. When installing the Flex-Vent with a RegO regulator, the following steps must be taken:

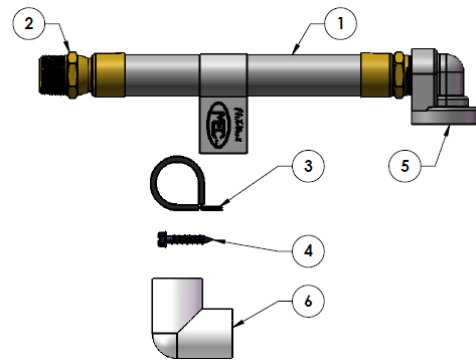
- a. Remove Vent Assembly [5] from Flex-Vent [1] and replace with PVC Elbow [6].
- b. Remove RegO vent suppressor/screen assembly from regulator and install into PVC Elbow [6] outlet.

4. Use self-tapping screws [4] to install vent hose clamps [3] on to structure.

NOTE: Installation of optional PVC Elbow [6] at regulator vent may be helpful for some applications.

B. Components List

1. Flex-Vent
2. Swivel Fitting
3. Hose Clamps:
ME960-24, ME960-36, ME960-48; Qty: 3
ME960-48; Qty: 4
ME960-120, ME960-120C; Qty: 6
4. Self-Tapping Screws:
ME960-24, ME960-36, ME960-48; Qty: 3
ME960-48; Qty: 4
ME960-120, ME960-120C; Qty: 6
5. Vent Assembly
6. PVC Elbow; 3/4" x 90°



Regulator Venting According to NFPA 58 (NFPA 58, 2011 edition)

6.8.1.6 The point of discharge from the required pressure relief device on regulating equipment installed outside of buildings in fixed piping systems shall be located no less than 3ft (1m) horizontally away from any building opening below the level of such discharge, and not beneath any building unless this space is well ventilated to the outside and is not enclosed for more than 50% of the its perimeter.

6.8.1.7 The point of discharge shall also be located no less than 5ft (1.5m) in any direction away from any source of ignition, openings into direct-vent (sealed combustion system) appliances, or mechanical ventilation air intakes.

NOTE: Flex-Vent meets the requirements of NFPA 58, 2011 sections 5.8.3 and 6.8.1.8

Marshall Excelsior Company

1506 George Brown Drive Marshall, MI 49068
Phone (269) 789-6700 Fax (269) 781-8340
www.marshallexcelsior.com