



Drop-In Kitchen Sink

KSSB-2522

KSSB-3322

KSDB-3322

KSLS-3322

KSLB-3322

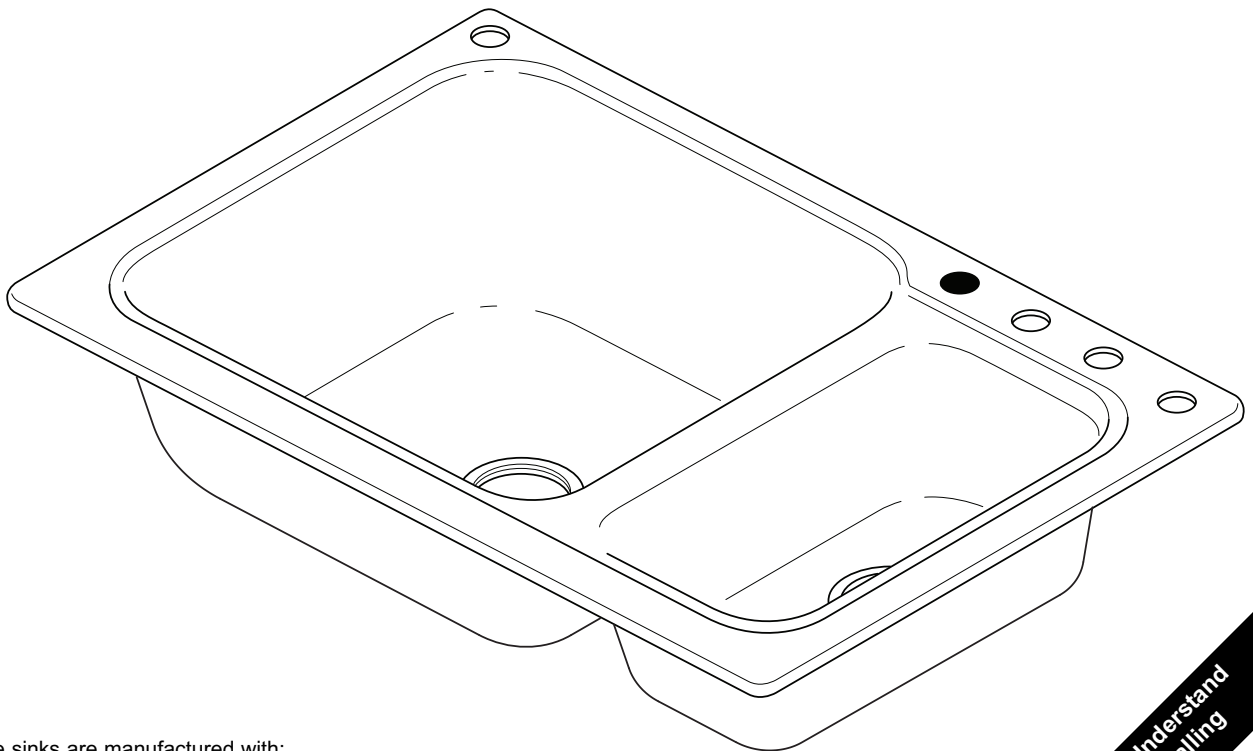
KSDB-2518

KSTB-4422

KSRB-18

BS-1515

- **Product Warnings**
- **Safety Guidelines**
- **Kit Contents**
- **Required Tools**
- **Preparation Tips**
- **Installation Procedure**
- **Cleaning & Maintenance**
- **Surface Repair**
- **Warranty Information**



All Swanstone sinks are manufactured with:

- one predrilled hole and
- four optional hole locations, marked on the underside of the sink, for customer drilled holes.

Refer to Page 6 for drilling instructions.

Register your warranty at www.swanstone.com.

**Read and Understand
Before Installing**

Form # 270-06-12

The Swan Assurance — if our product is properly installed and maintained, as stated in these instructions, it will not leak.

Remember – Safety First

IMPORTANT NOTICE

The Swan Corporation, the makers of the Swan products, cannot anticipate every possible circumstance that might involve a potential hazard during the installation of our product(s). The warnings and instructions in this installation guide are, therefore, not all-inclusive. If a tool, installation procedure, or work method that is not specifically recommended by The Swan Corporation is used, you must satisfy yourself that it is safe. You should also make sure that the Swan product(s) will not be damaged by the methods you choose. The Swan Corporation will not be held responsible for water damage of any kind in connection with the installation of one of our Swan drop-in kitchen or entertainment sinks.

WARNING

To avoid product damage, personal injury, or even possible death, carefully read, understand, and follow all the instructions in this installation guide before installing this product(s). Do not use cleaning fluids or operate power tools unless you read and understand the instructions and warnings in this and all other applicable labels or manuals. Proper use of tools and the products described in this guide is your responsibility.

WARRANTY

This product is covered by a Limited Lifetime Warranty. Refer to the Warranty section in this manual for complete details.

Save this manual for future reference.

Important information on cleaning, maintenance, and repair is contained within.

IMPORTANT NOTICE

IMPORTANT NOTICE: Indicates that equipment or property damage can result if instructions are not followed.



Read and Understand the Manual

It is the responsibility of any individual who installs or maintains this product to fully understand and follow proper installation and maintenance procedures. Be aware of the inherent dangers in the use of power tools when installing this product. Read and understand all Warnings, Cautions, and Important Notices in this manual.



Work Safely

DO NOT proceed if any doubt arises about the correct or safe method of performing anything found in this or other Swanstone manuals. The installation of this product can require using power tools. Do not use power tools without adequate training. If necessary, hire or consult a trained professional for expert assistance before continuing.



Use Proper Tools

Always use proper tools which are in good, working condition during the installation of the Swanstone products. Using tools other than those listed could adversely affect the integrity of floors, pipes, walls, or this product and could result in water damage or other damage to floors, pipes, walls, or other portions of your building or home.



Inspect Before Cutting

Make sure no electrical wiring or plumbing is present before cutting into any surface.

CAUTION

CAUTION: Indicates a potentially hazardous situation which, if not avoided, may result in injury. It may also be used to alert against unsafe practices.



Use Proper Installation Methods

Follow all instructions related to drop-in kitchen or entertainment sink preparation. Failure to follow these instructions could result in water damage.



Slipping Hazard

Do not install this product in the presence of water. Installing this product without drying all surfaces, or in the presence of water, could cause you to slip and fall due to wet floors or spilled fluids. Personal injury can result from slips or falls. Before installation, dry all surfaces, including the floor, with a cloth or paper towel. Clean up all water or spilled fluids immediately.



Tripping Hazard

Personal injury can result from tripping over power cords, tools, or other items. DO NOT leave items laying around the work area.



Personal Protection

Be sure to use all personal protective equipment, such as sturdy work boots, preferably with steel toes, gloves, and hard hat, if necessary, to ensure your own safety. To prevent possible damage to your hearing, always wear ear protection, such as earmuffs or earplugs, when working around power tools.



Cutting Hazard

The installation of the Swanstone product may require using power tools. Keep hands away from the cutting edge of any tool used in the installation of our product. Placing fingers in or around the cutting blades could result in serious personal injury.



Sharp Edge Hazard

After cutting the edge of a Swanstone drop-in kitchen or entertainment sink, it can be sharp. Wear protective gloves to prevent personal injury.



Room Temperature

Allow the Swanstone sink and silicone sealants to adjust to room temperature for at least six hours before installation. The product should not be installed at temperatures below 65°F.

! WARNING

WARNING: Indicates a potentially hazardous situation which, if not avoided, could result in serious injury or death.



Eye Protection

Be sure to use all personal protective equipment to ensure your own safety. To avoid eye injury, always wear protective glasses with side shields when using power tools. Also, make sure no one else can be injured by flying particles when using power tools.



Fire Hazard

Personal injury or death can result from a fire caused by flammable liquids or silicone sealants. Cleaners or solvents can be highly explosive, resulting in personal injury or even death, when not used properly. Clean up any flammable substance immediately. Sparks or open flames can cause flammable substances to ignite. DO NOT smoke while working on or near any flammable substance.



Solvents Hazard

Follow all manufacturer's safety instructions for silicone sealants and denatured alcohol. Alcohol vapors are both flammable and hazardous to breathe. Silicone vapors may irritate eyes and nose. Personal injury can result from improperly handling or use of products, such as denatured alcohol. Always follow the manufacturer's recommendations for the safe use of these products. Ventilate any work area before beginning to apply silicone sealants, cleaning agents, or solvents.



Fumes Hazard

The fumes from the silicone and solvents used by the installer can be harmful if used in an unventilated room. Always work in a well-ventilated area. To keep the area well-ventilated, open windows and use exhaust fans. If adequate ventilation is not achievable or practical, use respiratory protective equipment.



Dust Hazard

When cutting or drilling the Swanstone product, use a dust collection method which prevents dust particles from going into the air. Always work in a well-ventilated area. Always use an OSHA approved dust mask when cutting, drilling, or sanding Swanstone products.



Power Tool Hazard

To prevent personal injury or possible death, always follow the electrical safety recommendations of the power tool's manufacturer. Do not use power tools in an unsafe manner. Power tools should only be connected to a circuit protected by a ground-fault circuit interrupter (GFI).



Shock Hazard

Never use electric power tools around water, condensation, or other liquids. Electric shock can cause severe burns, significant injuries, and even death. If an extension cord is required, always use an OSHA approved extension cord. Power cords should only be connected to a circuit protected by a ground-fault circuit interrupter (GFI).



Electrical Shock Hazard

Contacting live electrical wiring with power tools or hand tools can cause serious injury or death. Make sure all related circuit breakers are turned OFF. Test for live circuits or wiring inside any wall where installation of the Swanstone product requires cutting into a wall.



Electrocution Hazard

Water and other liquids conduct electric current and can create a short circuit, resulting in injury or death. Keep all liquids away from electrical cords and power tools. DO NOT create a short circuit between a source of electricity and a liquid by being in contact with both simultaneously.

General Information

Required Tools

- Safety Glasses
- Ruler/Tape Measure
- Drill and 1/4" Drill Bit
- 1-3/8" Hole Saw
- Saber Saw (if counter top cutout is required)
- Caulk
- Screwdriver

Sink Contents

Confirm that all parts for the sink have been included before beginning installation.

Inside Bowl Dimensions

Model	A	B	C	D	Depth (Right-Left)
KSSB-2522	21-1/8"	17-5/8"	15-5/8"	—	9"
KSSB-3322	29-3/4"	19"	16-1/2"	—	9"
KSDB-3322	14-7/16"	18-7/8"	13-3/4"	15-1/4"	9"-9"
KSLS-3322	19-3/8"	18-7/8"	8-7/8"	15-5/8"	9"-7"
KSLB-3322	14-3/8"	18-7/8"	—	—	10"-10"
KSDB-2518	12"	14-3/4"	12-3/8"	8-3/4"	7-1/2" - 7-1/2"
KSTB-4422	14-3/8"	18-1/2"	16"	9"	9"-7"-9"
KSRB-18	15-3/4"	1-3/8"	—	—	8-1/2"
BS-1515	12"	10-1/2"	—	—	5"

Sink Cutout Dimensions

Model	Width	Depth
KSSB-2522	24-3/8" (619mm)	21-3/8" (543mm)
KSSB-3322	32-3/8" (822mm)	21-3/8" (543mm)
KSDB-3322	32-3/8" (822mm)	21-3/8" (543mm)
KSLS-3322	32-3/8" (822mm)	21-3/8" (543mm)
KSLB-3322	32-3/8" (822mm)	21-3/8" (543mm)
KSDB-2518	24-3/8" (619mm)	17-3/8" (441mm)
KSTB-4422	43-3/8" (1102mm)	21-3/8" (543mm)
KSRB-18	17-7/8" (454mm) dia.	
BS-1515	14-3/8"	14-3/8"

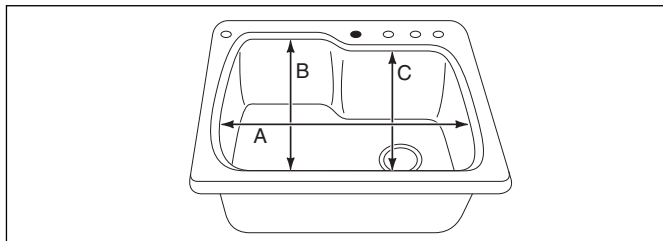


Predrilled Hole



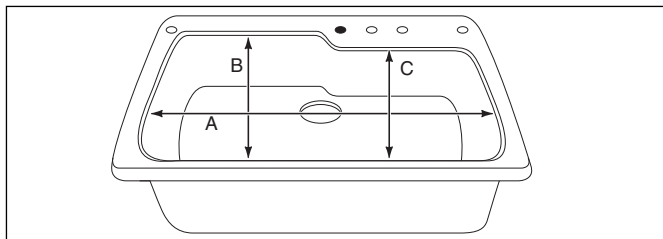
Premarked Hole Location on Underside of Sink

KSSB-2522



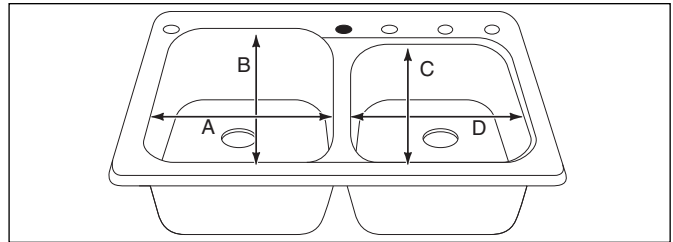
25" x 22" (635mm x 559mm)
Depth 9" (229mm)

KSSB-3322



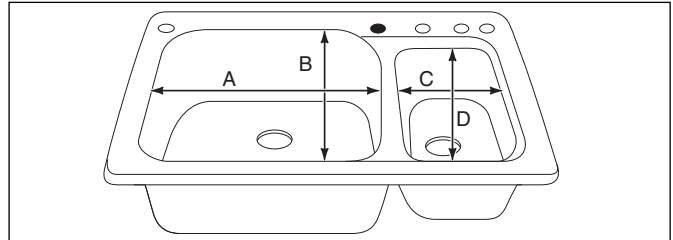
33" x 22" (838mm x 559mm)
Depth 10" (254mm)

KSDB-3322



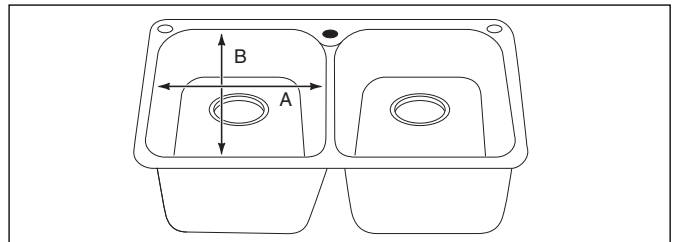
33" x 22" (838mm x 559mm)
Depth 9" (229mm), Depth 9" (229mm)

KSLS-3322



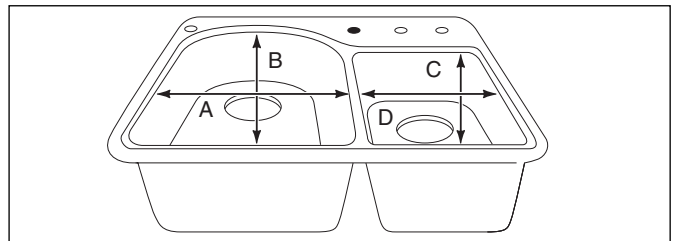
33" x 22" (838mm x 559mm)
Depth 9" (229mm), Depth 7" (178mm)

KSLB-3322



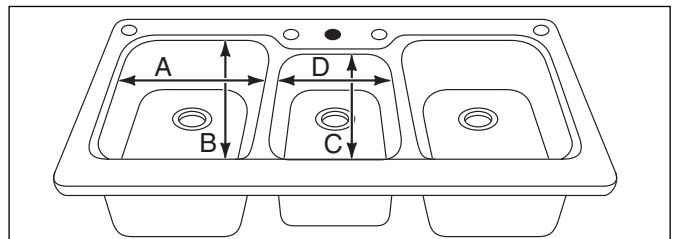
33" x 22" (838mm x 559mm)
Depth 10" (254mm), Depth 10" (254mm)

KSDB-2518



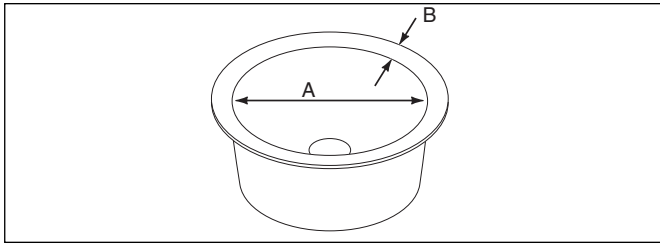
25" x 18" (635mm x 475mm)
Depth 7-1/2" (191mm), Depth 7-1/2" (191mm)

KSTB-4422



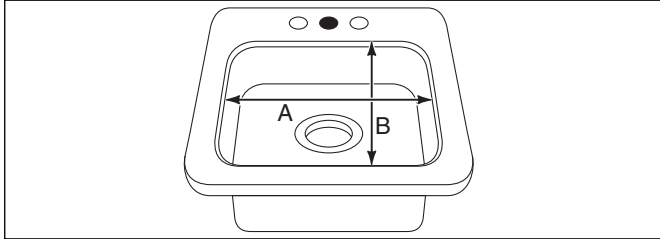
44" x 22" (1118mm x 559mm)
Depth 9" (229mm), Depth 7" (178mm), Depth 9" (229mm)

KSRB-18



18-1/2" DIA.(470mm)
Depth 8-1/2" (216mm)

BS-1515



15" x 15" (381mm x 381mm)
Depth 5" (127mm)

Unpack Carton

- Use care when opening the box not to damage the sink.
- This product is shipped to you or your retail center after careful inspection. After purchasing the sink, carefully unpack and inspect the product for any shipping damage that may have occurred. If damage is found, report it immediately to the store of purchase. After inspection and during installation, protect the products from construction damage, by moving them to another room or area until ready to install.
- Please use the model number located on the side of the box, or the front of this manual, when contacting us with questions concerning the installation of this unit.
- Make sure the sink is the correct size and in good condition. Installation of damaged product will void the warranty.

Helpful Hints

- Read these instructions carefully and familiarize yourself with the various parts of the sink.
- The variety of installations possible for this sink may require procedures other than those shown. Ensure construction is correctly sized, plumb, and square.
- Allow sufficient time for the parts in this sink to adjust to room temperature. We do not recommend installation of this product at temperatures below 65 degrees.
- Store unused materials away from the work area to prevent accidental damage.
- Turn off the hot and cold water supply.

Caulking Tips

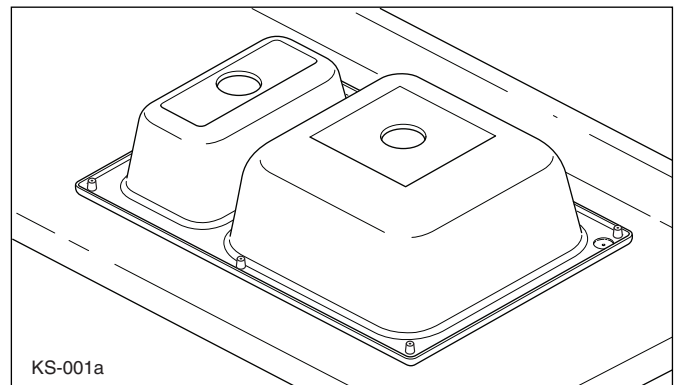
- Follow the instructions on the caulking tube.
- When job is complete, inspect all caulked areas for gaps and fill as needed.
- Clean up excess silicone using denatured alcohol and a clean cloth.
- Be very careful not to disturb caulk joints before they dry.

Installation Procedure

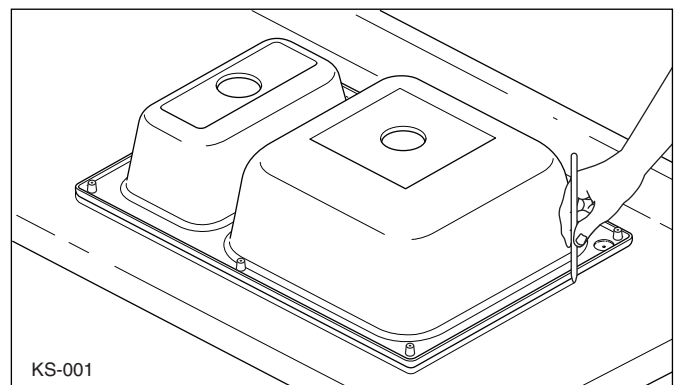
Disclaimer

- The information contained in this Installation Manual is given free of charge. It is based upon technical data which we believe to be reliable and is intended for use, by persons having knowledge of this technical area, at their own discretion and risk. Swanstone assumes no responsibility for results obtained or damage incurred from the use of this material either in whole or in part by the buyer.
- This manual will give you basic instructions for the installation of the product in a step-by-step sequence that will work in most types of installations. If you have an installation application that is not covered in this manual, please call your local Swanstone distributor or contact the Swan Corporation directly for additional information about your application.
- Follow all installation instructions. Failure to follow these instructions could result in personal injuries, water damage, or other damage to floors, pipes, walls, or other portions of your building or home.

1. Invert the sink and position it onto the countertop. Locate sink front-to-rear and right-to-left so the bowl will not interfere with the cabinets below.

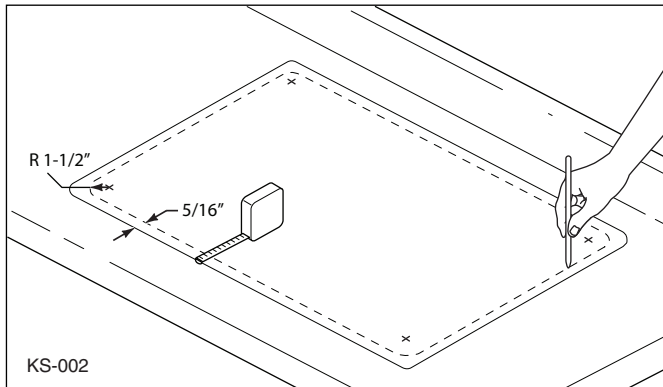


2. Trace a pencil line around the outside edge of the sink and remove the sink from the countertop.

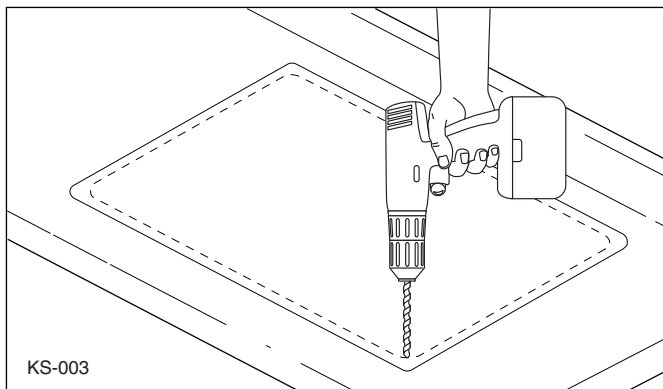


Installation Procedure

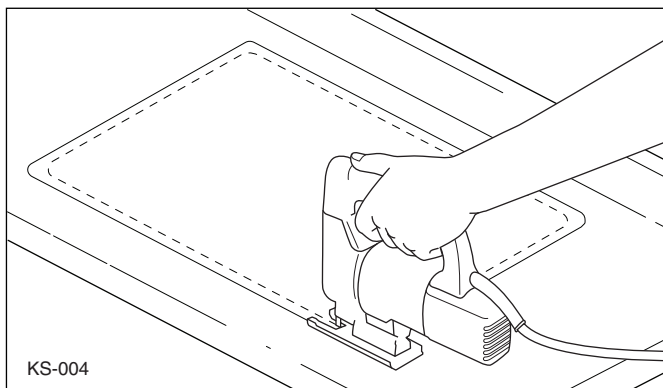
3. Measure $5/16"$ (8 mm) inside the initial sink outline and draw a second line inside the first. Draw a $1-1/2"$ radius at each corner. The second inside line will be the cutout line.



4. Drill a starter hole inside of the cutout line.

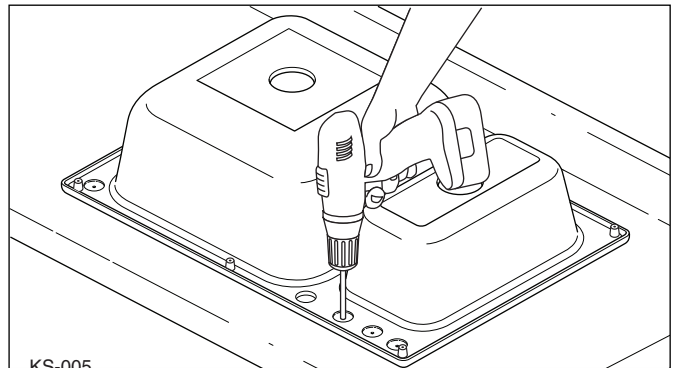


5. Use a saber saw and cut the opening in the countertop following the inside pencil line. Trial fit the sink to check for proper fit.

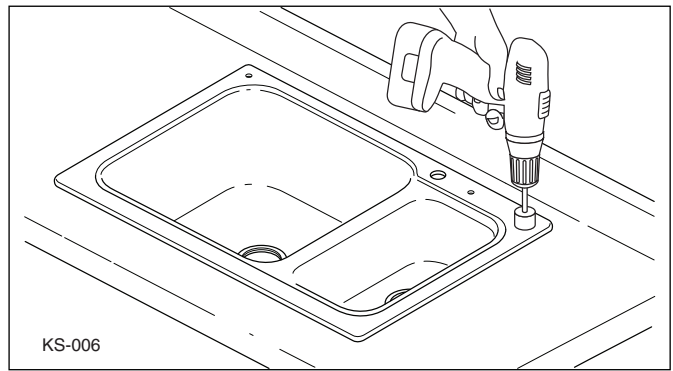


Note: All Swanstone sinks are manufactured with one predrilled hole. Optional locations for additional holes are located on the underside of the sink using marks which are cast into the sink. Follow Steps 6 and 7 for drilling additional holes to meet the requirements of the sink faucet or other accessories.

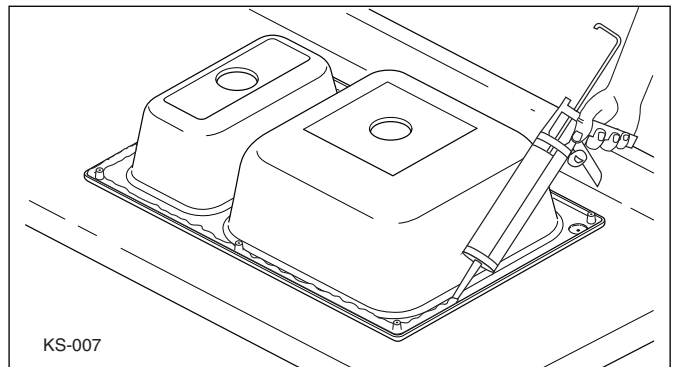
6. If necessary, identify the location of additional holes for the faucet or other accessories and drill a $1/4"$ pilot hole from the back side of the sink.



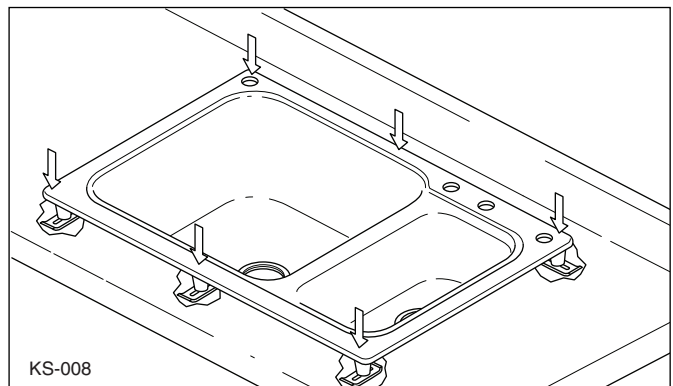
7. Drill the additional hole(s), using the $1/4"$ pilot hole for a guide, with a $1-3/8"$ hole saw.



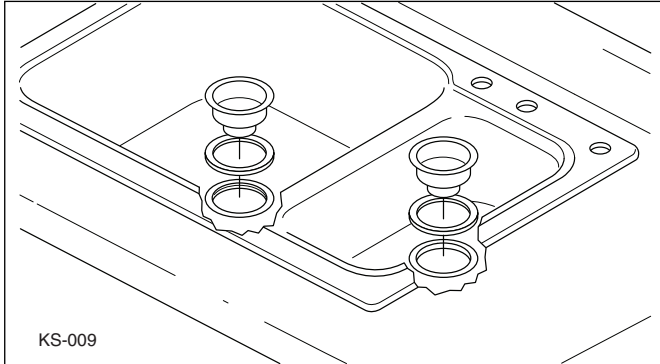
8. Apply a bead of caulk (not included) to the underside of the sink flange and place the sink in the opening.



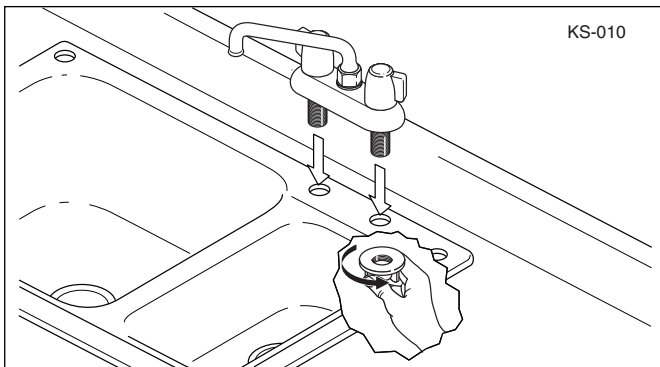
9. Tighten the sink retaining screws evenly.



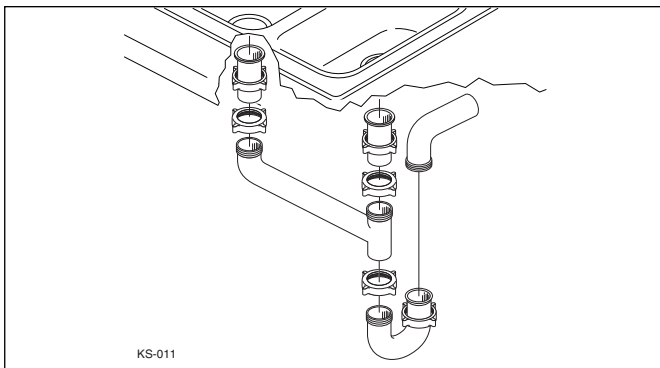
10. Connect the drain trap fittings per the manufacturer's instructions.



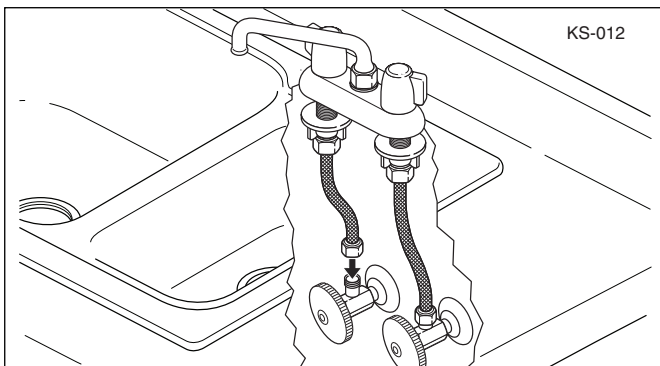
11. Connect the faucet per the manufacturer's instructions.



12. Connect the drain lines and p-trap. Also connect the disposal (if desired), per the manufacturer's instructions.



13. Connect the faucet supply lines per the manufacturer's instructions.



14. Check for leaks.

- a. Check water supply lines to faucet.
- b. Fill sink with water and check for leaks around drain.
- c. Release water from the sink and check for leaks in the plumbing.
- d. Tighten any component that is leaking and retest.

The installation is now complete. DO NOT discard these installation instructions. PLEASE LEAVE THEM WITH THE HOMEOWNER.

Care and Cleaning

The Swanstone products are stain and abrasion resistant; however, the finish requires reasonable care.

IMPORTANT NOTICE

Because cleaning products change over time, always check the manufacturer's instructions to make sure it is compatible with plastic. DO NOT use a cleaner if the label indicates it should not be used on plastics. DO NOT use spray-on cleaners that require daily use without immediately rinsing with water to stop the chemical cleaning reaction because damage will result and void the warranty.

Day-To-Day Cleanup

Clean your Swanstone kitchen sink with powdered abrasive cleaners. Use of a Scotch Brite pad is recommended to remove stubborn stains. Occasional use of a mild bleach and water solution ensures that the original luster is maintained.

Simply wipe the surfaces with a clean towel to remove watermarks and residues. All Swanstone products can be cleaned with warm water, a soft cloth, and normal household detergents or cleansers, such as Fantastic, Formula 409, Clorox Clean-up, Handy Andy, Mr. Clean, or Lestoil. Always rinse off cleaners within five minutes of application.

Occasional scrubbing with household abrasive cleaners ensures that the original luster is maintained.

Surface Repair

Light Scratches

Use 400 grit sandpaper to remove light scratches in the surface.

Deep Scratches or Gouges

For deeper scratches or gouges, use 220 or 320 grit sandpaper. A "Scotchbright pad" can be used to blend the repair into the surrounding area.

Warranty

If a Swan product covered by this warranty is found to be defective in materials or workmanship, after inspection by an authorized Swan Corporation representative, we will repair, or at our option, exchange the product for a similar model. This warranty extends for a designated period of time, so long as it remains in use in its original place of installation.

This warranty covers products installed in accordance with the Swan Corporation's installation instructions, used as recommended, and not damaged due to misuse, abuse, or improper installation. It does not apply to any seams or changes made to the product by professional tradesmen or fabricators.

The Swan Corporation's option to repair or exchange the products under this warranty does not cover any labor or other costs of removal or installation, nor shall the Swan Corporation be responsible for any other incidental or consequential damages attributable to a product defect or to the repair or exchange of a defective product.

Residential Limited Lifetime Warranty

The warranty applies only to the original purchaser and installation of these products in residential applications. It does not apply to commercial applications.

Commercial 10-Year Limited Warranty

The warranty applies only to the original purchaser and installation of these products in commercial applications.

Save these Installation Instructions for future reference. They provide important information on cleaning, maintenance, and surface repair of the Swanstone Products.

