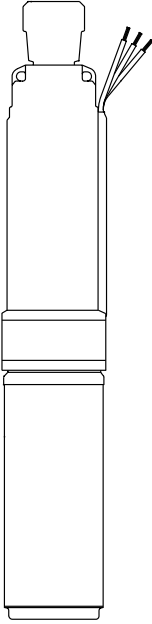


## 4" Submersible Pumps Two and Three Wire, Single and Three Phase, 1/2 through 10 H.P., 60 Hz



NOTICE D'INSTALLATION ET DE  
FONCTIONNEMENT

## Pompes submersibles de 4 pouces Moteurs bifilaires et trifilaires, Monophasés et triphasés, Puissance de 1/2 à 10 ch, 60 Hz

MANUAL DE INSTALACIÓN Y  
FUNCIONAMIENTO

## Bombas sumergibles de 4" Bifilares y Trifilares, Monofásicas y trifásicas, 1/2 hasta 10 H.P., 60 Hz

English.....	Pages 2-12
Français.....	Pages 13-23
Español.....	Paginas 24-34
Tables • Tableaux • Cuadros.....	Pages 35-47
Diagrams • Schémas • Diagramas.....	Pages 48-64

Record the following information from the motor and pump nameplates for future reference:

Sur les lignes qui suivent, indiquer les informations suivantes qui se trouvent sur les plaques signalétiques du moteur et de la pompe de façon à pouvoir s'y reporter ultérieurement :

Anote la siguiente información de las chapas del motor y de la bomba para referencia futura:

Pump Model No.	
N° de modèle de la pompe	
No. de modelo de la bomba	
Pump Serial No.	
N° de série de la pompe	
No. de serie de la bomba	
Motor Model No.	
N° de modèle du moteur	
No. de modelo del motor	
Motor Serial No.	
N° de série du moteur	
No. de serie del motor	
H.P., Volts/Hz/Ph	
Puissance en CH Volts/Hz/Phase(s)	
H.P. Voltios/Hz/Fase	
Rated Amp Draw	
Débit nominal en ampères	
Corriente nominal extraída	

# Table of Contents

- Important Safety Instructions . . . . . 2
- Pre-Installation . . . . . 3
- Rotation – (3 Phase only) . . . . . 3
- Cabling . . . . . 6
- Cable Splicing . . . . . 7
- Initial Start-Up . . . . . 9
- Effluent Applications . . . . . 9
- Connecting To Tank / Water System . . . . . 9
- Troubleshooting . . . . . 10
- Warranty . . . . . 12
- Tables . . . . . 35
- Diagrams . . . . . 52

## Important Safety Instructions

**SAVE THESE INSTRUCTIONS** - This manual contains important instructions that should be followed during installation, operation, and maintenance of the product. Save this manual for future reference.

**⚠** This is the safety alert symbol. When you see this symbol on your pump or in this manual, look for one of the following signal words and be alert to the potential for personal injury!

**⚠ DANGER** indicates a hazard which, if not avoided, *will* result in death or serious injury.

**⚠ WARNING** indicates a hazard which, if not avoided, *could* result in death or serious injury.

**⚠ CAUTION** indicates a hazard which, if not avoided, *could* result in minor or moderate injury.

**NOTICE** addresses practices not related to personal injury.

To avoid serious or fatal personal injury and possible property damage, carefully read and follow the safety instructions.

**⚠ WARNING Hazardous voltage.** Can shock, burn or cause death. To avoid dangerous or fatal electric shock hazard, use pump only in a water well.

**⚠ WARNING Risk of electrical shock.** Do not install this pump in any pond, river, or other open body of water that could be used for swimming or recreation. Do not swim, wade or play in a body of water in which a submersible pump has been installed.

- Installation must meet United States National Electrical Code, Canadian Electrical Code, and local codes (as applicable) for all wiring.
- Disconnect electrical power supply before installing or servicing pump.
- Make sure line voltage and frequency of power supply match motor nameplate voltage and frequency.

**⚠ WARNING Hazardous pressure.** Under certain conditions, submersible pumps can develop extremely high pressure. Install a pressure relief

valve capable of passing entire pump flow at 75 PSI (517 kPa) when using an air over water pressure tank. Install a pressure relief valve capable of passing entire pump flow at 100 PSI (690 kPa) when using a pre-charged pressure tank.

**⚠ CAUTION Risk of freezing.** Do not allow pump, pressure tank, piping, or any other system component containing water to freeze. Freezing may damage system, leading to injury or flooding. Allowing pump or system components to freeze will void warranty.

### California Proposition 65 Warning

**⚠ WARNING** This product and related accessories contain chemicals known to the State of California to cause cancer, birth defects or other reproductive harm.

### Electrical Grounding Information

**⚠ WARNING Hazardous voltage.** Can shock, burn, or kill. To reduce the risk of electrical shock during pump operation, ground and bond the pump and motor as follows:

- To reduce risk of electrical shock from metal parts of the assembly other than the pump, bond together all metal parts accessible at the well head (including metal discharge pipe, metal well casing, and the like). Use a metal bonding conductor at least as large as the power cable conductors running down the well to the pump's motor.
- Clamp or weld (or both if necessary) this bonding conductor to the grounding means provided with the pump, which will be the equipment-grounding terminal, the grounding conductor on the pump housing, or an equipment-grounding lead. The equipment-grounding lead, when provided, will be the conductor having green insulation; it may also have one or more yellow stripes.
- Ground the pump, motor, and any metallic conduit that carries power cable conductors. Ground these back to the service by connecting a copper conductor from the pump, motor, and conduit to the grounding screw provided within the supply-connection box wiring compartment. This conductor must be at least as large as the circuit conductors supplying the pump

Allowing pump or system components to freeze will void warranty.

Install pump according to all plumbing, pump and well code requirements.

Test well water for purity before using well. Call your local health department for testing procedure.

During installation, keep well covered as much as possible to prevent leaves and foreign matter from falling into well. Foreign objects in well can contaminate the water and cause serious mechanical damage to the pump.

Pipe joint compound can cause cracking in plastics. Use only PTFE pipe thread sealing tape when sealing joints in plastic pipe or when connecting pipe to thermoplastic pumps.

## Pre-Installation

Inspect pump and motor for delivery damage. Report any damage immediately to the shipping carrier or to your dealer.

The well driller should thoroughly develop the well (that is, pump out all fine sand and foreign matter) before pump is installed.

Pump performance is based on pumping clear, cold, liquid water.

Warranty is void in the following conditions:

- If pump has pumped excessive sand – excessive sand can cause premature wear to pump.
- If water is corrosive.
- If entrained gas or air are present in the water being pumped – these can reduce flow and cause cavitation which can damage pump.
- If pump has been operated with discharge valve closed – severe internal damage will result.

Install pump at least 15 to 20' (4.5 to 6 m) below the lowest water level reached with pump running (lowest draw-down water level), and at least 5' (1.5 m) above the bottom of the well.

See *Tables* for information on submersible motor overload protection, control box specifications, recommended fusing, and service wiring requirements. Also see *Diagrams* for typical submersible pump installation wiring.

## Wiring/Grounding

**⚠ WARNING Hazardous voltage.** Can shock, burn, or cause death. Permanently ground pump, motor and control box before connecting power supply to motor.

Ground pump and motor in accordance with local codes and ordinances. Use a copper ground wire at least as large as wires carrying current to motor.

Motor is supplied with a copper ground wire. Splice this ground wire to a copper conductor that matches motor wire size specified in *Cable Sizing Tables*. Also see *Cable Splicing* instructions.

Permanently ground pump, motor and control box before connecting power cable to power supply. Connect ground wire to approved ground first and then connect to equipment being installed. Do not ground to a gas supply line.

**⚠ WARNING Fire and electrical shock hazard.** If using a drop cable larger than AWG 10 (5.5mm<sup>2</sup>) [for example, AWG 8 (8.4mm<sup>2</sup>) wire] between pump and control box, run drop cable to a separate junction box. Connect junction box to control box with AWG 10 (5.5mm<sup>2</sup>) wire.

For more information, contact your local code authority.

## Wiring Connections

Installation must meet United States National Electrical Code, Canadian Electrical Code and local codes for all wiring (as applicable).

Use only copper wire when making connections to pump and control box.

To avoid over-heating wire and excessive voltage drop at motor, be sure that wire size is at least as large as size listed in cable sizing tables for your horsepower pump and length of wire run.

**NOTICE** See *Diagrams* for typical wiring hookups and control box identification.

**NOTICE** When built-in overheating protection is not provided, install an approved overload equipped motor control that matches motor input in full load amps. Select or adjust overload element(s) in accordance with control instructions. When built-in overheating protection is provided, use an approved motor control that matches motor input in full load amperes.

## Rotation – (3 Phase only)

To make sure motor is running in the correct direction, proceed carefully as follows:

After electrical connections have been made as outlined, and with pump hanging in well supported from clamp on the discharge pipe, turn on then turn off the switch connecting the motor to the power supply line.

Observe the rotation of pump as motor starts. If connections are properly made, pump will “jerk” clockwise when looking into the pump discharge when started. If the “jerk” is counter-clockwise, the motor is running in the wrong direction. Interchange any two cable leads where they connect to the “lead” terminals in the magnetic starter. With connections properly made, and pump lowered into water, turn the switch ON again and the pump should deliver water according to the performance charts.

## Overload Protection Of Three Phase Submersible Motors – Class 10 Protection Required

The characteristics of submersible motors are different from standard motors and special overload protection is required.

If the motor is stalled, the overload must trip within 10 seconds to protect the motor windings. All recommended overload selections are of the ambient compensated type to maintain protection at high and low air temperatures.

All heaters and amp settings shown are based on total line amps. When a six-lead motor is used with a Wye-Delta starter, divide motor amps by 1.732 to make your selection or adjustment for heaters carrying phase amps.

See *Table 1* for overload specifications for PENTEK motors.

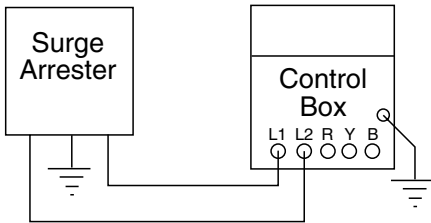
**NOTICE** Warranty on three phase submersible motors is void unless proper quick trip protection in all three motor lines is used.

**Surge Arresters in Control Box**

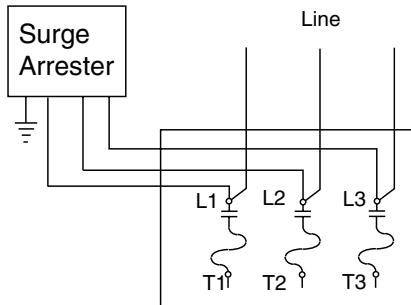
**Grounding:** When the box has a surge arrester, the surge arrester **MUST** be grounded, metal to metal, all the way to the water strata for the arrester to be effective. Grounding the arrester to a driven ground rod provides little or no protection for the motor.

**NOTICE** Surge arresters **DO NOT** protect against direct lightning strikes.

Install grounded surge arresters to protect pump from high voltage surges. Install arrester on the incoming power line to control box or pressure switch, as close to pump motor as possible. See Figures 1 and 2 for installation wiring diagrams for arresters.



**Figure 1 – Typical 3 Wire, Single Phase, 230 Volt Surge Arrester Wiring Diagram**



**Figure 2 - Three Phase Surge Arrester (650 Volt Maximum) Wiring Diagram**

**NOTICE** Ground the arrester with a AWG 10 or larger bare wire. Ground according to local code requirements.

**NOTICE** If surge arresters wired into the control box do not comply with local electrical code, contact power company for correct wiring information.

**Recommended Adjustable Overload Relays**

AEG Series:

B17S, B27S, B27-2.

Allen Bradley:

Bulletin 193, SMP-Class 10 only.

Fanal Types:

K7 or K7D through K400.

Franklin Electric:

Subtrol-Plus.

General Electric:

CR4G, CR7G, RT\*1, RT\*2, RTF3, RT\*4, CR324X-Class 10 only.

Klockner-Moeller Types:

Z00, Z1, Z4, PKZM1, PKZM3, PKZ2.

Lovato:

RC9, RC22, RC80, RF9, RF25, RF95.

Siemens Types:

3UA50, -52, -54, -55, -58, -59, -60, -61, -62, -66, -68, -70, 3VUI3, 3VE, 3UB (Class 5).

Sprecher and Schuh Types:

CT, CT1, CTA 1, CT3K, CT3-12 thru CT3-42, KTA3, CEF1 & CET3 set at 6 sec. max., CEP 7 Class 10, CT4, 6, & 7, CT3.

Square D/Telemecanique:

Class 9065 types TD, TE, TF, TG, TJ, TK, TR, TJE, TJE (Class 10) or LR1-D, LR1-F, LR2-D13, -D23, -D33, Types 18A, 32A, SS-Class 10, SR-Class 10 and 63-A-LB Series. Integral 18,32,63, GV2-L, GV2-M, GV2-P, GV3-M (1.6-10 amp only).

Westinghouse Types:

FT13, FT23, FT33, FT43, K7D, K27D, K67D, Advantage (Class 10), MOR, IQ500 (Class 5).

Other relay types from these manufacturers or from other manufacturers may or may not provide acceptable protection. Contact Pentair Customer Service for more information.

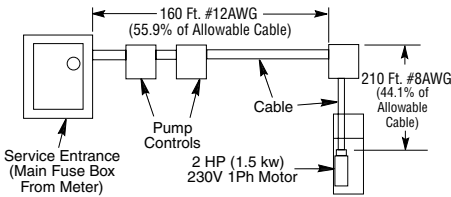
Some approved overload types may not be available for all of the listed motor ratings. When relays are used with current transformers, divide the specified amps by the transformer ratio to obtain the relay setting.

## Calculating Cable Size

### When two different sizes can be used (calculated in feet)

Sometimes conditions make it desirable to use more than one size cable in an installation.

For example: Replace a pump with a 2 HP, 230 volt, 60 Hz, single phase motor, with the motor setting at 210' down the well and with 160' of #12AWG cable buried between the service entrance and the well head. In order to avoid replacing the buried cable, the question is: What size cable is required in the well? Calculate as follows:



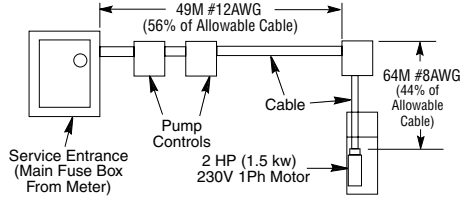
1. According to *Table VIII*, a total of 286' of #12AWG cable is allowed to power the 2 HP motor. The percent of this total that has been used by the 160' of cable in the buried run is:  $160' / 286' = .559 = 55.9\%$ .
2. With 55.9% of the allowable cable already used, 44.1% of the total length is left for use in the well. To avoid running a cable that is too small and lowering the voltage to the motor, we have to find a cable size large enough so that 210' is less than 44.1% of the total length allowed for that size.
3. Trying #10AWG cable, *Table VIII* shows that the total allowable length for a 2 HP motor is 456'.  
 $456' \times 44.1\% = 456' \times .441 = 201'$   
 This is not long enough.
4. Trying #8AWG cable, *Table VIII* shows that the total allowable length is 722'.  
 $722' \times 44.1\% = 722' \times .441 = 318'$   
 This is longer than needed. Therefore, #8AWG cable can be used for the 210' of cable in the well.

Any combination of sizes can be used, provided that the total percentage of the length of the two sizes of cable does not exceed 100% of the allowed lengths.

### When two different sizes can be used (calculated in meters)

Sometimes conditions make it desirable to use more than one size cable in an installation.

For example: Replace a pump with a 2 HP, 230 volt, 60 Hz, single phase motor, with the motor setting at 64m down the well and with 49m of #12AWG cable buried between the service entrance and the well head. In order to avoid replacing the buried cable, the question is: What size cable is required in the well? Calculate as follows:



1. According to *Table IX*, a total of 87m of #12AWG cable is allowed to power the 2 HP motor. The percent of this total that has been used by the 49m of cable in the buried run is:  $49m / 87m = .56 = 56\%$ .
2. With 56% of the allowable cable already used, 44% of the total length is left for use in the well. To avoid running a cable that is too small and lowering the voltage to the motor, we have to find a cable size large enough so that 64m is less than 44% of the total length allowed for that size.
3. Trying #10AWG cable, *Table IX* shows that the total allowable length for a 2 HP motor is 139m.  
 $139m \times 44\% = 139m \times .44 = 61m$   
 This is not long enough.
4. Trying #8 cable, *Table IX* shows that the total allowable length is 220m.  
 $220m \times 44\% = 220m \times .44 = 97m$   
 This is longer than needed. Therefore, #8AWG cable can be used for the 64m of cable in the well.

Any combination of sizes can be used, provided that the total percentage of the length of the two sizes of cable does not exceed 100% of the allowed lengths.

## Installation Wiring Diagrams - Single Phase, 3 Wire

**⚠️ WARNING Hazardous voltage.** Can shock, burn, or kill. Ground control box, all metal plumbing, and motor frame with copper wire in compliance with local codes. Use a ground wire at least as large in gauge as the wires supplying power to the motor.

**NOTICE** For motors of 1-1/2 HP and above, use a magnetic starter to avoid damage to pressure switch. Consult factory for wiring information. Permanently close all unused openings in this and other equipment enclosures.

Disconnect power to control box before working on or around control box, pipes, cable, pump, or motor.

To be sure that starting relay will function and that overload will not “nuisance trip”, install control box vertically with top side up.

Wire control box as shown in *Diagrams*. Submersible pump will not operate without a control box, and some boxes require a switch or a jumper lead between ‘SW’ and ‘L2’ terminals. Operation without control box will burn out the pump motor.

Installation must meet United States National Electrical Code, Canadian Electrical Code, and local codes for all wiring (as applicable).

**If main overload trips, look for:**

1. Shorted capacitor
2. Voltage problems
3. Overloaded or locked pump.

**NOTICE** Match motor to control box or motor control as shown in *Specifications*.

## Liquid Level (Pump Down)

### Controls:

Use pump down controls on wells with low flow to prevent pumping well dry. See *Installation Diagrams* for proper installation. Ground controls according to local code requirements.

If start overload trips, replace start relay. Reset and analyze for tripping cause. To avoid motor burnout, do not remove or short circuit overload protection.

## Checking Procedure (All Control Boxes):

**⚠️ WARNING Hazardous voltage.** Can shock, burn, or cause death. Disconnect power to control box before doing these check procedures.

- A. General Procedures.** (Power to control box disconnected)
  1. Disconnect line.
  2. Inspect for damaged or burned parts, loose connections, etc.
  3. Check for misconnections against diagram in control box.
  4. If box is too hot, circuit breakers may trip or fuses blow. Ventilate or shade box. Move away from heat source.
  5. If problem has not been found, check motor and control box. Use test procedures that follow.
- B. Ground (Insulation Resistance) Test.** (Power to control box disconnected)
  1. Ohmmeter Setting: Highest scale (usually Rx100K or Rx10,000).
  2. Terminal Connections: One ohmmeter lead to “Ground” screw on control box and touch other lead to each of the terminals on terminal board.
  3. Ohmmeter Reading: Pointer should remain at infinity ( $\infty$ ) and not deflect.
- C. Capacitor Tests.** (Power to control box disconnected)
 

**⚠️ WARNING Risk of electric shock.** Short capacitor across terminals before testing.

  1. Ohmmeter Setting: Rx1000.
  2. Terminal Connections: Connect ohmmeter leads to black and orange wires out of capacitor case.
  3. Ohmmeter Reading: Pointer should swing toward “zero” and “float” back to ( $\infty$ ). Capacitor is shorted if pointer does not move back to ( $\infty$ ), open if it does not move from ( $\infty$ ).
  4. To reset capacitor, reverse ohmmeter connection to capacitor terminals.
- D. Triac Test.** (Solid state switch only)
  1. Ohmmeter Setting: Rx1000.
  2. Connect the leads to “R” (start) terminal and to orange lead terminal on start switch.
  3. Ohmmeter reading: Infinity ( $\infty$ ).
- E. Coil Test.** (Solid state switch only)
  1. Ohmmeter Setting: Rx1.
  2. Connect leads to “Y” (common) and L2 terminal and to orange lead terminal on start switch.
  3. Ohmmeter reading: Infinity ( $\infty$ ).

## Cable Splicing

Splice cable to motor leads. Use one of the three methods outlined below. Use only copper wire for connections to pump motor and control box. Use only UL®-approved water-submersion-grade electrical tape.

**Taped splice** - For wire sizes AWG 8 (8.4mm<sup>2</sup>) and larger:

1. Cut off motor leads. Stagger lead and wire length so that 2nd lead is 2" (50mm) longer than 1st lead and 3rd lead is 2" (50mm) longer than second.
2. Cut off cable ends. Be sure to match colors and lengths of wires in drop cable to colors and lengths of motor leads.
3. Trim insulation back 1/2" (13mm) from cable ends and motor lead ends.
4. Insert motor lead ends and cable ends into butt connectors (see Figure 3). Be sure to match wire colors between drop cable and motor leads.
5. Using crimping pliers (Figure 6), indent butt connector lugs (see Figure 4) to secure wires.

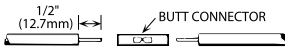


Figure 3



Figure 4

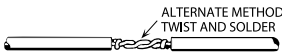


Figure 5

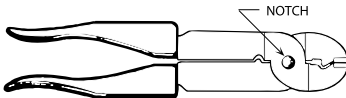


Figure 6



Figure 7

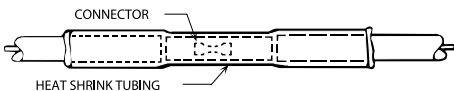


Figure 8

6. Cut electrical insulation putty into 3 equal parts and form tightly around butt connectors. Be sure electrical insulation putty overlaps insulated part of wire.
7. Wrap each joint tightly with electrical tape - cover wire for about 1-1/2" (4cm) on each side of joint. Make four passes with the tape - when finished you should have four layers of tape tightly wrapped around the wire. Press edges of tape firmly down against the wire (see Figure 7).

**NOTICE** Since the tightly wound tape is the only means of keeping water out of the splice, the efficiency of the splice will depend on the care used in wrapping the tape.

**NOTICE** For wire sizes larger than AWG 8 (8.4mm<sup>2</sup>), use a soldered joint rather than a butt connector (see Figure 5).

**Heat-shrink splice** - For wire sizes AWG 14, 12 and 10 (2, 3, and 5.5mm<sup>2</sup>):

1. Remove 3/8" (10mm) insulation from ends of motor leads and drop cable wires.
2. Put plastic heat shrink tubing over motor leads.
3. Match wire colors and lengths in drop cable to wire colors and lengths of motor leads.
4. Insert cable and motor wire ends into butt connectors and crimp (See Figures 3 and 4). **BE SURE** to match wire colors between drop cable and motor leads. Pull leads to check connections.
5. Center tubing over butt connector and apply heat evenly with a torch (a match or lighter will not supply enough heat).

**NOTICE** Keep torch moving. Too much concentrated heat may damage tubing (see Figure 8).

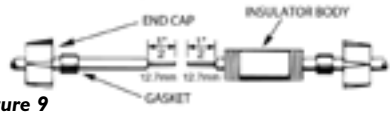


Figure 9



Figure 10

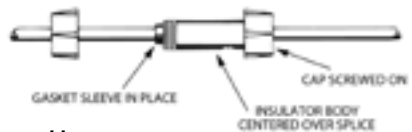


Figure 11

**Butt Connectors with plastic insulators** - For wire sizes AWG 14, 12 and 10 (2, 3, and 5.5mm<sup>2</sup>):

1. Cut off motor leads. Stagger lead and wire length so that 2nd lead is 4" (100mm) longer than 1st lead and 3rd lead is 4" (100mm) longer than second.
2. Cut off cable ends. Be sure to match colors and lengths of wires in drop cable to colors and lengths of motor leads.
3. Trim insulation back 1/2" (13mm) from cable ends and motor lead ends.
4. Unscrew plastic caps from insulators. Place a cap and a neoprene gasket sleeve on each wire end to be spliced (see Figure 9).
5. Slide insulator body onto one wire end (Figure 9).
6. Insert wire end into butt connector and crimp (see Figure 10). Be sure to match cable and motor wire colors.
7. Center insulator body over splice and slide neoprene sleeves into body as far as they will go. Screw caps onto insulator body (Figure 11) and tighten by hand for a strong, waterproof splice.

## Cable Installation

1. To test submersible pump, momentarily connect it to proper power supply. Power supply frequency and voltage must match motor nameplate frequency and voltage to within  $\pm 10\%$ . See *Rotation* for three phase pumps.
2. Fasten cable leads securely to pump discharge section; leave 4-5" (100-127mm) of slack in leads at this point. Securely fasten leads to plastic pipe within 6" (150mm) of the pump discharge section. Use properly-installed torque arresters to protect pump and pipe from twisting damage as pump starts and stops.
3. Connect copper ground wire to motor bracket. Ground wire must be at least as large as wires

supplying current to motor. Consult current National Electrical Code, Canadian Electrical Code and local codes (as applicable) for grounding information.

4. Use only submersible cable supplied by pump manufacturer. When lowering pump into well, secure cable to discharge pipe at 10' (3.5m) intervals with electrical tape. Take care not to damage pump cable.

**NOTICE** To avoid dropping the pump down the well or damaging cable or cable splices, **NEVER** allow pump cable to support weight of pump.

## Pump Installation

1. If a standard air over water pressure tank is being used, install two bleeder orifices about 2' (60cm) apart as shown on page 63. These orifices will automatically charge the tank with air. See page 62 to determine orifice location. **NOTICE** If a pre-charged tank is used, **DO NOT** install bleeder orifices. If pump and pre-charged tank are replacing a standard tank system, remove bleeder orifices before installing pump in well.
2. To prevent losing pump down the well, connect a safety rope strong enough to support pump and drop pipe (minimum 5/16" [8mm] twisted polypropylene or pronila rope) to eyelet on pump discharge. Tie off other end of safety rope securely to well seal, well cap or pitless adapter.
3. Discharge outlet is threaded 2" NPT (60 Hz) or 2" BSP (50 Hz).  
Use 100 PSI rated polyethylene plastic pipe for installations up to 100' (30m) depth.  
Use 160 PSI rated polyethylene plastic pipe for installation up to 220' (67m) depth.  
For depths beyond 220' (67m), use galvanized steel pipe for the entire drop pipe.

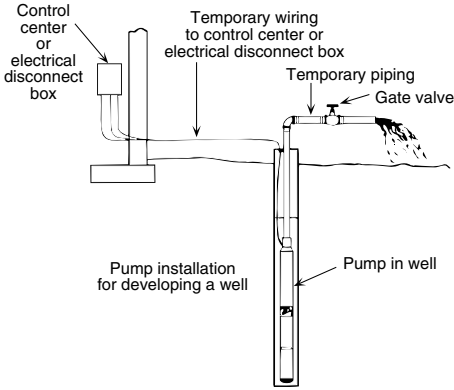


## Initial Start-Up

**NOTICE** NEVER operate pump with discharge valve completely closed. Pump can destroy itself if run with discharge shut off (“deadheaded”).

**NOTICE** To avoid sand-locking pump, follow procedure below when starting pump for the first time. NEVER start a pump with discharge completely open unless you have done this procedure first.

1. Connect a pipe elbow, a short length of pipe and a gate valve to pump discharge at well head (see Figure 12).



**Figure 12 - Typical pump start-up**

2. Mount motor control box (3-wire pump), fused disconnect switch (2-wire pump), or magnetic starter (three-phase pump) in a permanently weather proofed place. Make sure that controls will not be subjected to extreme heat or excess moisture.
3. Make sure controls are in OFF position.
4. Connect motor leads and power supply to motor control box, fused disconnect switch, or magnetic starter (see *Diagrams*). **Do not start pump yet.**
5. Set gate valve on discharge 1/3 open; start pump (see Figure 12).
6. Keep gate valve at this setting while water pumps out on ground. Let it run until water is clear of sand or silt. To check solids in water, fill a glass from pump and let solids settle out.
7. When water is completely clear at 1/3 setting, open gate valve to approximately two-thirds open and repeat process.
8. When water is completely clear at 2/3 setting, open gate valve completely and run pump until water is completely clear.
9. Remove gate valve for permanent installation near tank (see pages 62 and 63).
10. Install sanitary well seal or pitless adapter unit, well unit, electrical conduit and surface piping according to local code requirements.

## Effluent Applications

Pumps designed and tested for effluent applications must meet the following:

**▲WARNING Risk of electric shock.** Do not remove cord and strain relief. Do not connect conduit to pump.

1. Only qualified personnel should install the pump and associated control equipment.
2. Vent sewage or septic tank according to local codes.
3. Do not install pump in any location classified as hazardous by National Electrical Code, ANSI/NFPA 70-2001.
4. These pumps are intended for permanent connection only. Provide strain relief at control box for power supply cord connection to box. All control components must be UL listed and suitable for end use application.

## Connecting To Tank / Water System

**▲WARNING Hazardous pressure.** Submersible pumps can develop very high pressure in some situations. To prevent tank failure, install a pressure relief valve able to pass full pump flow at 75 PSI (517 kPa) when using an air over water pressure tank. Install a pressure relief valve capable of passing entire pump flow at 100 PSI (690 kPa) when using a pre-charged pressure tank. Install this relief valve between pump and tank.

**NOTICE** Allowing pump or piping system to freeze may severely damage pump and will void warranty. Protect pump and entire piping system (including pressure tank) from freezing.

### Standard Tank Hookup:

See page 62 for piping connections to standard pressure tank and for correct distance of bleeder orifices from pressure tank.

### Pre-charged Pressure Tank Hookup:

See page 63 for piping connections to pre-charged pressure tank.

**NOTICE** Check air pre-charge in tank before starting pump. Adjust pre-charge to 2 PSI (13.8 kPa) below pump cut-in setting. (For example, a pre-charge tank used with a 30-50 switch should be pre-charged with air to 28 PSI (193 kPa). Adjust pre-charge by either adding or bleeding air through air pressure valve located on top of tank. Check pre-charge annually and adjust as needed.

Problem	Check	Corrective Action
<b>Motor will not start but fuses do not blow.</b>		
No voltage.	No voltage at fuse box.	Consult power supplier, check generator.
	No voltage at control box.	Check connections, rewire from fuse box to control box.
	No voltage at pressure switch.	Check connections, replace control box, rewire from control box to pressure switch.
	No voltage on load side of pressure switch.	Check connections, replace pressure switch.
	Cable or splices bad.	Consult serviceman or licensed electrician.
	Control box incorrectly wired.	Reconnect control box correctly (see <i>Diagrams</i> ).
<b>Fuses blow or overload protector trips when motor starts.</b>		
Wrong size fuse or wrong size time delay fuse.	Check fuse size against <i>Fuse Size</i> tables.	Install correct fuse or time delay fuse.
Wire size too small.	Check wire size against <i>Cable Sizing</i> tables.	Install correct size wire.
Starting capacitor defective or blown.	Check control box to see if starting capacitor has blown out.	Replace starting capacitor.
Low or high voltage.	Check that line voltage is within $\pm 10\%$ of nameplate rated voltage while motor is running.	If voltage variation is greater than $\pm 10\%$ , call power company to adjust voltage.
Cable leads not correctly connected to control box.	Check control box wiring diagram against incoming power hookup.	Reconnect leads to match wiring diagram in control box cover.
	Check drop cable color coding.	Reconnect drop cable so cable color code matches motor lead color code.
Broken wire in control box.	Examine all connections and wiring in control box.	Disconnect power and repair or replace faulty wire.
Pump or motor stuck or binding.	Check for locked rotor in pump.	If necessary, pull pump (make all possible above ground checks first). If pump is locked, replace it. Clean well of all sand or lime before reinstalling pump.
<b>Fuses blow or overload protector trips when motor is running.</b>		
Low or high voltage.	Check that line voltage is within $\pm 10\%$ of rated nameplate voltage while motor is running.	If voltage variation is more than $\pm 10\%$ , call power company to adjust voltage.
High ambient (atmospheric temperature).	Check temperature of control box.	Do not mount control box in direct sunlight.
Control box with wrong voltage or horsepower rating.	Compare voltage and horsepower on motor nameplate with those given on control box nameplate or on circuit diagram inside control box cover.	Replace control box if numbers do not match.
Wire size too small.	Check wire size against <i>Cable Sizing</i> tables.	Install correct wire size.
Cable splices or motor leads grounded, shorted, or open.	Consult licensed electrician or qualified serviceman.	Do not attempt to disassemble pump or motor.

Problem	Check	Corrective Action
<b>Pump starts too frequently.</b>		
Leaks in system.	Check all tank connections with soapsuds for air leaks. Check plumbing for leaks.	System must be air and water tight.
Pressure switch.	Check for defective switch or switch out of adjustment.	Re-adjust or replace pressure switch.
Tank waterlogged.	Pre-charged tanks; check tank pre-charge air pressure, check for leak in bladder.	Pre-charge tanks: adjust air pressure to 2 PSI (13.8 kPa) less than pump cut-in pressure (when there is no water pressure on system). Replace bladder if necessary.
	Air over water tanks: check for air leaks. Check Air Volume Control (AVC). Check air pressure valve operation.	Air over water tanks: repair or replace tanks; replace air pressure valve if necessary.
Leak in drop pipe.	Raise drop pipe one length at a time until water stands in pipe.	Replace pipe above that point.
Pressure switch too far from tank.	Measure distance from pressure switch to tank.	Move switch to within one foot (.3m) of tank.
<b>Little or no water delivered.</b>		
Bleeder orifice check valve stuck or installed backwards (standard tank only).	Examine valve.	If stuck, free valve; if installed backwards, reverse it.
Low water level.	Determine lowest water level in well while pump is running and compare to pump depth setting.	Lower pump further into well (but at least 5' (1.6m) above bottom of well). Throttle pump discharge until discharge equals recovery rate of well. <b>NOTICE</b> Running pump while airlocked can cause loss of prime and seriously damage pump.
Low voltage.	Check voltage at control box with pump running. Check incoming wire size and drop cable size against <i>Cable Sizing</i> tables.	Install larger wire from meter to control box. Install larger wire from control box to pump. If necessary, have power company raise supply voltage.
Plugged intake screen.	Pull pump and check condition of screen.	Clean or replace as necessary.
Check valve at pump discharge stuck.	Pull pump and examine check valve.	Free check valve.
Worn impellers and diffusers.	Make sure system is clear of obstructions and pump is in solid water and operation normal.	Replace pump.
<b>Air or milky water discharge from faucets.</b>		
Gas in well water.	Check for presence of gas in well water.	Remove bleeder orifices; plug tees. Be sure plugged tees do not leak. If necessary, separate gas from air before it enters pressure tank.
Air volume control not working (standard tanks only).	Make sure ports and ball check valves are clear.	Replace control if necessary.

### Limited Warranty

PENTAIR warrants to the original consumer purchaser ("Purchaser" or "You") of the products listed below, that they will be free from defects in material and workmanship for the Warranty Period shown below.

Product	Warranty Period
Water Systems Products — jet pumps, small centrifugal pumps, submersible pumps and related accessories	<i>whichever occurs first:</i> 12 months from date of original installation, 18 months from date of manufacture
PENTEK INTELLIDRIVE™	12 months from date of original installation, or 18 months from date of manufacture
Pro-Source® Composite Tanks	5 years from date of original installation
Pro-Source® Steel Pressure Tanks	5 years from date of original installation
Pro-Source® Epoxy-Line Tanks	3 years from date of original installation
Sump/Sewage/Effluent Products	12 months from date of original installation, or 18 months from date of manufacture

Our warranty will not apply to any product that, in our sole judgment, has been subject to negligence, misapplication, improper installation, or improper maintenance. Without limiting the foregoing, operating a three phase motor with single phase power through a phase converter will void the warranty. Note also that three phase motors must be protected by three-leg, ambient compensated, extra-quick trip overload relays of the recommended size or the warranty is void.

Your only remedy, and PENTAIR's only duty, is that PENTAIR repair or replace defective products (at PENTAIR's choice). You must pay all labor and shipping charges associated with this warranty and must request warranty service through the installing dealer as soon as a problem is discovered. No request for service will be accepted if received after the Warranty Period has expired. This warranty is not transferable.

PENTAIR IS NOT LIABLE FOR ANY CONSEQUENTIAL, INCIDENTAL, OR CONTINGENT DAMAGES WHATSOEVER.

THE FOREGOING LIMITED WARRANTIES ARE EXCLUSIVE AND IN LIEU OF ALL OTHER EXPRESS AND IMPLIED WARRANTIES, INCLUDING BUT NOT LIMITED TO IMPLIED WARRANTIES OF MERCHANTABILITY AND FITNESS FOR A PARTICULAR PURPOSE. THE FOREGOING LIMITED WARRANTIES SHALL NOT EXTEND BEYOND THE DURATION PROVIDED HEREIN.

Some states do not allow the exclusion or limitation of incidental or consequential damages or limitations on how long an implied warranty lasts, so the above limitations or exclusions may not apply to You. This warranty gives You specific legal rights and You may also have other rights which vary from state to state.

This Limited Warranty is effective June 1, 2011 and replaces all undated warranties and warranties dated before June 1, 2011.

**PENTAIR**

293 Wright St., Delavan, WI 53115

Phone (262) 728-5551 • Fax (262) 728-7323

## Table des matières

Directives de sécurité importantes . . . . .	13
Avant l'installation . . . . .	14
Rotation – (Moteurs triphasés seulement) . . . . .	14
Câblage . . . . .	17
Épissure des câbles . . . . .	18
Mise initiale en service . . . . .	20
Pompage des eaux résiduaires . . . . .	20
Raccordement sur le réseau d'eau et le réservoir	20
Dépannage . . . . .	21
Garantie . . . . .	23
Tableaux . . . . .	35
Diagrammes . . . . .	48

## Directives de sécurité importantes

**Conservez ces directives** – Ce manuel renferme d'importantes directives qu'il faut suivre durant l'installation et l'entretien de la pompe. Conservez ce manuel pour référence future.

Ce symbole **⚠** indique qu'il faut être prudent. Lorsque ce symbole apparaît sur la pompe ou dans cette Notice, recherchez une des mises en garde qui suivent, car elles indiquent un potentiel de blessures corporelles!

Le mot signal **⚠ DANGER** indique un danger qui, s'il n'est pas évité, causera la mort ou des blessures graves.

Le mot signal **⚠ AVERTISSEMENT** indique un risque qui, s'il n'est pas évité, pourrait causer la mort ou des blessures graves.

Le mot signal **⚠ ATTENTION** indique un risque qui, s'il n'est pas évité, pourrait causer des blessures mineures ou modérées.

Le mot **AVIS** est utilisé pour les pratiques qui ne sont pas reliées aux blessures personnelles.

Pour éviter des blessures corporelles graves, voire mortelles, et toute possibilité de causer des dommages matériels, lisez attentivement les consignes de sécurité qui suivent et les observer.

**⚠ AVERTISSEMENT** **Tension dangereuse.** Risque de secousses électriques, de brûlures, voire de mort. Pour éviter toute possibilité de secousses électriques graves ou mortelles, n'utiliser la pompe que dans un puits.

**⚠ AVERTISSEMENT** **Risque d'électrocution dangereuse,** voire mortelle. Ne pas installer cette pompe dans un étang, une rivière ni dans une masse d'eau à l'air libre dans lesquels des personnes pourraient nager ou s'amuser. Ne pas nager, patauger ni jouer dans une masse d'eau à l'air libre dans laquelle une pompe submersible est installée.

- L'installation doit être conforme au National Electrical Code des États-Unis, au Code canadien de l'électricité et aux codes de la municipalité (selon le cas) relatifs à tous les câblages.
- Avant d'installer la pompe ou d'intervenir sur la pompe, couper le courant qui l'alimente.
- S'assurer que la tension de secteur et que la fréquence du courant secteur correspondent à la tension et à la fréquence indiquées sur la plaque signalétique du moteur.

**⚠ AVERTISSEMENT** **Pression dangereuse.** Dans certaines conditions, les pompes submersibles peuvent développer des pressions extrêmement élevées. Poser une soupape de décharge pouvant laisser passer tout le débit de la pompe à une pression de 517 kPa (75 lb/po<sup>2</sup>). Dans le cas d'un réservoir préchargé, poser une soupape de décharge pouvant laisser passer tout le débit de la pompe à une pression de 690 kPa (100 lb/po<sup>2</sup>).

**⚠ ATTENTION** **Risque du gel.** Ne pas laisser geler la pompe, le réservoir sous pression, les tuyauteries ou tout autre composant du système contenant de l'eau. Le gel risque d'endommager le système et de causer des blessures ou une inondation. Laisser la pompe ou ses composants geler annulera la garantie.

**⚠ AVERTISSEMENT** **Lié à la Proposition 65 de la Californie**

Ce produit et les accessoires connexes contiennent des produits chimiques reconnus dans l'État de la Californie comme pouvant provoquer des cancers, des anomalies congénitales ou d'autres dangers relatifs à la reproduction.

## Renseignements importants concernant la mise à la terre

**⚠ AVERTISSEMENT** **Tension dangereuse.** Risque de secousses, de brûlures, voire de mort. Pour minimiser les risques de secousses électriques pendant le fonctionnement de la pompe, mettre et relier à la terre la pompe et le moteur en procédant comme suit :

- Pour minimiser les risques de secousses électriques pouvant être causées par les pièces métalliques de l'ensemble autres que la pompe, raccorder ensemble toutes les pièces métalliques accessibles, côté couvercle du puits (y compris le tuyau de refoulement métallique, le tubage métallique du puits, etc.). Utiliser, jusqu'au moteur de la pompe, un conducteur de liaison métallique dont le diamètre sera au moins aussi gros que celui des conducteurs du câble descendant dans le puits.
- Avec un collier, attacher (ou souder - les deux au besoin) ce conducteur de liaison sur le moyen de mise à la terre prévu sur la pompe, qui sera la borne de mise à la terre de l'équipement, le conducteur de mise à la terre du corps de la pompe ou un fil de mise à la terre de l'équipement. Le fil de mise à la terre de l'équipement, lorsqu'il est fourni, est le conducteur à gaine verte qui peut également comporter une ou plusieurs bandes jaunes.
- Mettre à la terre la pompe, le moteur et tous les conduits métalliques qui supportent les conducteurs du câble d'alimentation. Mettre à la terre tous ces éléments sur le service en branchant un conducteur en cuivre qui ira de la pompe, du moteur et du conduit à la vis de mise à la terre prévue dans le coffret du câblage de la boîte de connexions d'alimentation. Le diamètre de ce conducteur doit être au moins aussi gros que celui des conducteurs du circuit d'alimentation de la pompe.

Pompe ou les composants du système de geler la garantie sera annulée.

Installer la pompe conformément à tous les codes relatifs à la plomberie, aux puits et aux pompes.

Avant d'utiliser un puits, faire analyser son eau pour en connaître sa pureté. Appeler le bureau local du Ministère de la santé sur la façon de faire procéder à cette analyse.

Pendant l'installation, garder le puits le mieux couvert possible pour empêcher que des corps étrangers et que des feuilles tombent dedans. Si des corps étrangers tombent dans le puits, ils risquent de contaminer l'eau et de causer de graves dommages mécaniques à la pompe.

De la pâte d'étanchéité pour raccords filetés risque de fissurer les plastiques. Il faut donc n'utiliser que du ruban d'étanchéité en PTFE pour filetage pour rendre étanches les tuyaux en plastique ou pour raccorder les tuyaux en plastique sur les pompes thermoplastiques.

## Avant l'installation

Inspecter la pompe et le moteur pour s'assurer qu'ils n'ont pas été endommagés pendant le transport. Reporter immédiatement tout dommage au transporteur ou au marchand.

Le foreur du puits devra débarrasser complètement le puits de toutes les petites particules de sable et de corps étrangers avant que la pompe puisse être installée.

Les débits de la pompe sont basés sur le pompage d'eau à l'état liquide, froide et ne contenant pas d'air.

La garantie sera nulle et non avenue dans les cas suivants :

- Si la pompe a pompé une quantité excessive de sable, ce dernier pouvant causer une usure prématurée de la pompe.
- Si l'eau est corrosive.
- Si de l'air ou des gaz entraînés sont présents dans l'eau pompée, ces derniers pouvant diminuer le débit et causer la cavitation de la pompe, ce qui risque de l'endommager.
- Si la pompe a fonctionné alors que le robinet de refoulement était fermé, elle subira de graves dommages internes.

Installer la pompe à au moins 4,50 à 6 mètres (15 à 20 pieds) sous le niveau de l'eau le plus bas atteint pendant que la pompe fonctionne (niveau le plus bas admis de l'eau dans le puits) et à au moins 1,50 mètre (5 pieds) du fond du puits.

Voir la section *Tableaux* d'information sur la protection de surcharge du moteur submersible, les spécifications boîte de contrôle, fusion recommandée, et les exigences de câblage de service. Voir aussi la section *Diagrammes* pour les schémas de câblage montrant différentes installations de pompes submersibles.

### Câblage et mise à la terre :

**⚠ AVERTISSEMENT Tension dangereuse.** Risque de secousses électriques, de brûlures, voire de mort. Avant de faire parvenir le courant électrique au moteur, mettre, en permanence à la terre, la pompe, le moteur et la boîte de commande.

Mettre à la terre la pompe et le moteur conformément aux codes et aux décrets de la municipalité. Pour la mise à la terre, utiliser un fil en cuivre dont le diamètre sera au moins aussi gros que le diamètre des conducteurs du câble branché sur le moteur.

Le moteur est livré avec un fil de mise à la terre en cuivre. Épisser ce fil de mise à la terre sur un conducteur de cuivre ayant le même calibre que le fil du moteur, comme il est spécifié dans les tableaux *Câble tableaux de dimensionnement*. Voir *Épissure des câbles* pour connaître les différentes méthodes d'épisser les câbles.

Avant de brancher le câble sur l'alimentation en courant, mettre en permanence à la terre la pompe, le moteur et la boîte de commande. Brancher tout d'abord le fil de terre sur une mise à la terre, puis brancher l'équipement qu'on installe. Ne pas brancher le fil de mise à la terre sur une canalisation de gaz.

**⚠ AVERTISSEMENT Risque d'incendie et de secousses électriques.** Si le calibre des conducteurs du câble branché entre la pompe et la boîte de commande est d'un plus gros calibre que n° 10 (5,5 mm<sup>2</sup>) (fil n° 8 (8,4 mm<sup>2</sup>), par exemple), brancher le câble sur une boîte de jonction séparée. Brancher ensuite la boîte de jonction sur la boîte de commande à l'aide d'un câble à conducteurs de calibre n° 10 (5,5 mm<sup>2</sup>).

Pour de plus amples renseignements, s'adresser aux autorités municipales compétentes.

### Connexions du câblage :

Tout le câblage doit être conforme au National Electrical Code des États-Unis, au Code canadien de l'électricité et aux codes de la municipalité (selon le cas).

N'utiliser que du fil en cuivre pour les connexions sur la pompe et sur la boîte de commande.

Pour que les fils ne surchauffent pas et pour empêcher toute chute excessive de tension côté moteur, s'assurer, en fonction de la puissance de la pompe et de la longueur des fils, que le diamètre des fils est au moins aussi gros que le diamètre des fils, indiqué dans le Tableau V.

**AVIS** Se reporter *Diagrammes* pour le branchement type des fils et la sélection des boîtes de commande.

**AVIS** Lorsqu'un dispositif de protection thermique n'est pas fourni, poser une commande de moteur approuvée protégée contre les surcharges et correspondant à l'intensité en ampères à pleine charge à l'entrée du moteur. Choisir ou régler le ou les composants de protection contre les surcharges conformément aux instructions livrées avec la commande. Lorsqu'un dispositif de protection thermique incorporé est fourni, utiliser une commande de moteur approuvée correspondant à l'intensité en ampères à pleine charge à l'entrée du moteur.

### Rotation – (Moteurs triphasés seulement)

Pour s'assurer que le moteur tourne dans le bon sens, procéder prudemment comme suit :

Après avoir procédé aux connexions électriques comme il est indiqué dans cette Notice, et pendant que la pompe est dans le puits et qu'elle est supportée par la bride du tuyau de refoulement, fermer momentanément l'interrupteur raccordant le moteur au courant secteur, puis le rouvrir. Remarquer le sens dans lequel la pompe est secouée lorsque le moteur démarre. Si les connexions sont bien faites, l'à-coup de la pompe se fera à droite au démarrage du moteur lorsqu'on fait face au refoulement de la pompe. Si l'à-coup se fait à gauche, le moteur tourne dans le mauvais sens. Pour remédier à cet incident, inverser les connexions des conducteurs du câble sur les bornes du démarreur magnétique. Les connexions étant bien faites et la pompe étant abaissée dans l'eau, fermer de nouveau momentanément l'interrupteur, puis le rouvrir. Le débit de la pompe doit être conforme aux tableaux des débits.

### Protection contre les surcharges des moteurs submersibles triphasés - protection de classe 10 requise

Les caractéristiques des moteurs submersibles sont différentes de celles des moteurs standard. Une protection spéciale contre les surcharges est donc requise.

Si le moteur cale, le protecteur contre les surcharges doit pouvoir se déclencher dans les 10 secondes qui suivent de façon à protéger les enroulements du moteur. Toutes les sélections des protecteurs contre les surcharges recommandés sont du type à température compensée ambiante, ce qui permet de toujours avoir une protection adéquate, que la température ambiante soit élevée ou basse.

Tous les réchauffeurs et tous les réglages indiqués sont basés sur l'intensité totale en ampères de la tension de secteur. Si un moteur à six fils est utilisé avec un démarreur étoile-triangle, diviser les ampères du moteur par 1,732 pour sélectionner ou régler les ampères de la phase portante des réchauffeurs.

Se reporter au *Tableau 1* pour les protections concernant les surcharges des moteurs PENTEK.

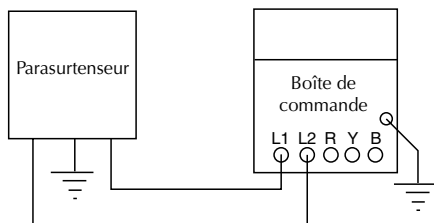
**AVIS** La garantie des moteurs triphasés submersibles est nulle et non avenue si une protection à déclenchement rapide adéquate n'est pas installée sur les trois lignes du moteur.

## Parasurtenseur câblés sur les boîtes de commande

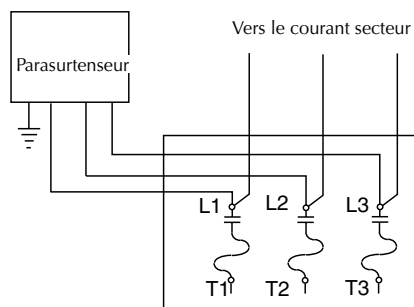
Mise à la terre : Si la boîte de commande est dotée d'un parasurtenseur, ce parasurtenseur DOIT être mis à la terre, métal sur métal, jusqu'à la couche encaissante de l'eau, pour que le protecteur contre les sautes de tension soit efficace. Mettre à la terre le protecteur contre les sautes de tension sur une tige enfoncée dans la terre n'offre que très peu de protection du moteur, sinon aucune.

**AVIS** Les protecteurs contre les sautes de tension NE protègent PAS contre les coups de foudre directs.

Poser un protecteur contre les sautes de tension mis à la terre pour protéger la pompe contre les surtensions. Installer le protecteur contre les sautes de tension sur le courant secteur alimentant la boîte de commande ou le manostat, aussi près que possible du moteur de la pompe. Se reporter aux Figures 1 et 2 pour les schémas de câblage de l'installation des protecteurs contre les sautes de tension.



**Figure 1 – Parasurtenseur trifilaire monophasé de 230 volts**



**Figure 2 - Parasurtenseur triphasé (650 volts maximum)**

**AVIS** Mettre le protecteur contre les sautes de tension à la terre à l'aide d'un fil nu de calibre n° 10 ou plus gros. Procéder à la mise à la terre conformément aux codes de la municipalité.

**AVIS** S'il est contraire aux codes de l'électricité de la municipalité de câbler les protecteurs contre les sautes de tension sur la boîte de commande, s'adresser à la compagnie d'électricité pour de plus amples renseignements concernant le câblage.

## Relais de protection contre les surcharges réglables recommandés

Série AEG :

B17S, B27S, B27-2.

Allen Bradley :

Bulletin 193, SMP catégorie 10 seulement.

Types Fanal :

K7 ou K7D jusqu'à K400.

Franklin Electric :

Subtrol-Plus

General Electric :

CR4G, CR7G, RT\*1, RT\*2, RTF3, RT\*4, CR324X — Catégorie 10 seulement.

Types Klockner-Moeller :

Z00, Z1, Z4, PKZM1, PKZM3, PKZ2.

Lovato :

RC9, RC22, RC80, RF9, RF25, RF95.

Types Siemens :

3UA50, -52, -54, -55, -58, -59, -60, -61, -62, -66, -68, 70, 3VU13, 3VE, 3UB (Catégorie 5).

Types Sprecher et Schuh : CT, CT1, CTA 1, CT3K, CT3-12 jusqu'à CT3-42, KTA3, CEF1 et CET3 réglés à un maximum de 6 secondes, CEP 7, catégorie 10, CT4, 6 et 7, CT3.

Square D/Télémeccanique :

Types de la catégorie 9065, TD, TE, TF, TG, TJ, TK, TR, TJE, TJF (catégorie 10) ou LR1-D, LR1-F, LR2-D13, — D23, — D33, types 18A, 32A, catégorie SS 10, catégorie SR 10 et série 63-A-LB. Relais intégraux 18, 32, 63, GV2-L, GV2-M, GV2-P, GV3-M (de 1,6 à 10 ampères seulement).

Types Westinghouse :

FT13, FT23, FT33, FT43, K7D, K27D, K67D, Advantage (catégorie 10), MOR, IQ500 (catégorie 5).

Les autres types de relais fournis par ces fabricants, ainsi que ceux d'autres fabricants, peuvent ou peuvent ne pas assurer une protection acceptable. Pour de plus amples renseignements, s'adresser au service à la clientèle de Pentair.

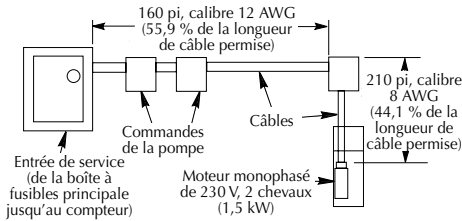
Certains types approuvés ne sont peut-être pas disponibles pour toutes les puissances nominales indiquées des moteurs. Si des relais sont utilisés avec des transformateurs de courant, le réglage des relais correspond à l'intensité en ampères spécifiée divisée par le rapport du transformateur.

## Calcul du calibre des câbles

### Lorsque deux calibres différents peuvent être utilisés (en pieds)

Parfois, il est préférable d'utiliser plus qu'un calibre de câble pour l'installation.

Par exemple : On doit remplacer une pompe équipée d'un moteur monophasé de 230 volts ayant une puissance de 2 chevaux. Le moteur est à 210 pieds dans le puits et 160 pieds de câble n° 12 sont enterrés entre l'entrée de service et la tête du puits. Pour ne pas avoir à remplacer le câble enterré, la question est la suivante : Quel calibre de câble doit-on utiliser dans le puits? Le calculer comme suit :

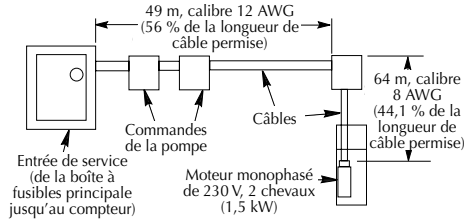


1. Conformément au *Tableau VIII*, une longueur totale de 286 pieds de câble n° 12 peut être utilisée pour alimenter en courant un moteur d'une puissance de 2 chevaux. Le pourcentage de ce total utilisé par le câble de 160 pieds enterré est :  $160 \text{ pieds} / 286 \text{ pieds} = 0,559 = 55,9 \%$ .
2. Avec 55,9 % de la longueur totale permise déjà utilisée, il ne reste plus que 44,1 % à utiliser dans le puits. Pour ne pas poser un câble trop petit qui causera une chute de la tension alimentant le moteur, nous devons déterminer un calibre de câble suffisamment gros de façon que les 210 pieds représentent moins de 44,1 % de la longueur totale permise pour ce calibre.
3. Si on essaie le câble n° 10 du *Tableau VIII*, on s'aperçoit que la longueur totale permise pour alimenter un moteur de 2 chevaux est de 456 pieds.  $456 \text{ pieds} \times 44,1 \% = 456 \text{ pieds} \times 0,441 = 201 \text{ pieds}$ . Cette longueur n'est pas suffisante.
4. Si on essaie le câble n° 8 du *Tableau VIII*, on s'aperçoit que la longueur totale permise est de 722 pieds.  $722 \text{ pieds} \times 44,1 \% = 722 \text{ pieds} \times 0,441 = 318 \text{ pieds}$ . Cette longueur est plus que suffisante. Un câble n° 8 peut donc être utilisé pour les 210 pieds de câble qui descendent dans le puits. Toutes les combinaisons de calibre peuvent être utilisées, à condition que le pourcentage total de la longueur des deux calibres de câble ne dépasse pas 100 % des longueurs permises.

### Lorsque deux calibres différents peuvent être utilisés (en mètres)

Parfois, il est préférable d'utiliser plus qu'un calibre de câble pour l'installation.

Par exemple : On doit remplacer une pompe équipée d'un moteur monophasé de 230 volts ayant une puissance de 2 chevaux. Le moteur est à 64 mètres dans le puits et 49 mètres de câble n° 12 sont enterrés entre l'entrée de service et la tête du puits. Pour ne pas avoir à remplacer le câble enterré, la question est la suivante : Quel calibre de câble doit-on utiliser dans le puits? Le calculer comme suit :



1. Conformément au *Tableau IX*, une longueur totale de 87 mètres de câble n° 12 peut être utilisée pour alimenter en courant un moteur d'une puissance de 2 chevaux. Le pourcentage de ce total utilisé par le câble de 49 mètres enterré est :  $49 \text{ mètres} / 87 \text{ mètres} = 0,56 = 56 \%$ .
2. Avec 56 % de la longueur totale permise déjà utilisée, il ne reste plus que 44,1 % à utiliser dans le puits. Pour ne pas poser un câble trop petit qui causera une chute de la tension alimentant le moteur, nous devons déterminer un calibre de câble suffisamment gros de façon que les 64 mètres représentent moins de 44 % de la longueur totale permise pour ce calibre.
3. Si on essaie le câble n° 10 du *Tableau IX*, on s'aperçoit que la longueur totale permise pour alimenter un moteur de 2 chevaux est de 139 mètres.  $139 \text{ mètres} \times 44 \% = 139 \text{ mètres} \times 0,44 = 61 \text{ mètres}$ . Cette longueur n'est pas suffisante.
4. Si on essaie le câble n° 8 du *Tableau IX*, on s'aperçoit que la longueur totale permise est de 220 mètres.  $220 \text{ mètres} \times 44 \% = 220 \text{ mètres} \times 0,44 = 97 \text{ mètres}$ . Cette longueur est plus que suffisante. Un câble n° 8 peut donc être utilisé pour les 64 mètres de câble qui descendent dans le puits. Toutes les combinaisons de calibre peuvent être utilisées, à condition que le pourcentage total de la longueur des deux calibres de câble ne dépasse pas 100 % des longueurs permises.



## Schémas de câblage pour l'installation des moteurs monophasés à 3 conducteurs

**⚠ AVERTISSEMENT** **Tension dangereuse.** Risque de secousses électriques, de brûlures, voire de mort. Mettre à la terre la boîte de commande, toutes les tuyauteries métalliques et la carcasse du moteur à l'aide d'un conducteur en cuivre, et ceci conformément aux codes de la municipalité. Utiliser un fil de mise à la terre d'un diamètre au moins aussi gros que celui des conducteurs du câble alimentant le moteur en courant.

**AVIS** Dans le cas des moteurs d'une puissance de 1 1/2 cheval et plus, utiliser un démarreur magnétique pour ne pas endommager le manostat. Consulter l'usine pour de plus amples renseignements concernant le câblage.

Obturer en permanence toutes les ouvertures non utilisées de cet équipement et de tout autre équipement.

Couper le courant alimentant la boîte de commande avant d'intervenir sur ou autour de la boîte de commande, des tuyaux, du câblage, de la pompe ou du moteur.

Pour être sûr que le relais de démarrage fonctionnera et que les surcharges ne provoqueront pas des « déclenchements intempestifs », installer la boîte de commande à la verticale, en orientant son dessus vers le haut.

Câbler la boîte de commande comme il est indiqué aux *Diagrammes*. La pompe ne fonctionnera pas sans une boîte de commande. De plus, les boîtes de commande de luxe doivent être dotées d'un interrupteur, ou bien un fil volant doit être branché entre les bornes « SW » et « L2 ». Le moteur brûlera si on n'utilise pas une boîte de commande.

L'installation doit être conforme au National Electrical Code des États-Unis, au Code canadien de l'électricité et aux codes de la municipalité (selon le cas) relatifs à tous les câblages.

**Si le relais de surcharge principal se déclenche, déterminer :**

1. S'il y a court-circuit dans le condensateur.
2. S'il y a des problèmes de tension.
3. Si la pompe est surchargée ou bloquée.

**AVIS** Appareiller le moteur à la boîte de commande, comme il est indiqué aux Spécifications.

## Régulateur de niveau de liquide pendant les cycles de pompage :

Poser un régulateur de niveau de liquide pendant les cycles de pompage sur le puits pour ne pas pomper le puits à sec. Se reporter aux *Schémas de câblage* pour savoir comment installer ces régulateurs.

**AVIS** Mettre à la terre les régulateurs conformément aux codes de la municipalité.

Si la surcharge du relais de démarrage se déclenche, remplacer le relais de démarrage. Réarmer le relais et déterminer la cause de son déclenchement. Pour ne pas brûler le moteur, ne pas enlever ni mettre en court-circuit la protection contre les surcharges.

## Méthode de vérification (pour toutes les boîtes) :

**⚠ AVERTISSEMENT** **Tension dangereuse.** Risque de secousses électriques, de brûlures, voire la mort. Débrancher le courant alimentant la boîte de commande avant de procéder aux vérifications qui suivent.

- A. Généralités.** (Le courant alimentant la boîte de commande étant coupé.)
  1. Couper le courant de secteur.
  2. Inspecter s'il y a des pièces endommagées ou brûlées, des connexions desserrées, etc.
  3. Rechercher s'il y a de mauvaises connexions en se reportant au schéma se trouvant à l'intérieur de la boîte de commande.
  4. Si la boîte est trop chaude, les disjoncteurs risquent de se déclencher ou les fusibles risquent de fondre. Aérer la boîte de commande ou la déplacer à l'ombre. L'éloigner de toute source de chaleur.
  5. Si aucun problème n'a été déterminé, vérifier le moteur et la boîte de commande. Procéder aux contrôles qui suivent.
- B. Contrôle de mise à la terre** (résistance d'isolement). (Le courant alimentant la boîte de commande étant coupé)
  1. Réglage de l'ohmmètre : Sur l'échelle la plus haute (habituellement Rx100K ou Rx10,000).
  2. Connexions des bornes : Un fil de l'ohmmètre étant branché sur la vis de « terre » de la boîte de commande, toucher, avec l'autre fil, chaque borne de la plaque à bornes.
  3. Valeur de l'ohmmètre : L'aiguille doit rester sur infini ( $\infty$ ) et ne pas osciller.
- C. Contrôles du condensateur.** (Le courant alimentant la boîte de commande étant coupé.)
 

**⚠ AVERTISSEMENT** **Risque de secousses électriques.**  
Court-circuiter le condensateur au travers des bornes avant de procéder au contrôle.

  1. Réglage de l'ohmmètre : Rx1000.
  2. Connexions des bornes : Brancher les fils de l'ohmmètre sur les fils noir et orange sortant du boîtier du condensateur.
  3. Valeur de l'ohmmètre : L'aiguille doit aller vers « zéro », puis « revenir » à infini ( $\infty$ ). Le condensateur est en court-circuit si l'aiguille ne revient pas à ( $\infty$ ), il est ouvert si elle reste sur ( $\infty$ ).
  4. Pour reconstrôler le condensateur, inverser les connexions de l'ohmmètre sur les bornes du condensateur.
- D. Contrôle des interrupteurs Triac.** (Interrupteur à semi-conducteurs seulement.)
  1. Réglage de l'ohmmètre : Rx1000.
  2. Brancher les fils de l'ohmmètre sur la borne « R » (démarrage) et sur la borne du fil orange de l'interrupteur de démarrage.
  3. Valeur de l'ohmmètre : infini ( $\infty$ ).
- E. Contrôle de la bobine.** (Interrupteur à semi-conducteurs seulement.)
  1. Réglage de l'ohmmètre : Rx1.
  2. Brancher les fils de l'ohmmètre sur les bornes « Y » (commun) et L2 et sur la borne du fil orange de l'interrupteur de démarrage.
  3. Valeur de l'ohmmètre : infini ( $\infty$ ).

## Épissure des câbles

Épisser les fils du câble sur les fils du moteur. Pour cela, utiliser une des trois méthodes décrites ci-dessous. N'utiliser que des conducteurs en cuivre pour les connexions sur le moteur de la pompe et la boîte de commande. Utiliser uniquement du ruban isolant homologué UL® pouvant être immergé.

**Épissure protégée par du ruban isolant adhésif** (fils de calibre n° 8 (8,4 mm<sup>2</sup>) ou plus gros) :

1. Couper les fils du moteur. Décaler les coupes des fils de façon que le deuxième fil soit 50 mm (2 pouces) plus long que le premier fil et que le troisième fil soit 50 mm (2 pouces) plus long que le deuxième fil.
2. Couper les extrémités du câble. S'assurer d'assortir les couleurs et les longueurs des conducteurs du câble descendant dans le puits avec celles des fils du moteur.
3. Dénuder sur 13 mm (1/2 pouce) les extrémités des conducteurs du câble, de même que les extrémités des fils du moteur.
4. Introduire les fils du moteur et les conducteurs du câble dans les connecteurs bout à bout. (Se reporter à la Figure 3.) S'assurer d'assortir les couleurs des conducteurs du câble descendant dans le puits avec celles des fils du moteur.
5. À l'aide d'une pince à sertir (se reporter à la Figure 6), écraser les pattes du connecteur bout à bout pour immobiliser les fils. (Se reporter à la Figure 4.)



Figure 3



Figure 4



Figure 5

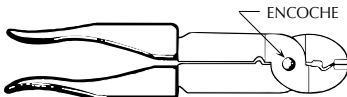


Figure 6



Figure 7

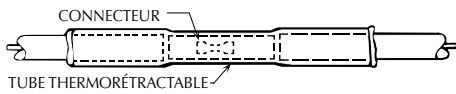


Figure 8

6. Couper le mastic isolant en trois parties égales et former des manchons connecteurs bien ajustés. S'assurer que l'isolant mastic isolant électrique chevauche la partie isolée des fils.
7. Avec du ruban isolant électrique, bien envelopper chaque connexion; recouvrir les fils sur environ 4 cm au-delà de la connexion. Mettre quatre épaisseurs de ruban. Autrement dit, lorsque l'on aura fini, on devra avoir quatre épaisseurs de ruban fermement enroulées autour des fils. Appuyer fermement le ruban sur les fils. (Se reporter à la Figure 7.)

**AVIS** Étant donné que le ruban enroulé autour des fils est le seul moyen d'empêcher l'eau de pénétrer dans les épissures, l'efficacité des épissures dépendra de la précaution qu'on aura pris pour envelopper les fils.

**AVIS** Dans le cas de fils de calibre n° 8 (8,4 mm<sup>2</sup>) ou plus gros, les souder plutôt que d'utiliser du mastic isolant Scotchfil. (Se reporter à la Figure 5.)

**Épissure protégée par un tube thermorétractable** (pour les fils de calibre nos 14, 12 et 10 AWG ou de 2, 3 et 5,5 mm<sup>2</sup>) :

1. Sur 10 mm (3/8 de pouce), dénuder les extrémités des fils du moteur, de même que les extrémités des conducteurs du câble descendant dans le puits.
2. Glisser un tube thermorétractable en plastique sur chaque fil du moteur.
3. Assortir les couleurs et les longueurs des conducteurs du câble descendant dans le puits avec celles des fils du moteur.
4. Introduire les conducteurs du câble et les fils du moteur dans les connecteurs bout à bout et les sertir. (Se reporter aux Figures 3 et 4.) S'ASSURER d'assortir les couleurs de conducteurs du câble descendant dans le puits avec celles des fils du moteur. Tirer sur les fils pour s'assurer que les connexions sont bonnes.
5. Centrer un tube thermorétractable sur chaque connexion, puis chauffer chaque tube avec une lampe à souder (la chaleur d'un briquet ou d'une allumette ne sera pas suffisante).

**AVIS** Déplacer la lampe à souder de droite à gauche. Ne pas la tenir toujours au même endroit. Une trop forte concentration de chaleur risque d'endommager le tube. (Se reporter à la Figure 8.)

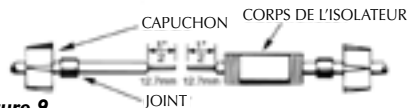


Figure 9



Figure 10

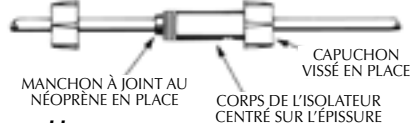


Figure 11

**Connecteur bout à bout avec isolateurs en plastique** (pour les fils de calibre 14, 12 et 10 AWG ou 2,5, 4 et 6 mm<sup>2</sup>) :

1. Couper les fils du moteur. Décaler les longueurs des fils de façon que le deuxième fil soit 100 mm (4 pouces) plus long que le premier fil et que le troisième fil soit 100 mm (4 pouces) plus long que le deuxième.
2. Couper les extrémités du câble. S'assurer d'assortir les couleurs et les longueurs des conducteurs du câble descendant dans le puits avec celles des fils du moteur.
3. Dénuder les extrémités des conducteurs du câble et les extrémités des fils du moteur sur 13 mm (1/2 pouce).
4. Dévisser les capuchons en plastique des isolateurs. Glisser un capuchon et un manchon à joint au néoprène sur l'extrémité de chaque fil à épisser. (Se reporter à la Figure 9.)
5. Glisser le corps d'un isolateur sur une extrémité de chaque fil (Figure 9).
6. Introduire l'extrémité de chaque fil dans le connecteur bout à bout et le serrer (se reporter à la Figure 10). S'assurer d'assortir les couleurs des fils du moteur avec celles des conducteurs du câble.
7. Centrer le corps de l'isolateur sur l'épissure, puis glisser le manchon à joint au néoprène dans le corps aussi loin que possible. Visser les capuchons sur le corps des isolateurs. (Se reporter à la Figure 11.) Les serrer à la main pour une épissure solide et étanche.

## Installation du câble

1. Pour contrôler les câbles submersibles, les brancher momentanément sur une bonne alimentation en courant. La tension et la fréquence du courant d'alimentation doivent correspondre à  $\pm 10\%$  près à la fréquence et à la tension indiquées sur la plaque signalétique du moteur. (Pompes triphasées - Se *Rotation*.)
2. Bien attacher les conducteurs du câble sur la partie refoulement de la pompe. Laisser entre 100 et 127 mm (4 et 5 pouces) de mou dans le câble à ce point. Bien attacher les fils sur le tuyau en plastique, à 150 mm (6 pouces) de la partie de refoulement de la pompe. Poser une cale anticouple pour protéger la pompe et les tuyaux des dommages que pourraient causer les à-coups lorsque la pompe démarre et s'arrête.
3. Pour la mise à la terre, brancher le fil en cuivre sur le support du moteur. Ce fil doit être au moins du même calibre, sinon plus gros, que les conducteurs du câble alimentant le moteur en courant. Consulter le National Electrical Code, le Code canadien de

l'électricité et les codes de la municipalité (selon le cas) pour tous les renseignements concernant la mise à la terre.

4. N'utiliser que le câble submersible fourni par le fabricant de la pompe. Lorsqu'on abaisse la pompe dans le puits, attacher, tous les 3,50 m (10 pieds), le câble au tuyau de refoulement, avec du ruban isolant électrique. Faire bien attention de ne pas endommager le câble de la pompe.

**AVIS** Pour que la pompe ne tombe pas dans le puits et pour ne pas endommager le câble ou les épissures de câble, NE JAMAIS laisser le câble de la pompe supporter tout le poids de la pompe.

## Installation de la pompe

1. Si un réservoir sous pression galvanisé standard est utilisé, installer deux orifices de purge à environ 60 cm (2 pieds) l'un de l'autre, comme il est illustré à la page 62. Ces orifices chargeront automatiquement d'air le réservoir. Se reporter à la page 62 pour déterminer l'emplacement de ces orifices.

**AVIS** Si un réservoir préchargé (à vessie) est utilisé, NE PAS poser d'orifices de purge. Si la pompe et le réservoir préchargé remplacent un système à réservoir standard, déposer les orifices de purge avant d'installer la pompe dans le puits.

2. Pour que la pompe ne tombe pas dans le puits, attacher un filin de sécurité (corde en polypropylène torsadé ou en pronila d'au moins 8 mm (5/16 de pouce) suffisamment solide sur l'oeillet de refoulement de la pompe pour supporter la pompe et le tuyau de descente. Bien attacher l'autre extrémité du filin sur le joint du puits, le couvercle du puits ou l'adaptateur de branchement à coulisseau.
3. La sortie de refoulement comporte des filets de 2 pouces NPT (moteur de 60 Hz) ou de 2 pouces à filetage pas de gaz (BSP) (moteur de 50 Hz).

Utiliser un tuyau en plastique polyéthylène d'une résistance de 689,5 kPa (100 lb/po<sup>2</sup>) dans le cas des installations ayant jusqu'à 30,5 mètres (100 pieds) de profondeur.

Utiliser un tuyau en plastique polyéthylène d'une résistance de 6 103 kPa (160 lb/po<sup>2</sup>) dans le cas des installations ayant jusqu'à 67 mètres (220 pieds) de profondeur.

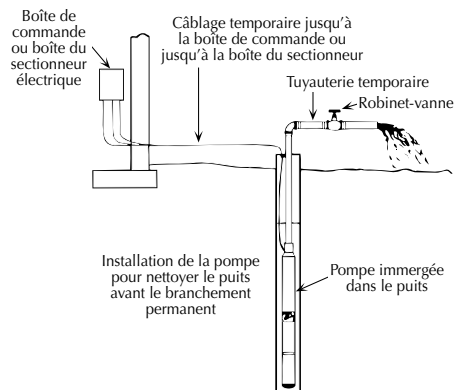
Pour les profondeurs dépassant 67 mètres (220 pieds), tout le tuyau de descente devra être en acier galvanisé.

## Mise initiale en service

**AVIS** NE JAMAIS faire fonctionner la pompe lorsque le robinet de refoulement est complètement fermé, sinon la pompe risque d'être détériorée et la garantie sera annulée.

**AVIS** Pour éviter que le sable bouche la pompe, observer ce qui suit lorsque l'on démarre la pompe pour la première fois. NE JAMAIS mettre en marche une pompe lorsque le refoulement est complètement ouvert, à moins d'avoir tout d'abord procédé à ce qui suit.

1. Brancher un coude de tuyau, une petite longueur de tuyau et un robinet-vanne sur le refoulement de la pompe, côté tête du puits. (Se reporter à la Figure 12.)



**Figure 12 - Typique de la pompe de démarrage**

2. Poser la boîte de commande du moteur (pompe à 3 fils) ou un sectionneur protégé par un fusible (pompe à 2 fils) ou un démarreur magnétique (pompe à moteur triphasé) dans un endroit qui sera toujours étanche. S'assurer que la boîte de commande ne sera jamais soumise à des chaleurs ni à une humidité extrêmes.
3. S'assurer que tous les interrupteurs sont sur ARR T.
4. Brancher les fils du moteur et l'alimentation en courant sur la boîte de commande du moteur ou sur le démarreur magnétique. (Se reporter *Installation Diagrams*). **Ne pas démarrer la pompe à cepoint.**
5. Ouvrir de 1/3 le robinet-vanne de la conduite de refoulement. Démarrer la pompe.
6. Laisser le robinet-vanne ouvert de 1/3 pendant que la pompe refoule l'eau sur le sol. Laisser tourner la pompe jusqu'à ce que l'eau ne contienne plus de sable ni de boue. (Pour vérifier si l'eau contient des matières solides, remplir un verre de l'eau pompée et attendre que les matières solides se déposent.)
7. Lorsque l'eau coule complètement claire pendant que le robinet-vanne est ouvert de 1/3, ouvrir le robinet-vanne aux 2/3 environ et répéter l'opération.
8. Lorsque l'eau coule complètement claire alors que le robinet-vanne est ouvert aux 2/3, ouvrir complètement le robinet-vanne et laisser tourner la pompe jusqu'à ce que l'eau coule complètement claire.
9. Déposer le robinet-vanne et procéder à l'installation permanente près du réservoir. (Se reporter aux pages 62 à 63.)

10. Poser un joint de puits sanitaire ou un adaptateur de branchement à coulisseau, un conduit électrique et la tuyauterie de surface, conformément aux codes de la municipalité.

## Pompage des eaux résiduaires

Il faut respecter les conditions suivantes par rapport aux pompes conçues et mises à l'essai pour pomper les eaux résiduaires :

**⚠ AVERTISSEMENT** **Risque de secousses électriques.** Ne pas enlever le fil électrique ni le réducteur de tension. Ne pas brancher le conduit à la pompe.

1. Seul du personnel qualifié doit installer la pompe et tout l'équipement de commande connexe.
2. Ventiler la fosse septique conformément aux codes de la municipalité.
3. Ne pas installer cette pompe dans un endroit classé comme dangereux par le Code canadien de l'électricité ou le National Electrical Code, ANSI/NFPA 70-2001.
4. Ces pompes doivent être branchées en permanence seulement. Poser un réducteur de tension sur l'arrivée de courant, côté boîte de commande. Tous les composants de commande doivent être classés UL et répondre aux besoins de l'utilisation.

## Raccordement sur le réseau d'eau et le réservoir

**⚠ AVERTISSEMENT** **Pression dangereuse.** Dans certaines conditions, les pompes submersibles peuvent développer des pressions extrêmement élevées. Poser une soupape de décharge pouvant laisser passer tout le débit de la pompe à une pression de 517 kPa (75 lb/po<sup>2</sup>). Dans le cas d'un réservoir préchargé, poser une soupape de décharge pouvant laisser passer tout le débit de la pompe à une pression de 690 kPa (100 lb/po<sup>2</sup>). Poser la soupape de décharge entre la pompe et le réservoir.

**AVIS** Si la pompe ou les tuyauteries gèlent, la pompe risque d'être sérieusement endommagée et la arantie sera annulée. Protéger la pompe et toutes les tuyauteries (y compris le réservoir sous pression) contre le gel.

### Raccordement sur un réservoir standard :

Se reporter à la page 62 pour le raccordement des tuyauteries sur un réservoir sous pression standard et pour la bonne distance à laisser entre les orifices de purge et le réservoir sous pression.

### Raccordement sur un réservoir sous pression préchargé :

Se reporter à la page 63 pour le raccordement des tuyauteries sur un réservoir sous pression préchargé.

**AVIS** Vérifier la pression d'air préchargée dans le réservoir avant de démarrer la pompe. Régler la précharge à 13,8 kPa (2 lb/po<sup>2</sup>) sous le réglage de démarrage de la pompe. (Par exemple, un réservoir préchargé muni d'un manostat de 30 à 50 doit être préchargé avec 193 kPa (28 lb/po<sup>2</sup>) d'air.) Corriger la précharge en ajoutant ou en purgeant de l'air par la valve qui se trouve en haut du réservoir. Vérifier la précharge tous les ans. La corriger au besoin.

Problèmes	Vérifier	Mesures correctives
<b>Le moteur ne démarre pas, mais les fusibles ne sautent pas.</b>		
Pas de tension	Pas de tension à la boîte à fusibles.	Consulter la compagnie d'électricité; vérifier la génératrice.
	Pas de tension à la boîte de commande.	Vérifier les connexions, refaire le câblage entre la boîte à fusibles et la boîte de commande.
	Pas de tension au manostat.	Vérifier les connexions; remplacer la boîte de commande; refaire le câblage entre la boîte de commande et le manostat.
	Pas de tension côté charge du manostat.	Vérifier les connexions; remplacer le manostat.
	Mauvais câble ou mauvaise épissure.	Consulter un électricien ou un technicien qualifié.
	La boîte de commande est mal câblée.	Bien recâbler la boîte de commande (se reporter aux <i>Schémas de câblage</i> .)
<b>Les fusibles sautent ou le dispositif de protection contre les surcharges se déclenche dès que le moteur démarre</b>		
Fusibles ordinaires ou fusibles temporisés de mauvais calibre.	Vérifier le calibre des fusibles d'après les <i>Tableaux</i> .	Poser un fusible ordinaire ou un fusible temporisé de bon calibre.
Conducteurs de diamètre trop petit.	Vérifier le diamètre des conducteurs d'après les <i>Tableaux</i> .	Poser des conducteurs de bon diamètre.
Condensateur du démarrage défectueux ou sauté.	Vérifier la boîte de commande pour s'assurer que le condensateur de démarrage n'a pas sauté.	Remplacer le condensateur de démarrage.
Haute ou basse tension.	Pendant que le moteur fonctionne, s'assurer que la tension du courant secteur correspond à $\pm 10\%$ près de la tension indiquée sur la plaque signalétique du moteur.	Si la fluctuation de la tension est supérieure à $\pm 10\%$ , appeler la Compagnie d'électricité pour faire régler la tension.
Conducteurs du câble mal branchés sur la boîte de commande.	Vérifier le schéma de câblage de la boîte de commande par rapport au branchement du courant de la ligne d'entrée.	Rebrancher les conducteurs pour qu'ils correspondent au schéma de câblage se trouvant à l'intérieur du couvercle de la boîte de commande.
	Vérifier le codage par couleur des conducteurs du câble descendant dans le puits.	Rebrancher le câble descendant dans le puits de façon que les couleurs des conducteurs du câble s'appaireillent à celles des fils du moteur.
Fil(s) cassé(s) dans la boîte de commande.	Examiner toutes les connexions et le câblage dans la boîte de commande.	Couper le courant et réparer ou remplacer le conducteur défectueux.
Pompe ou moteur grippé.	Vérifier si le rotor de la pompe est bloqué.	Au besoin, sortir la pompe du puits (avant cela, procéder à toutes les vérifications en surface). Si la pompe est grippée, la remplacer. Nettoyer le puits de tout le sable ou de toute la boue qu'il contient avant de reposer la pompe.
<b>Le fusible saute ou le dispositif de protection contre les surcharges se déclenche pendant que le moteur fonctionne</b>		
Haute ou basse tension.	Pendant que le moteur fonctionne, s'assurer que la tension du courant secteur correspond à $\pm 10\%$ près de la tension indiquée sur la plaque signalétique du moteur.	Si la fluctuation de la tension est supérieure à $\pm 10\%$ , appeler la compagnie d'électricité pour faire régler la tension.
Température ambiante (atmosphérique) élevée.	Vérifier la température de la boîte de commande.	Ne pas poser la boîte de commande dans un endroit où elle sera directement exposée aux rayons du soleil.
Boîte de commande de mauvaise tension ou de mauvaise puissance.	Comparer la tension et la puissance indiquées sur la plaque signalétique du moteur par rapport à celles indiquées sur la plaque signalétique de la boîte de commande ou sur le schéma de câblage se trouvant à l'intérieur du couvercle de la boîte de commande.	Remplacer la boîte de commande si la tension et la puissance ne correspondent pas.
Fils de calibre trop petit.	Vérifier le calibre des conducteurs en se reportant aux <i>Tableaux</i> .	Poser des conducteurs de bon calibre.
Les épissures du câble ou les fils du moteur font contact avec la terre, sont en court-circuit ou ouverts.	Consulter un électricien diplômé ou un technicien qualifié.	Ne pas essayer de démonter la pompe ni le moteur.

Problèmes	Vérifier	Mesures correctives
<b>La pompe démarre trop fréquemment</b>		
Fuites dans le système.	Vérifier tous les raccords du réservoir avec une eau savonneuse à la recherche de fuites d'air. Vérifier la tuyauterie à la recherche de fuites.	Le système doit être hermétique à l'air et étanche à l'eau.
Manostat.	Vérifier si le manostat est défectueux ou s'il est dérégulé.	Régler ou remplacer le manostat.
Réservoir saturé d'eau.	Précharger les réservoirs; vérifier la pression de l'air de précharge; voir s'il y a des fuites dans la vessie.	Précharger les réservoirs; régler la pression de l'air à 13,8 kPa (2 lb/po <sup>2</sup> ) plus bas que la pression de démarrage de la pompe (dès qu'il n'y a plus de pression d'eau dans le système). Remplacer la vessie au besoin.
	Réservoirs standard : S'assurer qu'il n'y a pas de fuites d'air. Vérifier le régulateur de volume d'air. Vérifier le fonctionnement de la soupape de purge.	Réservoirs standard : réparer ou remplacer les réservoirs. Remplacer les soupapes de purge au besoin.
La tuyauterie qui descend dans le puits fuit.	Sortir une longueur de tuyauterie du puits à la fois jusqu'à ce que l'eau reste dans la tuyauterie.	Remplacer la tuyauterie au-dessus de ce point.
Manostat trop éloigné du réservoir.	Mesurer la distance entre le manostat et le réservoir.	Déplacer le manostat à 30 cm (1 pied) du réservoir.
<b>Très peu de débit ou pas de débit d'eau</b>		
Le clapet anti-retour de l'orifice de purge est grippé ou a été posé à l'envers (réservoirs standard seulement).	Examiner le clapet.	Si le clapet est grippé, le dégripper. S'il est posé à l'envers, le reposer à l'endroit.
Niveau d'eau bas.	Déterminer le niveau d'eau le plus bas dans le puits pendant que la pompe fonctionne et le comparer avec le réglage en profondeur de la pompe.	Abaisser un peu plus la pompe dans le puits (mais pas à moins de 1,60 m (5 pieds) du fond du puits). Étrangler le refoulement de la pompe jusqu'à ce que le refoulement corresponde au taux de récupération du puits. AVIS Faire fonctionner la pompe alors que des bouchons d'air risquent de causer une perte d'amorçage et la pompe risque d'être sérieusement endommagée.
Basse tension.	Vérifier la tension à la boîte de commande pendant que la pompe fonctionne. Vérifier le calibre des conducteurs d'arrivée et le calibre du câble descendant dans le puits en se reportant aux <i>Tableaux</i> .	Poser des conducteurs de plus grand diamètre entre le compteur et la boîte de commande. Poser des conducteurs de plus grand diamètre entre la boîte de commande et la pompe. Au besoin, demander à la Compagnie d'électricité d'augmenter la tension du courant d'alimentation.
Crépine d'aspiration bouchée.	Sortir la pompe du puits et vérifier l'état de la crépine.	Nettoyer ou remplacer la crépine selon le besoin.
Clapet anti-retour grippé côté refoulement de la pompe.	Sortir la pompe du puits et examiner le clapet anti-retour.	Dégripper le clapet.
Impulseurs et diffuseurs usés.	S'assurer que le système n'est pas obstrué, que la pompe est bien plongée dans de l'eau ne contenant pas d'air et qu'elle fonctionne normalement.	Remplacer la pompe.
<b>De l'air ou de l'eau laiteuse sort des robinets</b>		
Gaz dans l'eau du puits.	Vérifier s'il y a présence de gaz dans l'eau du puits.	Déposer les orifices de purge. Boucher les tés. S'assurer que les tés bouchés ne fuient pas. Au besoin, séparer le gaz de l'air avant son entrée dans le réservoir sous pression.
Le régulateur de volume d'air ne fonctionne pas (réservoirs standard seulement).	S'assurer que les orifices et que les clapets à billes ne sont pas obstrués.	Au besoin, remplacer la commande.

**Garantie limitée**

PENTAIR garantit au consommateur initial (ci-après appelé l'« Acheteur ») que les produits énumérés dans les présentes sont exempts de défaut de matériau et de fabrication pendant la durée des garanties à compter de la durée des garanties indiquées ci-dessous.

<b>Produits</b>	<b>Durée des garanties</b>
Produits de systèmes d'eau — Pompes à éjecteur, petites pompes centrifuges, pompes submersibles et tous les accessoires connexes	<i>Selon le premier terme atteint :</i> 12 mois à compter de la date de la première installation ou 18 mois à compter de la date de fabrication
PENTEK INTELLIDRIVE™	12 mois à compter de la date de la première installation ou 18 mois à compter de la date de fabrication
Réservoirs composites Pro-Source®	5 ans à compter de la date de la première installation
Réservoirs sous pression en acier Pro-Source®	5 ans à compter de la date de la première installation
Réservoirs revêtus d'époxyde Pro-Source®	3 ans à compter de la date de la première installation
Produits de puisard/d'égout/d'effluents	12 mois à compter de la date de la première installation ou 18 mois à compter de la date de fabrication

Nos garanties ne s'appliquent pas aux produits ayant fait l'objet de négligence, d'une mauvaise utilisation, d'une mauvaise installation ou d'un manque d'entretien adéquat. Sans aucune limitation des présentes, la garantie des moteurs triphasés submersibles sera nulle et non avenue si ces moteurs sont branchés et fonctionnent sur le courant monophasé par l'intermédiaire d'un déphaseur. Il faut également noter que les moteurs triphasés doivent être protégés par un relais de surcharge tripolaire thermocompensé à déclenchement extrêmement rapide du calibre recommandé, sinon la garantie sera nulle et non avenue.

Le seul recours de l'Acheteur et la seule responsabilité de PENTAIR consistent à réparer ou à remplacer (au choix de PENTAIR) les produits qui se révéleraient défectueux. L'Acheteur s'engage à payer tous les frais de main-d'œuvre et d'expédition du produit couvert par sa garantie et de s'adresser au concessionnaire-installateur ayant procédé à l'installation dès qu'un problème est découvert pour obtenir un service sous garantie. Aucune demande de service en vertu de sa garantie ne sera acceptée après expiration de la durée de sa garantie. Ces garanties ne sont pas transférables.

PENTAIR DÉCLINE TOUTE RESPONSABILITÉ POUR TOUT DOMMAGE INDIRECT OU FORTUIT QUEL QU'IL SOIT.

LA GARANTIE LIMITÉE SUSMENTIONNÉE EST EXCLUSIVE ET REMPLACE TOUTES LES AUTRES GARANTIES EXPRESSES ET TACITES, Y COMPRIS, MAIS SANS S'Y LIMITER, LES GARANTIES DE QUALITÉ MARCHANDE ET D'ADAPTATION À UN USAGE PARTICULIER. LA GARANTIE LIMITÉE SUSMENTIONNÉE NE DOIT PAS ÊTRE PROLONGÉE AU-DELÀ DE LA DURÉE PRÉVUE AUX PRÉSENTES.

Certains états, territoires et certaines provinces ne permettent pas l'exclusion ou la limitation des dommages indirects ou fortuits, ni les limitations relatives à la durée des garanties tacites. Par conséquent, il se peut que les limitations ou les exclusions stipulées dans les présentes ne s'appliquent pas dans ce cas. Ces garanties accordent des droits juridiques précis, bien que l'on puisse bénéficier d'autres droits, selon la province, le territoire ou l'état dans lequel on réside.

La présente garantie limitée est entrée en vigueur le 1er juin 2011 et remplace toute garantie non datée ou antérieure à cette date.

**PENTAIR**

293 Wright St., Delavan, WI 53115

Téléphone : 1 262 728-5551 • Télécopieur : 1 262 728-7323

## Índice

Instrucciones importantes de seguridad . . . . .	24
Antes de la instalación . . . . .	25
Rotación - (trifásico solamente) . . . . .	25
Cableado . . . . .	28
Empalme del cable. . . . .	29
Arranque inicial . . . . .	31
Usos con aguas residuales / efluente . . . . .	31
Conexión al sistema de tanque/agua . . . . .	31
Resolución de problemas . . . . .	32
Garantía . . . . .	34
Cuadros . . . . .	35
Diagramas . . . . .	48

## Instrucciones importantes de seguridad

**Guarde estas instrucciones** - Este manual contiene instrucciones importantes que se deben seguir durante la instalación y el mantenimiento del bombas de sumidero. Guarde este manual para referencia futura.

**⚠** Este es un símbolo de alerta sobre la seguridad. Cuando vea este símbolo en su bomba o en este manual, busque para ver si hay alguna de las siguientes palabras de señal y esté alerta a la posibilidad de lesiones personales.

**⚠ PELIGRO** indica un riesgo que, de no evitarse, *provocará* la muerte o lesiones de gravedad.

**⚠ ADVERTENCIA** indica un riesgo que, de no evitarse, *podría* provocar la muerte o lesiones de gravedad.

**⚠ PRECAUCIÓN** indica un riesgo que, de no evitarse, *podría* provocar lesiones leves o moderadas.

**AVISO** hace referencia a una práctica no relacionada con una lesión física.

Para evitar lesiones personales graves o fatales y posibles daños materiales, lea y siga cuidadosamente las instrucciones de seguridad.

**⚠ ADVERTENCIA** **Tensión peligrosa.** Puede provocar choque eléctrico, quemaduras o muerte. Para evitar choques eléctricos peligrosos o fatales, use la bomba solamente dentro de un pozo de agua.

**⚠ ADVERTENCIA** **Riesgo de choque eléctrico.** No instale esta bomba en estanques, ríos o masas de agua abiertas que se puedan usar para natación o recreación. No nade, camine ni juegue en masas de agua en las que se haya instalado una bomba sumergible.

- Cumpla con el Código Eléctrico Nacional de los Estados Unidos, el Código Eléctrico Canadiense y los códigos locales (que correspondan) para todo el cableado.
- Desconecte el suministro de corriente eléctrica antes de instalar la bomba o de realizar tareas de reparación y mantenimiento.
- Verifique que la tensión de línea y la frecuencia del suministro de corriente eléctrica coincidan con la tensión y la frecuencia indicadas en la chapa de fábrica.

**⚠ ADVERTENCIA** **Presión peligrosa.** En ciertas situaciones, las bombas sumergibles pueden desarrollar una presión extremadamente alta. Instale una válvula de desahogo de presión capaz de pasar todo el caudal de la bomba a 75 PSI (517 kPa) cuando use un tanque de presión de aire sobre agua. Instale una válvula de desahogo de presión capaz de pasar todo el caudal de la bomba a 100 PSI (690 kPa)

cuando use un tanque de presión precargado.

**⚠ PRECAUCIÓN** **Riesgo de congelamiento.** No permita que la bomba, el tanque de presión, la tubería ni ningún otro componente del sistema que contenga agua, se congelen. El congelamiento puede dañar al sistema, provocando lesiones o inundaciones. La garantía quedará anulada si se permite que la bomba o los componentes del sistema se congelen.

### Advertencia de la Proposición 65 de California

**⚠ ADVERTENCIA** Este producto y accesorios relacionados contienen sustancias químicas reconocidas en el Estado de California como causantes de cáncer, malformaciones congénitas y otros daños al sistema reproductivo.

## Información eléctrica importante sobre la puesta a tierra

**⚠ ADVERTENCIA** **Tensión peligrosa.** Puede provocar choque eléctrico, quemaduras o muerte. Para reducir el riesgo de choque eléctrico durante la operación de la bomba, conecte y adhiera la bomba y el motor a tierra de la siguiente manera:

- Para reducir el riesgo de choque eléctrico producido por otras piezas metálicas de la unidad que no sea la bomba, una todas las piezas metálicas accesibles al cabezal del pozo (incluyendo la tubería metálica de descarga, el entubado metálico del pozo y partes similares). Use un conductor de unión para metales que sea por lo menos tan grande como los conductores del cable de corriente eléctrica que corren por el pozo al motor de la bomba.
- Sujete o suelde (o ambos de ser necesario) este conductor de unión al medio de puesta a tierra suministrado con la bomba, que será el borne de puesta a tierra de la máquina, el conductor de puesta a tierra en la caja de la bomba, o un conductor de puesta a tierra para la máquina. Cuando se suministre un conductor de puesta a tierra para la máquina, éste será el conductor con aislamiento verde y es posible que también tenga una o más franjas amarillas.
- Conecte a tierra la bomba, el motor y todo conducto metálico que lleve los conductores del cable de corriente eléctrica. Haga la conexión a tierra de estas piezas de regreso al servicio, conectando un conductor de cobre desde la bomba, el motor y el conducto, al tornillo de puesta a tierra suministrado dentro del compartimiento de cableado de la caja de conexión al suministro. Este conductor debe ser por lo menos tan grande como los conductores del circuito de suministro a la bomba.

Permitir que los componentes de la bomba o el sistema se congele anulará la garantía.

Instale la bomba conforme a todos los requisitos de los códigos de plomería, para bombas y pozos.

Haga una prueba de pureza en el agua antes de usar el pozo. Llame a su departamento local de sanidad para obtener información sobre los procedimientos para realizar la prueba.

Durante la instalación, mantenga el pozo cubierto lo más posible para evitar que hojas u objetos extraños caigan dentro del mismo. Los objetos extraños en el pozo pueden contaminar el agua y ocasionar daños mecánicos serios en la bomba.

Los compuestos para juntas de tuberías pueden ocasionar rajaduras en el plástico. Use solamente cinta sellante de PTFE para roscas de tubería para sellar las juntas en tuberías de plástico o en tuberías de conexión a bombas de temoplástico.



## Antes de la instalación

Verifique que la bomba y el motor no se hayan averiado durante la entrega.

Reporte todo daño inmediatamente a la empresa de transportes o a su representante de ventas.

El perforador del pozo deberá preparar el pozo debidamente (es decir, deberá bombear toda la arena fina y los objetos extraños) antes de instalar la bomba.

El desempeño de la bomba se basa en que pueda bombear agua líquida transparente y fría.

La garantía quedará invalidada en las siguientes situaciones:

- Si la bomba tiene demasiada arena - el exceso de arena puede provocar un desgaste prematuro de la bomba.
- Si el agua es corrosiva.
- Si la agua bombeada arrastra aire o gas - esto puede reducir el caudal y provocar cavitación lo que a su vez podrá dañar a la bomba.
- Si la bomba ha sido operada con la válvula de descarga cerrada - pueden ocurrir daños internos graves.

Instale la bomba por lo menos entre 15 y 20' (4.5 y 6 m) por debajo del nivel más bajo de agua alcanzado con la bomba en funcionamiento (nivel de extracción de agua más bajo), y por lo menos a 5' (1.5 m) por encima del fondo del pozo.

Vea la sección Tablas de información sobre la protección de sobrecarga del motor sumergible, las especificaciones de la caja de control, se recomienda la fusión, y los requisitos de servicio de cableado. Véase también la sección Diagramas de los diagramas de cableado que muestra varias instalaciones de bombas sumergibles.

## Cableado / puesta a tierra

**⚠ ADVERTENCIA** **Tensión peligrosa.** Puede provocar choque eléctrico, quemaduras o muerte. Conecte la bomba, el motor y la caja de control a tierra en forma permanente antes de conectar el suministro corriente eléctrica al motor.

Conecte la bomba y el motor a tierra conforme a los códigos y normas locales. Use un cable de cobre de conexión a tierra que sea por lo menos tan grande como los cables que llevan la corriente al motor.

El motor viene equipado con un cable de cobre de puesta a tierra. Empalme este cable a tierra a un conductor de cobre que concuerde con el tamaño del hilo del motor especificado en los cuadros de tamaños de cables, en las *Cuadro Tamaño de los cables*. Consulte las *Empalme del cable* para obtener las instrucciones sobre cómo empalmar el cable.

Conecte la bomba, el motor y la caja de control a tierra en forma permanente antes de conectar el cordón eléctrico al suministro de corriente eléctrica. Conecte el cable de puesta a tierra primero a la tierra aprobada y después conéctelo a la máquina que esté instalando.

No haga la conexión a tierra a través de una línea de suministro de gas.

**⚠ ADVERTENCIA** **Peligro de incendio y de choque eléctrico.**

Si usa un cable de derivación mayor que el No. 10 (5.5 mm<sup>2</sup>) (por ejemplo No. 8 (8.4 mm<sup>2</sup>) entre la bomba y la caja de control, haga correr un cable a una caja de derivación separada. Conecte la caja de derivación a la caja de control con un cable No. 10 (5.5 mm<sup>2</sup>).

Para obtener mayor información, comuníquese con los representantes oficiales locales del código.

## Conexiones de los cables

Cumpla con el Código Eléctrico Nacional de los Estados Unidos, el Código Eléctrico Canadiense y los códigos locales (que correspondan) en todo el cableado.

Use solamente cables de cobre para las conexiones a la bomba y a la caja de control.

Para evitar que el cable se recaliente y una derivación excesiva de tensión al motor, verifique que el tamaño del cable sea por lo menos tan grande como el tamaño indicado en el *Cuadro V* para la potencia (HP) de la bomba y el largo del trayecto del cable.

**AVISO** Consulte las *Diagramas* para obtener la información de las conexiones típicas de cables y la identificación de la caja de control.

**AVISO** Cuando no se haya suministrado una protección integral contra recalentamiento, use un control de sobrecarga de motor aprobado que coincida con la admisión del motor a máxima intensidad. Seleccione o ajuste el (los) elemento(s) de sobrecarga según las instrucciones del control. Cuando se haya suministrado una protección integral contra recalentamiento, use un control de motor aprobado que coincida con la admisión del motor a máxima intensidad.

## Rotación - (trifásico solamente)

Para verificar que el motor esté marchando en la dirección correcta, proceda cuidadosamente de la siguiente manera:

Después de haber hecho las conexiones eléctricas según se indica, y con la bomba colgando en el pozo, sostenida por la abrazadera en el tubo de descarga, encienda y apague el interruptor que conecta el motor a la línea de suministro de corriente eléctrica. Observe la rotación de la bomba cuando se encienda el motor. Si las conexiones se hicieron debidamente, la bomba "saltará" hacia la derecha si está mirando hacia la descarga de la bomba cuando se encienda. Si el "salto" es hacia la izquierda, el motor estará marchando en la dirección incorrecta. Cambie dos cables conductores cualesquiera en el lugar en que se conectan a los bornes de los "conductores" en el arranque magnético. Con las conexiones debidamente hechas, y la bomba dentro del agua, encienda el interruptor nuevamente y la bomba deberá extraer el agua según los gráficos de desempeño.

## Protección contra sobrecarga de motores sumergibles trifásicos - requiere protección de clase 10

Las características de los motores sumergibles son diferentes de las de los motores estándar y se requiere una protección especial contra sobrecarga.

Si el motor se para, el protector contra sobrecarga deberá dispararse dentro de los 10 segundos para proteger las bobinas del motor. Todas las selecciones recomendadas para sobrecarga son del tipo compensado para el medio ambiente de manera de que se pueda mantener la protección tanto a temperaturas de aire altas como bajas. Todas las graduaciones de los calentadores y del amperaje ilustradas se basan en el amperaje total de la línea.

Cuando use un motor de seis conductores con un arranque Wye-Delta, divida el amperaje del motor por 1,732 para seleccionar o ajustar los calentadores de amperios de la fase.

Consulte el *Cuadro 1* para obtener las especificaciones de sobrecarga para los motores PENTEK.

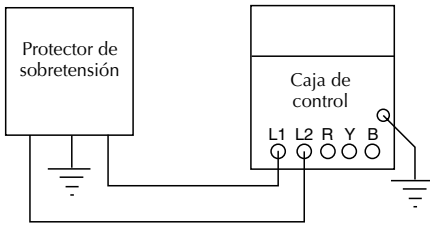
**AVISO** La garantía de los motores sumergibles trifásicos queda invalidada a menos que se use una protección adecuada de disparo rápido en las tres líneas del motor.

**Supresores de ondas en la caja de control**

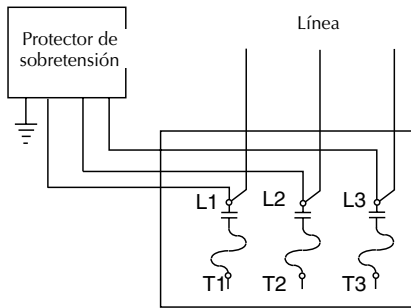
**Puesta a tierra:** Cuando la caja tenga un supresor de ondas, éste DEBERÁ estar conectado a tierra, metal a metal, completamente hasta los estratos de agua para que surta efecto. Un supresor conectado a una varilla de puesta a tierra hincada, proporcionará poca o ninguna protección al motor.

**AVISO** Los supresores de ondas NO protegen contra las descargas directas de rayos.

Instale supresores de ondas conectados a tierra para proteger la bomba contra sobretensiones altas. Instale el supresor en la línea de corriente que entra a la caja de control o al manóstat, tan cerca del motor de la bomba como sea posible. Consulte las figuras 1 y 2 con los diagramas de instalación de cables para los supresores.



**Figura 1 – Protector de sobretensión típico, trifilar, monofásico, de 230 Voltios**



**Figura 2 - Protector de sobretensión trifásico (650 Voltios máximo)**

**AVISO** Conecte el supresor a tierra con un cable desnudo No. 10 o mayor. La puesta a tierra se debe realizar conforme a los requisitos del código local.

**AVISO** Si los supresores de ondas conectados a la caja de control infringen los códigos eléctricos locales, comuníquese con la empresa de suministro de corriente eléctrica para obtener la información correcta sobre el cableado.

**Relés de sobrecarga regulables recomendados**

- Serie AEG :
  - B17S, B27S, B27-2.
- Allen Bradley:
  - Bulletin 193, SMP-Class 10 solamente.
- Tipos Fanal:
  - K7 o K7D al K400.
- Franklin Electric:
  - Subtrol-Plus.
- General Electric:
  - CR4G, CR7G, RT\*1, RT\*2, RTF3, RT\*4, CR324X-Class 10 solamente.
- Tipos Klockner-Moeller:
  - Z00, Z1, Z4, PKZM1, PKZM3, PKZ2.
- Lovato:
  - RC9, RC22, RC80, RF9, RF25, RF95.
- Tipos Siemens:
  - 3UA50, -52, -54, -55, -58, -59, -60, -61, -62, -66, -68, -70, 3VUI3, 3VE, 3UB (Class 5).
- Tipos Sprecher y Schuh:
  - CT, CT1, CTA 1, CT3K, CT3-12 a CT3-42, KTA3, CEF1 & CET3 configurado a un máximo de 6 segundos, CEP 7 Class 10, CT4, 6, & 7, CT3.
- Square D/Telemecanique: Class 9065 tipos TD, TE, TF, TG, TJ, TK, TR, TJE, TJF (Class 10) o LR1-D, LR1-F, LR2-D13, -D23, -D33, Types 18A, 32A, SS-Class 10, SR-Class 10 y 63-A- Series LB. Integral 18,32,63, GV2-L, GV2-M, GV2-P, GV3-M (1.6-10 amperios solamente).
- Tipos Westinghouse:
  - FT13, FT23, FT33, FT43, K7D, K27D, K67D, Advantage (Class 10), MOR, IQ500 (Class 5).

Otros tipos de relés de estos o de otros fabricantes pueden o no ofrecer una protección aceptable. Comuníquese con el Departamento de Atención al Cliente de Pentair para obtener mayor información al respecto.

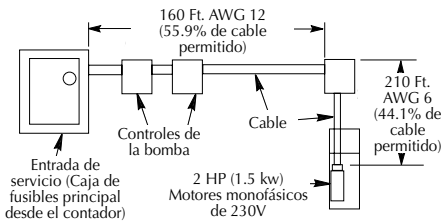
Es posible que ciertos tipos de [relés] de sobrecarga aprobados no se encuentren disponibles para todas las clasificaciones de los motores indicados en la lista. Cuando se usen relés con transformadores de corriente, divida los amperios especificados por la relación del transformador para obtener la configuración del relé.

## Cálculo del tamaño del cable

### Cuando se pueden usar dos tamaños diferentes (en pies)

Hay ciertas condiciones que hacen que sea más conveniente usar más de un tamaño de cable en una instalación.

Por ejemplo: Cambie una bomba con un motor monofásico de 2 HP, 230 voltios, 60 Hz, con una graduación de profundidad 210' en el pozo y con 160' de cable #12 enterrado entre la entrada de servicio y el cabezal del pozo. Para no tener que reemplazar el cable enterrado, la pregunta es: ¿Qué tamaño de cable se necesita en el pozo? Calcule lo siguiente:

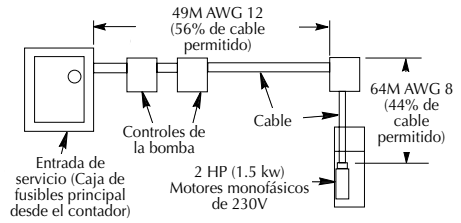


- Según el Cuadro VIII, se permite un total de 286' de cable #12 para suministrar energía a un motor de 2 HP. El porcentaje de este total usado por los 160' de cable en el trayecto enterrado es:  
 $160' / 286' = 0.559 = 55.9\%$ .
- Con el 55.9% de cable permitido ya en uso, resta un 44.1% de la longitud total para usar en el pozo. Para evitar un trayecto de cable demasiado pequeño que reducirá la tensión al motor, debemos encontrar un cable de un tamaño suficientemente grande para que 210' sean menos del 44.1% de la longitud total permitida para ese tamaño.
- Probando con un cable #10, el Cuadro VIII muestra que la longitud total permitida para un motor de 2 HP es de 456'.  
 $456' \times 44.1\% = 456' \times 0.441 = 201'$   
 Esto no es lo suficientemente largo.
- Probando con un cable #8, el Cuadro VIII muestra que la longitud total permitida es de 722'.  
 $722' \times 44.1\% = 722' \times 0.441 = 318'$   
 Esto es más largo de lo necesario. Por lo tanto se puede usar el cable #8 para los 210' de cable en el pozo.  
 Se puede usar cualquier combinación de tamaños, siempre que el porcentaje total de la longitud de los dos tamaños del cable no sobrepase el 100% de las longitudes permitidas.

### Cuando se pueden usar dos tamaños diferentes (en metros)

Hay ciertas condiciones que hacen que sea más conveniente usar más de un tamaño de cable en una instalación.

Por ejemplo: Cambie una bomba con un motor monofásico de 2 HP, 230 voltios, 60 Hz, con una graduación de profundidad 64 m en el pozo y con 49 m de cable #12 enterrado entre la entrada de servicio y el cabezal del pozo. Para no tener que reemplazar el cable enterrado, la pregunta es: ¿Qué tamaño de cable se necesita en el pozo? Calcule lo siguiente:



- Según el Cuadro IX, se permite un total de 87 m de cable #12 para suministrar energía a un motor de 2 HP. El porcentaje de este total usado por los 49 m de cable en el trayecto enterrado es:  
 $49 m / 87 m = 0.56 = 56\%$ .
- Con el 56% de cable permitido ya en uso, resta un 44% de la longitud total para usar en el pozo. Para evitar un trayecto de cable demasiado pequeño que reducirá la tensión al motor, debemos encontrar un cable de un tamaño suficientemente grande para que 64 m sean menos del 44% de la longitud total permitida para ese tamaño.
- Probando con un cable #10, el Cuadro IX muestra que la longitud total permitida para un motor de 2 HP es de 139 m.  
 $139 m \times 44\% = 139 m \times 0.44 = 61 m$   
 Esto no es lo suficientemente largo.
- Probando con un cable #8, el Cuadro IX muestra que la longitud total permitida es de 222 m.  
 $222 m \times 44\% = 222 m \times 0.44 = 97 m$   
 Esto es más largo de lo necesario. Por lo tanto se puede usar el cable #8 para los 64 m de cable en el pozo.  
 Se puede usar cualquier combinación de tamaños, siempre que el porcentaje total de la longitud de los dos tamaños del cable no sobrepase el 100% de las longitudes permitidas.

## Diagramas de instalación del cableado - monofásico, trifilar

**▲ ADVERTENCIA** **Tensión peligrosa.** Puede provocar choque eléctrico, quemaduras o muerte. Conecte la caja de control, toda la plomería metálica y el bastidor del motor con cable de cobre conforme a los códigos locales. Use un cable de puesta a tierra que sea por lo menos tan grande como los cables que suministran corriente eléctrica al motor.

**AVISO** Para motores de 1-1/2 HP y superiores, use el arranque magnético para no dañar el manóstat. Consulte a la fábrica por la información sobre el cableado.

Cierre todas las aberturas no usadas en esta máquina y en las otras en forma permanente.

Desconecte la corriente eléctrica a la caja de control antes de trabajar en o alrededor de la caja de control, de las tuberías, del cable, de la bomba o del motor.

Para asegurarse de que el relé de arranque funcione y que no haya un disparo inútil de la sobrecarga, instale la caja de control en posición vertical con la parte superior hacia arriba.

Conecte los cables de la caja de control según se ilustra en las páginas 69 a 73. La bomba no funcionará sin la caja de control y las cajas de lujo requieren un interruptor u un conductor de empalme entre los bornes 'SW' y 'L2'. La operación sin la caja de control quemará el motor.

Cumpla con el Código Eléctrico Nacional de los Estados Unidos, el Código Eléctrico Canadiense y los códigos locales (que correspondan) en todo el cableado.

**Si la sobrecarga principal se dispara, verifique que no haya:**

1. Un capacitor en corto circuito
2. Problemas de tensión
3. Bomba sobrecargada o bloqueada.

**AVISO** El motor debe coincidir con la caja de control según se ilustra en *Specifications*.

## Controles del nivel del líquido (evacuación)

Use los controles de evacuación en los pozos con un caudal bajo para impedir que se bombee hasta que el pozo esté seco. Consulte los *Installation Diagrams* para información sobre la instalación correcta.

**AVISO** Conecte los controles a tierra conforme a los requisitos del código local.

Si la sobrecarga de arranque se dispara, cambie el relé de arranque. Reposicione y analice la situación para determinar la causa del disparo. Para impedir que el motor se quemé, no retire la protección contra sobrecarga, ni permita que haya un corto circuito en la misma.

## Procedimiento de chequeo (todas las cajas):

**▲ ADVERTENCIA** **Tensión peligrosa.** Puede provocar choque eléctrico, quemadura o muerte. Desconecte la corriente eléctrica a la caja de control antes de realizar estos procedimientos de chequeo.

- A. Procedimientos generales** (Corriente eléctrica a la caja de control desconectada)
1. Desconecte la línea.
  2. Verifique que no hayan piezas averiadas o quemadas, conexiones flojas, etc.
  3. Verifique que no hayan conexiones que difieran del diagrama en la caja de control.
  4. Si la caja está demasiado caliente, es posible que los disyuntores se disparen o que los fusibles se quemem. Ventile o coloque la caja en un lugar a la sombra. Aléjela de una fuente de calor.
  5. Si no se encuentra el problema, inspeccione el motor y la caja de control. Use los siguientes procedimientos de control.
- B. Prueba de puesta a tierra** (Resistencia de aislamiento). (Corriente eléctrica a la caja de control desconectada)
1. Graduación del ohmiómetro: Escala más alta (generalmente Rx100K o Rx10,000).
  2. Conexiones de los bornes: Un conductor del ohmiómetro al tornillo de "Tierra" en la caja de control y el otro conductor a cada uno de los bornes en el tablero de bornes.
  3. Lectura del ohmiómetro: El indicador debe permanecer en el punto infinito (∞) y no desviarse.
- C. Pruebas del capacitor.** (Corriente eléctrica a la caja de control desconectada)
- ▲ ADVERTENCIA** **Riesgo de choque eléctrico.** Haga un corto circuito a través de los bornes antes de hacer la prueba.
1. Graduación de ohmiómetro: Rx1000.
  2. Conexiones de los bornes: Conecte los conductores del ohmiómetro a los cables negro y anaranjado de la caja del capacitor.
  3. Lectura del ohmiómetro: El indicador debe oscilar hacia el "cero" y "flotar" nuevamente hacia (∞). El capacitor está en corto circuito si el indicador no se mueve nuevamente a (∞), abierto si no se mueve desde (∞).
  4. Para reposicionar el capacitor, invierta la conexión del ohmiómetro a los bornes del capacitor.
- D. Prueba Triac.** (interruptor de estado sólido solamente)
1. Graduación del ohmiómetro: Rx1000.
  2. Conecte los conductores al borne "R" (inicial) y al borne conductor anaranjado en el interruptor de arranque.
  3. Lectura del ohmiómetro: Infinito (∞).
- E. Prueba de la bobina.** (Interruptor de estado sólido solamente)
1. Graduación del ohmiómetro: Rx1.
  2. Conecte los conductores a los bornes "Y" (común) y L2 y al borne conductor anaranjado en el interruptor de arranque.
  3. Lectura del ohmiómetro: Infinito (∞).

### Empalme del cable

Empalme el cable a los conductores del motor. Use uno de los tres métodos indicados a continuación. Use solamente cable de cobre para las conexiones al motor y a la caja de control de la bomba. Utilizar sólo cinta eléctrica clasificada para sumersión en el agua y homologada por UL®.

**Empalme adherido con cinta** (cables de tamaños No. 8 (8.4 mm<sup>2</sup>) y mayores):

1. Corte los conductores del motor. Alterne las longitudes del conductor y del cable para que el segundo conductor sea 2" (50 mm) más largo que el primero y el tercer conductor sea 2" (50 mm) más largo que el segundo.
2. Corte los extremos del cable. Verifique que los colores y las longitudes de los hilos en el cable de segregación coincidan con los colores y las longitudes de los conductores del motor.
3. Recorte el aislamiento de los extremos del cable y de los extremos del conductor del motor 1/2" (13 mm) hacia atrás.
4. Introduzca los extremos del conductor del motor y de los extremos del cable en los conectores de tope (consulte figura 3). Asegúrese de que los colores del cable de segregación y de los conductores del motor coincidan.
5. Usando pinzas para doblar (figura 6), doble las salientes del conector de tope (consulte la figura 4) para conectar los cables.

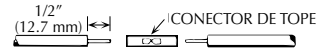


Figura 3



Figura 4

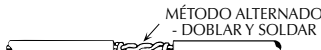


Figura 5

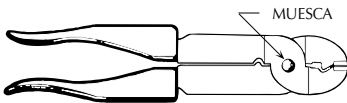


Figura 6



Figura 7

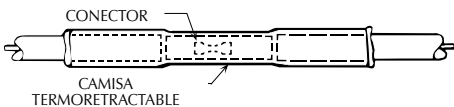


Figura 8

6. Cortar la masilla de aislamiento eléctrico en 3 partes iguales y moldear ajustadamente alrededor de los conectores de empalme. Asegúrese de que la masilla para aislamiento eléctrico traslape la parte aislada del cable.
7. Usando cinta eléctrica, envuelva cada junta firmemente; cubra el cable unos 1-1/2" (4 cm) de cada lado de la junta. Pase la cinta cuatro veces. Es decir, cuando termine, tendrá cuatro capas de cinta envueltas firmemente alrededor del cable. Presione los bordes de la cinta firmemente contra el cable (consulte la figura 7).

**AVISO** Debido a que la cinta enrollada firmemente es el único medio de mantener el agua fuera del empalme, la eficacia del empalme dependerá del cuidado que haya tenido al envolver la cinta.

**AVISO** Para los tamaños de cable mayores de #8, (8.4 mm<sup>2</sup>) use una junta soldada en lugar de la masilla Scotchfil (consulte la figura 5).

**Empalme termoretractable** (Para cables de tamaño #14, 12 y 10 AWG, o 2, 3, y 5.5 mm<sup>2</sup>):

1. Retire 3/8" (10 mm) de aislamiento de los extremos de los conductores del motor y de los hilos de los cables de segregación.
2. Coloque un tubo termoretractable sobre los conductores del motor.
3. Haga coincidir los colores y las longitudes del cable de segregación con los colores y las longitudes de los conductores del motor.
4. Introduzca los extremos del cable y del hilo del motor en los conectores de tope y doble (Consulte las figuras 3 y 4). **ASEGÚRESE DE QUE** los colores de los hilos del cable de segregación y de los conductores del motor coincidan. Jale de los conductores para inspeccionar las conexiones.
5. Coloque el tubo en el centro sobre el conector de tope y aplique calor en forma uniforme con una antorcha (un fósforo o un encendedor no suministrarán suficiente calor).

**AVISO** Mantenga la antorcha en movimiento. Demasiada concentración de calor puede dañar el tubo. (consulte la figura 8).



Figura 9



Figura 10

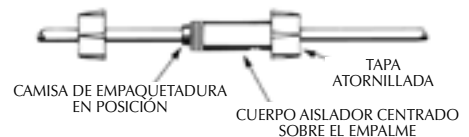


Figura 11

**Conectores de tope con aisladores de plástico** (para cables de calibres 14, 12 y 10 AWG, o cables de 2.5, 4 y 6 mm<sup>2</sup>):

1. Corte los conductores del motor. Alterne las longitudes del conductor y del cable para que el segundo conductor sea 4" (100 mm) más largo que el primero y el tercer conductor sea 4" (100 mm) más largo que el segundo.
2. Corte los extremos del cable. Verifique que los colores y las longitudes de los hilos en el cable de segregación coincidan con los colores y las longitudes de los conductores del motor.
3. Recorte el aislamiento de los extremos del cable y de los extremos del conductor del motor 1/2" (13 mm) hacia atrás.
4. Destornille las tapas de plástico de los aisladores. Coloque una capa y una camisa de empaque de neopreno en cada extremo de cable que se deba empalmar (consulte la figura 9).
5. Deslice el cuerpo aislador en un extremo del cable (figura 9).
6. Introduzca el extremo del cable en el conector de tope y doble (consulte la figura 10). Asegúrese de que los colores del cable y del hilo del motor coincidan.
7. Centre el cuerpo aislador sobre el empalme y deslice las camisas de neopreno en el cuerpo hasta el final. Atornille las tapas en el cuerpo aislador (figura 11) y apriete a mano para obtener un empalme fuerte e impermeable.

## Instalación del cable

1. Para hacer una prueba sumergible, conéctelo por un momento al suministro de corriente adecuado. La frecuencia y la tensión del suministro de corriente deben coincidir con la frecuencia y la tensión de la chapa de fábrica del motor en  $\pm 10\%$ . (bombas trifásicas – consulte "Rotación").
2. Sujete bien los conductores del cable a la sección de descarga de la bomba; deje 4-5" (100-127 m) de huelgo en los conductores a esta altura. Sujete bien los conductores al tubo de plástico a 6" (150 mm) de la sección de descarga de la bomba. Use limitadores de par para proteger la bomba y la tubería contra daños debido a giros perjudiciales cuando la bomba arranca y se detiene.
3. Conecte el cable a tierra de cobre al soporte del motor. El cable a tierra debe ser por lo menos tan grande como los cables que suministran corriente eléctrica al motor. Consulte el Código Eléctrico

Nacional, el Código Eléctrico Canadiense y los códigos locales en vigor (según corresponda) para obtener información sobre la puesta a tierra.

4. Use solamente cables sumergibles suministrados por el fabricante de la bomba. Cuando baje la bomba en el pozo, sujete el cable a la tubería de descarga a intervalos de 10' (3.5 m) con cinta eléctrica. Evite dañar el cable de la bomba.

**AVISO** Para no dejar caer la bomba en el pozo o dañar el cable o los empalmes del cable, **NUNCA** permita que el cable de la bomba sostenga el peso de la misma.

## Instalación de la bomba

1. Si usa un tanque de presión estándar de aire sobre agua, instale dos orificios de purga a unos 2' (0.6 m) de distancia entre ellos según se ilustra en la página 62. Estos orificios cargarán el tanque automáticamente con aire. Consulte la página 62 para determinar el lugar de los orificios.  
**AVISO** Si usa un tanque precargado, **NO** instale orificios de purga. Si la bomba y el tanque precargado están sustituyendo un sistema de tanque estándar, retire los orificios de purga antes de instalar la bomba en el pozo.
2. Para impedir que la bomba caiga en el pozo, conéctela a una cuerda de seguridad lo suficientemente fuerte como para sostener la bomba y la columna descendente (cuerda trenzada de polipropileno o pronila de 5/16" (8 mm) en el ojal de la descarga de la bomba. Ate el otro extremo de la cuerda de seguridad firmemente al sello del pozo, a la tapa del pozo o al adaptador deslizante de derivación.
3. La salida de descarga tiene una rosca de 2" NPT (60 Hz) o de 2" BSP (50 Hz).

Use un tubo de plástico (polietileno) con clasificación nominal de 100 PSI para instalaciones de hasta 100' de profundidad.

Use un tubo de plástico (polietileno) con clasificación nominal de 160 PSI para instalaciones de hasta 220' de profundidad.

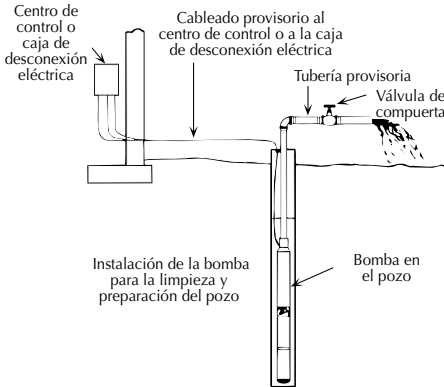
Para profundidades superiores a los 220', use un tubo de acero galvanizado para toda la columna descendente.

## Arranque inicial

**AVISO** NUNCA haga funcionar la bomba con la válvula de descarga completamente cerrada. La bomba se puede destruir si se deja marchar con la descarga cerrada (bloqueada) y eso anulará la garantía.

**AVISO** Para evitar una bomba bloqueada por arena, siga el procedimiento que se indica a continuación cuando encienda la bomba por primera vez. NUNCA encienda una bomba con la descarga completamente abierta a menos que haya pasado primero por este procedimiento.

1. Conecte un tubo en ángulo (codo), un trozo corto de tubo y una válvula de compuerta a la descarga de la bomba en el cabezal del pozo (consulte la figura 12).



**Figura 12 -Típica de la bomba puesta en marcha**

2. Coloque la caja de control del motor (bomba trifilar), el interruptor de separación a fusibles (bomba bifilar), o el arranque magnético (bomba trifásica) en un lugar con protección permanente contra la intemperie. Verifique que los controles no estén sometidos a un calor extremo o a una humedad excesiva.
3. Verifique que los controles estén en la posición apagada (OFF).
4. Conecte los conductores del motor y el suministro de corriente eléctrica a la caja de control del motor, al interruptor de separación a fusibles, o al arranque magnético (consulte *Diagramas*). **No encienda la bomba todavía.**
5. Abra la válvula de compuerta en la descarga 1/3; encienda la bomba (consulte la figura 12).
6. Mantenga la válvula de compuerta en esta posición mientras se bombea el agua fuera del suelo. Déjela marchar hasta que el agua no contenga arena ni cieno. (Para chequear partículas sólidas en el agua, llene un vaso desde la bomba y deje que las partículas sólidas se asienten).
7. Cuando el agua esté completamente limpia en la posición de 1/3, abra la válvula de compuerta dos tercios aproximadamente y repita el proceso.
8. Cuando el agua esté completamente limpia en la posición de 2/3, abra completamente la válvula de compuerta y deje marchar la bomba hasta que el agua esté completamente limpia.
9. Saque la válvula de compuerta para una instalación permanente cerca del tanque (consulte las páginas 62 y 63).

10. Instale el sello de pozo sanitario o el adaptador deslizando de derivación, la unidad del pozo, el conducto eléctrico y la tubería de superficie conforme a los requisitos de los códigos locales.

## Usos con aguas residuales / efluente

Las bombas diseñadas y comprobadas para usos con aguas residuales/efluente, deben cumplir con lo siguiente:

- ▲ ADVERTENCIA** Peligro de choque eléctrico. No retire el cordón ni el reductor de tensión. No conecte conductos a la bomba.
1. La bomba y el equipo de control asociado deben ser instalados por técnicos competentes.
  2. El tanque séptico o de aguas residuales se debe ventilar conforme a las normas locales.
  3. No instale la bomba en ningún lugar que haya sido clasificado como peligroso por la norma ANSI/NFPA 70-2001 del National Electrical Code.
  4. Estas bombas han sido diseñadas sólo para conexiones permanentes. Suministre un reductor de tensión en la caja de control para la conexión del cordón eléctrico a la caja. Todos los componentes del control deben ser aprobados por UL y adecuados para el uso final.

## Conexión al sistema de tanque/agua

**▲ ADVERTENCIA** Presión peligrosa. Las bombas sumergibles pueden crear una presión muy alta en ciertas situaciones. Para impedir una explosión en el tanque, instale una válvula de desahogo de presión que sea capaz de pasar todo el caudal de la bomba a 75 PSI (517 kPa) cuando use un tanque de presión de aire sobre agua. Instale una válvula de desahogo de presión capaz de pasar todo el caudal de la bomba a 100 PSI (690 kPa) cuando use un tanque de presión precargado. Instale esta válvula de desahogo entre la bomba y el tanque.

**AVISO** Si se permite que la bomba o el sistema de tuberías se congelen, existe el riesgo de provocar daños graves en la bomba y esto invalidará la garantía. Proteja la bomba y todo el sistema de tuberías (incluyendo el tanque de presión) del congelamiento.

### Conexión de tanque estándar:

Consulte la página 62 para obtener información sobre las conexiones de las tuberías a los tanques de presión estándar y la distancia de los orificios de purga desde el tanque de presión.

### Conexión del tanque de presión precargado:

Consulte la página 63 para obtener información sobre las conexiones al tanque de presión precargado.

**AVISO** Verifique el aire precargado en el tanque antes de encender la bomba. Ajuste la precarga a 2 PSI (13.8 kPa) debajo de la graduación de disparo de la bomba. (Por ejemplo, un tanque precargado que se use con un interruptor de 30-50 se debe precargar con aire a 28 PSI (193 kPa) . Ajuste la precarga ya sea agregando o descargando el aire a través de la válvula neumática ubicada en la parte superior del tanque. Inspeccione la precarga anualmente y ajústela de ser necesario.

Problema	Verifique	Medidas correctivas
<b>El motor no arranca pero los fusibles no están quemados.</b>		
No hay tensión	No hay tensión en la caja de fusibles.	Consulte con el proveedor de energía, inspeccione el generador.
	No hay tensión en la caja de control.	Verifique las conexiones, vuelva a cablear desde la caja de fusibles a la caja de control.
	No hay tensión en el manóstató.	Verifique las conexiones, reemplace la caja de control, vuelva a cablear desde la caja de control al manóstató.
	No hay tensión del lado de la carga del manóstató.	Verifique las conexiones, reemplace el manóstató.
	Cable o empalmes en mal estado.	Consulte a un técnico de servicio o a un electricista autorizado.
	Caja de control cableada de manera incorrecta.	Vuelva a conectar la caja de control correctamente (consulte los <i>Diagramas</i> ).
<b>Los fusibles se queman o el protector de sobrecarga se dispara cuando se enciende el motor</b>		
Tamaño de fusible o tamaño de fusible temporizado incorrectos.	Verifique el tamaño del fusible en los <i>Cuadros</i> .	Instale el fusible o el fusible temporizado correctos.
Tamaño del cable demasiado pequeño.	Verifique el tamaño del cable en los <i>Cuadros</i> .	Instale el cable del tamaño correcto.
Capacitor de arranque defectuoso o quemado.	Inspeccione la caja de control para comprobar si el capacitor de arranque está quemado.	Reemplace el capacitor de arranque.
Baja o alta tensión.	Verifique que la tensión de línea esté dentro de $\pm 10\%$ de la tensión nominal en la chapa de fábrica cuando el motor está en marcha.	Si la variación de tensión es mayor de $\pm 10\%$ , llame a la empresa de energía eléctrica para que ajuste la tensión.
Los conductores del cable no están conectados debidamente a la caja de control.	Verifique el diagrama de cableado de la caja de control con respecto a la conexión de corriente eléctrica de entrada.	Vuelva a conectar los conductores para que coincidan con el diagrama de cableado en la tapa de la caja de control.
	Verifique los códigos de color del cable de segregación.	Vuelva a conectar el cable de segregación para que el código de color del cable coincida con el código de color del conductor del motor.
Cable roto en la caja de control.	Examine todas las conexiones y los cables en la caja de control.	Desconecte la corriente eléctrica y repare o reemplace el cable defectuoso.
La bomba o el motor están atascados o se atascan.	Verifique que el rotor en la bomba no esté bloqueado.	De ser necesario, saque la bomba (primero haga todas las verificaciones posibles en la superficie). Si la bomba está bloqueada, reemplácela. Limpie la arena o el cieno del pozo antes de volver a instalar la bomba.
<b>Los fusibles se queman o el protector de sobrecarga se dispara cuando el motor está en marcha</b>		
Baja o alta tensión.	Verifique que la tensión de línea esté dentro de $\pm 10\%$ de la tensión nominal en la chapa de fábrica cuando el motor está en marcha.	Si la variación de tensión es mayor de $\pm 10\%$ , llame a la empresa de energía eléctrica para que ajuste la tensión.
Alta temperatura ambiente.	Verifique la temperatura de la caja de control.	No coloque la caja de control expuesta a la luz directa del sol.
Caja de control con clasificación de tensión o de potencia (HP) incorrecta.	Compare la tensión y la potencia (HP) en la chapa de fábrica del motor con la información indicada en la chapa de fábrica de la caja de control o en el diagrama del circuito en la tapa de la caja de control.	Reemplace la caja de control si los números no coinciden.
Tamaño del cable demasiado pequeño.	Verifique el tamaño del cable en los <i>Cuadros</i> .	Instale el cable del tamaño correcto.
Empalmes del cable o conductores del motor puestos a tierra, en corto circuito o abiertos.	Consulte a un electricista competente o a un técnico de servicio calificado.	No trate de desarmar la bomba ni el motor.



Problema	Verifique	Medidas correctivas
<b>La bomba se enciende con demasiada frecuencia.</b>		
Fugas en el sistema.	Verifique con espuma que no haya fugas de aire en todas las conexiones. Verifique que no haya fugas en el sistema sanitario.	El sistema debe ser impermeable y hermético.
Manóstató.	Verifique que el interruptor no esté defectuoso ni desajustado.	Vuelva a ajustar o reemplace el manóstató.
Tanque inundado.	Tanques precargados; verifique la presión de aire de precarga del tanque, verifique que no haya fugas en la cisterna.	Tanques precargados: ajuste la presión del aire a 2 PSI (13.8 kPa) debajo de la presión de disparo de la bomba (cuando no haya presión del agua en el sistema). Reemplace la cisterna de ser necesario.
	Tanques de aire sobre agua: verifique que no haya fugas de aire.	Tanques de aire sobre agua: repare o reemplace los tanques; reemplace las llaves roncadoras de ser necesario.
	Inspeccione el Control de Volumen de Aire (AVC).	Verifique la operación de la llave roncadora.
Fuga en la columna descendente.	Eleve la columna descendente un tramo a la vez hasta que el agua quede asentada en el tubo.	Reemplace la tubería por encima de ese punto.
Manóstató demasiado lejos del tanque.	Mida la distancia desde el manóstató al tanque.	Mueva el interruptor a un pie (0.3 m) de distancia del tanque.
<b>Se obtiene poco o nada de agua.</b>		
La válvula de retención del orificio de purga está atascada o se instaló en posición inversa (sólo para tanques estándar).	Examine la válvula.	Si la válvula está atascada, libérela; si se instaló al revés, inviértala.
Bajo nivel del agua.	Determine el nivel más bajo de agua en el pozo cuando la bomba esté marchando y compárelo con la graduación de profundidad de la bomba.	Baje la bomba a mayor profundidad en el pozo (pero por lo menos a 5' (1.6 m) por encima del fondo del pozo). Regule la descarga de la bomba hasta que la descarga sea igual al índice de recuperación del pozo. AVISO: Si se deja marchar la bomba mientras tenga una bolsa de aire, ésta perderá cebado y podrá sufrir daños graves.
Baja tensión.	Verifique la tensión en la caja de control con la bomba en marcha. Verifique el tamaño del cable de entrada y del cable de segregación en los Cuadros.	Instale un cable más grande desde el contador a la caja de control. Instale un cable más grande desde la caja de control a la bomba. De ser necesario, haga que la empresa de energía eléctrica eleve la tensión de suministro.
Red de admisión obstruida.	Saque la bomba y verifique el estado de la red.	Limpie o reemplace según se requiera.
Válvula de retención en la descarga de la bomba atascada.	Saque la bomba y examine la válvula de retención.	Libere la válvula de retención.
Impulsores o difusores gastados.	Verifique que el sistema esté libre de obstrucciones y que la bomba se encuentre en el agua y esté funcionando normalmente.	Reemplace la bomba.
<b>Descarga de aire o de agua lechosa desde los grifos.</b>		
Gas en el agua del pozo.	Verifique si hay gas en el agua del pozo.	Retire los orificios de purga; tape los tubos en T. Verifique que no haya fugas desde los tubos en T tapados. De ser necesario, separe el gas del aire antes de que entre en el tanque de presión.
Control de volumen de aire no funciona (sólo tanque estándar).	Verifique que los puertos y las válvulas esféricas de retención estén despejados.	Reemplace el control de ser necesario.

**Garantía limitada**

PENTAIR le garantiza al comprador/consumidor original (“Comprador” o “Usted”) de los productos enumerados abajo, que estos estarán libres de defectos en material y mano de obra durante el Período de Garantía indicado a continuación.

<b>Producto</b>	<b>Período de garantía</b>
Productos de sistemas de agua — bombas de chorro, pequeñas bombas centrífugas, bombas sumergibles y accesorios asociados	<i>lo que ocurra primero:</i> 12 meses desde la fecha de la instalación inicial, o 18 meses desde la fecha de fabricación
PENTEK INTELLIDRIVE™	12 meses desde la fecha de la instalación inicial, o 18 meses desde la fecha de fabricación
Tanques de compuesto Pro-Source®	5 años desde la fecha de la instalación inicial
Tanques a presión de acero Pro-Source®	5 años desde la fecha de la instalación inicial
Tanques con revestimiento epoxídico Pro-Source®	3 años desde la fecha de la instalación inicial
Productos para sumideros/aguas residuales/efluente	12 meses desde la fecha de la instalación inicial, o 18 meses desde la fecha de fabricación

Nuestra garantía no se aplicará a ningún producto que, a nuestro sólo juicio, haya sido sometido a negligencia, mal uso, instalación inadecuada o mal mantenimiento. Sin perjuicio a lo que antecede, la garantía quedará anulada en el caso en que un motor trifásico se haya usado con una fuente de alimentación monofásica, a través de un convertidor de fase. Es importante indicar que los motores trifásicos deben estar protegidos por relés de sobrecarga de disparo extra-rápido, con compensación ambiental de tres etapas, del tamaño recomendado, de lo contrario, la garantía quedará anulada.

Su único recurso, y la única obligación de PENTAIR es que PENTAIR repare o reemplace los productos defectuosos (a juicio de PENTAIR). Usted deberá pagar todos los cargos de mano de obra y de envío asociados con esta garantía y deberá solicitar el servicio bajo garantía a través del concesionario instalador tan pronto como se descubra un problema. No se aceptará ninguna solicitud de servicio bajo garantía que se reciba después del vencimiento del Período de Garantía. Esta garantía no se puede transferir.

PENTAIR NO SE HARÁ RESPONSABLE DE NINGÚN DAÑO—O CONSECUENTE, INCIDENTAL O CONTINGENTE.

LAS GARANTÍAS LIMITADAS QUE ANTECEDEN SON EXCLUSIVAS Y EN LUGAR DE TODA OTRA GARANTÍA EXPLÍCITA E IMPLÍCITA, INCLUYENDO, PERO SIN LIMITARSE A LAS GARANTÍAS IMPLÍCITAS DE COMERCIABILIDAD E IDONEIDAD PARA UN FIN ESPECÍFICO. LAS GARANTÍAS LIMITADAS QUE ANTECEDEN NO SE EXTENDERÁN MÁS ALLÁ DEL PERÍODO DE DURACIÓN INDICADO EN LA PRESENTE.

Algunos estados no permiten la exclusión o limitación de daños incidentales o consecuentes o de limitaciones de tiempo sobre garantías implícitas, de modo que es posible que las limitaciones o exclusiones que preceden no correspondan en su caso. Esta garantía le otorga derechos legales específicos y es posible que usted también tenga otros derechos que pueden variar de un estado al otro.

Esta Garantía Limitada entra en vigor el 1 de junio de 2011 y sustituye toda garantía sin fecha o garantía con fecha anterior al 1 de junio de 2011.

**PENTAIR**  
**293 Wright St., Delavan, WI 53115**  
**Teléfono (262) 728-5551 • Fax (262) 728-7323**

**Submersible Motor Control, Fusing, and Wiring Specifications**

• Boîte à commande du moteur submersible et des caractéristiques des fusibles et des fils • Control de motor sumergible y Especificaciones sobre los fusibles y cables

**Three Phase 60 Hz Overload Protection • Protection contre les surcharges - Moteurs triphasés de 60 Hz • Dispositivos de sobrecarga para motores, trifásicos, 60 Hz**

**Table I • Tableau I • Cuadro I**

HP • ch	kW	Volts • Voltios	NEMA Starter Size • Calibre des démarreurs NEMA • Tamaño del arrancador NEMA	Heaters for Overload Relays • Réchauffeurs de relais de surcharge • Calentadores para Relés de Sobrecarga			Adjustable Relays • Relais réglables • Relés regulables • (Note D)	
				Furnas (Note A)	Allen Bradley (Note B)	GE (Note C)	Set • Réglés à • Configuración	MAX
1-1/2	1.1	230	00	K39	J21	L680A	5.5	5.9
		460	00	K29	J15	L343A	2.8	3.0
		575	00	K26	J12	L282A	2.2	2.4
2	1.5	230	0	K49	J25	L910A	7.5	8.1
		460	00	K33	J18	L463A	3.8	4.1
		575	00	K29	J15	L380A	3.0	3.2
3	2.2	230	0	K52	J28	L122B	10.1	10.9
		460	0	K37	J21	L618A	5.1	5.5
		575	0	K34	J19	L510A	4.1	4.4
5	3.7	230	1	K61	J33	L199B	16.6	17.8
		460	0	K49	J26	L100B	8.3	8.9
		575	0	K42	J23	L825A	6.6	7.1
7-1/2	5.5	230	1	K67	J37	L293B	24.6	26.4
		460	1	K55	J30	L147B	12.3	13.2
		575	1	K52	J28	L122B	9.9	10.6
10	7.5	460	1	K61	J33	L220B	17.5	18.8

**Overloads for 3 Phase 60 Hertz 4" Motors**

Protection contre les surcharges - Moteurs triphasés de 60 Hz et de 4 pouces  
 Dispositivos de sobrecarga para motores, trifásicos, 60 Hz, 4"

**Table I Notes**

- A. Apply Furnas intermediate sizes between NEMA starter sizes where (1) is shown in tables. Size 1-3/4 replaces 2, 2-1/2 replaces 3, 3-1/2 replaces 4 and 4-1/2 replaces 5. Heaters are selected from Catalog 294, Table 332 and Table 632 (starter size 00, size B). Size 4 starters are heater type 4 (JG). Starters that use these heater tables include classes 14, 17 and 18 (INNOVA), classes 36 and 37 (reduced voltage), and classes 87, 88 and 89 (pump and motor control centers).  
 Set overload relay adjustments no higher than 100%, unless it is necessary to stop nuisance tripping when measured amps in all lines are below nameplate maximum.  
 For heater selections for class 16 starters (Magnetic Definite Purpose), contact Pentair Water Customer Service.
- B: Allen-Bradley heaters are selected from Catalog IC-110, Table 162 (through starter size 4), Table 547 (starter size 5), and Table 196 (starter size 6). Bulletin 505, 509, 520, 540 and 570 use these heater tables.  
 Contact Pentair Water Customer Service for heater selections for bulletin 1232X and 1233X starters.
- C: General Electric heaters are type CR123, can be used only on type CR124 overload relays, and are selected from Catalog GEP-126OJ).  
 Set overload relay adjustments no higher than 100%, unless it is necessary to stop nuisance tripping when measured amps in all lines are below nameplate maximum.

- D: Adjustable overload relay amp settings apply to the approved types that are listed. Set relay adjustment at the specified SET amps.  
If tripping occurs while amps in all lines are measured at less than maximum nameplate amps, the setting may be increased, but should not exceed the MAX value shown.

**Remarques plus relatives au tableau I**

- A. Les calibres intermédiaires Furnas, entre les puissances de démarreur NEMA, s'appliquent lorsque (1) est indiqué dans le tableau. Le calibre 1 3/4 remplaçant 2; 2 1/2 remplaçant 3; 3 1/2 remplaçant 4 et 4 1/2 remplaçant 5. Les réchauffeurs ont été sélectionnés à partir du catalogue 294, Tableaux 332 et 632 (démarreurs de puissance 00 et B). Les démarreurs de puissance 4 sont dotés d'un réchauffeur du type 4 (JG). Les démarreurs dotés de réchauffeur et mentionnés dans ces tableaux comprennent les catégories 14, 17 et 18 (INNOVA), les catégories 36 et 37 (tension réduite) et les catégories 87, 88 et 89 (centre de commande des pompes et des moteurs).

Ne pas régler les relais de surcharge au-delà de 100 %, à moins que ces réglages soient indispensables pour arrêter les déclenchements intempestifs lorsque l'intensité en ampères mesurée sur toutes les lignes est inférieure à l'intensité en ampères maximale indiquée sur la plaque signalétique.

Pour une sélection de réchauffeurs pour les démarreurs de la catégorie 16 (à usage déterminé magnétique) s'adresser au service à la clientèle de Pentair Water.

- B: Les réchauffeurs Allen-Bradley ont été sélectionnés à partir du catalogue IC-110, Tableau 162 (jusqu'aux démarreurs de calibre 4), Tableau 547 (démarreurs de calibre 5) et Tableau 196 (démarreurs de calibre 6). Ces tableaux de réchauffeurs sont utilisés dans les bulletins 505, 509, 520, 540 et 570.

S'adresser au service à la clientèle de Pentair Water pour une sélection des réchauffeurs pour les démarreurs 1232X et 1233X.

- C: Les réchauffeurs General Electric sont du type CR123 et ne peuvent être utilisés que sur les relais de protection contre les surcharges du type CR124. Ils ont été sélectionnés à partir du catalogue GEP-1260J.

Ne pas régler les réchauffeurs au-delà de 100 %, à moins que ces réglages soient indispensables pour arrêter les déclenchements intempestifs lorsque l'intensité en ampères mesurée sur toutes les lignes est inférieure à l'intensité en ampères maximale indiquée sur la plaque signalétique.

- D: Les réglages en ampères des relais de protection contre les surcharges réglables s'appliquent aux types approuvés et énumérés ci-contre. Les relais doivent être réglés à l'intensité en ampères spécifiée « SET ». Ils ne doivent pas être réglés au-delà des réglages où les déclenchements intempestifs se produisent lorsque l'intensité en ampères mesurée sur toutes les lignes correspond à l'intensité en ampères maximale indiquée sur la plaque signalétique.

Ils ne devront toutefois jamais être réglés au-delà de la valeur MAXIMALE indiquée.

**Más notas del cuadro I**

- A. Aplique los tamaños intermedios de Furnas entre los tamaños de arranque NEMA en donde se indique (1) en los cuadros. El tamaño de 1-3/4 sustituye al 2, el 2-1/2 sustituye al 3, el 3-1/2 sustituye al 4 y el 4-1/2 sustituye al 5. Los calentadores se han seleccionado del Catálogo 294, Cuadro 332 y Cuadro 632 (tamaño de arranque 00, tamaño B). Los arranques de tamaño 4 son para el tipo de calentador de tipo 4 (JG). Los arranques que usan estos cuadros de calentadores incluyen las clases 14, 17 y 18 (INNOVA), las clases 36 y 37 (de tensión reducida), y las clases 87, 88 y 89 (centros de mando de la bomba y del motor).

Configure los ajustes del relé de sobrecarga a no más del 100%, a menos que fuese necesario para detener disparos injustificados cuando los amperios medidos en todas las líneas se encuentren por debajo del máximo de la placa de fábrica.

Para las selecciones de calentadores con arranque de clase 16 (Magnético de Propósito Definido), comuníquese con el Departamento de Atención al Cliente de Pentair Water.

- B: Los calentadores Allen-Bradley se han seleccionado del Catálogo IC-110, Cuadro 162 (hasta arranques de tamaño 4), Cuadro 547 (arranque de tamaño 5), y Cuadro 196 (arranque de tamaño 6). Los boletines 505, 509, 520, 540 y 570 usan estos cuadros de calentadores.

Comuníquese con el Departamento de Atención al Cliente de Pentair Water para obtener información sobre las selecciones de calentadores para los arranques de los boletines 1232X y 1233X.

- C: Los calentadores General Electric son de tipo CR123, se pueden usar sólo en relés de sobrecarga tipo CR124, y se han seleccionado del Catálogo GEP-1260J.

Configure los ajustes del relé de sobrecarga a no más del 100%, a menos que fuese necesario para detener disparos injustificados cuando los amperios medidos en todas las líneas se encuentren por debajo del máximo de la placa de fábrica.

- D: Las configuraciones de amperios del relé regulable de sobrecarga corresponden a los tipos aprobados que se indican en la lista. Configure el ajuste del relé a los amperios especificados (SET amps).

- Si ocurre un disparo mientras los amperios en todas las líneas tienen una medida inferior al máximo de amperios de la placa de fábrica, es posible que se deba aumentar la configuración, pero ésta no deberá sobrepasar el valor MÁXIMO indicado.

**Motor/Control Coordination • Coordination du moteur/boîte de commande •**  
 Coordinación del control / motor

**Table II • Tableau II • Cuadro II**

Model • Modèle • Modelo	SMC Submersible Motor Control Type • Type de commande de moteur submersible				
	Tipo de control de motor sumergible SMC				
	HP • ch	Volts/Hz/Ph • Voltios/Hz/Fase	CSIR	CSCR	
P43B0005A1	1/2	115/60/1	SMC-IR0511	-	-
P43B0005A2	1/2	230/60/1	SMC-IR0521	SMC-CR0521	VIP4C02
P43B0007A2	3/4	230/60/1	SMC-IR0721	SMC-CR0721	VIP4D02
P43B0010A2	1	230/60/1	SMC-IR1021	SMC-CR1021	VIP4E02
P43B0015A2	1 1/2	230/60/1	-	SMC-CR1521	VIP4F02
P43B0020A2	2	230/60/1	-	SMC-CR2021	VIP4G02
P43B0005A1-01	1/2	115/60/1	SMC-IR0511	-	-
P43B0005A2-01	1/2	230/60/1	SMC-IR0521	SMC-CR0521	VIP4C02
P43B0007A2-01	3/4	230/60/1	SMC-IR0721	SMC-CR0721	VIP4D02
P43B0010A2-01	1	230/60/1	SMC-IR1021	SMC-CR1021	VIP4E02
P43B0015A2-01	1 1/2	230/60/1	-	SMC-CR1521	VIP4F02
P43B0005A1-02	1/2	115/60/1	SMC-IR0511	-	-
P43B0005A2-02	1/2	230/60/1	SMC-IR0521	SMC-CR0521	VIP4C02
P43B0007A2-02	3/4	230/60/1	SMC-IR0721	SMC-CR0721	VIP4D02
P43B0010A2-02	1	230/60/1	SMC-IR1021	SMC-CR1021	VIP4E02
P43B0015A2-02	1 1/2	230/60/1	-	SMC-CR1521	VIP4F02
P43C0005A1	1/2	115/60/1	SMC-IR0511	-	-
P43C0005A2	1/2	230/60/1	SMC-IR0521	SMC-CR0521	VIP4C02
P43C0007A2	3/4	230/60/1	SMC-IR0721	SMC-CR0721	VIP4D02
P43C0010A2	1	230/60/1	SMC-IR1021	SMC-CR1021	VIP4E02
P43C0015A2	1 1/2	230/60/1	-	SMC-CR1521	VIP4F02
G43A0005A1	1/2	115/60/1	SMC-IR0511	-	-
G43A0005A2	1/2	230/60/1	SMC-IR0521	SMC-CR0521	VIP4C02
G43A0007A2	3/4	230/60/1	SMC-IR0721	SMC-CR0721	VIP4D02
G43A0010A2	1	230/60/1	SMC-IR1021	SMC-CR1021	VIP4E02
G43A0015A2	1 1/2	230/60/1	-	SMC-CR1521	VIP4F02

**Motor/Control Coordination**

Coordination du moteur/boîte de commande

Coordinación del control / motor

**Table II Notes • Remarques relatives au tableau II • Notas del cuadro II:**

Motors with model numbers beginning 'P42' are 2-Wire motors and do not use a Submersible Motor Control. Les moteurs avec des numéros de modèles qui commencent par « P42 » sont des moteurs bifilaires et n'utilisent pas une commande de moteur submersible.

Los motores con números de modelo que comienzan en 'P42' son motores bifilares y no usan un control de motor sumergible.

**Recommended Fusing Data • Calibres recommandés des fusibles •**

Información sobre los fusibles recomendados

**Table III • Tableau III • Cuadro III**

Model • Modèle • Modelo	HP • ch	Volts/Hz/Ph • Voltios/Hz/ Fase	Motor Winding Resistance • Résistance de l'enroulement des moteurs • Resistencia del devanado del motor • Ohms	Service Factor Amps • Intensité maximale avec facteur de surcharge • Factor de sobrecarga Amperios	Locked Rotor Amps • Ampères du rotor bloqué • Rotor bloqueado-Amperios	Fuze Size Standard/ Dual Elem/CB • Calibre des fusibles standard/A élément double • Tamaño del fusible estándar /doble
P42B0005A1	1/2	115/60/1	1.3-1.8	9.5	36.4	25/15/20
P42B0005A2	1/2	230/60/1	4.5-5.2	4.7	19.5	15/10/10
P42B0007A2	3/4	230/60/1	3.0-4.8	6.4	24.8	20/10/20
P42B0010A2	1	230/60/1	4.2-5.2	9.1	21.7	25/15/25
P42B0015A2	1 1/2	230/60/1	1.9-2.3	11.0	42.0	30/20/30
P42B0005A1-01	1/2	115/60/1	1.4-2.0	9.8	28	30/20/25
P42B0005A2-01	1/2	230/60/1	6.1-7.2	4.7	16	15/10/15
P42B0007A2-01	3/4	230/60/1	5.9-6.9	6.2	18	20/15/20
P42B0010A2-01	1	230/60/1	4.2-5.2	8.1	24	25/15/25
P42B0015A2-01	1 1/2	230/60/1	1.8-2.4	10.4	44	35/20/30
P42B0005A1-02	1/2	115/60/1	2.1-2.5	10.0	25.1	30/20/25
P42B0005A2-02	1/2	230/60/1	7.2-8.8	5.1	14.1	15/10/15
P42B0007A2-02	3/4	230/60/1	5.9-7.2	6.1	17.0	20/15/20
P42B0010A2-02	1	230/60/1	5.0-6.1	8.0	21.5	25/15/25
P42B0015A2-02	1 1/2	230/60/1	2.8-3.4	10.6	34.0	35/20/30
P42C0005A1	1/2	115/60/1	2.1-2.5	10.0	25.1	30/20/25
P42C0005A2	1/2	230/60/1	7.2-8.8	5.1	14.1	15/10/15
P42C0007A2	3/4	230/60/1	5.9-7.2	6.1	17.0	20/15/20
P42C0010A2	1	230/60/1	5.0-6.1	8.0	21.5	25/15/25
P42C0015A2	1 1/2	230/60/1	2.8-3.4	10.6	34.0	35/20/30
G42A0005A1	1/2	115/60/1	0.9-1.1	10	44.5	30/15/25
G42A0005A2	1/2	230/60/1	3.4-4.2	5	19.6	15/10/10
G42A0007A2	3/4	230/60/1	2.6-3.2	6	24.0	15/10/15
G42A0010A2	1	230/60/1	1.7-2.1	7.2	36.9	20/15/20
G42A0015A2	1 1/2	230/60/1	1.4-1.8	10.0	45.0	30/20/25

**Recommended Fusing Data - 60 Hz, Single Phase, 2 Wire Submersible Pump Motors**

Calibres recommandés des fusibles – moteurs bifilaires, monophasés de 60 Hz des pompes submersibles  
 Información sobre los fusibles recomendados - Motores de bombas sumergibles, 60 Hz, monofásicos, bifilares

**Table III Notes • Remarques relatives au tableau III • Notas del cuadro III:**

Two-wire motor leads are not color coded. Overload is located in motor and cannot be tested from above ground.  
 Les fils des moteurs bifilaires ne sont pas codés par couleur. La protection contre les surcharges est logée dans le moteur et ne peut pas être contrôlée hors terre.  
 Los cables de conexión de los motores bifilares no están codificados a color. La sobrecarga está ubicada en el motor y no se puede hacer una prueba de la misma desde la superficie.

Table IV • Tableau IV • Cuadro IV

Model • Modèle • Modelo	HP • ch	Volts/Hz/ Phase • Voltios/Hz/ Fase	Motor Winding Resistance • Résistance de l'enroulement des moteurs • Resistencia del devanado del motor		Service Factor Amps • Intensité maximale avec facteur de surcharge • Factor de sobrecarga Amperios	Locked Rotor Amps • Ampères du rotor bloqué • Rotor bloqueado- Amperios	Fuze Size Standard / Dual Element / CB • Calibre des fusibles standard / A élément double / Disjoncteur • Tamaño del fusible estándar / doble / CB
			MAIN B to Y N sur J N a A (Ohms)	START R to Y R sur J R a A (Ohms)			
P43B0005A2	1/2	230/60/1	4.2-4.9	17.4-18.7	4.9	22.3	20/10/15
P43B0007A2	3/4	230/60/1	2.6-3.6	11.8-13.0	6.3	32.0	25/10/20
P43B0010A2	1	230/60/1	2.2-3.2	11.3-12.3	7.2	41.2	30/15/20
P43B0015A2	1 1/2	230/60/1	1.6-2.3	7.9-8.7	11.1	47.8	30/20/25
P43B0020A2	2	230/60/1	1.6-2.2	4.8-5.9	12.2	49.4	30/20/25
P43B0030A2	3	230/60/1	1.0-1.4	2.0-2.5	16.5	76.4	45/30/40
P43B0050A2	5	230/60/1	0.6-0.8	1.3-1.7	27	101.0	80/45/70
P43B0005A2-01	1/2	230/60/1	5.1-6.1	12.4-13.7	4.8	21	20/10/15
P43B0007A2-01	3/4	230/60/1	2.6-3.3	10.4-11.7	6.0	32	20/15/20
P43B0010A2-01	1	230/60/1	2.0-2.6	9.3-10.4	7.3	41	25/20/20
P43B0015A2-01	1 1/2	230/60/1	2.1-2.5	10.0-10.8	10.9	49	30/20/25
P43B0005A2-02	1/2	230/60/1	7.7-6.3	12.7-15.5	4.5	18.3	20/10/15
P43B0007A2-02	3/4	230/60/1	5.1-4.1	9.6-11.8	5.66	28.5	20/15/15
P43B0010A2-02	1	230/60/1	4.0-3.2	11.8-14.4	6.8	38.4	25/15/20
P43B0015A2-02	1 1/2	230/60/1	2.6-3.2	8.0-9.8	10.7	43.0	30/20/25
P43C0005A2	1/2	230/60/1	7.7-6.3	12.7-15.5	4.5	18.3	20/10/15
P43C0007A2	3/4	230/60/1	5.1-4.1	9.6-11.8	5.66	28.5	20/15/15
P43C0010A2	1	230/60/1	4.0-3.2	11.8-14.4	6.8	38.4	25/15/20
P43C0015A2	1 1/2	230/60/1	2.6-3.2	8.0-9.8	10.7	43.0	30/20/25
G43A0005A2	1/2	230/60/1	3.9-4.7	9.2-11.2	4.6	20.5	15/10/10
G43A0007A2	3/4	230/60/1	2.7-3.3	6.8-8.3	5.9	28.3	15/10/15
G43A0010A2	1	230/60/1	1.8-2.2	7.6-9.2	8.0	41.0	25/15/20
G43A0015A2	1 1/2	230/60/1	1.5-1.9	5.5-6.7	13.7	46.5	40/20/30

**Recommended Fusing Data - 60 Hz, Single Phase, 3 Wire, Capacitor Run Submersible Pump Motor**

Calibres recommandés des fusibles – moteurs de pompes submersibles, trifilaires, monophasés, fonctionnant avec un condensateur

Información sobre los fusibles recomendados – motores de 60 Hz, monofásicos, trifilares, de marcha por capacitor, para bombas sumergibles

Table V • Tableau V • Cuadro V

Model • Modèle • Modelo	HP • ch	Volts/Hz/ Phase • Voltios/Hz/ Fase	Motor Winding Resistance • Résistance de l'enroulement des moteurs • Resistencia del devanado del motor		Service Factor Amps • Intensité maximale avec facteur de surcharge • Factor de sobrecarga Amperios	Locked Rotor Amps • Ampères du rotor bloqué • Rotor bloqueado- Amperios	Fuze Size Standard / Dual Element / CB • Calibre des fusibles standard / A élément double / Disjoncteur • Tamaño del fusible estándar / doble / CB
			MAIN B to Y N sur J N a A (Ohms)	START R to Y R sur J R a A (Ohms)			
P43B0005A1	1/2	115/60/1	0.9-1.6	5.7-7.0	12.6	49.6	35/20/30
P43B0005A2	1/2	230/60/1	4.2-4.9	17.4-18.7	6.3	22.3	20/10/15
P43B0007A2	3/4	230/60/1	2.6-3.6	11.8-13.0	8.3	32.0	25/15/20
P43B0010A2	1	230/60/1	2.2-3.2	11.3-12.3	9.7	41.2	30/20/25
P43B0005A1-01	1/2	115/60/1	1.0-1.4	2.5-3.1	10.9	44	30/20/30
P43B0005A2-01	1/2	230/60/1	5.1-6.1	12.4-13.7	6.1	21	20/10/15
P43B0007A2-01	3/4	230/60/1	2.6-3.3	10.4-11.7	7.8	32	20/15/20
P43B0010A2-01	1	230/60/1	2.0-2.6	9.3-10.4	9.4	41	25/20/25
P43B0005A1-02	1/2	115/60/1	1.5-1.9	3.2-3.9	11.0	41.0	30/20/30
P43B0005A2-02	1/2	230/60/1	7.7-6.3	12.7-15.5	5.9	18.3	20/10/15
P43B0007A2-02	3/4	230/60/1	5.1-4.1	9.6-11.8	7.6	28.5	20/15/20
P43B0010A2-02	1	230/60/1	4.0-3.2	11.8-14.4	9.0	38.4	25/15/25
P43C0005A1	1/2	115/60/1	1.5-1.9	3.2-3.9	11.0	41.0	30/20/30
P43C0005A2	1/2	230/60/1	7.7-6.3	12.7-15.5	5.9	18.3	20/10/15
P43C0007A2	3/4	230/60/1	5.1-4.1	9.6-11.8	7.6	28.5	20/15/20
P43C0010A2	1	230/60/1	4.0-3.2	11.8-14.4	9.0	38.4	25/15/25
G43A0005A1	1/2	115/60/1	1.1-1.2	3.2-4.0	13.4	49.8	40/25/35
G43A0005A2	1/2	230/60/1	3.9-4.7	9.2-11.2	6.3	20.5	15/10/15
G43A0007A2	3/4	230/60/1	2.7-3.3	6.8-8.3	8.2	28.3	25/15/20
G43A0010A2	1	230/60/1	1.8-2.2	7.6-9.2	10.8	41	30/15/25

**Recommended Fusing Data - 60 Hz, Single Phase, 3 Wire Induction Run Submersible Pump Motor**

Calibres recommandés des fusibles – moteurs trifilaires, monophasés de 60 Hz avec induction des pompes submersibles

Información sobre los fusibles recomendados – Motores de bombas sumergibles a inducción, 60 Hz, monofásicos, trifilares



Table VI • Tableau VI • Cuadro VI

Model • Modele • Modelo	HP • ch	Volts/Hz/ Phase • Voltios/Hz/ Fase	Motor Winding Resistance • Résistance de l'enroulement des moteurs • Resistencia del devanado del motor • L to L	Service Factor Amps • Intensité maximale avec facteur de surcharge • Factor de sobrecarga Amperios	Locked Rotor Amps • Ampères du rotor bloqué • Rotor bloqueado- Amperios	Fuze Size Standard / Dual Element /CB • Calibre des fusibles standard / A element double / Disjoncteur • Tamaño del fusible estándar /doble / CB
P43B0005A8	1/2	200/60/3	4.1–5.2	3.4	22	10/6/10
P43B0007A8	3/4	200/60/3	2.6–3.0	4.5	32	15/10/10
P43B0010A8	1	200/60/3	3.4–3.9	5.5	29	15/10/10
P43B0015A8	1-1/2	200/60/3	1.9–2.5	7.2	40	20/10/15
P43B0020A8	2	200/60/3	1.4–2.0	8.8	51	25/15/20
P43B0030A8	3	200/60/3	0.9–1.3	12.0	71	35/20/30
P43B0050A8	5	200/60/3	0.4–0.8	20.2	113	60/35/50
P43B0075A8	7-1/2	200/60/3	0.5–0.6	30.0	165	80/50/70
P43B0005A3	1/2	230/60/3	5.7–7.2	2.9	17	6/6/6
P43B0007A3	3/4	230/60/3	3.3–4.3	3.9	27	6/6/6
P43B0010A3	1	230/60/3	4.1–5.1	4.7	26	10/6/10
P43B0015A3	1-1/2	230/60/3	2.8–3.4	6.1	32	15/10/15
P43B0020A3	2	230/60/3	1.8–2.4	7.6	44	15/15/20
P43B0030A3	3	230/60/3	1.3–1.7	10.1	59	25/15/25
P43B0050A3	5	230/60/3	0.85–1.25	17.5	93	45/30/40
P43B0075A3	7-1/2	230/60/3	0.55–0.85	26.4	140	70/45/60
P43B0005A4	1/2	460/60/3	23.6–26.1	1.5	9	3/3/3
P43B0007A4	3/4	460/60/3	14.4–16.2	2.0	14	3/6/3
P43B0010A4	1	460/60/3	17.8–18.8	2.5	13	6/3/6
P43B0015A4	1-1/2	460/60/3	12.3–13.1	3.2	16	10/6/6
P43B0020A4	2	460/60/3	8.0–8.7	3.8	23	15/6/10
P43B0030A4	3	460/60/3	5.9–6.5	5.3	30	15/10/15
P43B0050A4	5	460/60/3	3.6–4.0	8.5	48	25/15/20
P43B0075A4	7-1/2	460/60/3	1.9–2.3	13.5	87	40/25/35
P43B0100A4	10	460/60/3	1.8–2.2	17.2	110	45/25/35
P43B0015A5	1-1/2	575/60/3	19.8–20.6	2.4	12	6/3/6
P43B0020A5	2	575/60/3	9.4–9.7	3.3	21	10/6/10
P43B0030A5	3	575/60/3	9.4–9.7	4.1	21	10/10/10
P43B0050A5	5	575/60/3	3.6–4.2	7.6	55	25/15/20
P43B0075A5	7-1/2	575/60/3	3.6–4.2	10.0	55	25/20/25

**Recommended Fusing Data - 60 Hz, Three Phase, Submersible Pump Motor**

Calibres recommandés des fusibles – moteurs triphasés de 60 Hz des pompes submersibles

Información sobre los fusibles recomendados - motores de bombas sumergibles, 60 Hz, trifásicos

**Service Cable Length by Model Number • Longueur du câble de service par numéro de modèle • Servicio de la longitud del cable por el número de modelo**

**Table VII • Tableau VII • Cuadro VII**

Model • Modèle • Modelo	Wire Size, AWG; Cable Length in FEET • Calibre du fil, AWG, longueur du fil en PIEDS • Tamaño de los hilos, AWG; longitud de los hilos en PIES												
	HP • ch	Volt	14	12	10	8	6	4	3	2	1	0	00
P42B0005A1	1/2	115	115	183	293	463	721	1150	1445	1825	2299	2902	3662
P42B0005A2	1/2	230	466	742	1183	1874	2915	4648	5843	7379	9295	11733	
P42B0007A2	3/4	230	342	545	869	1376	2141	3413	4291	5419	6826	8617	10871
P42B0010A2	1	230	241	383	611	968	1506	2400	3018	3811	4801	6060	7646
P42B0015A2	1 1/2	230	199	317	505	801	1246	1986	2496	3153	3972	5013	6325
P42B0005A1-01	1/2	115	112	178	284	449	699	1114	1401	1769	2229	2814	3550
P42B0005A2-01	1/2	230	464	739	1178	1866	2903	4628	5818	7347	9256	11684	
P42B0007A2-01	3/4	230	353	562	897	1420	2210	3523	4429	5594	7046	8895	11222
P42B0010A2-01	1	230	271	430	686	1087	1692	2697	3390	4281	5394	6808	8590
P42B0015A2-01	1 1/2	230	211	335	535	847	1318	2100	2640	3335	4201	5303	6690
P42B0005A1-02	1/2	115	110	174	278	440	685	1092	1373	1734	2184	2757	3479
P42B0005A2-02	1/2	230	430	684	1090	1727	2687	4283	5384	6800	8566	10813	
P42B0007A2-02	3/4	230	359	571	912	1444	2246	3581	4502	5685	7162	9040	11406
P42B0010A2-02	1	230	274	436	695	1101	1713	2730	3433	4335	5461	6893	8697
P42B0015A2-02	1 1/2	230	207	329	525	831	1293	2061	2591	3272	4121	5203	6564
P42C0005A1	1/2	115	110	174	278	440	685	1092	1373	1734	2184	2757	3479
P42C0005A2	1/2	230	430	684	1090	1727	2687	4283	5384	6800	8566	10813	
P42C0007A2	3/4	230	359	571	912	1444	2246	3581	4502	5685	7162	9040	11406
P42C0010A2	1	230	274	436	695	1101	1713	2730	3433	4335	5461	6893	8697
P42C0015A2	1 1/2	230	207	329	525	831	1293	2061	2591	3272	4121	5203	6564
G42A0005A1	1/2	115	110	174	278	440	685	1092	1373	1734	2184	2757	3479
G42A0005A2	1/2	230	438	697	1112	1761	2740	4369	5492	6936	8738	11029	
G42A0007A2	3/4	230	365	581	927	1468	2284	3641	4577	5780	7281	9191	11596
G42A0010A2	1	230	304	484	772	1223	1903	3034	3814	4817	6068	7659	9663
G42A0015A2	1 1/2	230	219	349	556	881	1370	2184	2746	3468	4369	5515	6957

**60 Hz, Single Phase, 2-Wire Copper Cable Length in FEET (Service to Motor)**

Longueur des fils de cuivre, en PIEDS (branchement de service vers moteur) bifilaire, monophasé, 60 Hz

Largo del cable de cobre en PIES (Servicio al motor) bifilar, monofásicos, 60 Hz

See Table VII Notes • Voir les remarques relatives au tableau VII • Ver notas del cuadro VII

Table VII • Tableau VII • Cuadro VII

Model • Modèle • Modelo	Wire Size, AWG; Cable Length in METERS • Calibre du fil, AWG, longueur du fil en MÈTRES • Tamaño de los hilos, AWG; longitudud de los hilos en METROS												
	HP • ch	Volt	14	12	10	8	6	4	3	2	1	0	00
P42B0005A1	1/2	115	35	56	89	141	220	350	441	556	701	885	1116
P42B0005A2	1/2	230	142	226	361	571	889	1417	1781	2249	2833	3576	0
P42B0007A2	3/4	230	104	166	265	419	653	1040	1308	1652	2081	2626	3314
P42B0010A2	1	230	73	117	186	295	459	732	920	1162	1463	1847	2330
P42B0015A2	1 1/2	230	61	97	154	244	380	605	761	961	1211	1528	1928
P42B0005A1-01	1/2	115	34	54	86	137	213	340	427	539	679	858	1082
P42B0005A2-01	1/2	230	142	225	359	569	885	1411	1773	2239	2821	3561	0
P42B0007A2-01	3/4	230	108	171	273	433	674	1074	1350	1705	2148	2711	3420
P42B0010A2-01	1	230	82	131	209	331	516	822	1033	1305	1644	2075	2618
P42B0015A2-01	1 1/2	230	64	102	163	258	402	640	805	1016	1280	1616	2039
P42B0005A1-02	1/2	115	33	53	85	134	209	333	419	529	666	840	1060
P42B0005A2-02	1/2	230	131	208	332	526	819	1305	1641	2073	2611	3296	0
P42B0007A2-02	3/4	230	110	174	278	440	685	1091	1372	1733	2183	2756	3476
P42B0010A2-02	1	230	83	133	212	336	522	832	1046	1321	1665	2101	2651
P42B0015A2-02	1 1/2	230	63	100	160	253	394	628	790	997	1256	1586	2001
P42C0005A1	1/2	115	33	53	85	134	209	333	419	529	666	840	1060
P42C0005A2	1/2	230	131	208	332	526	819	1305	1641	2073	2611	3296	0
P42C0007A2	3/4	230	110	174	278	440	685	1091	1372	1733	2183	2756	3476
P42C0010A2	1	230	83	133	212	336	522	832	1046	1321	1665	2101	2651
P42C0015A2	1 1/2	230	63	100	160	253	394	628	790	997	1256	1586	2001
G42A0005A1	1/2	115	33	53	85	134	209	333	419	529	666	840	1060
G42A0005A2	1/2	230	134	213	339	537	835	1332	1674	2114	2663	3362	0
G42A0007A2	3/4	230	111	177	282	447	696	1110	1395	1762	2219	2801	3534
G42A0010A2	1	230	93	148	235	373	580	925	1163	1468	1849	2335	2945
G42A0015A2	1 1/2	230	67	106	169	268	418	666	837	1057	1332	1681	2121

**60 Hz, Single Phase, 2-Wire Copper Cable Length in METERS (Service to Motor)**

Longueur des fils de cuivre, en MÈTRES (branchement de service vers moteur) bifilaire, monophasé, 60 Hz  
 Largo del cable de cobre en METROS (Servicio al motor) bifilar, monofásicos, 60 Hz

**Table VII Notes • Remarques relatives au tableau VII • Notas del cuadro VII**

Sizes given are for copper wire. For aluminum wire, go two sizes larger. For example, if table lists #12 (3mm<sup>2</sup>) copper wire, use #10 (5mm<sup>2</sup>) aluminum wire. Use oxidation inhibitors on connections.

Les calibres indiqués sont ceux de fils de cuivre. Dans le cas de fils d'aluminium, utiliser deux numéros de calibre plus gros. Par exemple, si le tableau stipule d'utiliser des fils de cuivre de calibre n°12 (de 3mm<sup>2</sup>), utiliser des fils d'aluminium de calibre n°10 (de 5mm<sup>2</sup>). Utiliser un inhibiteur d'oxydation sur les connexions.

Los tamaños indicados son para hilos de cobre. Para los cables de aluminio, suba dos tamaños. Por ejemplo, si el cuadro indica el No. 12 (3mm<sup>2</sup>) para hilos de cobre, use No. 10 (5mm<sup>2</sup>) para hilos de aluminio. Use inhibidores de corrosión en todas las conexiones.

TABLE VIII • Tableau VIII • Cuadro VIII

Model • Modèle • Modelo	Wire Size, AWG; Cable Length in FEET • Calibre du fil, AWG, longueur du fil en PIEDS • Tamaño de los hilos, AWG; longitud de los hilos en PIES												
	HP • ch	Volt	14	12	10	8	6	4	3	2	1	0	00
P43B0005A2	1/2	230	447	711	1135	1797	2796	4458	5604	7078	8916		
P43B0007A2	3/4	230	348	553	883	1398	2175	3467	4359	5505	6935		
P43B0010A2	1	230	304	484	772	1223	1903	3034	3814	4817	6068		
P43B0015A2	1 1/2	230	197	314	501	793	1234	1968	2474	3124	3936	4968	6268
P43B0020A2	2	230	180	286	456	722	1123	1790	2251	2843	3581	4520	5703
P43B0030A2	3	230	133	211	337	534	830	1324	1664	2102	2648	3342	4217
P43B0050A2	5	230			206	326	507	809	1017	1284	1618	2042	2577
P43B0005A2-01	1/2	230	457	726	1158	1835	2855	4551	5721	7225	9102	11489	
P43B0007A2-01	3/4	230	365	581	927	1468	2284	3641	4577	5780	7281	9191	
P43B0010A2-01	1	230	300	478	762	1206	1877	2992	3762	4751	5985	7554	
P43B0015A2-01	1 1/2	230	201	320	510	808	1257	2004	2519	3182	4008	5059	6383
P43B0005A2-02	1/2	230	487	775	1236	1957	3045	4854	6102	7707			
P43B0007A2-02	3/4	230	387	616	982	1556	2421	3859	4852	6127	7719		
P43B0010A2-02	1	230	323	514	820	1299	2021	3222	4050	5115	6444		
P43B0015A2-02	1 1/2	230	205	326	520	823	1281	2041	2566	3241	4083	5154	6502
P43C0005A2	1/2	230	487	775	1236	1957	3045	4854	6102	7707			
P43C0007A2	3/4	230	387	616	982	1556	2421	3859	4852	6127	7719		
P43C0010A2	1	230	323	514	820	1299	2021	3222	4050	5115	6444		
P43C0015A2	1 1/2	230	205	326	520	823	1281	2041	2566	3241	4083	5154	6502
G43A0005A2	1/2	230	482	766	1222	1935	3012	4801	6035	7622	9602		
G43A0007A2	3/4	230	371	590	941	1490	2319	3696	4647	5868	7392	9331	
G43A0010A2	1	230	273	435	693	1098	1709	2724	3424	4324	5447	6876	8675
G43A0015A2	1 1/2	230	160	254	406	643	1000	1594	2004	2531	3189	4025	5078

**60 Hz, Single Phase, 3-Wire Copper Cable Length in FEET (Service to Motor), Capacitor Start, Capacitor Run**

Longueur des fils de cuivre, en PIEDS (branchement de service vers moteur) trifilaire, monophasé, 60 Hz, capacitance au démarrage et en marche

Largo del cable de cobre en PIES (Servicio al motor) trifilar, monofásicos, 60 Hz, Arranque por capacitor, Marcha por capacitor

See Table VIII Notes • Voir les remarques relatives au tableau VIII • Ver notas del cuadro VIII

**TABLE VIII • Tableau VIII • Cuadro VIII**

Model • Modèle • Modelo	Wire Size, AWG; Cable Length in FEET • Calibre du fil, AWG, longueur du fil en PIEDS • Tamaño de los hilos, AWG; longitud de los hilos en PIES												
	HP • ch	Volt	14	12	10	8	6	4	3	2	1	0	00
P43B0005A1	1/2	115/60/1	87	138	221	349	544	867	1090	1376	1734	2188	2761
P43B0005A2	1/2	230/60/1	348	553	883	1398	2175	3467	4359	5505	6935		
P43B0007A2	3/4	230/60/1	264	420	670	1061	1651	2632	3309	4178	5264	6644	
P43B0010A2	1	230/60/1	226	359	573	908	1413	2252	2831	3575	4504	5685	
P43B0005A1-01	1/2	115/60/1	101	160	255	404	629	1002	1260	1591	2004	2530	3192
P43B0005A2-01	1/2	230/60/1	359	571	912	1444	2246	3581	4502	5685	7162		
P43B0007A2-01	3/4	230/60/1	281	447	713	1129	1757	2800	3521	4446	5601	7070	
P43B0010A2-01	1	230/60/1	233	371	592	937	1458	2324	2921	3689	4648	5867	
P43B0005A1-02	1/2	115/60/1	100	158	253	400	623	993	1248	1576	1986	2507	3162
P43B0005A2-02	1/2	230/60/1	371	591	942	1493	2322	3702	4654	5878	7405	9347	
P43B0007A2-02	3/4	230/60/1	288	459	732	1159	1803	2874	3613	4563	5748	7256	
P43B0010A2-02	1	230/60/1	243	387	618	978	1522	2427	3051	3853	4854	6127	7731
P43C0005A1	1/2	115/60/1	100	158	253	400	623	993	1248	1576	1986	2507	3162
P43C0005A2	1/2	230/60/1	371	591	942	1493	2322	3702	4654	5878	7405		
P43C0007A2	3/4	230/60/1	288	459	732	1159	1803	2874	3613	4563	5748	7256	
P43C0010A2	1	230/60/1	243	387	618	978	1522	2427	3051	3853	4854	6127	
G43A0005A1	1/2	115/60/1	82	130	207	329	511	815	1025	1294	1630	2058	2596
G43A0005A2	1/2	230/60/1	348	553	883	1398	2175	3467	4359	5505	6935	8753	
G43A0007A2	3/4	230/60/1	267	425	678	1074	1671	2664	3349	4229	5328	6725	8485
G43A0010A2	1	230/60/1	203	323	515	815	1269	2023	2543	3211	4045	5106	6442

**60 Hz, Single Phase, 3-Wire Copper Cable Length in FEET (Service to Motor), Capacitor Start, Induction Run**

Longueur des fils de cuivre, en PIEDS (branchement de service vers moteur) trifilaire, monophasé, 60 Hz, capacitance au démarrage, fonctionnement par induction

Largeo del cable de cobre en PIES (Servicio al motor) trifilar, monofásicos, 60 Hz, Arranque por capacitor, Marcha por inducción

**Table VIII Notes • Remarques relatives au tableau VIII • Notas del cuadro VIII**

Sizes given are for copper wire. For aluminum wire, go two sizes larger. For example, if table lists #12 (3mm<sup>2</sup>) copper wire, use #10 (5mm<sup>2</sup>) aluminum wire. Use oxidation inhibitors on connections.

Les calibres indiqués sont ceux de fils de cuivre. Dans le cas de fils d'aluminium, utiliser deux numéros de calibre plus gros. Par exemple, si le tableau stipule d'utiliser des fils de cuivre de calibre n°12 (de 3mm<sup>2</sup>), utiliser des fils d'aluminium de calibre n°10 (de 5mm<sup>2</sup>). Utiliser un inhibiteur d'oxydation sur les connexions.

Los tamaños indicados son para hilos de cobre. Para los cables de aluminio, suba dos tamaños. Por ejemplo, si el cuadro indica el No. 12 (3mm<sup>2</sup>) para hilos de cobre, use No. 10 (5mm<sup>2</sup>) para hilos de aluminio. Use inhibidores de corrosión en todas las conexiones.

Table IX • Tableau IX • Cuadro IX

Model • Modèle • Modelo	Wire Size, AWG; Cable Length in METERS • Calibre du fil, AWG, longueur du fil en MÈTRES • Tamaño de los hilos, AWG; longitud de los hilos en METROS												
	HP • ch	Volt	14	12	10	8	6	4	3	2	1	0	00
P43B0005A2	1/2	230	136	217	346	548	852	1359	1708	2157	2718	0	
P43B0007A2	3/4	230	106	169	269	426	663	1057	1329	1678	2114	0	0
P43B0010A2	1	230	93	148	235	373	580	925	1163	1468	1849	0	0
P43B0015A2	1 1/2	230	60	96	153	242	376	600	754	952	1200	1514	1910
P43B0020A2	2	230	55	87	139	220	342	546	686	866	1091	1378	1738
P43B0030A2	3	230	40	64	103	163	253	404	507	641	807	1019	1285
P43B0050A2	5	230			63	99	155	247	310	391	493	623	785
P43B0005A2-01	1/2	230	139	221	353	559	870	1387	1744	2202	2774	3502	
P43B0007A2-01	3/4	230	111	177	282	447	696	1110	1395	1762	2219	2801	0
P43B0010A2-01	1	230	92	146	232	368	572	912	1147	1448	1824	2303	0
P43B0015A2-01	1 1/2	230	61	97	155	246	383	611	768	970	1222	1542	1946
P43B0005A2-02	1/2	230	148	236	377	596	928	1480	1860	2349	0	0	
P43B0007A2-02	3/4	230	118	188	299	474	738	1176	1479	1868	2353	0	0
P43B0010A2-02	1	230	99	157	250	396	616	982	1235	1559	1964	0	0
P43B0015A2-02	1 1/2	230	62	99	158	251	390	622	782	988	1244	1571	1982
P43C0005A2	1/2	230	148	236	377	596	928	1480	1860	2349	0	0	
P43C0007A2	3/4	230	118	188	299	474	738	1176	1479	1868	2353	0	0
P43C0010A2	1	230	99	157	250	396	616	982	1235	1559	1964	0	0
P43C0015A2	1 1/2	230	62	99	158	251	390	622	782	988	1244	1571	1982
G43A0005A2	1/2	230	147	234	372	590	918	1463	1840	2323	2927	0	
G43A0007A2	3/4	230	113	180	287	454	707	1127	1416	1789	2253	2844	0
G43A0010A2	1	230	83	132	211	335	521	830	1044	1318	1660	2096	2644
G43A0015A2	1 1/2	230	49	78	124	196	305	486	611	772	972	1227	1548

**60 Hz, Single Phase, 3-Wire Copper Cable Length in METERS (Service to Motor), Capacitor Start, Capacitor Run**

Longueur des fils de cuivre, en MÈTRES (branchement de service vers moteur) trifilaire, monophasé, 60 Hz, capacitance au démarrage et en marche

Largo del cable de cobre en METROS (Servicio al motor) trifilar, monofásicos, 60 Hz, Arranque por capacitor, Marcha por capacitor

See Table IX Notes • Voir les remarques relatives au tableau IX • Ver notas del cuadro IX

**Table IX • Tableau IX • Cuadro IX**

Model • Modèle • Modelo	Wire Size, AWG; Cable Length in METERS • Calibre du fil, AWG, longueur du fil en MÈTRES • Tamaño de los hilos, AWG; longitud de los hilos en METROS												
	HP • ch	Volt	14	12	10	8	6	4	3	2	1	0	00
P43B0005A1	1/2	115/60/1	27	42	67	107	166	264	332	419	528	667	842
P43B0005A2	1/2	230/60/1	106	169	269	426	663	1057	1329	1678	2114	0	
P43B0007A2	3/4	230/60/1	80	128	204	323	503	802	1008	1274	1604	2025	0
P43B0010A2	1	230/60/1	69	110	175	277	431	686	863	1090	1373	1733	0
P43B0005A1-01	1/2	115/60/1	31	49	78	123	192	305	384	485	611	771	973
P43B0005A2-01	1/2	230/60/1	110	174	278	440	685	1091	1372	1733	2183	0	
P43B0007A2-01	3/4	230/60/1	86	136	217	344	535	854	1073	1355	1707	2155	0
P43B0010A2-01	1	230/60/1	71	113	180	286	444	708	890	1125	1417	1788	0
P43B0005A1-02	1/2	115/60/1	30	48	77	122	190	303	380	480	605	764	964
P43B0005A2-02	1/2	230/60/1	113	180	287	455	708	1128	1419	1792	2257	2849	
P43B0007A2-02	3/4	230/60/1	88	140	223	353	550	876	1101	1391	1752	2212	0
P43B0010A2-02	1	230/60/1	74	118	188	298	464	740	930	1174	1480	1868	2356
P43C0005A1	1/2	115/60/1	30	48	77	122	190	303	380	480	605	764	964
P43C0005A2	1/2	230/60/1	113	180	287	455	708	1128	1419	1792	2257	0	
P43C0007A2	3/4	230/60/1	88	140	223	353	550	876	1101	1391	1752	2212	0
P43C0010A2	1	230/60/1	74	118	188	298	464	740	930	1174	1480	1868	0
G43A0005A1	1/2	115/60/1	25	40	63	100	156	248	312	394	497	627	791
G43A0005A2	1/2	230/60/1	106	169	269	426	663	1057	1329	1678	2114	2668	
G43A0007A2	3/4	230/60/1	81	130	207	327	509	812	1021	1289	1624	2050	2586
G43A0010A2	1	230/60/1	62	98	157	249	387	616	775	979	1233	1556	1964

**60 Hz, Single Phase, 3-Wire Copper Cable Length in METERS (Service to Motor), Capacitor Start, Induction Run**

Longueur des fils de cuivre, en MÈTRES (branchement de service vers moteur) trifilaire, monophasé, 60 Hz, capacitance au démarrage, fonctionnement par induction

Large del cable de cobre en METROS (Servicio al motor) trifilar, monofásicos, 60 Hz, Arranque por capacitor, Marcha por inducción

**Table IX Notes • Remarques relatives au tableau IX • Notas del cuadro IX**

Sizes given are for copper wire. For aluminum wire, go two sizes larger. For example, if table lists #12 (3mm<sup>2</sup>) copper wire, use #10 (5mm<sup>2</sup>) aluminum wire. Use oxidation inhibitors on connections.

Les calibres indiqués sont ceux de fils de cuivre. Dans le cas de fils d'aluminium, utiliser deux numéros de calibre plus gros. Par exemple, si le tableau stipule d'utiliser des fils de cuivre de calibre n°12 (de 3mm<sup>2</sup>), utiliser des fils d'aluminium de calibre n°10 (de 5mm<sup>2</sup>). Utiliser un inhibiteur d'oxydation sur les connexions.

Los tamaños indicados son para hilos de cobre. Para los cables de aluminio, suba dos tamaños. Por ejemplo, si el cuadro indica el No. 12 (3mm<sup>2</sup>) para hilos de cobre, use No. 10 (5mm<sup>2</sup>) para hilos de aluminio. Use inhibidores de corrosión en todas las conexiones.

**Table X • Tableau X • Cuadro X – 200 Volts**

Model • Modèle • Modelo	Wire Size, AWG; Cable Length in FEET • Calibre du fil, AWG, longueur du fil en PIEDS • Tamaño de los hilos, AWG; longitud de los hilos en PIES													
	HP • ch	Volts/ Hz/Ph • Voltios/Hz/ Fase	Kw	14	12	10	8	6	4	3	2	1	0	00
P43B0005A8	1/2	200/60/3	0.37	560	892	1422	2252							
P43B0007A8	3/4	200/60/3	0.55	423	674	1074	1702	2648						
P43B0010A8	1	200/60/3	0.75	346	551	879	1392	2166	3454	4342				
P43B0015A8	1-1/2	200/60/3	1.1	265	421	672	1064	1655	2638	3317				
P43B0020A8	2	200/60/3	1.5	217	344	549	870	1354	2158	2714	3427	4317	5449	
P43B0030A8	3	200/60/3	2.2	159	253	403	638	993	1583	1990	2513	3166	3996	
P43B0050A8	5	200/60/3	3.7	94	150	239	379	590	940	1182	1493	1881	2374	2995
P43B0075A8	7-1/2	200/60/3	5.5	64	101	161	255	397	633	796	1005	1266	1598	2017

**60 Hz, Three Phase Copper Cable Length in FEET (Service to Motor) – 200 Volts**

Longueur des fils de cuivre – 200 Volts, en PIEDS (branchement de service vers moteur) triphasé, 60 Hz

Largo del cable de cobre – 200 Voltios en PIES (Servicio al motor) trifásicos, 60 Hz

See Table X Notes • Voir les remarques relatives au tableau X • Ver notas del cuadro X

**Table X • Tableau X • Cuadro X – 230 Volts**

Model • Modèle • Modelo	Wire Size, AWG; Cable Length in FEET • Calibre du fil, AWG, longueur du fil en PIEDS • Tamaño de los hilos, AWG; longitud de los hilos en PIES													
	HP • ch	Volts/ Hz/Ph • Voltios/Hz/ Fase	Kw	14	12	10	8	6	4	3	2	1	0	00
P43B0005A3	1/2	230/60/3	.37	645	1025	1635	2590	4030	6425					
P43B0007A3	3/4	230/60/3	.55	562	894	1426	2258	3513	5601	7041				
P43B0010A3	1	230/60/3	.75	466	742	1183	1874	2915	4648	5843	7379			
P43B0015A3	1-1/2	230/60/3	1.1	359	571	912	1444	2246	3581	4502	5685	7162	9040	
P43B0020A3	2	230/60/3	1.5	288	459	732	1159	1803	2874	3613	4563	5748	7256	9155
P43B0030A3	3	230/60/3	2.2	217	345	551	872	1357	2163	2719	3434	4326	5460	6889
P43B0050A3	5	230/60/3	3.7			318	503	783	1248	1569	1982	2496	3151	3976
P43B0075A3	7-1/2	230/60/3	5.5				334	519	827	1040	1314	1655	2089	2635

**60 Hz, Three Phase Copper Cable Length in FEET (Service to Motor) – 230 Volts**

Longueur des fils de cuivre – 230 Volts, en PIEDS (branchement de service vers moteur) triphasé, 60 Hz

Largo del cable de cobre – 230 Voltios en PIES (Servicio al motor) trifásicos, 60 Hz

See Table X Notes • Voir les remarques relatives au tableau X • Ver notas del cuadro X



**Table X • Tableau X • Cuadro X – 460 Volts**

Model • Modèle • Modelo	Wire Size, AWG; Cable Length in FEET • Calibre du fil, AWG, longueur du fil en PIEDS • Tamaño de los hilos, AWG; longitud de los hilos en PIES											
	HP • ch	Volts/Hz/Ph • Voltios/Hz/Fase	Kw	14	12	10	8	6	4	3	2	1
P43B0005A4	1/2	460/60/3	0.37	2922	4648	7414						
P43B0007A4	3/4	460/60/3	0.55	2191	3486	5560	8806					
P43B0010A4	1	460/60/3	0.75	1753	2789	4448	7045					
P43B0015A4	1-1/2	460/60/3	1.1	1370	2179	3475	5504					
P43B0020A4	2	460/60/3	1.5	1153	1835	2926	4635	7212				
P43B0030A4	3	460/60/3	2.2	827	1315	2098	3323	5171				
P43B0050A4	5	460/60/3	3.7	516	820	1308	2072	3224	5140			
P43B0075A4	7-1/2	460/60/3	5.5	325	516	824	1305	2030	3236	4068	5138	6472
P43B0100A4	10	460/60/3	7.5	255	405	647	1024	1593	2540	3193	4033	5080

**60 Hz, Three Phase Copper Cable Length in FEET (Service to Motor) – 460 Volts**

Longueur des fils de cuivre – 460 Volts, en PIEDS (branchement de service vers moteur) triphasé, 60 Hz

Largo del cable de cobre – 460 Voltios en PIES (Servicio al motor) trifásicos, 60 Hz

See Table X Notes • Voir les remarques relatives au tableau X • Ver notas del cuadro X

**Table X • Tableau X • Cuadro X – 575 Volts**

Model • Modèle • Modelo	Wire Size, AWG; Cable Length in FEET • Calibre du fil, AWG, longueur du fil en PIEDS • Tamaño de los hilos, AWG; longitud de los hilos en PIES							
	HP • ch	Volts/Hz/Ph • Voltios/Hz/Fase	Kw	14	12	10	8	6
P43B0015A5	1-1/2	575/60/3	1.1	2283	3631	5792		
P43B0020A5	2	575/60/3	1.5	1660	2641	4212	6671	
P43B0030A5	3	575/60/3	2.2	1336	2126	3390	5370	
P43B0050A5	5	575/60/3	3.7	721	1147	1829	2897	4507
P43B0075A5	7-1/2	575/60/3	5.5	548	871	1390	2202	3426

**60 Hz, Three Phase Copper Cable Length in FEET (Service to Motor) – 575 Volts**

Longueur des fils de cuivre – 575 Volts, en PIEDS (branchement de service vers moteur) triphasé, 60 Hz

Largo del cable de cobre – 575 Voltios en PIES (Servicio al motor) trifásicos, 60 Hz

Table X Notes • Remarques relatives au tableau X • Notas del cuadro X

- Sizes given are for copper wire. For aluminum wire, go two sizes larger. For example, if table lists #12 (3mm<sup>2</sup>) copper wire, use #10 (5mm<sup>2</sup>) aluminum wire. Use oxidation inhibitors on connections.  
Les calibres indiqués sont ceux de fils de cuivre. Dans le cas de fils d'aluminium, utiliser deux numéros de calibre plus gros. Par exemple, si le tableau stipule d'utiliser des fils de cuivre de calibre n°12 (de 3mm<sup>2</sup>), utiliser des fils d'aluminium de calibre n°10 (de 5mm<sup>2</sup>). Utiliser un inhibiteur d'oxydation sur les connexions.  
Los tamaños indicados son para hilos de cobre. Para los cables de aluminio, suba dos tamaños. Por ejemplo, si el cuadro indica el No. 12 (3mm<sup>2</sup>) para hilos de cobre, use No. 10 (5mm<sup>2</sup>) para hilos de aluminio. Use inhibidores de corrosión en todas las conexiones.
- For reliable three phase starter operation, length of wire between starter and service entrance should be not more than 25% of total wire length.  
Pour un fonctionnement fiable des démarreurs triphasés, la longueur du fil entre le démarreur et l'entrée du service ne doit pas dépasser 25 % de la longueur totale des fils.  
Para la operación fiable de un arranque trifásico, el largo del cable entre el arrancador y la entrada de servicio no debe ser mayor que el 25% del largo total del cable.

**Table XI • Tableau XI • Cuadro XI – 200 Volts**

Model • Modèle • Modelo	Wire Size, AWG; Cable Length in METERS • Calibre du fil, AWG, longueur du fil en MÈTRES • Tamaño de los hilos, AWG; longitud de los hilos en METROS												
	HP • ch	Volts/ Hz/Ph • Voltios/Hz/ Fase	Kw	14	12	10	8	6	4	3	2	1	0
P43B0005A8	1/2	200/60/3	0.37	171	272	433	686						
P43B0007A8	3/4	200/60/3	0.55	129	205	327	519	807					
P43B0010A8	1	200/60/3	0.75	106	168	268	424	660	3454	4342			
P43B0015A8	1-1/2	200/60/3	1.1	81	128	205	324	504	2638	3317			
P43B0020A8	2	200/60/3	1.5	66	105	167	265	413	658	2714	3427	4317	5449
P43B0030A8	3	200/60/3	2.2	48	77	123	195	303	482	1990	2513	3166	3996
P43B0050A8	5	200/60/3	3.7	29	46	73	116	180	287	360	1493	1881	2374
P43B0075A8	7-1/2	200/60/3	5.5	19	31	49	78	121	193	243	306	386	487

**60 Hz, Three Phase Copper Cable Length in METERS (Service to Motor) - 200 Volts**

Longueur des fils de cuivre – 200 Volts, en MÈTRES (branchement de service vers moteur) triphasé, 60 Hz

Largo del cable de cobre – 200 Voltios en METROS (Servicio al motor) trifásicos, 60 Hz

See Table XI Notes • Voir les remarques relatives au tableau XI • Ver notas del cuadro XI

**Table XI • Tableau XI • Cuadro XI – 230 Volts**

Model • Modèle • Modelo	Wire Size, AWG; Cable Length in METERS • Calibre du fil, AWG, longueur du fil en MÈTRES • Tamaño de los hilos, AWG; longitud de los hilos en METROS													
	HP • ch	Volts/ Hz/Ph • Voltios/Hz/ Fase	Kw	14	12	10	8	6	4	3	2	1	0	00
P43B0005A3	1/2	230/60/3	.37	196	313	498	789	1228	1958					
P43B0007A3	3/4	230/60/3	.55	171	272	435	688	1071	1797	2146				
P43B0010A3	1	230/60/3	.75	142	226	361	571	889	1417	1781	2249			
P43B0015A3	1-1/2	230/60/3	1.1	110	174	278	440	685	1091	1372	1733	2183	2756	
P43B0020A3	2	230/60/3	1.5	88	140	223	353	550	876	1101	1391	1752	2212	2790
P43B0030A3	3	230/60/3	2.2	66	105	168	266	414	659	829	1047	1318	1664	2100
P43B0050A3	5	230/60/3	3.7			97	153	239	380	478	604	761	960	1212
P43B0075A3	7-1/2	230/60/3	5.5				102	158	252	317	400	504	637	803

**60 Hz, Three Phase Copper Cable Length in METERS (Service to Motor) - 230 Volts**

Longueur des fils de cuivre – 230 Volts, en MÈTRES (branchement de service vers moteur) triphasé, 60 Hz

Largo del cable de cobre – 230 Voltios en METROS (Servicio al motor) trifásicos, 60 Hz

See Table XI Notes • Voir les remarques relatives au tableau XI • Ver notas del cuadro XI

**Table XI • Tableau XI • Cuadro XI – 460 Volts**

Model • Modèle • Modelo	Wire Size, AWG; Cable Length in METERS • Calibre du fil, AWG, longueur du fil en MÈTRES • Tamaño de los hilos, AWG; longitud de los hilos en METROS											
	HP • ch	Volts/Hz/Ph • Voltios/ Hz/Fase	Kw	14	12	10	8	6	4	3	2	1
P43B0005A4	1/2	460/60/3	0.37	891	1417	2260						
P43B0007A4	3/4	460/60/3	0.55	668	1063	1695	2684					
P43B0010A4	1	460/60/3	0.75	534	850	1356	2147					
P43B0015A4	1-1/2	460/60/3	1.1	417	664	1059	1678					
P43B0020A4	2	460/60/3	1.5	352	559	892	1413	2198				
P43B0030A4	3	460/60/3	2.2	252	401	640	1013	1576				
P43B0050A4	5	460/60/3	3.7	157	250	399	632	983	1567			
P43B0075A4	7-1/2	460/60/3	5.5	99	157	251	398	619	986	1240	1566	1973
P43B0100A4	10	460/60/3	7.5	78	124	197	312	486	774	973	1229	1548

**60 Hz, Three Phase Copper Cable Length in METERS (Service to Motor) - 460 Volts**

Longueur des fils de cuivre – 460 Volts, en MÈTRES (branchement de service vers moteur) triphasé, 60 Hz  
 Largo del cable de cobre – 460 Voltios en METROS (Servicio al motor) trifásicos, 60 Hz

See Table XI Notes • Voir les remarques relatives au tableau XI • Ver notas del cuadro XI

**Table XI • Tableau XI • Cuadro XI – 575 Volts**

Model • Modèle • Modelo	Wire Size, AWG; Cable Length in METERS • Calibre du fil, AWG, longueur du fil en MÈTRES • Tamaño de los hilos, AWG; longitud de los hilos en METROS							
	HP • ch	Volts/Hz/Ph • Voltios/ Hz/Fase	Kw	14	12	10	8	6
P43B0015A5	1-1/2	575/60/3	1.1	696	1107	1765		
P43B0020A5	2	575/60/3	1.5	506	805	1284	2033	
P43B0030A5	3	575/60/3	2.2	407	648	1033	1637	
P43B0050A5	5	575/60/3	3.7	220	350	557	883	1374
P43B0075A5	7-1/2	575/60/3	5.5	167	266	424	671	1044

**60 Hz, Three Phase Copper Cable Length in METERS (Service to Motor) - 575 Volts**

Longueur des fils de cuivre – 575 Volts, en MÈTRES (branchement de service vers moteur) triphasé, 60 Hz  
 Largo del cable de cobre – 575 Voltios en METROS (Servicio al motor) trifásicos, 60 Hz

**Table XI Notes • Remarques relatives au tableau XI • Notas del cuadro XI**

- Sizes given are for copper wire. For aluminum wire, go two sizes larger. For example, if table lists #12 (3mm<sup>2</sup>) copper wire, use #10 (5mm<sup>2</sup>) aluminum wire. Use oxidation inhibitors on connections.  
 Les calibres indiqués sont ceux de fils de cuivre. Dans le cas de fils d'aluminium, utiliser deux numéros de calibre plus gros. Par exemple, si le tableau stipule d'utiliser des fils de cuivre de calibre n°12 (de 3mm<sup>2</sup>), utiliser des fils d'aluminium de calibre n°10 (de 5mm<sup>2</sup>). Utiliser un inhibiteur d'oxydation sur les connexions.  
 Los tamaños indicados son para hilos de cobre. Para los cables de aluminio, suba dos tamaños. Por ejemplo, si el cuadro indica el No. 12 (3mm<sup>2</sup>) para hilos de cobre, use No. 10 (5mm<sup>2</sup>) para hilos de aluminio. Use inhibidores de corrosión en todas las conexiones.
- For reliable 3 Phase starter operation, length of wire between starter and service entrance should be not more than 25% of total wire length.  
 Pour un fonctionnement fiable des démarreurs triphasés, la longueur du fil entre le démarreur et l'entrée du service ne doit pas dépasser 25 % de la longueur totale des fils.  
 Para la operación fiable de un arranque trifásico, el largo del cable entre el arrancador y la entrada de servicio no debe ser mayor que el 25% del largo total del cable.

**Single Phase, 2 Wire • Monophasés bifilaires • Monofásico bifilares**

For motors of 1-1/2 HP and above, use magnetic starter to avoid damage to pressure switch. Consult factory for wiring information.

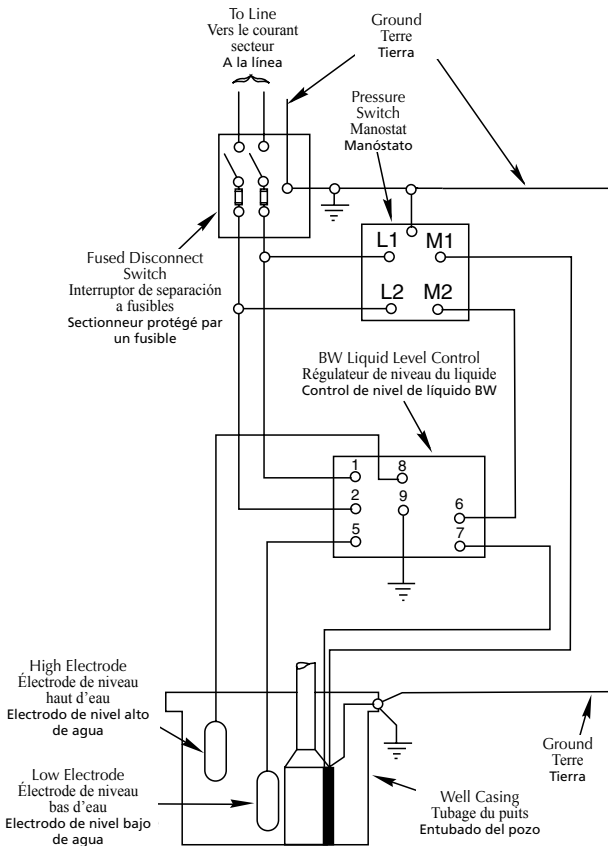
Dans le cas des moteurs d'une puissance de 1 1/2 cheval et plus, utiliser un démarreur magnétique pour ne pas endommager le manostat. Consulter l'usine pour de plus amples renseignements concernant le câblage.

Para motores de 1-1/2 HP y superiores, use el arranque magnético para no dañar el manóstat. Consulte a la fábrica por la información sobre el cableado.

**Single Phase - 1/2 HP thru 5 HP with pressure switch and liquid level control**

Moteurs monophasés de 1/2 ch à 5 ch avec pressostat et régulateur de niveau du liquide

Caja de control estándar monofásica de 1/2 HP a 5 HP con manóstat y control de nivel de líquido



**Single Phase, 2 Wire • Monophasés bifilaires • Monofásico bifilares**

For motors of 1-1/2 HP and above, use magnetic starter to avoid damage to pressure switch. Consult factory for wiring information.

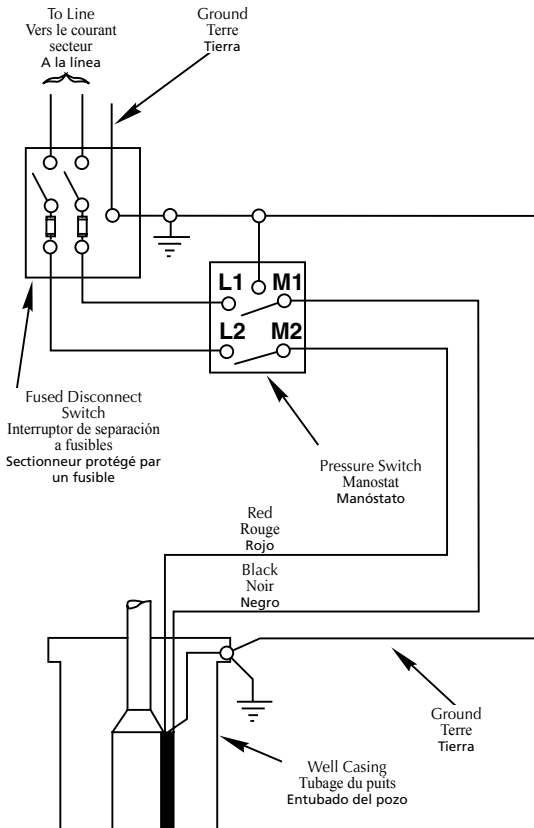
Dans le cas des moteurs d'une puissance de 1 1/2 cheval et plus, utiliser un démarreur magnétique pour ne pas endommager le manostat. Consulter l'usine pour de plus amples renseignements concernant le câblage.

Para motores de 1-1/2 HP y superiores, use el arranque magnético para no dañar el manóstato. Consulte a la fábrica por la información sobre el cableado.

**Single Phase - 1/2 HP thru 5 HP with one pump for ONE house with pressure switch**

Moteurs monophasés de 1/2 ch à 5 ch - Une pompe pour une Habitation avec pressostat

Caja de control estándar monofásica de 1/2 HP A 5 HP una bomba para una casa con manóstato



**Single Phase, 2 Wire • Monophasés bifilares • Monofásico bifilares**

For motors of 1-1/2 HP and above, use magnetic starter to avoid damage to pressure switch. Consult factory for wiring information.

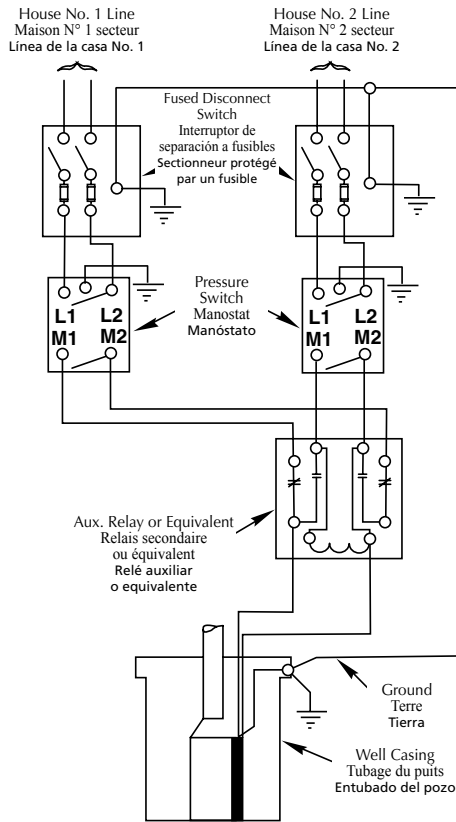
*Dans le cas des moteurs d'une puissance de 1 1/2 cheval et plus, utiliser un démarreur magnétique pour ne pas endommager le manostat. Consulter l'usine pour de plus amples renseignements concernant le câblage.*

Para motores de 1-1/2 HP y superiores, use el arranque magnético para no dañar el manóstato. Consulte a la fábrica por la información sobre el cableado.

**Single Phase - 1/2 HP thru 5 HP with one pump for TWO houses with pressure switch**

**Moteurs monophasés de 1/2 ch À 5 ch - Une pompe pour deux habitations avec pressostat**

**Caja de control estándar monofásica de 1/2 HP A 5 HP una bomba para dos casas con manóstato**



**Single Phase, 3 Wire • Monophasés à 3 fils • Monofásico, trifilar**

For motors of 1-1/2 HP and above, use magnetic starter to avoid damage to pressure switch. Consult factory for wiring information.

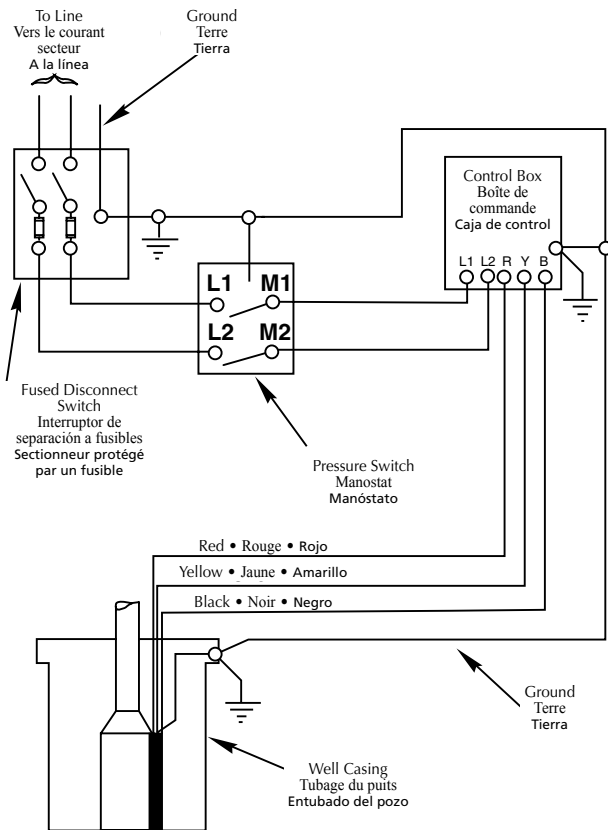
Dans le cas des moteurs d'une puissance de 1 1/2 cheval et plus, utiliser un démarreur magnétique pour ne pas endommager le manostat. Consulter l'usine pour de plus amples renseignements concernant le câblage.

Para motores de 1-1/2 HP y superiores, use el arranque magnético para no dañar el manóstat. Consulte a la fábrica por la información sobre el cableado.

**Single Phase - 1/2 HP thru 5 HP standard control box with adequate rated pressure switch**

Moteurs monophasés de 1/2 ch À 5 ch Boîte de commande standard avec manostat d'une valeur nominale adéquate

Caja de control estándar monofásica de 1/2 HP A 5 HP con manóstatato de la clasificación debida



**NOTICE** Follow color coding when connecting control box (Yellow to Y, Red to R, Black to B).

**AVIS** Respecter le codage par couleur pour le branchement de la boîte de commande (le jaune avec Y, le rouge avec R, le noir avec B).

**AVISO** Siga la codificación a color cuando conecte la caja de control (Amarillo a Y, Rojo a R, Negro a B)

**Single Phase, 3 Wire • Monophasés à 3 fils • Monofásico, trifilar**

For motors of 1-1/2 HP and above, use magnetic starter to avoid damage to pressure switch. Consult factory for wiring information.

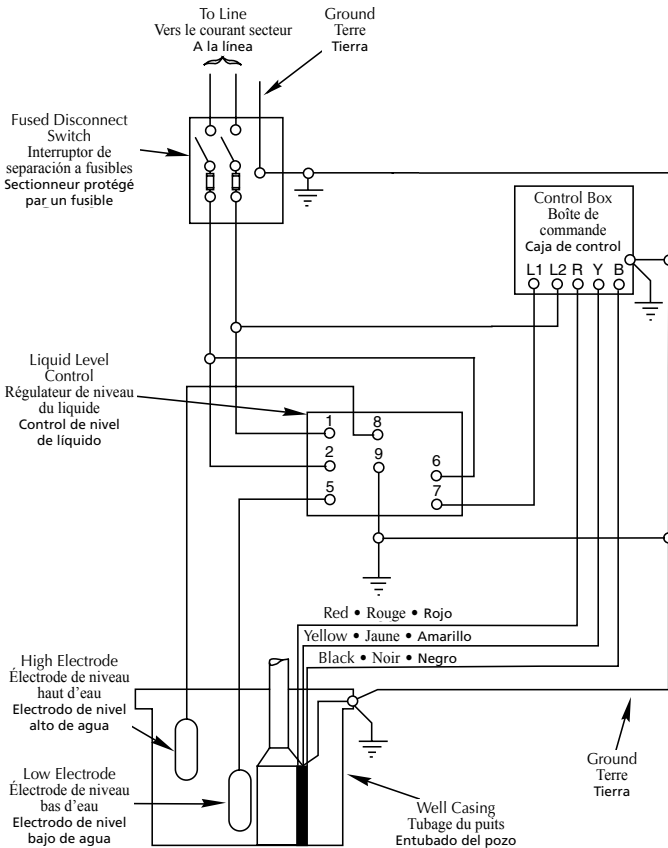
Dans le cas des moteurs d'une puissance de 1 1/2 cheval et plus, utiliser un démarreur magnétique pour ne pas endommager le manostat. Consulter l'usine pour de plus amples renseignements concernant le câblage.

Para motores de 1-1/2 HP y superiores, use el arranque magnético para no dañar el manóstat. Consulte a la fábrica por la información sobre el cableado.

**Single Phase - 1/2 HP thru 5 HP standard control box with liquid level control**

Moteurs monophasés de 1/2 ch à 5 ch boîte de commande standard avec régulateur de niveau du liquide

Caja de control estándar monofásica de 1/2 HP a 5 HP con control de nivel de líquido



**NOTICE** Follow color coding when connecting control box (Yellow to Y, Red to R, Black to B).

**AVIS** Respecter le codage par couleur pour le branchement de la boîte de commande (le jaune avec Y, le rouge avec R, le noir avec B).

**AVISO** Siga la codificación a color cuando conecte la caja de control (Amarillo a Y, Rojo a R, Negro a B)



**Single Phase, 3 Wire • Monophasés à 3 fils • Monofásico, trifilar**

For motors of 1-1/2 HP and above, use magnetic starter to avoid damage to pressure switch. Consult factory for wiring information.

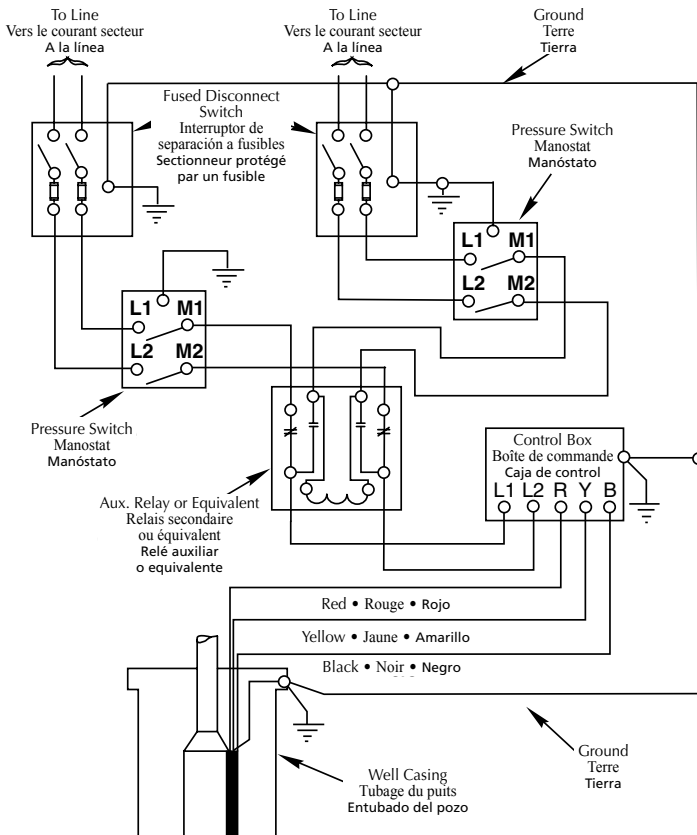
Dans le cas des moteurs d'une puissance de 1 1/2 cheval et plus, utiliser un démarreur magnétique pour ne pas endommager le manostat. Consulter l'usine pour de plus amples renseignements concernant le câblage.

Para motores de 1-1/2 HP y superiores, use el arranque magnético para no dañar el manóstat. Consulte a la fábrica por la información sobre el cableado.

**Single Phase - 1/2 HP thru 5 HP standard control box with pressure switch (One pump for 2 houses) with adequate rated pressure switch**

Moteurs monophasés de 1/2 ch à 5 ch boîte de commande standard avec manostat (Une pompe pour deux maisons) avec manostat d'une valeur nominale adéquate

Caja de control estándar monofásica de 1/2 HP a 5 HP con manóstat (Una bomba para 2 casas) Con manóstat de la clasificación debida.



**NOTICE** Follow color coding when connecting control box (Yellow to Y, Red to R, Black to B).

**AVIS** Respecter le codage par couleur pour le branchement de la boîte de commande (le jaune avec Y, le rouge avec R, le noir avec B).

**AVISO** Siga la codificación a color cuando conecte la caja de control (Amarillo a Y, Rojo a R, Negro a B)

**Single Phase, 3 Wire • Monophasés à 3 fils • Monofásico, trifilar**

For motors of 1-1/2 HP and above, use magnetic starter to avoid damage to pressure switch. Consult factory for wiring information.

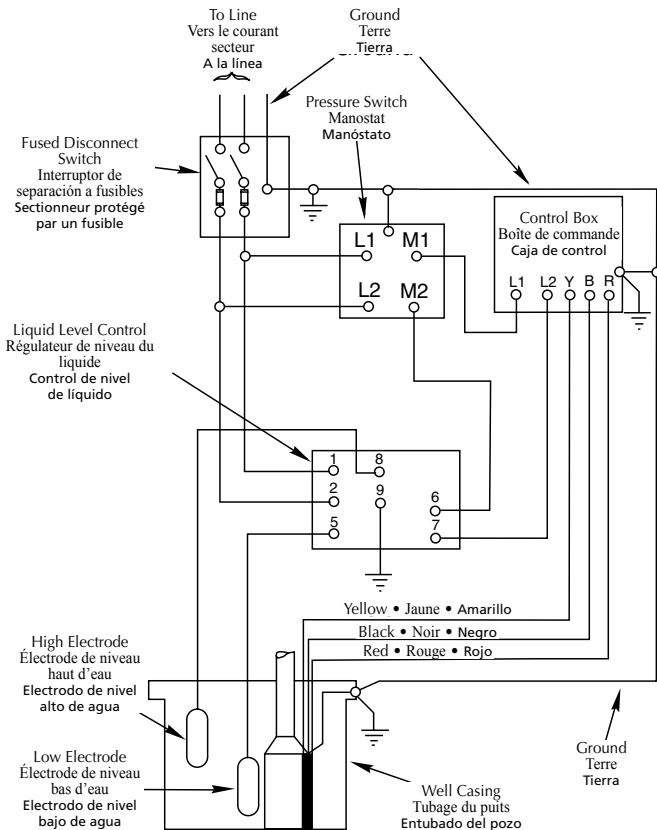
Dans le cas des moteurs d'une puissance de 1 1/2 cheval et plus, utiliser un démarreur magnétique pour ne pas endommager le manostat. Consulter l'usine pour de plus amples renseignements concernant le câblage.

Para motores de 1-1/2 HP y superiores, use el arranque magnético para no dañar el manóstat. Consulte a la fábrica por la información sobre el cableado.

**SINGLE PHASE - 1/2 HP thru 5 HP standard control box with pressure switch and liquid level control**

Moteurs monophasés de 1/2 ch à 5 ch boîte de commande standard avec manostat et régulateur de niveau du liquide

Caja de control estándar monofásica de 1/2 HP a 5 HP con manóstatoy control de nivel de líquido



**NOTICE** Follow color coding when connecting control box (Yellow to Y, Red to R, Black to B).

**AVIS** Respecter le codage par couleur pour le branchement de la boîte de commande (le jaune avec Y, le rouge avec R, le noir avec B).

**AVISO** Siga la codificación a color cuando conecte la caja de control (Amarillo a Y, Rojo a R, Negro a B)

**Single Phase, 3 Wire • Monophasés à 3 fils • Monofásico, trifilar**

For motors of 1-1/2 HP and above, use magnetic starter to avoid damage to pressure switch. Consult factory for wiring information.

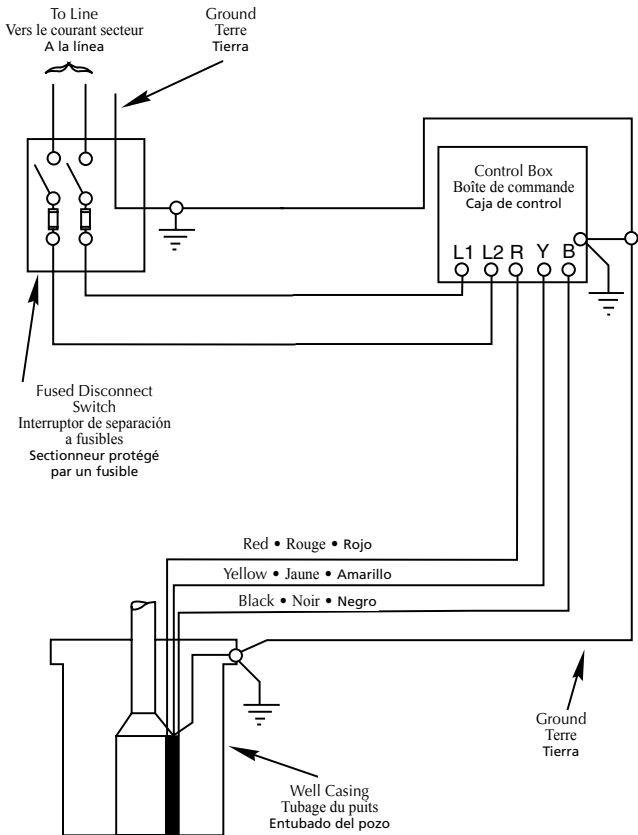
Dans le cas des moteurs d'une puissance de 1 1/2 cheval et plus, utiliser un démarreur magnétique pour ne pas endommager le manostat. Consulter l'usine pour de plus amples renseignements concernant le câblage.

Para motores de 1-1/2 HP y superiores, use el arranque magnético para no dañar el manóstat. Consulte a la fábrica por la información sobre el cableado.

**Single Phase, Open system - 1/2 HP thru 5 HP standard control box**

Système ouvert - moteurs monophasés de 1/2 ch à 5 ch boîte de commande standard

Caja de control estándar monofásica de sistema abierto de 1/2 HP a 5 HP



**NOTICE** Follow color coding when connecting control box (Yellow to Y, Red to R, Black to B).

**AVIS** Respecter le codage par couleur pour le branchement de la boîte de commande (le jaune avec Y, le rouge avec R, le noir avec B).

**AVISO** Siga la codificación a color cuando conecte la caja de control (Amarillo a Y, Rojo a R, Negro a B)

**Single Phase, 3 Wire • Monophasés à 3 fils • Monofásico, trifilar**

For motors of 1-1/2 HP and above, use magnetic starter to avoid damage to pressure switch. Consult factory for wiring information.

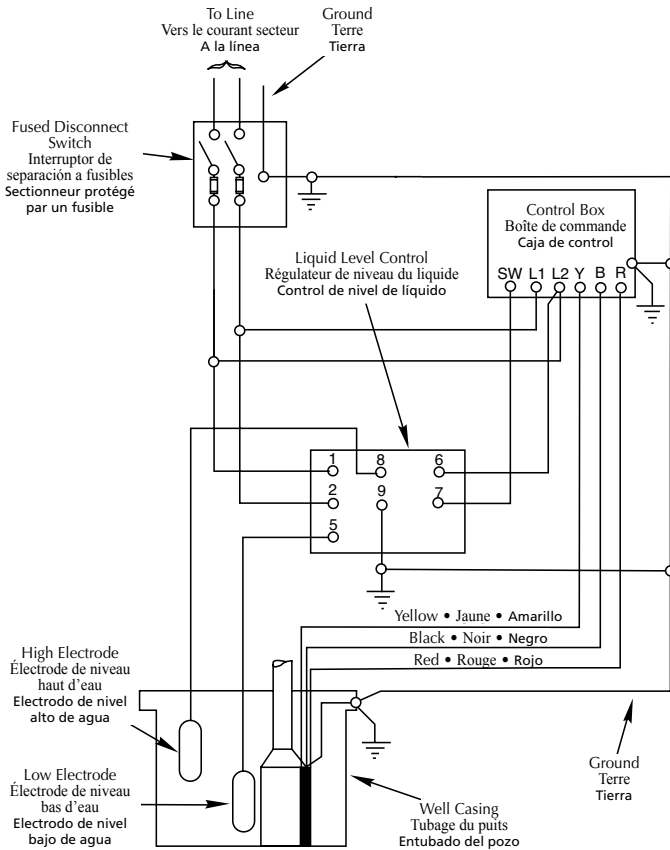
Dans le cas des moteurs d'une puissance de 1 1/2 cheval et plus, utiliser un démarreur magnétique pour ne pas endommager le manostat. Consulter l'usine pour de plus amples renseignements concernant le câblage.

Para motores de 1-1/2 HP y superiores, use el arranque magnético para no dañar el manóstato. Consulte a la fábrica por la información sobre el cableado.

**Single Phase - 1/2 HP thru 5 HP standard control box with liquid level control**

Moteurs monophasés de 1/2 ch à 5 ch boîte de commande de luxe avec régulateur de niveau du liquide

Caja de control de lujo monofásica de 1/2 HP a 5 HP con control de nivel de líquido



**NOTICE** Follow color coding when connecting control box (Yellow to Y, Red to R, Black to B).

**AVIS** Respecter le codage par couleur pour le branchement de la boîte de commande (le jaune avec Y, le rouge avec R, le noir avec B).

**AVISO** Siga la codificación a color cuando conecte la caja de control (Amarillo a Y, Rojo a R, Negro a B)

**Single Phase, 3 Wire • Monophasés à 3 fils • Monofásico, trifilar**

For motors of 1-1/2 HP and above, use magnetic starter to avoid damage to pressure switch. Consult factory for wiring information.

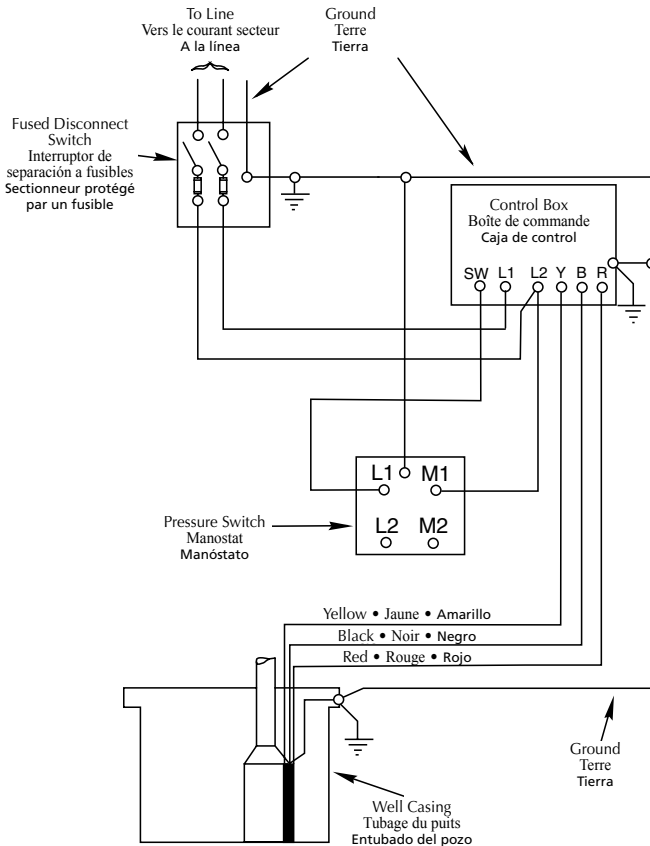
Dans le cas des moteurs d'une puissance de 1 1/2 cheval et plus, utiliser un démarreur magnétique pour ne pas endommager le manostat. Consulter l'usine pour de plus amples renseignements concernant le câblage.

Para motores de 1-1/2 HP y superiores, use el arranque magnético para no dañar el manóstato. Consulte a la fábrica por la información sobre el cableado.

**Single Phase - 2, 3, and 5 HP deluxe control boxes with pressure switch**

Moteurs monophasés de 2, 3 et 5 ch boîte de commande de luxe avec manostat

Caja de control de lujo monofásica de 2, 3 y 5 HP con manóstato



**NOTICE** Follow color coding when connecting control box (Yellow to Y, Red to R, Black to B).

**AVIS** Respecter le codage par couleur pour le branchement de la boîte de commande (le jaune avec Y, le rouge avec R, le noir avec B).

**AVISO** Siga la codificación a color cuando conecte la caja de control (Amarillo a Y, Rojo a R, Negro a B)

**Single Phase, 3 Wire • Monophasés à 3 fils • Monofásico, trifilar**

For motors of 1-1/2 HP and above, use magnetic starter to avoid damage to pressure switch. Consult factory for wiring information.

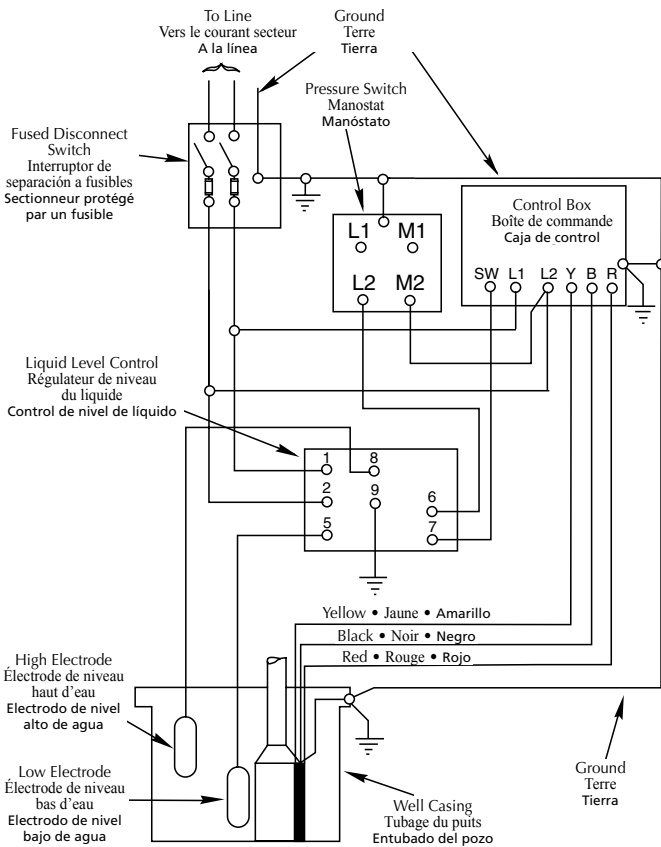
Dans le cas des moteurs d'une puissance de 1 1/2 cheval et plus, utiliser un démarreur magnétique pour ne pas endommager le manostat. Consulter l'usine pour de plus amples renseignements concernant le câblage.

Para motores de 1-1/2 HP y superiores, use el arranque magnético para no dañar el manóstato. Consulte a la fábrica por la información sobre el cableado.

**Single Phase - 1/2 HP thru 5 HP standard control box with pressure switch and liquid level control**

Moteurs monophasés de 1/2 ch à 5 ch boîte de commande de luxe avec manostat et régulateur de niveau du liquide

Caja de control de lujo monofásica de 1/2 HP a 5 HP con manóstato y control de nivel de líquido



**NOTICE** Follow color coding when connecting control box (Yellow to Y, Red to R, Black to B).

**AVIS** Respecter le codage par couleur pour le branchement de la boîte de commande (le jaune avec Y, le rouge avec R, le noir avec B).

**AVISO** Siga la codificación a color cuando conecte la caja de control (Amarillo a Y, Rojo a R, Negro a B)

**Single Phase, 3 Wire • Monophasés à 3 fils • Monofásico, trifilar**

For motors of 1-1/2 HP and above, use magnetic starter to avoid damage to pressure switch. Consult factory for wiring information.

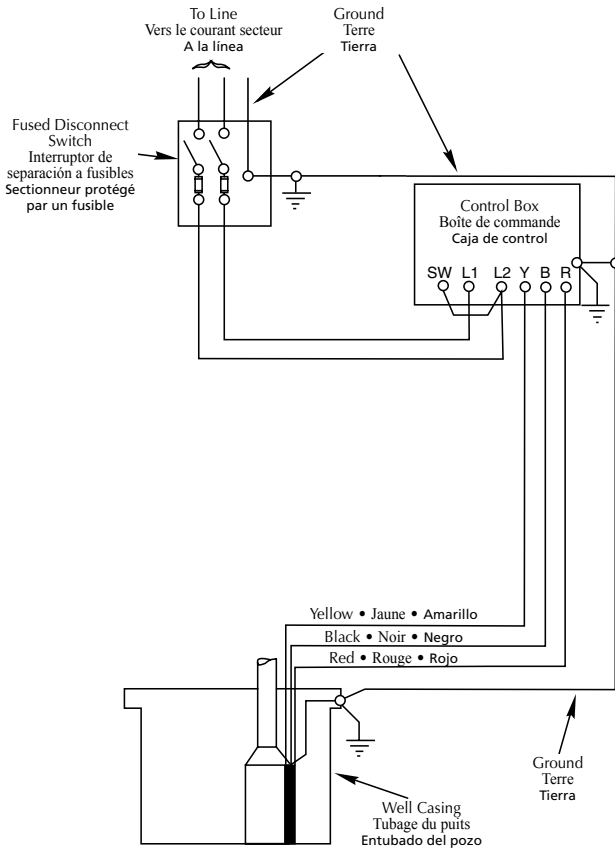
Dans le cas des moteurs d'une puissance de 1 1/2 cheval et plus, utiliser un démarreur magnétique pour ne pas endommager le manostat. Consulter l'usine pour de plus amples renseignements concernant le câblage.

Para motores de 1-1/2 HP y superiores, use el arranque magnético para no dañar el manóstato. Consulte a la fábrica por la información sobre el cableado.

**Single Phase - Open system - 1/2 HP thru 5 HP standard control box**

Système ouvert - moteurs monophasés de 1/2 ch à 5 ch boîtes de commande de luxe

Caja de control de lujo monofásica de sistema abierto de 1/2 HP a 5 HP



**NOTICE** Follow color coding when connecting control box (Yellow to Y, Red to R, Black to B).

**AVIS** Respecter le codage par couleur pour le branchement de la boîte de commande (le jaune avec Y, le rouge avec R, le noir avec B).

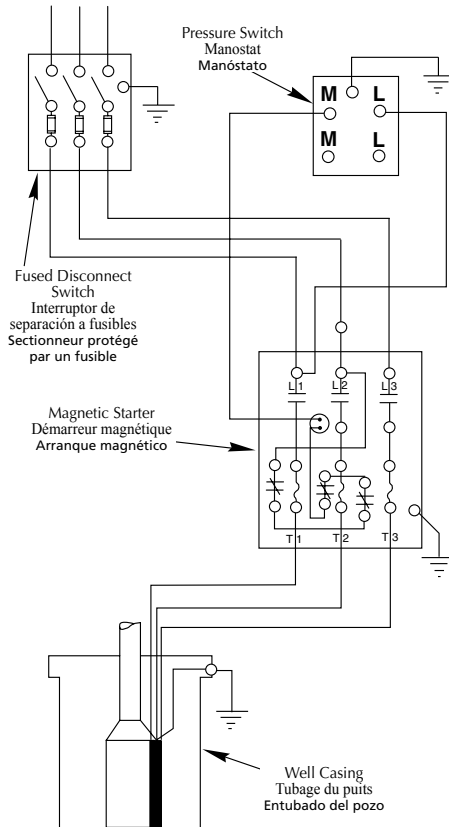
**AVISO** Siga la codificación a color cuando conecte la caja de control (Amarillo a Y, Rojo a R, Negro a B)

Three Phase • Triphasés • Trifásico

**Three Phase - 1-1/2 HP and larger with pressure switch**

Moteurs triphasés de 1 1/2 ch et plus puissants avec manostat

Trifásico de 1-1/2 HP y mayores con manóstatu



**NOTICE** Follow color coding when connecting control box (Yellow to Y, Red to R, Black to B).

**AVIS** Respecter le codage par couleur pour le branchement de la boîte de commande (le jaune avec Y, le rouge avec R, le noir avec B).

**AVISO** Siga la codificación a color cuando conecte la caja de control (Amarillo a Y, Rojo a R, Negro a B)

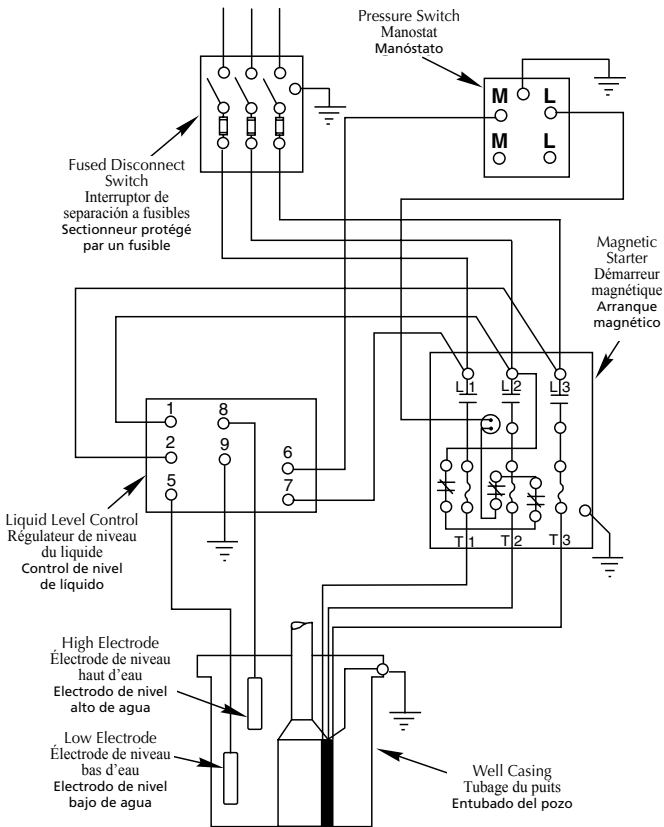


Three Phase • Triphasés • Trifásico

**Three Phase - 1-1/2 HP and larger with pressure switch and liquid level control**

Moteurs triphasés de 1 1/2 ch et plus puissants avec manostat et régulateur de niveau du liquide

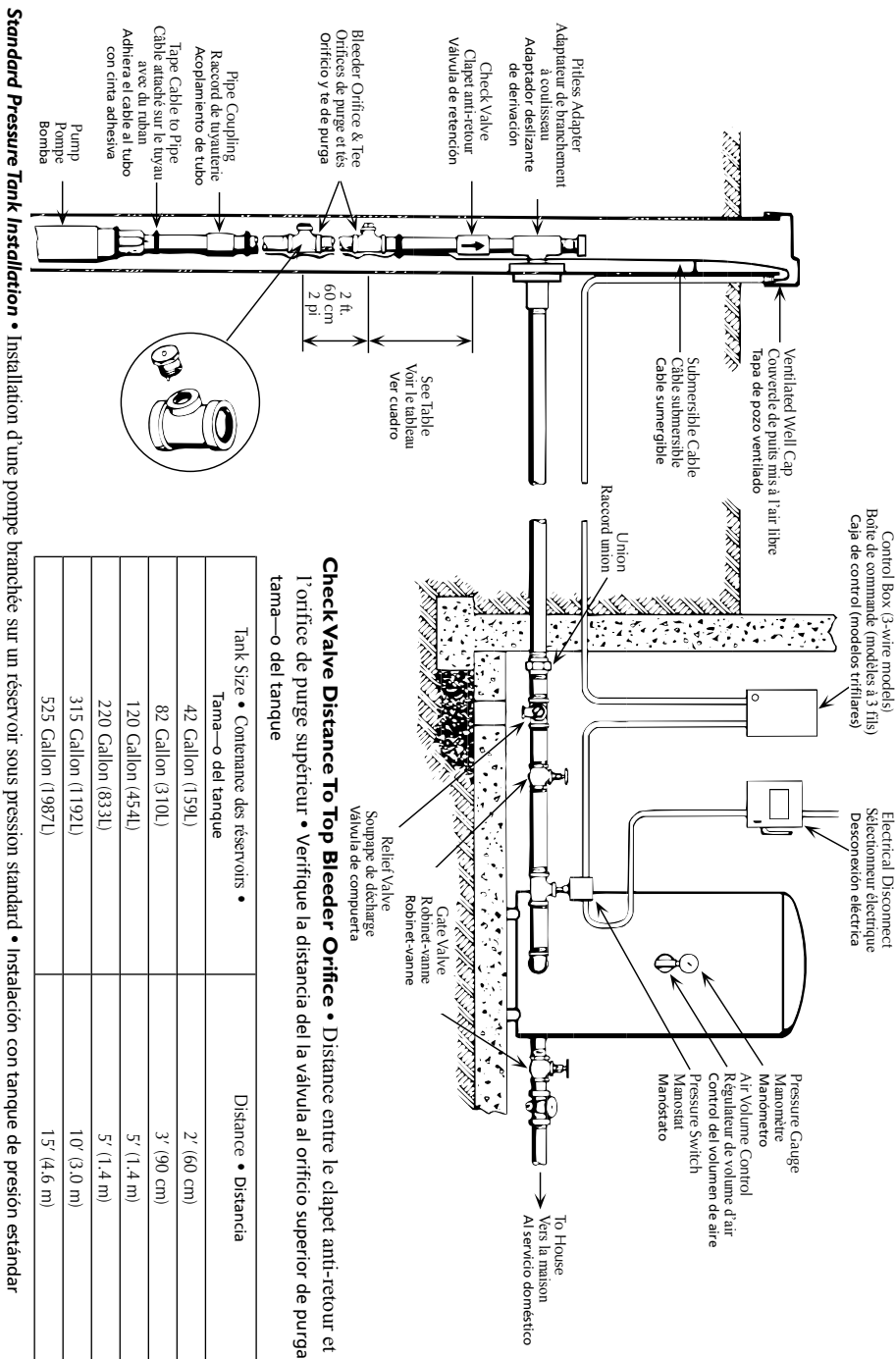
Trifásico de 1-1/2 HP y mayores con manóstatoy control de nivel de líquido

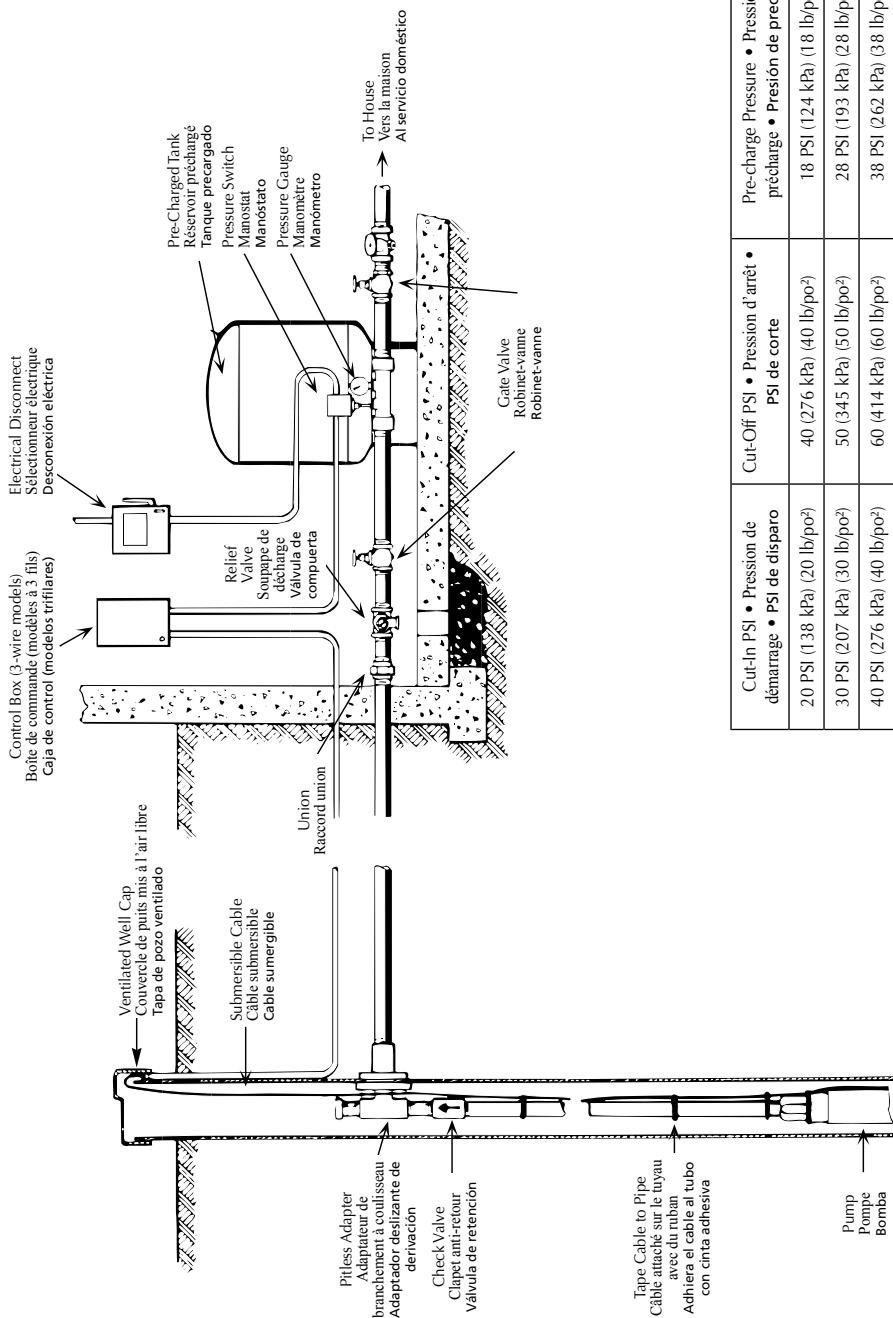


**NOTICE** Follow color coding when connecting control box (Yellow to Y, Red to R, Black to B).

**AVIS** Respecter le codage par couleur pour le branchement de la boîte de commande (le jaune avec Y, le rouge avec R, le noir avec B).

**AVISO** Siga la codificación a color cuando conecte la caja de control (Amarillo a Y, Rojo a R, Negro a B)





**Typical Submersible Installation with Pre-charged Tank** • Installation type d'une pompe submersible branchée sur un réservoir préchargé • Instalación sumergible típica con tanque precargado

Cut-In PSI • Pression de démarrage • PSI de disparo	Cut-Off PSI • Pression d'arrêt • PSI de corte	Pre-charge Pressure • Pressions de précharge • Presión de precarga
20 PSI (1.38 kPa) (20 lb/psf)	40 (2.76 kPa) (40 lb/psf)	18 PSI (1.24 kPa) (18 lb/psf)
30 PSI (2.07 kPa) (30 lb/psf)	50 (3.45 kPa) (50 lb/psf)	28 PSI (1.93 kPa) (28 lb/psf)
40 PSI (2.76 kPa) (40 lb/psf)	60 (4.14 kPa) (60 lb/psf)	38 PSI (2.62 kPa) (38 lb/psf)

