



**PIONEER INDUSTRIES, INC.**  
 3325 S. Garfield Ave.  
 Commerce, CA 90040  
 (800) 338-9468  
 www.pioneerind.com

# INSTALLATION

**Tools:**



Adjustable Wrench



Teflon Tape

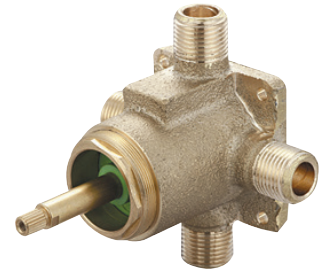


Rags

## Model Number: 4100B

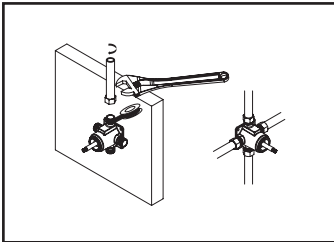
**Warnings and Notes:**

Check with local plumbing code requirements before installation. This product should be installed by a local listed plumber. **Do not use plumbers putty on threads.**

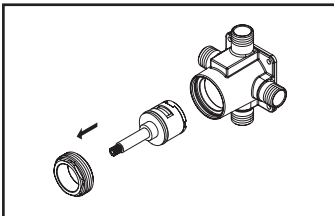


## Installation Steps:

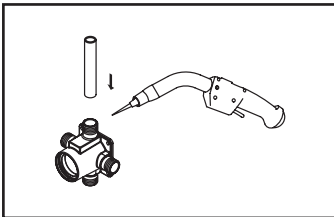
### Single Handle Diverter Valve Set



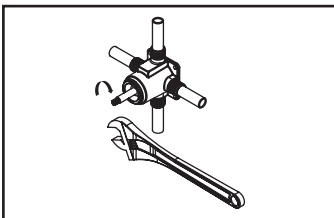
(1) Determine the distance to set valve to the recommended depth based on the lines provided for desired series. These lines designate where the installed valve should be flushed with the finished wall. Improper installation may result in performance and aesthetic issues with the product. For IPS connection:- Apply Teflon tape on valve's inlet and outlet port, before connect water pipes, make sure which one is the inlet port of the valve, connect water pipes to inlet and outlet ports, cap the unused outlet port if there is any.



(2) For CXC connection:- Remove locknut and ceramic disc cartridge before soldering.



(3) Make sure which one is the inlet port of the valve, connect water pipes to inlet and outlet ports, cap the unused outlet port if there is any. Replace ceramic disc cartridge and tighten locknut after valve cooled down.

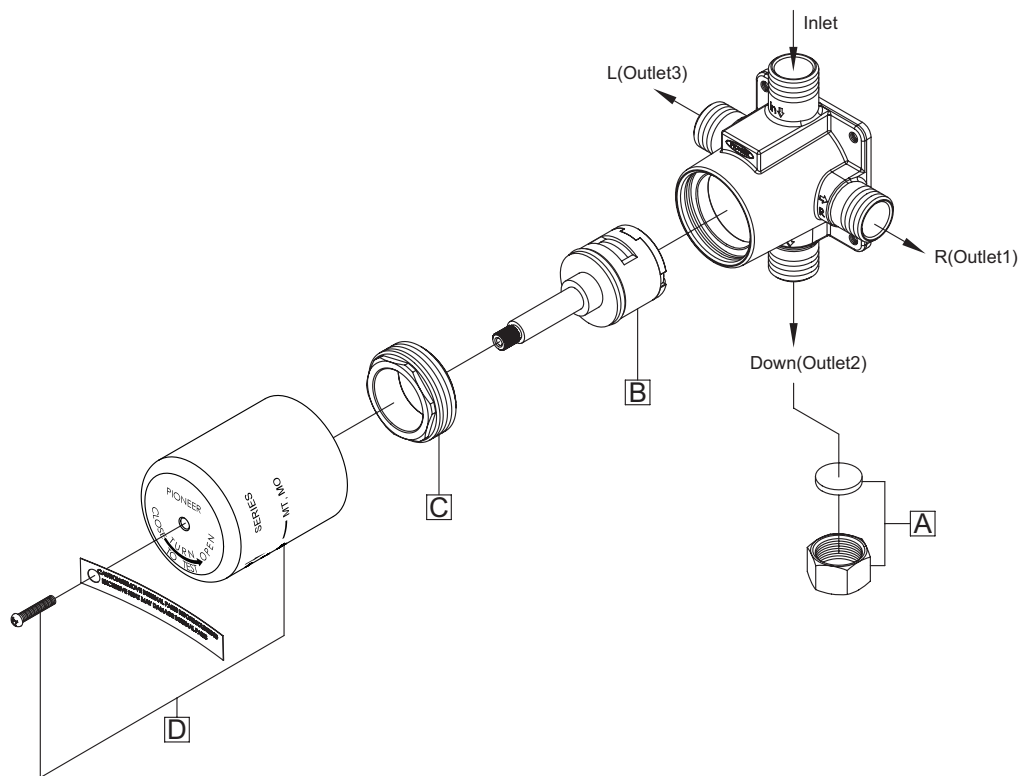


(4) Turn on water, flush the system, check any leak and diverter function works right.

Series	'A'
6MT101T	2 3/4"
6MO101T	2 3/4"

# Exploded Drawing

	ITEM #	DESCRIPTION
A	X-4900025	Cap and Washer
B	X-3600003	Ceramic Disc Cartridge
C	X-4600010	Locknut
D	X-4600044	Test Cap Mud Guard



For more care information or trouble shooting inquiries  
 about your Pioneer product, please call:  
**Pioneer Industries, Inc.** (800) 338-9468  
 Monday-Friday 8 AM to 8 PM EST (5 AM to 5 PM PST)  
[www.pioneerind.com](http://www.pioneerind.com)