

## Installation and Operating Manual



**VX**  
SERIES™

### Residential Condensing Boiler

VX 110 (model # IBGFSW1-0110)

VX 150 (model # IBGFSW1-0150)

VX 199 (model # IBGFSW1-0199)

#### WARNING

If the information in this manual is not followed exactly, a fire or explosion may result causing property damage, personal injury, or loss of life.

Do not store or use gasoline or other flammable vapors and liquids or other combustible materials in the vicinity of this or any other appliance.

#### If you smell gas:

- » Do not try to light any appliance.
- » Do not touch any electrical switch; do not use any phone in your building.
- » Immediately call your gas supplier from a nearby phone. Follow the gas supplier's instructions.
- » If you cannot reach your gas supplier, call the fire department. Installation and service must be performed by a qualified installer, service agency or the gas supplier.



# Water quality



## Warning

Water quality has a significant impact on the lifetime and performance of a boiler's heat exchanger.

Improperly prepared water in a heating circuit may cause damage to the heat exchanger through fouling or corrosion. Repeated or uncontrolled water fills will increase the potential for damage.

High levels of dissolved solids or minerals may precipitate out of the fluid onto the hottest part of the heat exchanger, impairing heat transfer and resulting in overheating and premature failure. The amount of solids that may form on the heat exchanger will depend on the degree of hardness and the total water volume in the system. A high water volume system with a low hardness count may cause as much damage as a system with less volume and higher hardness, so it is recommended to treat water so as to remove all dissolved solids. Other water chemistry allowable limits are as follows:

- » Acidity pH is to be between 6.6 and 8.5
- » Chloride is to be less than 125 mg/l
- » Iron is to be less than 0.3 mg/l
- » Cu less than 0.1 mg/l
- » Conductivity is to be less than 400 $\mu$ S/cm (at 77°F [25°C])
- » 7 grains/ gal (120 ppm)


**Important:** Ensure that these limits are acceptable for the other water-side components in the system.


Shipped with the boiler:


- » 1 x Wall mounting bracket
- » 1 x Condensate trap assembly
- » 1 x 30 psig pressure relief valve
- » 1 x Outdoor temperature sensor
- » 2 x ¼" x 2 ½" Lag screws/w flat washers
- » 1 x Propane fuel conversion kit


# Safety information

## Manual safety markings

 **Danger**  
Points out an immediate hazardous situation that must be avoided to prevent serious injury or death.

 **Warning**  
Points out a potential hazardous situation that must be avoided to prevent serious injury or death.


 **Caution**  
Points out a potential hazardous situation that must be avoided to prevent possible moderate injury and/or property damage.


 **Note**  
Points out installation, maintenance and operational notes to enhance efficiency, longevity and proper operation of the boiler.


## Important safety instructions

Installation, start-up and servicing of IBC boilers must be performed by competent, qualified, licensed and trained heating technicians.

Failure to read and comply with all instructions and applicable national and local codes may result in hazardous conditions that could result in property damage and injury to occupants, and in extreme cases to death. Keep instructions near the air handling appliance for future reference.

 **Danger**  
Should overheating occur or the gas supply fails to shut off, do not turn off or disconnect the electrical supply to the pump. Instead shut off the gas supply at a location external to the appliance.

 **Danger**  
Do not store or use gasoline or other flammable vapors or liquids in the vicinity of this or any other appliance. If you smell gas vapors, do not try to operate any appliance - do not touch any electrical switch or use any phone in the building. Immediately, call the gas supplier from a phone located remotely. Follow the gas supplier's instructions, or if the supplier is unavailable, contact the fire department.

 **Warning**  
If the boiler is likely to be exposed to fluid temperatures below 34°F (1°C), use a method to prevent freezing of condensate. Contact the factory for further information.



**Warning**

Do not use this boiler if any part has been under water. Immediately call a qualified service technician to inspect the boiler and to replace any part of the control system and any gas control that has been under water.



**Warning**

Improper installation, adjustment, alteration, service or maintenance can cause property damage, personal injury, or loss of life. Read and understand the entire manual before attempting installation, start-up, operation, or service. Installation and service must be performed only by an experienced, skilled installer or service agency.

Failure to follow all instructions in the proper order can cause personal injury or death. Read all instructions, including all those contained in component manufacturers' manuals before installing, starting up, operating, maintaining, or servicing the appliance.



**Warning**

Disconnect power supply before any wiring/service is performed. Failure to do so could result in damage to appliance and/or electric shock.



**Caution**

The boiler must be installed so that electrical components are not exposed to water during operation.

## Known contaminants

### Known Corrosive Contaminants to Avoid

Cements and glues	Refrigerant leaks from cracks in coils
Paint or varnish removers	Sodium chloride or potassium chloride used for water softening
Adhesives used to fasten building products and other similar products	Chemicals in perming solutions
Chlorinated waxes or cleaners	Chlorofluorocarbon chemicals found in spray cans
Chlorine-based swimming pool chemicals	Antistatic dryer sheets in clothes dryers
Hydrochloric acid or muriatic acid used in household cleaning and stain removal	Chlorine-type bleaches, detergents, and cleaning solvents found in household laundry rooms
Calcium chloride used for snow clearing	



---

# Contents

<b>Safety information</b> .....	<b>3</b>
Manual safety markings .....	3
Important safety instructions .....	3
Known contaminants .....	4
<b>Specifications</b> .....	<b>5</b>
Cabinet dimensions .....	6
VX 110 dimensions .....	6
VX 150 dimensions .....	7
VX 199 dimensions .....	8
Connection specifications .....	9
<b>1.0 Introduction</b> .....	<b>11</b>
1.1 Standard features and benefits .....	11
1.2 Warranty .....	12
<b>2.0 Before installation</b> .....	<b>13</b>
<b>3.0 Installation</b> .....	<b>15</b>
3.1 Code requirements .....	15
3.2 Removing an existing boiler .....	15
3.3 Determining location of the appliance .....	16
3.3.1 Best installation conditions .....	17
3.4 Mounting the boiler .....	17
3.5 Connecting the vent and air intake pipes .....	19
3.6 Installation clearances .....	20
3.7 Exhaust venting and air intake .....	20
3.7.1 Venting code .....	21
3.7.2 Venting options .....	21
3.7.3 Exhaust vent material .....	21
3.7.4 Direct vent .....	22
3.7.5 Rooftop vent termination .....	26
3.7.6 Sidewall vent termination .....	28
3.7.7 Indoor air combustion air intake .....	35
3.7.8 Combustion air filtration system .....	36
3.8 Closet installations .....	37

---

3.9 Installing a condensate trap .....	37
3.10 Installing a condensate neutralizer .....	39
3.11 Water Piping .....	41
3.11.1 General piping best practices .....	44
3.11.2 System piping .....	44
3.12 Gas piping .....	51
3.12.1 Gas pressure .....	51
3.13 Electrical connections .....	52
3.13.1 Power management, quality and electrical protection .....	53
3.13.2 120VAC line-voltage hook-up .....	53
3.13.3 Other wiring .....	55
3.13.4 Zone valve hook-up .....	55
3.13.5 Thermostat / sensor wiring .....	56
3.13.6 Thermostat heat anticipator .....	56
<b>4.0 About the boiler controller .....</b>	<b>57</b>
4.1 Controller .....	57
4.2 Control interface .....	58
<b>5.0 Before operating the boiler .....</b>	<b>59</b>
Important pre-ignition checks .....	59
Checklist for electrical conditions, ducting and water connections .....	59
<b>6.0 Boiler operation .....</b>	<b>61</b>
6.1 Lighting and shutting down the boiler .....	61
6.2 Testing the ignition safety shutoff .....	62
6.3 Commissioning .....	62
6.3.1 Checking a boiler's fuel source .....	63
6.3.2 Performing a fuel conversion .....	63
6.3.3 Adjusting the gas valve .....	64
6.3.4 Testing the LWCO function .....	68
6.3.5 Testing the Hi-Limit cutoff temperature function .....	69
<b>7.0 Service and maintenance .....</b>	<b>71</b>
7.1 Maintenance checklist for homeowner .....	71
7.2 Maintenance checklist for heating contractor .....	71
7.2.1 Touchscreen boiler controller .....	72

---

---

7.2.2 General boiler maintenance .....	73
<b>7.3 Replacing the fan, gas valve, and burner .....</b>	<b>77</b>
7.3.1 Replacing the fan .....	79
7.3.2 Replacing the gas valve .....	80
7.3.3 Replacing the burner .....	81
7.4 Cleaning the sight glass .....	83
7.5 Cleaning the condensate trap .....	83
<b>8.0 Troubleshooting .....</b>	<b>87</b>
8.1 Electronic components .....	87
8.1.1 Temperature sensors .....	87
8.1.2 Fan .....	88
8.1.3 Water pressure sensor .....	88
8.1.4 Safety and Ignition Module (SIM+) .....	89
8.2 Troubleshooting error messages .....	91
8.2.1 Maximum ignition trials error .....	91
8.2.2 Hi Limit cut-off temperature error .....	92
8.2.3 Low Water Cut-off error .....	92
8.2.4 Aux. Interlock 1 or 2 .....	92
8.3 Miscellaneous touchscreen controller errors .....	93
8.3.1 Ignition issues .....	94
8.3.2 Temperature issues .....	95
8.3.3 Miscellaneous issues .....	96
8.3.4 Cycling issues .....	97
<b>Appendices .....</b>	<b>99</b>
Wiring diagrams .....	99
Boiler part diagrams - VX 110, VX 150, VX 199 .....	102
Installation & Commissioning Report .....	106

Intentionally left empty

# Specifications

Specification	VX 110	VX 150	VX 199
CSA Input (Natural Gas or Propane) - MBH	16.9-110	23-150	30.6-199
CSA Input (Natural Gas or Propane) - kW	5-32.2	6.7-44	8.8-58.3
CSA Output - MBH	16.2-101.5	22-138.5	29.2-183.7
CSA Output - kW	4.74-29.8	6.5-40.6	8.6-53.8
AFUE (to be confirmed)	95%	95%	95%
Minimum gas supply pressure (natural gas or propane) - inch w.c.	4	4	4
Maximum gas supply pressure (natural gas or propane) - inch w.c.	14	14	14
Ambient temperature: Low °F / °C / High °F / °C	32°F / 0°C 122°F / 50°C	32°F / 0°C 122°F / 50°C	32°F / 0°C 122°F / 50°C
Max. relative humidity (non-condensing)	90%	90%	90%
Minimum water temp. °F / °C	34 / 1	34 / 1	34 / 1
Maximum water temp. (electronic hi-limit) °F / °C	190 / 88	190 / 88	190 / 88
Max. ΔT - supply/return (electronic fence) °F / °C	40 / 22.2	40 / 22.2	40 / 22.2
Max. water temperature lockout limit °F / °C	201 / 94	201 / 94	201 / 94
Power use (120Vac/60Hz) @ full fire - Watts (without pumps)	90	79	90
Weight (empty) - lbs/Kg	67 / 30.4	78 / 35.4	88 / 39.9
Pressure vessel water content - USG/Liters	1.88 / 7.12	2.79 / 10.56	3.51 / 13.29
Maximum boiler flow rate - USgpm	14	19	25
Minimum boiler flow rate - USgpm	2	3	4
Maximum operating water pressure* - psig	50	50	50
Minimum water pressure - psig	8	8	8
Relief valve pressure (supplied) - psig	30	30	30

Specification	VX 110	VX 150	VX 199
Approved installation altitude - ASL	0 - 12,000'	0 - 12,000'	0 - 12,000'
2"	100'	50'	N/A
3"	240'	170'	100'

Maximum equivalent vent length each side (vent & air intake) (natural gas or propane) Air intake options: either direct vent or indoor supply

## Cabinet dimensions

### VX 110 dimensions

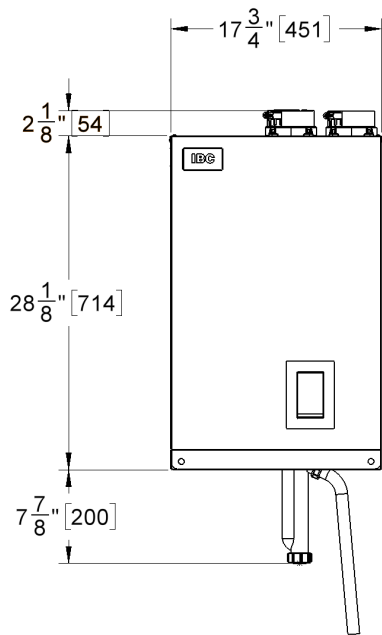


Figure 1 Frontal view - VX 110

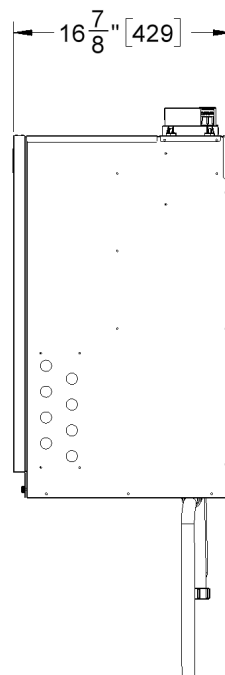


Figure 2 Side view - VX 110

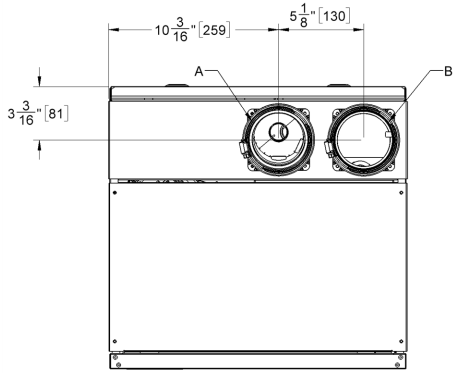


Figure 3 Top view - VX 110

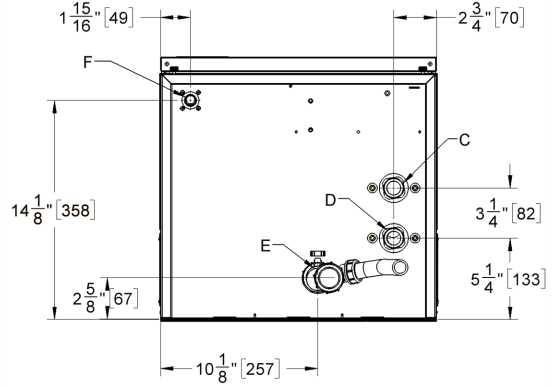


Figure 4 Bottom view - VX 110

## VX 150 dimensions

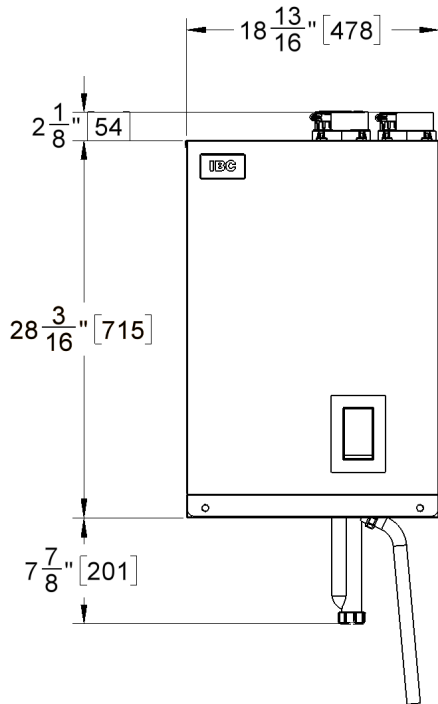


Figure 5 Frontal view - VX 150

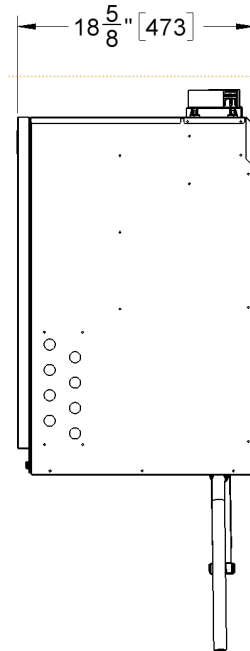


Figure 6 Side view - VX 150

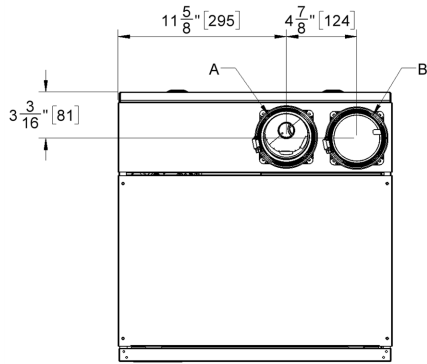


Figure 7 Top view - VX 150

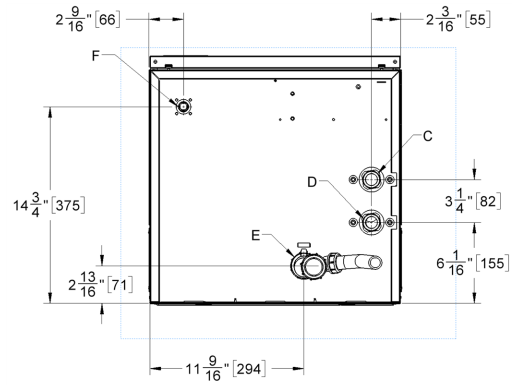


Figure 8 Bottom view - VX 150

### VX 199 dimensions

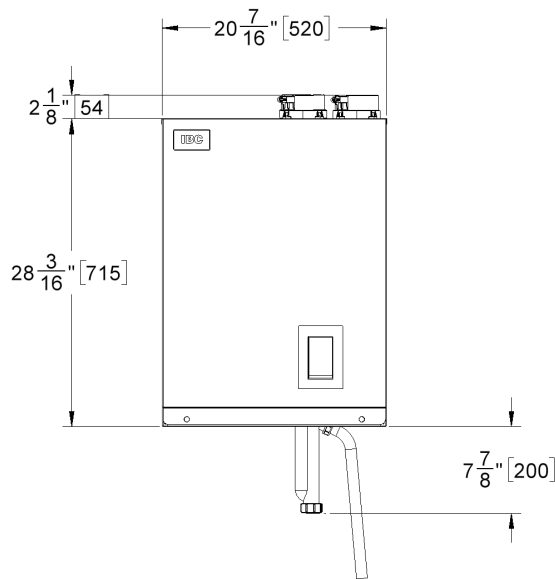


Figure 9 Frontal view - VX 199

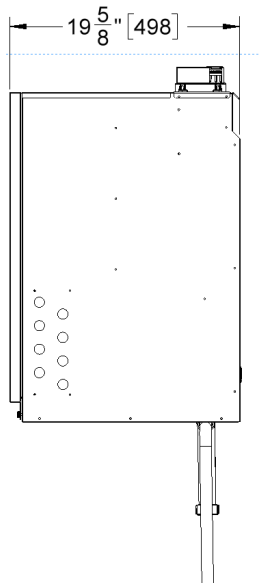


Figure 10 Side view - VX 199



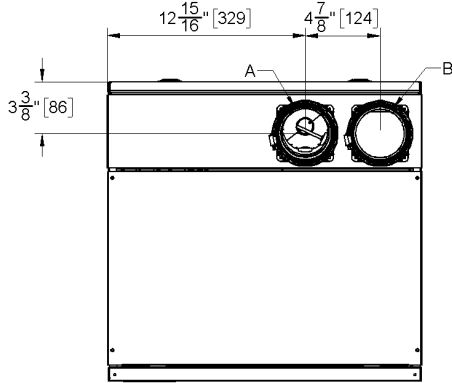


Figure 11 Top view - VX 199

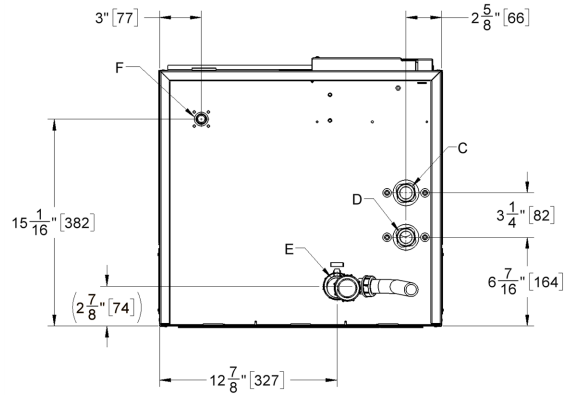


Figure 12 Bottom view - VX 199

## Connection specifications

The following table displays the required connection specifications.

	Description	VX 110	VX 150	VX 199
A	Flue Outlet		3" Schedule 40 or 3" PPs (80 mm)	
B	Combustion Air Inlet		3" Schedule 40 or 3" PPs (80 mm)	
C	Return water inlet		1" NPT-M	
D	Supply Water outlet (hot water)		1" NPT-M	
E	Condensate Outlet		3/4" Hose	
F	Gas Inlet		1/2" NPT-F	

Table 1 Connections

Intentionally left empty

## 1.0 Introduction

---

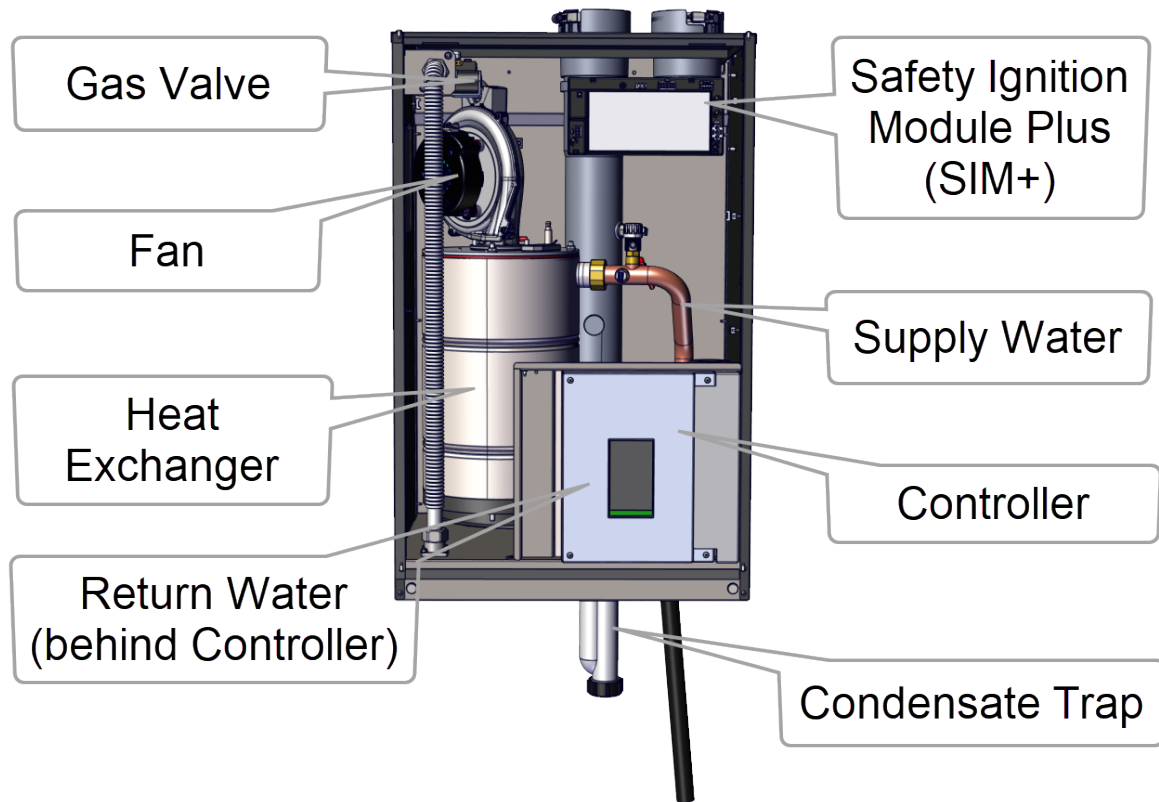


Figure 13 View from the front

### 1.1 Standard features and benefits

- » High thermal efficiency
- » Compact
- » Turn-down ratio 6.5 to 1
- » Cascade up to 4 appliances
- » 4 load pump management
- » 1 boiler pump management
- » Easy-to-use touchscreen

## 1.2 Warranty

For residential applications, IBC offers a 5-year warranty on all parts against defects in materials or workmanship and failures due to thermal shock.

IBC offers a heat exchanger 15-year limited warranty with registration, according to the following terms:

- » 0-10 years (100% coverage)
- » 11-15 years (25% coverage).

IBC offers a limited heat exchanger warranty with no registration of 0-5 years (100% coverage).

For commercial applications, IBC offers a 5-year warranty on the heat exchanger and a 2-year warranty on all parts against defects in materials or workmanship and failures due to thermal shock.

To view the full warranty statement for the VX series, go to [ibcboiler.com](http://ibcboiler.com).

## 2.0 Before installation

Before installing the appliance, it is important to review and observe the following checklist of precautions:

Precautions	Check
Care must be taken to properly size the boiler for its intended use.	<input type="checkbox"/>
Prolonged full fire run time, over-sizing or under-sizing, and incorrect flow rates through the appliance can lead to increased maintenance costs, equipment stress and premature failure.	
<p>Ensure you install the appliance where the combustion air source is not subject to chemical fouling or agricultural vapors.</p> <p>Exposure to corrosive chemical fumes such as chlorinated and/or fluorinated hydrocarbons can reduce the life of a boiler. Cleaners, bleaches, air fresheners, refrigerants, aerosol propellants, dry-cleaning fluids, de-greasers and paint-removers all contain vapors that can form corrosive acid compounds when burned in a gas flame. Airborne chlorides such as those released with the use of laundry detergents are also to be avoided.</p>	<input type="checkbox"/>
Locate the appliance where water leakage will not result in damage to the area.	<input type="checkbox"/>
If there is no suitable location, install a suitable drain pan under the boiler. Do not install above carpeting.	
<p>At a new construction site, or during renovations, protect the appliance from drywall dust or other construction related contaminants.</p> <p>Draw combustion air from a <b>clean</b> source (e.g., outdoors) and isolate the boiler from interior dust sources. Do not seal boiler case openings directly when firing - allow for air circulation and ventilation in the immediate area.</p>	<input type="checkbox"/>
Place the exhaust outlet 12" minimum above the down-turned intake to avoid exhaust re-ingestion.	<input type="checkbox"/>
<p>For sidewall venting options, place the inlet and exhaust terminations on the same side of the building.</p> <p>The elevation of both pipes can be raised in "periscope style" after passing through the wall to gain required clearance above grade and snow level.</p>	<input type="checkbox"/>
If using the indoor combustion air option, ensure combustion air openings to the boiler room remain unblocked and free of obstructions.	<input type="checkbox"/>
Examine the condensate outlet to ensure proper disposal of condensate will occur during operation. If condensates are to be discharged into building drain piping materials that are subject to corrosion, a neutralization package must be used.	<input type="checkbox"/>

Precautions	Check
Ensure that the pressure relief valve is installed with no valves or other means of isolation between its inlet and the boiler.	<input type="checkbox"/>
Make sure the relief valve outlet is piped with unobstructed piping (minimum ¾" diameter) to a safe discharge location.	
If the appliance is likely to be exposed to fluid temperatures below 34° F (1° C), a method of protection to prevent freezing of condensate should be employed. Contact the factory for further information.	<input type="checkbox"/>
<p>When the appliance is in operation, assess the impact of the steam plume normally at the exhaust terminal of a condensing boiler.</p> <p>Generally, intake and exhaust pipes should terminate at a rooftop or sterile wall location. Boiler condensate is corrosive. Protective measures must be taken to prevent corrosion damage to metal roofs or other metal building components in contact with the condensate. Keep exhaust plumes well away from all building air intakes including those of neighboring properties.</p>	<input type="checkbox"/>

**Caution**

Care must be taken to properly size the boiler for its intended use. Prolonged full fire run time, over-sizing or under-sizing, and incorrect flow rates through the boiler can lead to increased maintenance costs, equipment stress and premature failure.

## 3.0 Installation

---

Refer to the Specifications section for dimensional drawings and connection specifications. Use these drawings to find a suitable location for the appliance.

### 3.1 Code requirements

The appliances are tested and certified under CSA 4.9-2017 / ANSI Z21.13-2017. Below are the code requirements for every installation.

Canada	US
Conform to local codes, or in the absence of these, with the latest editions of CAN/CGA B149.1 and the Canadian Electrical Code Part 1 CSA C22.2 No. 1.	Conform to the current National Fuel Gas Code ANSI Z223.1 and the National Electrical Code ANSI/NFPA 70.
Where required by jurisdiction, installation must conform to the Standard for Controls and Safety Devices for Automatically Fired Boilers, ANSI/ASME CSD-1.	Where required by jurisdiction, installation must conform to the Standard for Controls and Safety Devices for Automatically Fired Boilers, ANSI/ASME CSD-1.
If there is any conflict, follow the more stringent regulations.	If there is any conflict, follow the more stringent regulations.

*Table 2 Code requirements by country*

### 3.2 Removing an existing boiler

When an existing boiler is removed from a common venting system, the common venting system may be too large for proper venting of the appliances that remain connected to it. When resizing any portion of the common venting system, use the minimum size according to the appropriate tables in the National Fuel Gas Code, ANSI Z223.1 - latest edition. In Canada, follow the B149.1 Installation Code.

When removing an existing boiler, the following checks must be carried out for each of the appliances still connected to the common exhaust system, by operating them one at a time:

- » Seal any unused opening in the common venting system.
- » Visually inspect the venting system for proper size and horizontal pitch. Determine that there is no blockage or restriction, leakage, corrosion and other deficiencies that could cause an unsafe condition.
- » (Where practical) Close all building doors and windows such as doors adjacent to appliances remaining connected to the common venting system and other spaces of the

building.

- » Turn on clothes dryers and any appliance not connected to the common venting system.
- » Turn on any exhaust fans, such as range hoods and bathroom exhausts, so they will operate at maximum speed. Do not operate a summer exhaust fan.
- » Close fireplace dampers.
- » Place in operation the appliance being inspected.
  - » Follow the lighting instructions.
  - » Adjust the thermostat so that the appliance operates continuously.
- » After determining that each appliance remaining connected to the common venting system properly vents when tested as outlined above, return doors, windows, exhaust fans, fireplace dampers and any other gas-burning appliance to their previous condition.
- » Any improper operation of the common venting system should be corrected, so the installation conforms with the National Fuel Gas Code, ANSI Z223.1 - latest edition. In Canada, all installations must conform with the current CAN/CGA - B149.1-10 Installation Code and/or local codes.

### 3.3 Determining location of the appliance

The boilers are designed and approved for indoor installation (wall or rack mounting) in areas such as an alcove, basement, or utility room. These areas should have a surrounding temperature of 32 °F (0°C) to 122 °F (50 °C) and less than 90% relative humidity.



#### Danger

Do not common vent appliances with other existing appliances or with a new appliance.



#### Warnings

- » Keep the area around a boiler clear of combustible materials, gasoline, and other flammable vapors and liquids.
- » Ensure combustion air is not drawn from areas containing corrosive air such as swimming pools or spas, including air directly next to outdoor pools and spas.
- » Ensure that a boiler is not exposed to water leaks from piping or components located overhead, including condensation from uninsulated cold water lines overhead.
- » Protect the gas ignition system components from water (dripping, spraying, rain, etc.) during appliance operation and when servicing (pump replacement, condensate trap servicing, control replacement, etc.).
- » Ensure that combustible materials do not make contact with exposed water piping and associated components (relief valves, circulators, etc.). Check local codes for required clearances and/or provide adequate insulation.



### 3.3.1 Best installation conditions

Below are some factors to consider for best installation conditions:

- » Install the boiler in areas where the combustion air source is not subject to chemical fouling or agricultural vapors. Exposure to corrosive chemical fumes such as chlorinated and/or fluorinated hydrocarbons can reduce the life of a boiler. See list of [Known contaminants on page 4](#). For this reason, do not use the indoor air venting option (using air surrounding the boiler) in a laundry room. Similarly, ensure any direct vent air source is not near a clothes dryer exhaust terminal. Avoid agricultural applications where the boiler and/or the intake air source are affected by ammonia and/or dust.
- » Avoid installing a boiler where water leakage will cause damage; for example, above carpeting. If unavoidable, install a suitable drain pan under the appliance.
- » **Vent location** - An important consideration is managing the impact of the steam plume normally at the exhaust terminal of a condensing boiler. Generally, intake and exhaust pipes should terminate at a rooftop or sterile wall location to maximize customer satisfaction. Keep exhaust plumes well away from all building air intakes including those of neighboring properties. Refer to [Table 5](#) and [Figure 19](#) in [Sidewall vent termination on page 28](#).
- » The minimum clearance requirements for combustible materials (see [Table 3](#)).
- » For adequate servicing, we recommend a minimum 24" clearance at the front and 6" above the boiler. Check local codes for additional access and service clearance requirements.
- » At a new construction site, or when renovating:
  - » Protect the boiler from drywall dust or other construction related contaminants.
  - » Ensure combustion air is drawn from a **clean** source (e.g., outdoors).
  - » Isolate the boiler from interior dust sources.

### 3.4 Mounting the boiler

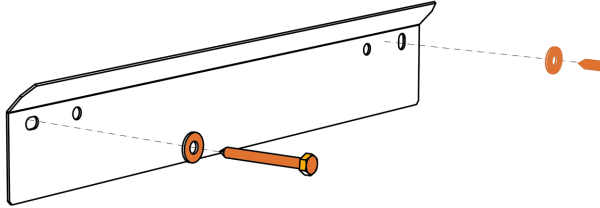
You must attach fasteners to solid material capable of supporting the combined weight of the boiler and piping assembly components. Boiler weight – without water, system piping and components – is approximately 150 lbs / 68 kg.



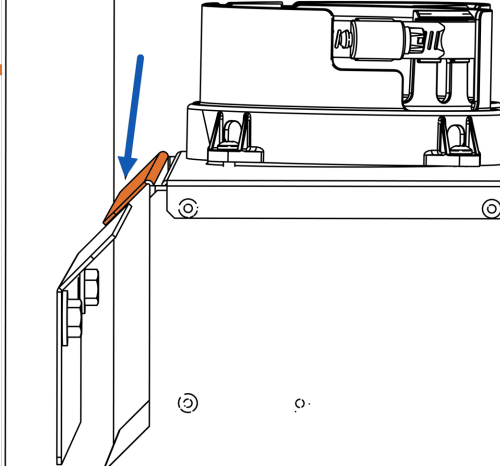
#### Warning

**Do not mount the appliance to hollow wall structures** - The combined weight of the boiler, its water content and associated piping components can exceed 150 pounds. Fasteners must be rated for this strain, and must be firmly anchored into solid material that will support this weight. Installers must take necessary precautions to avoid injury during the installation of this boiler.

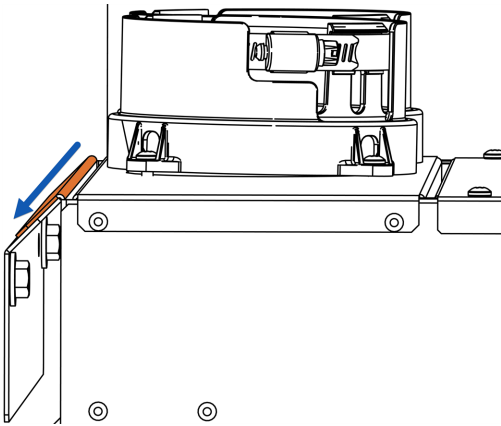
- 1.** Attach the support bracket (supplied) to the wall studs using the two  $\frac{1}{4}$ " x  $2\frac{1}{2}$ " long lag screws with flat washers.



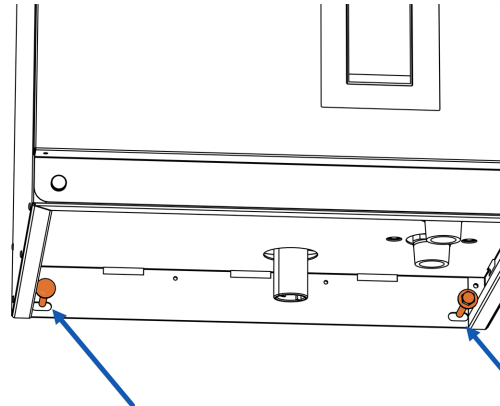
- 2.** Hook the boiler tab (located on back of boiler) over the support bracket flange.



- 3.** Ensure that the boiler tab is flush against the mounting bracket flange.



- 4.** Secure the lower part of the boiler to the wall with two field-supplied  $\frac{1}{4}$ " bolts.



## 3.5 Connecting the vent and air intake pipes

The appliance offers 3" connections that accept standard 3" PVC/CPVC and PPs pipe. Use available pipe-reducer fittings (not bushings) to adapt to smaller diameter pipe. Insert pipe directly into the 3" female fitting, and secure with the built-in clamp (see image below). For PPs, no transition adapter is required. The vent connection has a second gasket approximately 2.5" beyond the first 3" PVC/CPVC sized gasket that will seal to standard 80 mm PPs pipe. Care should be taken to ensure that PPs pipe is installed so that it extends past this second gasket.

For PPs material exposed to outdoor conditions, follow the venting supplier's recommendations on UV protection.

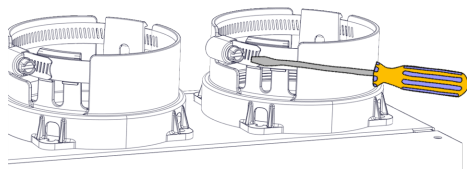


Figure 14 Securing a pipe connection

Combustion air piping - if used - is inserted directly into the 3" connector on the right side. PPs pipe should be inserted firmly into the connector until it cannot go further. The pipe must be secured with the built-in clamp.



### Warning

Ensure that you lubricate the gasket with silicone grease before inserting the venting material. Fully insert the approved venting material into the boiler's exhaust outlet, and tighten clamp to ensure the venting connection is locked in place (as shown above).

Venting must be supported in accordance with the applicable code and instructions supplied by the manufacturers.



### Warning

Do not mix PPs venting materials from different manufacturers. These venting materials are designed to be installed as part of a complete system. Failure to comply may result in severe personal injury or death.

### 3.6 Installation clearances



#### Warning

Exposed water piping and associated components (relief valves, circulators, etc.), should not be in contact with combustible materials. Check local codes for required clearances and / or provide adequate insulation.

VX 110, VX 150, VX 199		
Surface	Minimum distance from combustible surfaces	Recommended clearance for installation and service
Front	2"	24"
Rear flue connection	0"	0"
Left side	0"	4" (allow access to water connections)
Right side	1"	4" (allow access to water connections)
Top	2"	6" (for vent connections)
Bottom	0" (clearance for pipes)	12" (for condensate trap and piping)

**Table 3** Clearance distances for boiler mounting sites

A minimum distance below the boiler of 12" is required to provide clearance for the supplied condensation trap assembly. More clearance will typically be required to accommodate associated water and gas piping.

### 3.7 Exhaust venting and air intake



#### Warning

Venting, condensate drainage, and combustion air systems for all IBC boilers must be installed in compliance with all applicable codes and with instructions provided in the respective installation manuals.

Inspect finished vent and air piping thoroughly to ensure all are airtight, and comply with the instructions provided as well as with the requirements of applicable codes. Failure to comply will result in severe personal injury or death.

These approved “Category IV” vented appliances offer flexible installations via direct vent (sealed combustion) or indoor combustion air.

When planning a boiler's installation, consider the appropriate vent materials, travel and termination.

### 3.7.1 Venting code

All venting must be installed in accordance with the requirements of the jurisdiction having authority: in Canada, Part 8, Venting Systems of the B149.1-10 Code and any other local building codes are to be followed. In the USA, the National Fuel Gas Code, ANSI 223.1, latest edition, prevails. Where there is a discrepancy between the installation instructions provided, and the code requirements, apply the more stringent.

### 3.7.2 Venting options

These appliances are approved with alternative venting options: either 2-pipe direct vent or vent pipe with indoor air. With direct vent, combustion air is piped directly to the boiler's air intake from outdoors. Using the indoor air alternative, air for combustion is drawn from the indoor air surrounding the boiler.

Provided the maximum overall vent length limit is not exceeded, the boiler may be vented through the wall, directly through the roof, or upward using an existing, but otherwise unused, chimney as a vent raceway.

### 3.7.3 Exhaust vent material



#### Warnings

- » Condensate can cause corrosion of metal roofing components and other roofing materials. Check with the builder or roofing contractor to ensure that materials are resistant to acidic condensate. pH levels can be as low as 3.0.
- » Covering non-metallic vent pipe and fittings with thermal insulation is prohibited.

#### Exhaust vent material – Canada

Use PVC, CPVC, Polypropylene (PPs), or Stainless Steel (SS) vent component systems approved under ULC-S636 Standard for Type BH Gas Venting Systems, or stainless steel Type BH venting systems\*. ULC-S636 components are certified as systems including pipe, fittings and cement/primer for PVC/CPVC and must be installed in strict accordance with manufacturers instructions. The vent temperature is limited by the boiler controller with the use of a flue temperature sensor to ensure the maximum temperature of the PVC venting material is not exceeded.

## Exhaust vent material – U.S.A

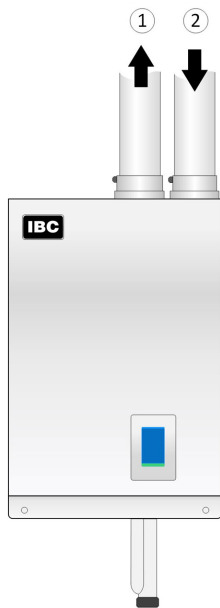
PVC, CPVC, PPs, or SS venting materials are approved for use with these boilers in most of the USA. Check local codes to determine if any materials are prohibited. The vent temperature is limited with the use of the flue temperature sensor and software to ensure that the maximum temperature of the PVC venting material is not exceeded. PVC venting material shall be certified to Sch. 40 ASTM D1785 or D2665. CPVC material shall be certified to Sch. 40/ASTM F441.

## Exhaust vent material - general

Use of cellular core PVC (ASTM F891), cellular core CPVC, or Radel® (polyphenolsulfone) in venting systems is prohibited. Do not use ABS or any cellular core pipe for exhaust venting.

### 3.7.4 Direct vent

Direct vent is a two-pipe system that draws combustion air (air intake) from outdoors, and discharges exhaust gases to the outdoors. Ensure that adequate separation is maintained between the air intake inlet and the exhaust vent terminal. Refer to the vent terminal configuration drawings in the "Vent Termination" sections.



- ① Flue gas exhaust to outdoors
- ② Combustion air from outdoors. "Direct Vent" installation: check air intake outside is clear of obstructions.

Figure 15 Direct vent

## Air intake installation

At a new construction site, or during renovations, action must be taken to protect the boiler from drywall dust or other construction related contaminants; combustion air should be drawn from a **clean** source (e.g. outdoors) and the boiler should be isolated from interior dust sources. Do not seal boiler case openings directly when firing (See [Known contaminants on page 4](#)).



### Warnings

- » In addition to preventing ingestion of chemical contaminants, ensure air intake terminals are not installed in locations where contamination might occur due to ingestion of particulate foreign material (dust, dirt and debris).
- » Configure intake air openings, so that rain or other forms of moisture cannot enter the air intake piping system. Otherwise serious damage to the boiler may result.

### Notes

- » When installing air intake piping, ensure that a "trap" is not formed in the piping causing a build-up of water and blockage of intake air. Such blockages will cause a boiler safety shut-down.
- » Filters require checking and cleaning or replacing on a regular schedule based on the severity of the problem.

## Exhaust venting installation

Exhaust venting must slope down towards the boiler with a pitch of at least ¼" per foot (PP vent: follow PP manufacturer requirements for slope), so condensate runs back towards the trap.

Exhaust piping is inserted directly into the left connector on the top of the boiler, then runs horizontally or vertically to the outdoors. Screen material can be placed at the outlet as appropriate for the environment (e.g., insects, dust).

- » Check that material meets local codes including fire stopping requirements. Some local jurisdictions require a minimum initial length of pipe be exposed or accessible for inspection. Pipe clearances - no IBC requirements; follow local codes. All piping must be liquid and pressure tight.
- » Ensure all venting components are clear of burrs/debris prior to assembly. Clear plastic debris left in the combustion air piping to avoid intake into the fan.

- » Secure joints using appropriate solvent cement to bond the respective pipe material (Canada: CPVC cement approved under ULC-S636, in accordance with its manufacturer instructions; USA: PVC (ASTM D2564), or PVC/ABS (D2235) - Use transition glue anywhere that PVC and CPVC are joined. Follow the cement manufacturer's instructions closely when joining various components. For PPs, connections shall be secured using approved retainer clips supplied by the respective PPs manufacturer.
- » Check that vent connections are liquid and pressure tight. Prior to firing the boiler, and before any of the venting run is concealed by the building construction, test the exhaust joints under fan pressure with the vent blocked, using a soap and water solution. The installer must fill the condensate trap prior to testing.
- » Coat all joints with an approved leak test solution just as you would joints in a gas line, and make sure there are no leaks. We suggest attaching a tag on the vent line near the condensate drain tee with the type of test, the date and the installer's name.
- » **Re: venting passage through ceiling and floor:**
  - » Confirm material meets local codes including fire stopping requirements.
  - » Check the local jurisdiction on the minimum initial length of pipe that should be exposed or accessible for inspection.
  - » Follow the local codes for pipe clearances - no IBC requirements.
  - » Ensure that piping is liquid and pressure tight.

### 3.7.4.1 Air intake and exhaust vent length allowance



#### Warning

Follow all installation instructions supplied by the piping and fitting manufacturer.

Ensure that adequate separation is maintained between the air intake inlet and the exhaust vent terminal. The pipe length and allowance for pipe fittings, terminations and flexible pipe used for calculating total equivalent length are shown in the following table:

Intake/Exhaust	VX 110	VX 150	VX 199
2-inch rigid pipe	100 ft (max.)	50 ft (max.)	Not permitted
3-inch rigid pipe	240 ft (max.)	170 ft (max.)	150 ft (max.)
90° elbow	Allow 8 feet for each 90° elbow		
90° long sweep elbow	Allow 5 feet for each 90° elbow		
45° elbow	Allow 3 feet for each 45° elbow		
PPs 87-90° elbow	Allow 8 feet for each 87-90° elbow		



Intake/Exhaust	VX 110	VX 150	VX 199
2-inch Stainless Sidewall Terminal (P-256)	No allowance required	Not permitted	Not permitted
3-inch Stainless Sidewall Terminal - exhaust vent (P-257)	Allow 20 feet		
3-inch Stainless Sidewall Terminal - air intake (P-257)	No allowance required		
<b>Flexible PPs 3-inch Flexible pipe</b>	Limited to 45 feet (maximum)	Limited to 45 feet (maximum)	Limited to 30 feet (maximum)
	Allow 1.2 x actual length (e.g., 10 feet of 3-inch flexible pipe x 1.2 = 12 feet of rigid pipe)	Allow 2 x actual length (e.g., 10 feet of 3-inch flexible pipe x 2 = 20 feet of rigid pipe)	Allow 3.3 x actual length (e.g., 10 feet of 3-inch flexible pipe x 3.3 = 33 feet of rigid pipe)

**Table 4** Maximum air intake pipe and maximum exhaust vent length

#### Notes

Unused intake travel cannot be added to the exhaust. Unequal intake and exhaust piping is allowed.

Support should be provided for intake and vent piping, particularly for horizontal runs (follow local code).

#### Example of equivalent length calculations for a VX 110:

A VX 110 can be sited up to 100 feet (actual vent length allowance) from the vent termination using 2-inch pipe, or up to 240 feet using 3-inch pipe.

For 6 x 90° elbows, the maximum lineal (straight) length of pipe allowed using 2-inch pipe is 52 feet ( $100' - (6 \times 8' = 48) = 52'$ ). The same boiler using 3-inch pipe can have up to 192 feet ( $240' - (6 \times 8' = 48) = 192'$ ).

For 3-inch flexible PPS pipe, up to 45 linear feet is allowed in vertical orientation ( $> 45^\circ$ ). The equivalent length of 3-inch flexible PPS pipe should be calculated using a multiple of 1.2 (e.g.,  $45' \times 1.2 = 54'$ ).

### 3.7.5 Rooftop vent termination



#### Warning

Condensate can cause corrosion of metal roofing components and other roofing materials. Check with the builder or roofing contractor to ensure that materials are resistant to acidic condensate. pH levels can be as low as 3.0.

- a. Rooftop vents must terminate as follows:
  - » The exhaust pipe can terminate in an open vertical orientation without concern about rain infiltration; rain will drain away through the condensate trap.
  - » Optional bird screen may be placed in a termination fitting. Leave unglued, and hold in place with a short nipple. This permits easy access for cleaning.
  - » **Do not** exhaust vent into a common venting system.
- b. For rooftop direct vent systems:
  - » Rooftop, two pipe, direct vent configurations, including typical clearance requirements are shown below in the following images.

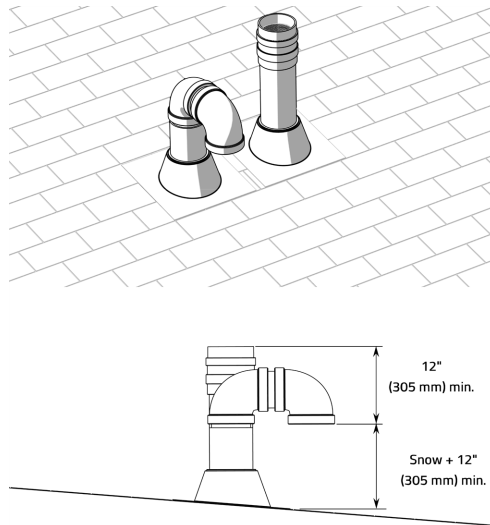


Figure 16 Rooftop vent terminal configurations

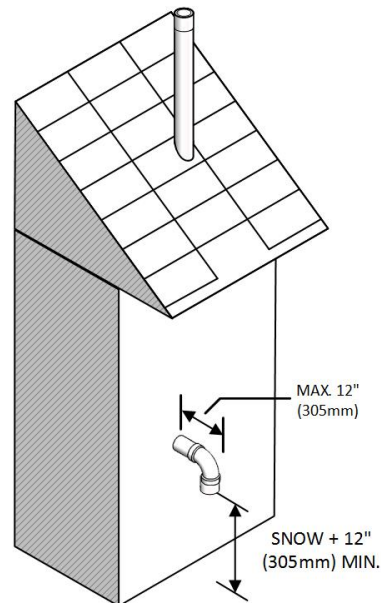
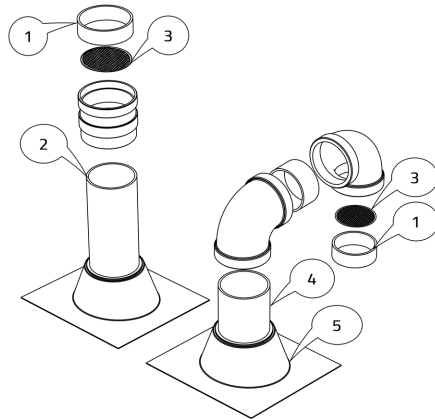


Figure 17 Rooftop vent termination with sidewall combustion air



- |   |                      |
|---|----------------------|
| ① | Vent screen retainer |
| ② | Exhaust              |
| ③ | Vent screen          |
| ④ | Inlet                |
| ⑤ | Flashing             |

**Figure 18** Rooftop vent terminal vent screen and retainer

- » The intake air pipe is not typically drained, so it must be terminated with a down-turned elbow as shown.
- » The intake pipe does not need to penetrate the roof at the same elevation as the exhaust (as shown); lower down on the roof is acceptable.

**Best Practice:** To reduce the possibility of expansion noise, allow a ¼" gap around the exhaust and air intake piping.

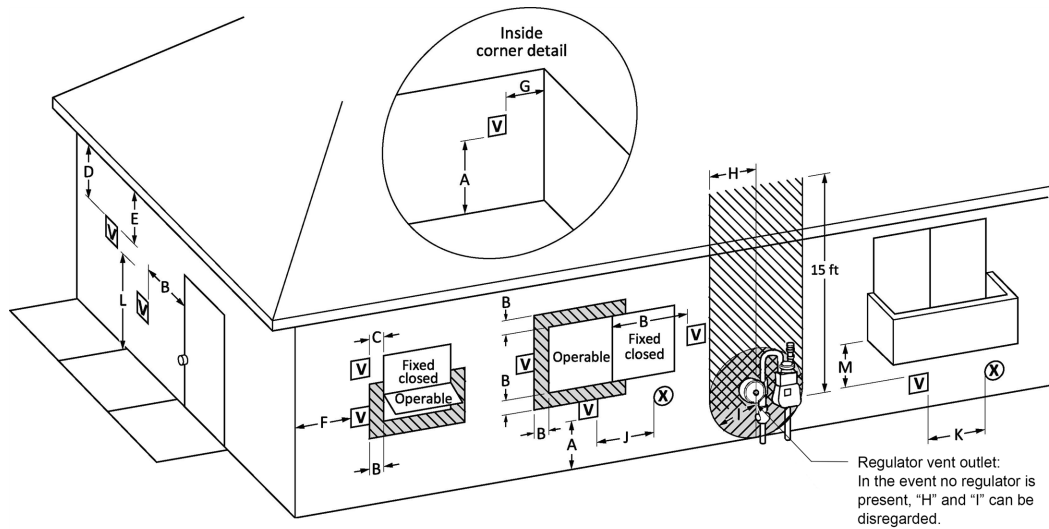
- » For roof top venting of multiple boiler sets, group all intake terminals together for a common penetration through a custom cap. Alternatively, place close together using commonly available pipe flashing. Similarly, group the exhaust pipes and place the two separate groups of pipes at least 3' apart (the closest intake and exhaust pipes must be 36", or more, apart). Use the same 12" (minimum) vertical separation for all termination options. For alternate group terminations, contact the IBC factory for written guidance.

- » Roof top concentric termination kits are approved for use with the boiler model. Installation of the vertical roof top termination must follow the installation instructions supplied with the venting material manufacturer. Care must be taken to install the termination kit a minimum horizontal distance of 10' (305 cm) away from any portion of the building and a minimum of 2 feet (61 cm) above the roof line plus the anticipated snow line.

### 3.7.6 Sidewall vent termination

**Caution**

Vent termination clearances in this section are code minimum, or IBC-recommended minimum requirements, and may be inadequate for your installation. Building envelope details must be examined carefully. Take action to avoid moisture entering building structures. Serious structural damage may occur if adequate precautions and clearances are not considered. These precautions apply to neighboring structures as well as to the structure the boiler(s) are installed in.



- V Vent terminal
- X Air supply inlet
- Area where terminal is not permitted

Figure 19 Minimum clearances from vent/air inlet terminations (see legend on adjacent page)

	Description	US Installations <sup>1, 2</sup>	Canadian Installations <sup>2, 3</sup>
A	Clearance above grade, veranda, porch, deck, or balcony	12 in (30 cm)	12 in (30 cm)
B	Clearance to window or door that may be opened	6 in (15 cm) for appliances ≤ 10,000 Btuh (3 kW), 12 in (30 cm) for appliances > 10,000 Btuh (3 kW) and ≤ 100,000 Btuh (30 kW), 36 in (91 cm) for appliances > 100,000 Btuh (30 kW)	6 in (15 cm) for appliances ≤ 10,000 Btuh (3 kW), 9 in (23 cm) for appliances > 10,000 Btuh (3 kW) and ≤ 50,000 Btuh (15 kW), 12 in (30 cm) for appliances > 50,000 Btuh (15 kW)
C	Clearance to permanently closed window	*	*
D	Vertical clearance to ventilated soffit located above the terminal within a horizontal distance of 2ft (61 cm) from the center line of the terminal	*	*
E	Clearance to unventilated soffit	*	*
F	Clearance to outside corner	*	*
G	Clearance to inside corner	*	*
H	Clearance to each side of center line extended above meter/regulator assembly	3 ft (91 cm) within a height 15 ft above the meter/ regulator assembly	*
I	Clearance to service regulator vent outlet	Above a regulator within 3 ft (91 cm) horizontally of the vertical center line of the regulator vent outlet to a maximum vertical distance of 15 ft (4.5 m)	*

<sup>1</sup>In accordance with the current CAN/CSA-B149 Installation Codes.

<sup>2</sup>If locally adopted installation codes specify clearances different than those illustrated, then the most stringent shall apply.

<sup>3</sup>In accordance with the current ANSI Z223.1 / NFPA 54 National Fuel Gas Code.

\*Clearances in accordance with local installation codes and the requirements of the gas supplier. The minimum distance from adjacent public walkways, adjacent buildings, openable windows, and building openings shall not be less than those values specified in the National Fuel Gas Code, ANSI Z223.1/NFPA 54, and/or the Natural Gas and Propane Installation Code, CSA 8149.1.

	Description	US Installations <sup>1, 2</sup>	Canadian Installations <sup>2, 3</sup>
J	Clearance to non-mechanical air supply inlet to building or the combustion air inlet to any other appliance	6 in (15 cm) for appliances ≤ 10,000 Btuh (3 kW), 12 in (30 cm) for appliances > 10,000 Btuh (3 kW) and ≤ 100,000 Btuh (30 kW), 36 in (91 cm) for appliances >100,000 Btuh (30 kW)	6 in (15 cm) for appliances ≤ 10,000 Btuh (3 kW), 9 in (23 cm) for appliances > 10,000 Btuh (3 kW) and ≤ 50,000 Btuh (15 kW), 12 in (30 cm) for appliances > 50,000 Btuh (15 kW)
K	Clearance to mechanical air supply inlet	6 ft (1.83 m)	3 ft (91 cm) above if within 10 ft (3 m) horizontally
L	Do not terminate above paved sidewalk or paved driveway	7 ft (2.13 m) <sup>4</sup>	Vents cannot be located above public walkways or other areas where condensate or vapor can cause a nuisance or hazard*
M	Clearance under veranda, porch, deck or balcony	12 in (30 cm) <sup>5</sup>	*

**Table 5** Vent/air inlet termination clearances



### Warning

**Important!:** Maintain at least the minimum separation of exhaust vent termination from boiler intake air as illustrated in [Figure 20](#), [Figure 21](#), [Figure 22](#) and [Figure 23](#). Failure to do so can result in a dangerous situation where exhaust gasses are re-ingested with combustion air. Damage to the boiler can result from a failure to maintain these separations. Third party vent termination kits and concentric wall penetration kits that do not maintain these minimum separations must **not** be used. Improper installation will void the warranty. Do not use proprietary InnoFlue or PolyPro PPs terminals without specific approval from IBC.

<sup>1</sup>In accordance with the current CAN/CSA-B149 Installation Codes.

<sup>2</sup>If locally adopted installation codes specify clearances different than those illustrated, then the most stringent shall apply.

<sup>3</sup>In accordance with the current ANSI Z223.1 / NFPA 54 National Fuel Gas Code.

<sup>4</sup> A vent shall not terminate directly above a sidewalk or paved driveway that is located between two single family dwellings and serves both dwellings.

<sup>5</sup> Permitted only if veranda, porch, deck, or balcony is fully open on a minimum of two sides beneath the floor.

Sidewall direct vent with separate vent and air pipes must be terminated as follows:

- » Locate the intake air and exhaust vent terminations on the same plane (side) of the building.
- » Place the exhaust vent termination, so that it reaches 12" minimum above the down-turned intake to avoid exhaust re-ingestion.
- » (Optionally) Raise the elevation of both terminations in "periscope style" after passing through the wall, then to gain the required clearance configure as shown in [Figure 20](#) , [Figure 21](#) , and [Figure 22](#) .
- » Use a 45° elbow on the exhaust termination to launch the plume up and off the sidewall (for protection of wall). A short piece of venting cut at 45° gives a horizontal termination protected from wind loads (see [Figure 20](#) , [Figure 21](#) , and [Figure 22](#) ).
- » Recommend the use of a bird screen of ¼" stainless steel or plastic mesh (IPEX System 636 drain grate) to guard against foreign objects.



#### Caution

Refer to local code requirements or restrictions when installing concentric side wall termination kits. Ensure that the termination and venting slope back to the appliance.

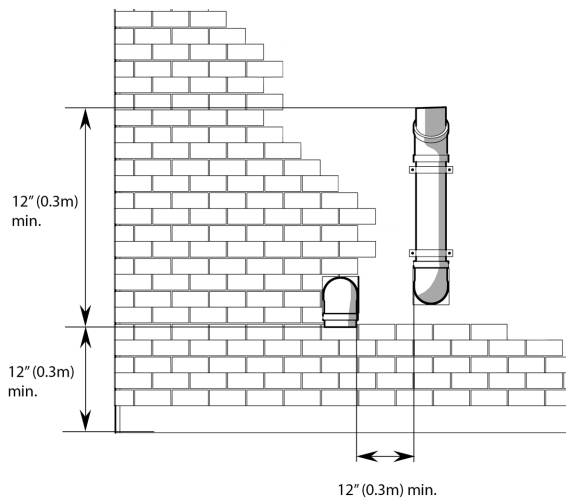


Figure 20 Vent termination clearance

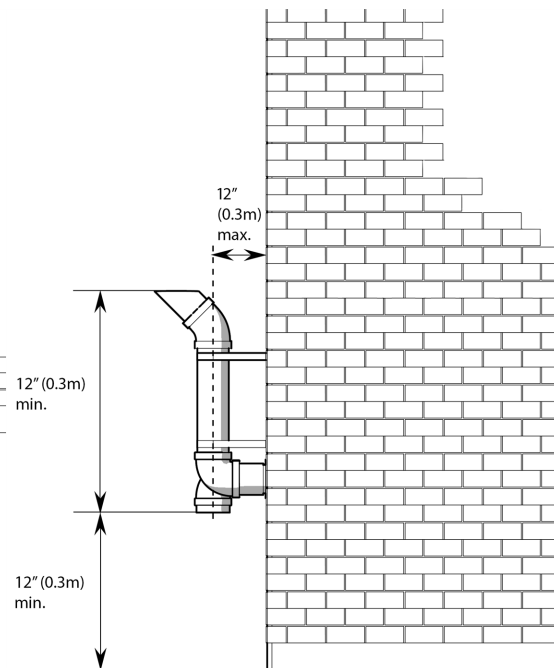


Figure 21 Vent termination clearances

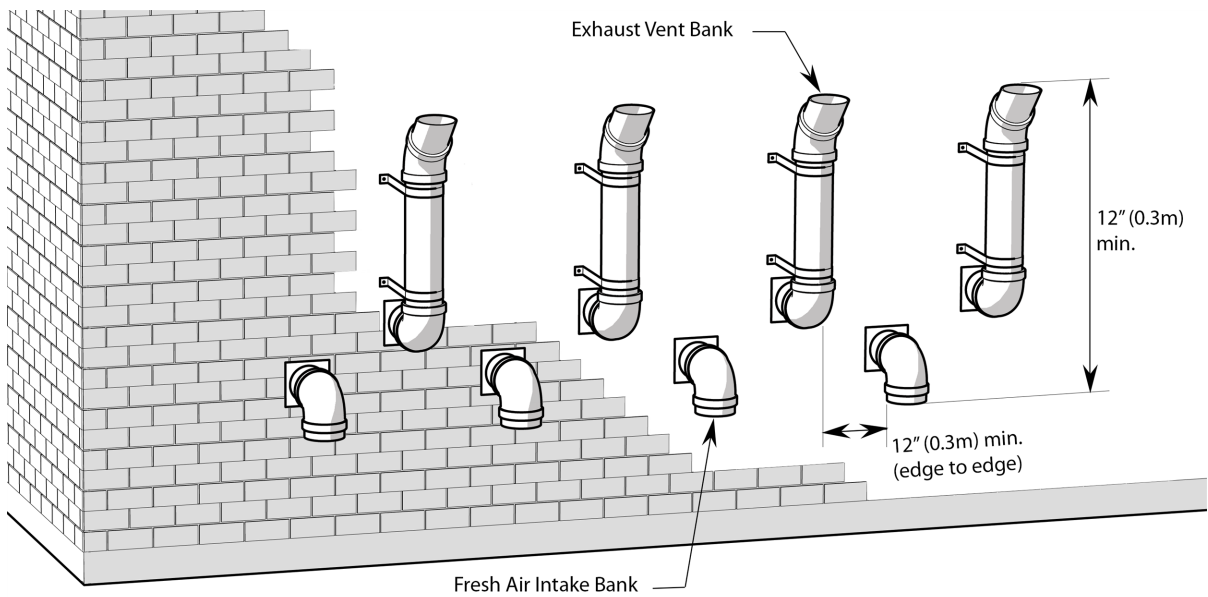


Figure 22 Sidewall vent termination configuration option 1

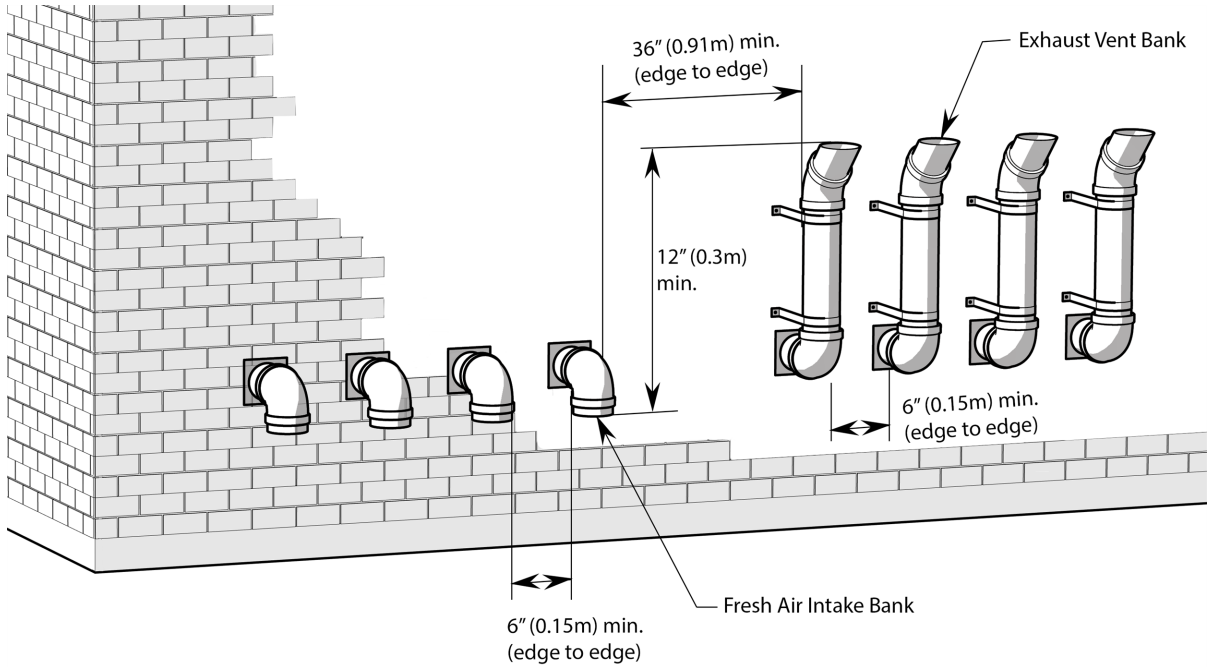


Figure 23 Sidewall vent termination configuration option 2



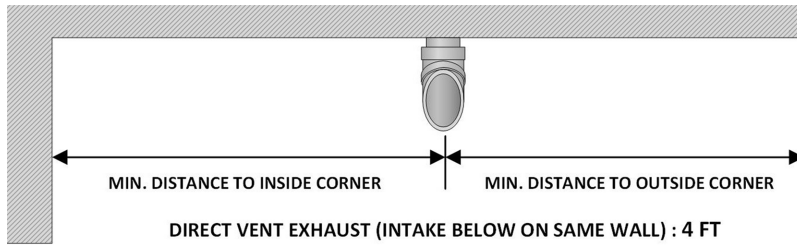


Figure 24 Top view - minimum distance of exhaust vent to inside and outside corners



### Warning

In areas of high snowfall, users must be advised to check side wall vent and air intake terminations on a regular basis to ensure blockage does not occur.

Sidewall direct vent with stainless sidewall terminal must be terminated as follows:

- » The Stainless Sidewall Terminal (SST) 2 inch (IBC kit P-256 ) or 3 inch (IBC kit P-257 ) are approved for use with this appliance.
- » Install the SST to comply with the minimum vent clearances listed in [Table 5](#) .
- » Install the SST with the vent and intake pipes horizontally beside each other or vertically with the vent pipe on top (see [Figure 25](#) ). The vent pipe cannot be installed below the intake. The vent cap must be installed with the openings directed up and down (see [Figure 25](#) ), and not side to side.

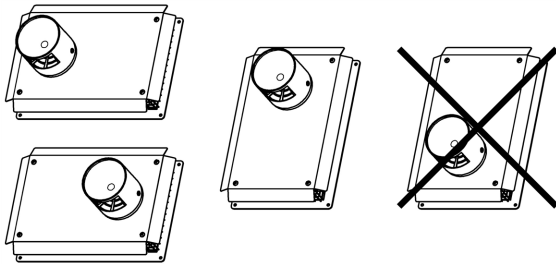


Figure 25 Allowed SST installation orientations

- » The SST vent/air connections fit Sched. 40 two inch or three inch PVC/CPVC pipe. PPs pipe cannot be used with the SST. The pipes must extend completely through the wall as shown below. The SST is an external fixture, and is not part of the sealed vent system that runs inside the building.

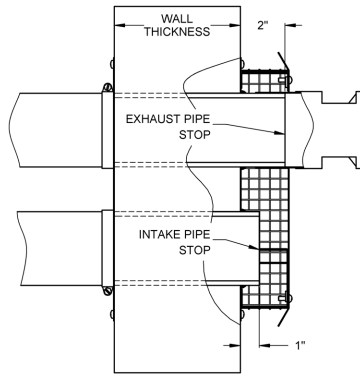


Figure 26 Pipes extend completely through the wall (Vertical orientation shown)

- » Ensure that the vent termination location does not exceed the allowed maximum equivalent vent length, including the allowance for the SST.
- » Install multiple vent SST installations level with one another and maintain at least the minimum separation distances shown below. The Terminals shall not be stacked vertically.

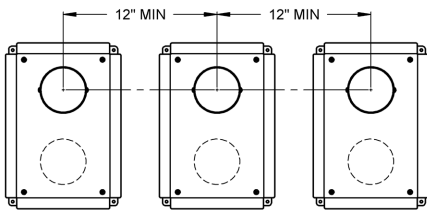


Figure 27 : Minimum separation for multiple vent installation - vertical orientation

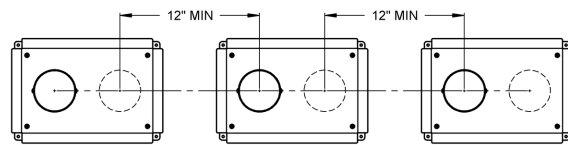


Figure 28 : Minimum separations for multiple vent installation - horizontal orientation



**Caution**

Take care installing Concentric Side Wall Termination kits when the outdoor temperature drops below 5°F/-15°C. Possible blockage of the combustion air intake can occur when the outdoor temperature drops below this temperature.

Approved PVC Side Wall Termination kits are listed below:

- » Ipex # 196984 2"
- » Ipex # 196985 3"
- » Ipex # 196986 4"

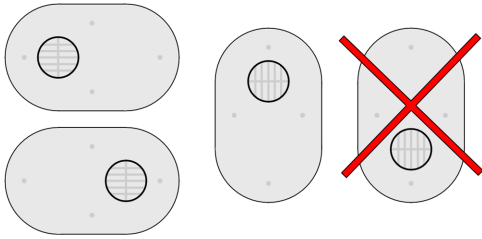


Figure 29 Approved PVC Side Wall Termination configuration

### 3.7.7 Indoor air combustion air intake

An “Indoor Combustion Air installation” can be described as air for combustion that is taken from the air surrounding the boiler.



#### Warning

When using indoor air options, supply adequate combustion air to the boiler room according to the requirements of all applicable codes.



- ① Flue gas exhaust to outdoors
- ② Combustion air from boiler room. For indoor air installation, check air intake and boiler room combustion air opening(s) to ensure they are clear of obstructions.

Figure 30 Indoor combustion air intake

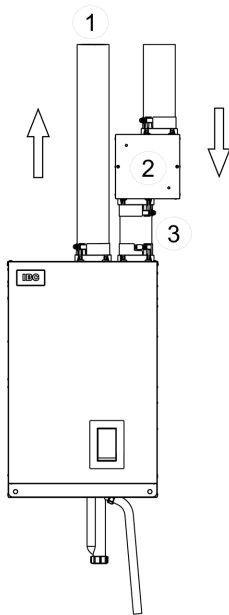
To support combustion, an ample air supply is required. This may require direct openings in the boiler room to the outside. If the boiler is not in a room adjacent to an outside wall, air may be ducted from outside wall openings.

Provisions for combustion and ventilation air must be made as follows:

- » in the USA, in accordance with the National Fuel Gas Code, ANSI Z223.1 (latest edition), or applicable provisions of the local building codes
- » in Canada, in compliance with B149.1 (latest edition).

### 3.7.8 Combustion air filtration system

If combustion air contamination from ingested particulate matter is a concern in any installation, an optional air intake filter may be installed. IBC-supplied air intake filters have a known pressure drop and fouling factor and should be used as a component of the combustion air system according to the allowable intake length in [Table 4](#).



- |   |                              |
|---|------------------------------|
| ① | Flue gas exhaust to outdoors |
| ② | P-357 Air intake filter      |
| ③ | 3-inch schedule 40 pipe      |

**Figure 31** Direct vent - intake, exhaust system with optional air intake filter (filtration may also be used on indoor air applications as required)

## 3.8 Closet installations

For installations in a confined space (such as a closet), ventilation openings may be needed through a door or wall to prevent excessive heat from building up inside the space.

The appliance must not be exposed to surrounding air above 122°F (50°C) or below 32°F (0°C).

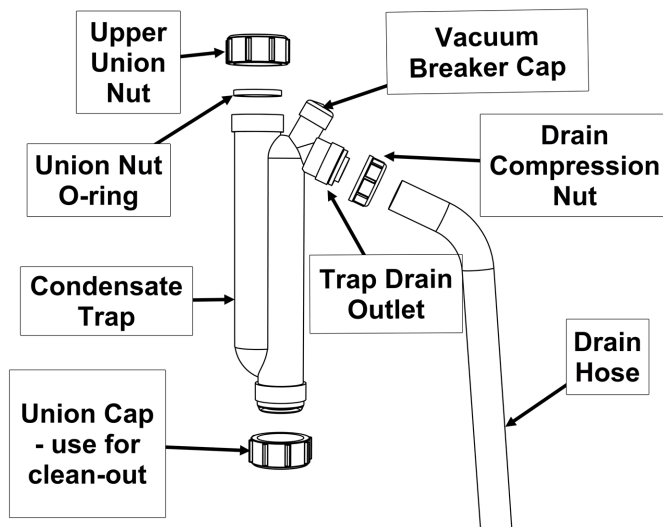
## 3.9 Installing a condensate trap

IBC's specified vent configuration promotes the safe drainage of moisture from the boiler and exhaust venting without flowing liquids back through the heat exchanger (as done by some other condensing boilers).



### Warning

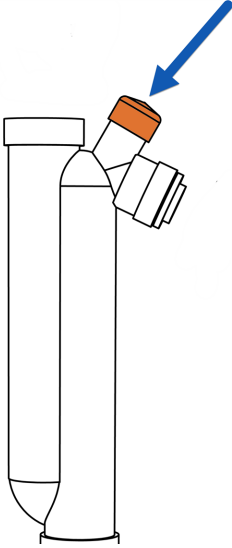
Fill the trap with water before initially firing the boiler to prevent exhaust fumes from entering the room. Never operate the boiler unless the trap is filled with water. Failure to comply will result in severe personal injury or death.



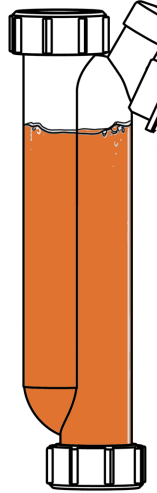
- » Ensure the supplied trap is correctly installed and filled with water.
- » When required, add (and maintain in good condition) a neutralization tank. For information on installing a condensate neutralizer, see [Installing a condensate neutralizer on page 39](#).

The condensate trap must be installed on the drain connection at the base of the boiler. The condensate drain must be piped to within 1" of a drain or connected to a condensate pump. The drainage line must slope down to the drain at a pitch of 1/4" per foot so condensate runs towards the drain.

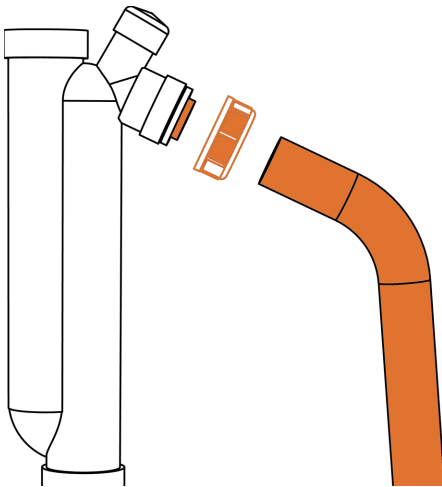
- 1.** Place the vacuum breaker cap over the vacuum breaker opening and push firmly.



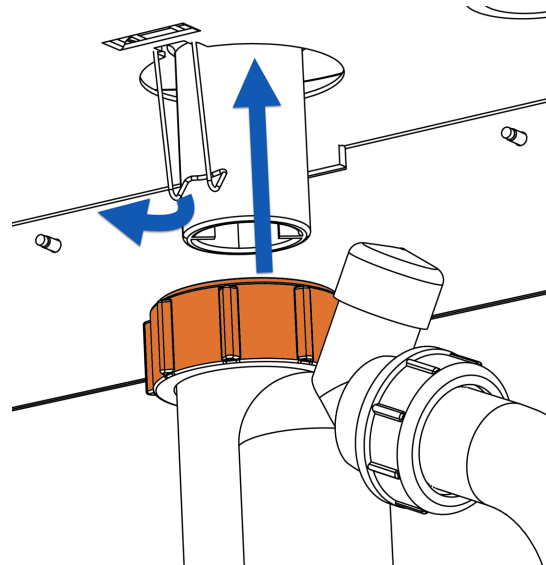
- 2.** Fill the condensate trap with water.



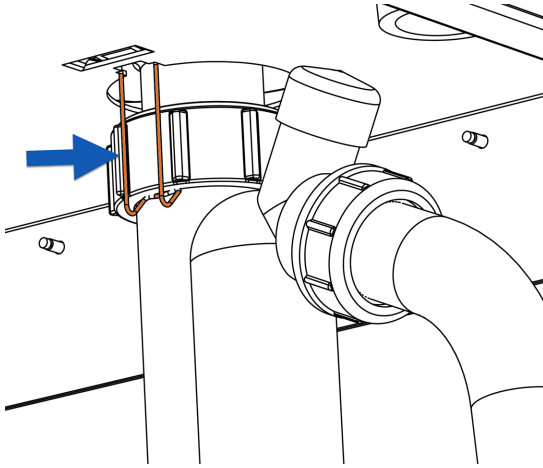
- 3.** Attach the drain hose and tighten the drain compression nut (including washer).



- 4.** Slide the trap over the boiler drain outlet, and tighten upper union nut.



- 5.** Ensure that the trap upper union nut is secured by the outlet clip.



- 6.** Check that all trap fittings have been hand-tightened to prevent leakage of flue gases. Do not use tools and over-torque. Check for leaks.



## 3.10 Installing a condensate neutralizer

If discharging condensate into building drain piping materials that are subject to corrosion, use a neutralization package.



### Caution

After installing a condensate neutralization package, the pH of the condensate discharge must be measured on a regular schedule to ensure the neutralizing agent is active and effective.



### Danger

The water in the condensate neutralizer can cause severe burns to the skin. Wear protective gloves and eye wear when servicing the condensate neutralizer.

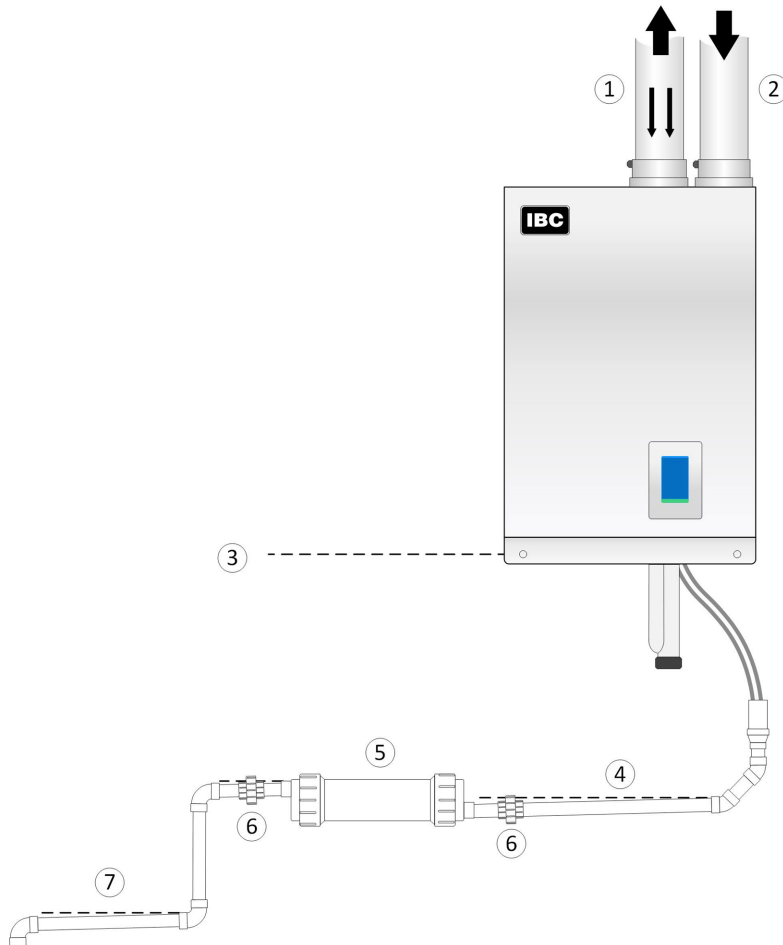


Figure 32 Condensate neutralization tank

- ① Flue gas exhaust: condensate, and potentially rain water, flow back from the venting system.
- ② Air intake piping: **Warning** - Risk of damage to appliance. Ensure that rain water is prevented from entering.
- ③ Condensate water line: **Warning** - Risk of damage to appliance. All condensate discharge lines, including neutralization tank inlet, must be at a lower elevation than the condensate water line of the appliance.
- ④ Free flow of condensate from venting systems and the pressure vessel must be maintained at all times. Trap and condensate drain piping must be accessible to allow regular inspection and cleaning.



- ⑤ Condensate neutralizer: Drain materials subject to corrosion must be protected by acid neutralization. **Warning** - Risk of injury. Tank fluid can be highly acidic. Do not use hands to stir material. Refer to the neutralization instructions of the manufacturer. Access to the discharge, before the drain, is necessary for proper maintenance in order to check the effectiveness of the neutralizing agent. A simple pH test should be performed annually to ensure neutralizing agent is still effective. If the pH falls below 6.5 the neutralizing material should be replaced. The agent (limestone chips with a minimum calcium carbonate content of 85%) can be purchased from a local supplier.
- ⑥ ¾" FPT inlet and outlet. Unions for ease of maintenance (ships with shown model NT-1S, available from plumbing).
- ⑦ To drain. Confirm slope. Slope the condensate hose and drain piping toward the drain and secure to prevent accidental disassembly.

## 3.11 Water Piping



### Warning

Water quality has a significant impact on the lifetime and performance of a boiler's heat exchanger.

Improperly prepared water in a heating circuit may cause damage to the heat exchanger through fouling or corrosion. Repeated or uncontrolled water fills will increase the potential for damage.

High levels of dissolved solids or minerals may precipitate out of the fluid onto the hottest part of the heat exchanger, impairing heat transfer and resulting in overheating and premature failure. The amount of solids that may form on the heat exchanger will depend on the degree of hardness and the total water volume in the system. A high water volume system with a low hardness count may cause as much damage as a system with less volume and higher hardness, so it is recommended to treat water so as to remove all dissolved solids. Other water chemistry allowable limits are as follows:

- » Acidity pH is to be between 6.6 and 8.5
- » Chloride is to be less than 125 mg/l
- » Iron is to be less than 0.3 mg/l
- » Cu less than 0.1 mg/l
- » Conductivity is to be less than 400 $\mu$ S/cm (at 77°F [25°C])
- » 7 grains/ gal (120 ppm)

**Important:** Ensure that these limits are acceptable for the other water-side components in the system.

Boiler Head Loss - VX 110							
Flow rate (gpm)	2	4	6	8	10	12	14
Head @ flow (ft)	0.18'	0.51'	0.99'	1.59'	2.49'	3.55'	4.75'

**Table 6** Boiler Head Loss

Boiler Head Loss - VX 150							
Flow rate (gpm)	4	6	8	10	12	14	16
Head @ flow (ft)	0.42'	0.9'	1.52'	2.26'	3.25'	4.31'	5.61'

**Table 7** Boiler Head Loss

Boiler Head Loss - VX 199							
Flow rate (gpm)	4	7	10	13	16	19	22
Head @ flow (ft)	0.44'	0.9'	1.73'	2.91	4.36	6.23'	8.4'

**Table 8** Boiler Head Loss

Ensure that the pump is rated for the design circulating water temperatures; some pumps have a minimum water temperature rating above the low temperature potential of the boiler. Following installation, confirm the actual performance by measuring  $\Delta^{\circ}\text{T}$  (under high and low flow conditions) after establishing the correct firing rate.

To use legacy heat, we recommend water flow after burner shutdown. There can be significant build-up of energy due to the volume of heated water in the system. Default load settings will run the boiler's primary pump for up to 5 minutes (300 seconds) after burner shutdown. Secondary pumps can be set to run up to 15 minutes after burner shutdown (for the last calling load). As shipped, the default settings will run the Load pump for 5 minutes to place the legacy heat where it is useful. Any secondary pump can be set to run for 0 – 900 seconds in the heat purge mode. Guard against deadheading pumps when all zone valves are closed by setting the load Pump Post Purge (sec) to '0'.

To allow pump purge after burner shut-down, the primary pump must be under the control of the boiler.

To simplify the control application, promote good loads and flow management, installers must conform to the piping design configurations provided.

### Propylene glycol usage



#### Warning

Do not use automotive-type ethylene or other types of automotive glycol antifreeze, or undiluted antifreeze of any kind. This may result in severe boiler damage. Installers must ensure that glycol solutions are formulated to inhibit corrosion in hydronic heating systems of mixed materials. Improper mixtures and chemical additives may cause damage to ferrous and non-ferrous components as well as non-metallic, wetted components, normally found in hydronic systems. Ethylene glycol is toxic, and may be prohibited for use by codes applicable to your installation location. For environmental and toxicity reasons, IBC recommends only using non-toxic propylene glycol.

Propylene glycol solution is commonly used in a closed loop where freeze protection is required. Its density is lower than that of water, resulting in lower thermal performance at a given flow and pressure. Generally, a 50%:50% solution of propylene glycol and water requires an increased system circulation rate (gpm up 10%), and system head (up 20%) to provide performance equivalent to straight water.

These boilers are designed for use within a closed loop, forced circulation, low pressure system. A 30 psi pressure relief is supplied for field installation in the relief valve fitting on top of the boiler. Relief valve discharge piping must terminate between 6" (15 cm) and 12" (30 cm) above the floor or per local code.



#### Warning

During operation, the relief valve may discharge large amounts of steam and/or hot water. To reduce the potential for bodily injury and property damage, install a discharge line that:

- » Is connected from the valve outlet with no intervening valve and directed downward to a safe point of discharge.
- » Allows complete drainage of both the valve and the discharge line.
- » Is independently supported and securely anchored, so as to avoid applied stress on the valve.
- » Is as short and straight as possible.
- » Terminates freely to atmosphere where any discharge will be clearly visible and is at no risk of freezing. terminates with a plain end which is not threaded.
- » Is constructed of a material suitable for exposure to temperatures of 375° F or greater.
- » Is, over its entire length, of a pipe size equal to or greater than that of the valve outlet (¾" NPT).

**Do not cap, plug or obstruct the discharge pipe outlet.**

### 3.11.1 General piping best practices

Primary/secondary piping, or the use of a hydraulic separator (such as the Caleffi 549 SEP4™ 4-in-1 Magnetic Hydraulic Separators) is recommended for maximum flexibility in multi-load applications. Piping loads in parallel is also encouraged in systems that only have two loads, or when loads are operating simultaneously. The extremely low pressure drop through the heat exchanger affords more flexible options unavailable in other designs.



#### Caution

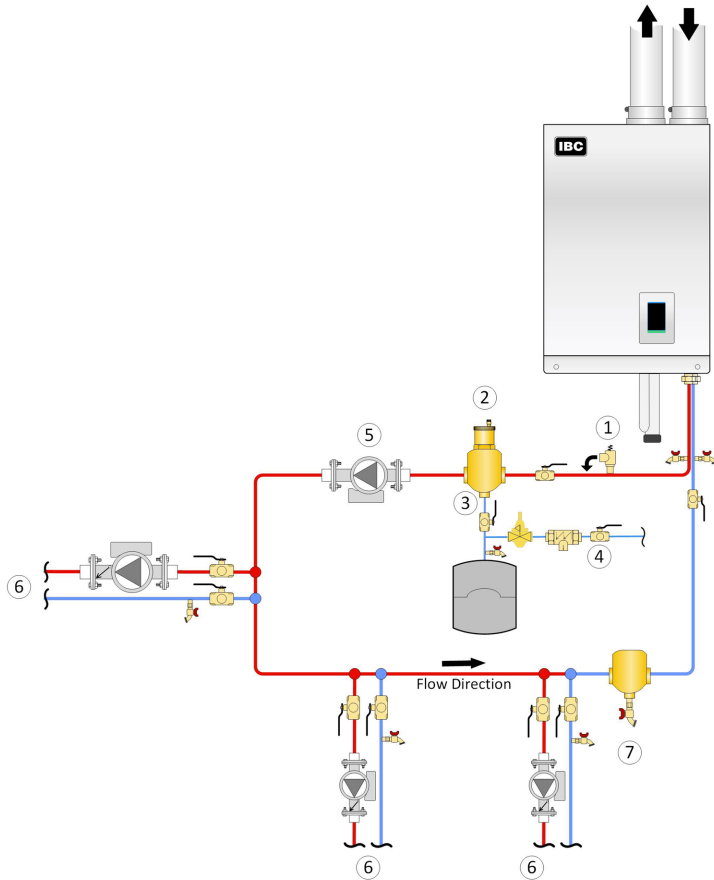
Contact local water purveyors about the suitability of the supply for use in hydronic heating systems. If unsure about water quality, request testing and assessment (and treatment, if required) from a local water treatment expert. Alternatively, water or hydronic fluid of known quality can be brought to the site.

### 3.11.2 System piping

#### Note

The piping drawings in this manual are simple schematic guides to a successful installation. For further information and details, consult our concept drawings – which provide detail on specific single and multiple boiler applications (available in IBC's [Technical portal](#)). There are many necessary components not shown, and details such as thermal traps are left out so the drawings have greater clarity. Our boilers must be installed by licensed and experienced heating professionals familiar with the applicable local and national codes. System design is to be completed by an experienced hydronic designer or engineer. You should carefully read and follow the installation instructions along with the application drawing that fits your system.

System piping is connected to the boiler using 1" NPT-Male threaded fittings. To simplify servicing, we recommend using unions at the boiler's supply and return water connections.



- ① Pressure relief valve (shipped with the boiler): no isolation valve permitted between boiler and relief valve
- ② Microbubble air eliminators are best installed where the fluid is at the highest temperature and lowest pressure, on boiler outlet at expansion tank connection.
- ③ Expansion tank connection (point of no pressure change) should be on the suction side of the circulator, with minimal pressure drop between.
- ④ Fill station with isolation valve closed, or fill tank.
- ⑤ Boiler (primary) pump
- ⑥ To/ from load
- ⑦ Dirt separator recommended

Figure 33 Boiler trim options - single boiler

Fluid fill is most often accomplished by using a boiler regulator and fill valve set at 12 psig or more, with the appropriate backflow prevention device as required by local code. This is acceptable in areas where municipal water or well water has been treated and filtered to remove excessive minerals and sediment, and water chemistry is known to be suitable for closed loop hydronic systems. In areas where water quality is in question, or when chemical treatment or glycol is required, other options should be considered. Follow the applicable codes and good piping practice.

**Warning**

Close the fill valve after any addition of water to the system, to reduce risk of water escaping.

Today there are a number of boiler feed and pressurization devices on the market that may be a better choice than a raw water fill from the mains. When regular maintenance requires relief valve blow-off, the discharge may be directed back into the pressurization appliance for recycling of boiler fluid and chemicals back into the system. In buildings that may be unoccupied for long periods of time, pressurization appliances are useful to prevent flood damage should leakage occur from any component in the system. An additional benefit is that backflow prevention devices are not required when using these devices.

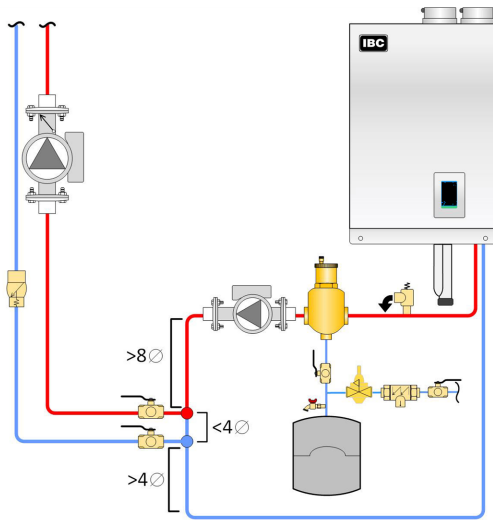
Do not place any water connections above the boiler to avoid damage to the fan and controls. If needed, create a shield over the top of the cover, but allow clearance for airflow and service access.

### 3.11.2.1 Primary-Secondary piping

For best results, use a primary/secondary piping system, with a pumped boiler loop using 1" or 1¼" piping. Primary/Secondary piping ensures adequate flow and de-couples  $\Delta^{\circ}T$  issues (boiler vs. distribution). Aim for a 20° to 30° F  $\Delta^{\circ}T$  across the heat exchanger at high fire (there is a boiler protection throttle fence limiting the  $\Delta^{\circ}T$  to 40°F).

For the VX 110 model, the heat exchanger head is only 1.5' at 4 US gpm and approximately 4' at 10 US gpm. To ensure adequate water flow through the boiler under high-head / single zone space heating conditions, a pressure activated bypass or other means of bypass must be used on any load where the flow rate might drop below minimum requirements.

Check valves or thermal traps should be used to isolate both the supply and return piping for each load - to avoid thermal siphoning and reverse flow.



- 1 Closely-spaced tees: Install tees with straight piping (min. pipe diameter lengths as per [Table 9](#)), with tees maximum 4 pipe diameters apart with no restrictions between fittings.

Figure 34 Primary-secondary piping details with closely-spaced tees

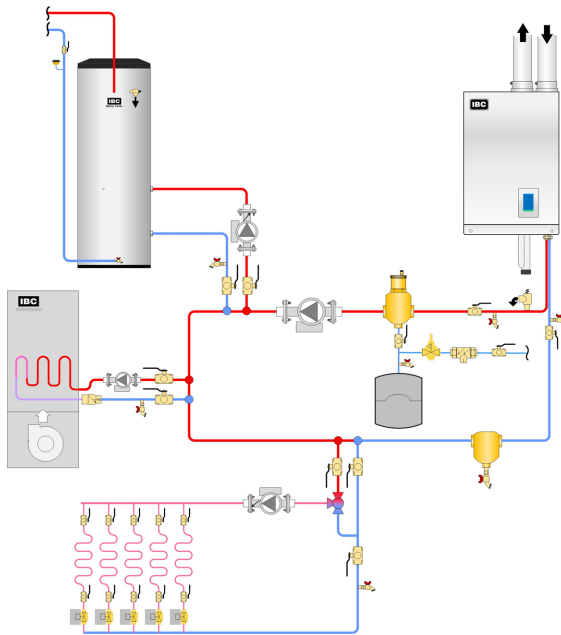


Figure 35 Primary-secondary piping with simultaneous heating calls

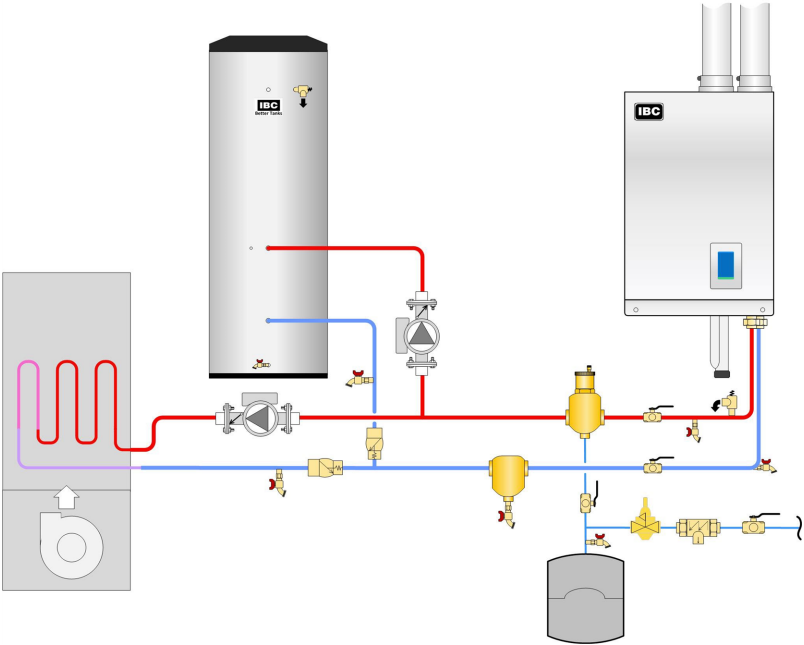
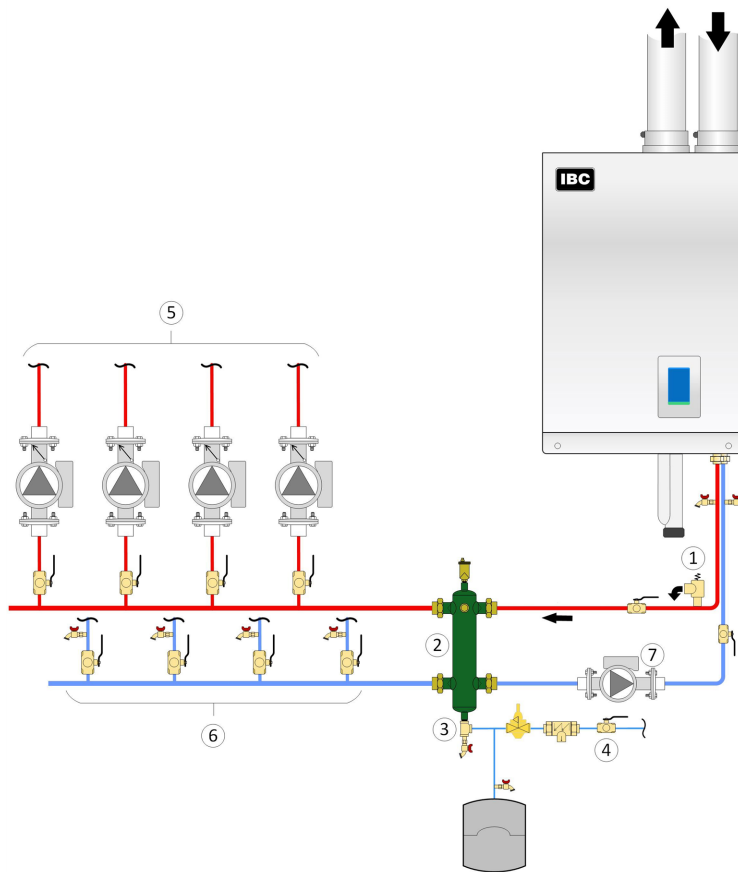


Figure 36 Two pump, two load - parallel piping concept

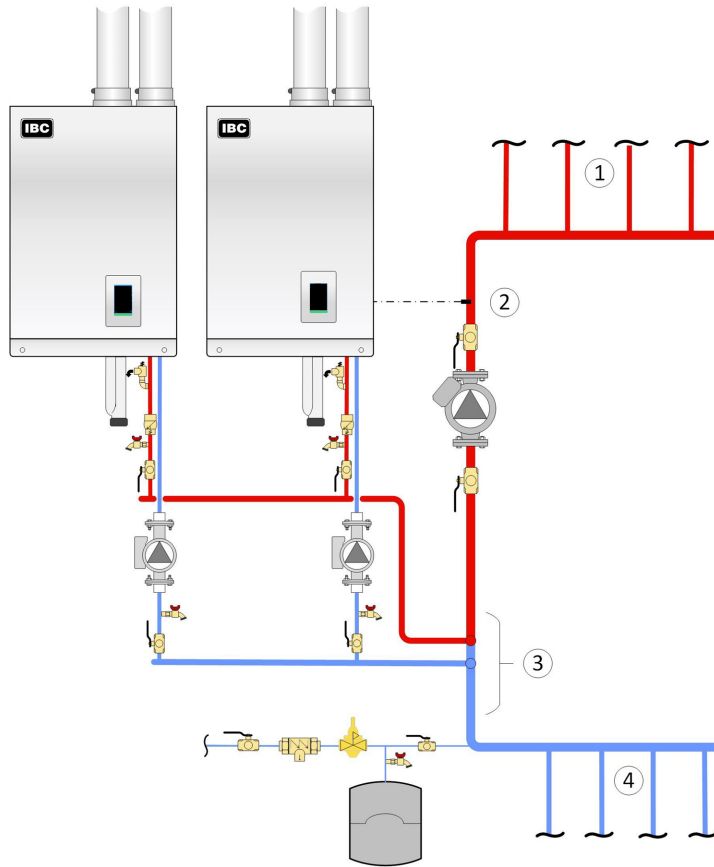




- ① Pressure relief valve (shipped with boiler): no isolation valve permitted between boiler and relief valve
- ② Hydraulic separator
- ③ Expansion tank connection (point of no pressure change) should be on the suction side of the circulator, with minimal pressure drop between.
- ④ Fill station with isolation valve closed, or fill tank
- ⑤ Supply piping to loads
- ⑥ Returns to loads
- ⑦ Boiler (primary) pump

**Figure 37** Primary-Secondary piping concept with hydraulic separator

The boilers can supply multiple heating loads with compatible supply temperature requirements. Always ensure that loads sensitive to high temperatures are protected using means such as mixing valves.



- ① Supply to heating system.
- ② Secondary loop sensor (to master boiler).
- ③ Closely-spaced tees are a maximum of four pipe diameters apart, with a minimum of eight pipe diameters of straight piping upstream of the first tee and a minimum of four pipe diameters of straight piping downstream of the second tee.
- ④ Return from heating system.

Figure 38 Multiple boiler piping

## 3.12 Gas piping

### Note

Due to the precision of modern modulating boilers it is important to pay special attention to gas pressure regulation.

**Important:** Check gas supply pressure to each boiler with a manometer or other high-quality precision measuring device. Pressure should be monitored before firing the boiler, during operation throughout the boiler's full modulation range, and after the call when the regulator is in a "lock-up" condition.

Pay special attention to retrofit situations where existing regulators may have an oversized orifice and/or worn seats, causing pressure "creep" and high lock-up pressures.

A high quality regulator will maintain constant pressure above the boiler's minimum specification at all firing rates, and will not exceed the boiler's maximum pressure rating when locked-up with no load.

### 3.12.1 Gas pressure

The boilers require a minimum inlet gas supply pressure of 4.0" w.c. for natural gas or propane during high fire operation. For either fuel, the inlet pressure shall be no greater than 14.0" w.c. Confirm this pressure range is available with your local gas supplier.

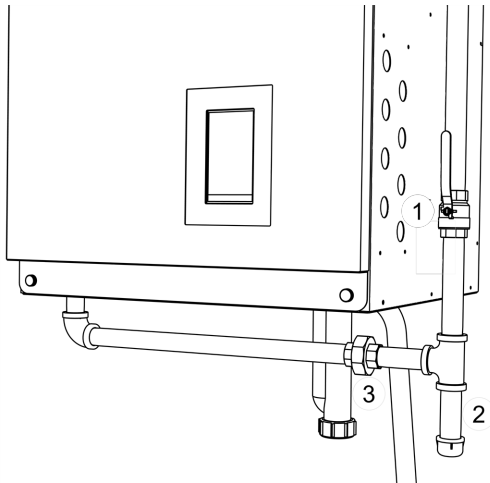
The inlet gas connection to the boiler is ½" NPT (female).

Adequate gas supply piping must be installed with no smaller than ½" Schedule 40 (e.g., Iron Pipe Size (IPS) and using a 1" w.c. pressure drop, in accordance with the following chart.

Maximum Gas Pipe Length (ft)				
Model	½" IPS	¾" IPS	1" IPS	1¼" IPS
VX 110 (natural gas)	30'	125'	400'	1,600
VX 110 (propane)	90'	350'	1000'	2,000
VX 150 (natural gas)	20'	80'	200'	900'
VX 150 (propane)	50'	200'	600'	2,000'
VX 199 (natural gas)	10'	40'	150'	900'
VX 199 (propane)	30'	125'	400'	1,400'

**Table 9** Maximum Gas Pipe Length (ft)

Gas piping must have a sediment trap ahead of the boiler's gas valve. A manual shutoff valve must be located outside the boiler, in accordance with local codes or standards. All threaded joints in gas piping should be made with an approved piping compound resistant to the action of natural gas or propane. Use proper hangers to support gas supply piping as per applicable codes.



- ① Install manual shut-off valve. Check local code for height requirement
- ② Full-sized sediment trap
- ③ Union

Figure 39 Typical gas piping

The boiler must be disconnected or otherwise isolated from the gas supply during any pressure testing of the system at test pressures in excess of  $\frac{1}{2}$  psig. Dissipate test pressure prior to reconnecting. The boiler and its gas piping must be leak-tested before being placed into operation.

The gas valve is provided with pressure taps to measure gas pressure upstream (supply pressure) and downstream (manifold pressure) of the gas valve. Note that manifold pressure varies slightly in accordance with firing rates with the modulating series boilers, but will always be close to 0" wc.

### 3.13 Electrical connections

All electrical wiring to the boiler (including grounding) must conform to local electrical codes and/or to the National Electrical Code, ANS/NFPA No. 70 – latest edition, or to the Canadian Electrical Code, C22.1 - Part 1.

### 3.13.1 Power management, quality and electrical protection

In areas of unreliable power, appropriate surge protectors and or power conditioning equipment should be installed in power supply wiring circuits.

#### Note

The IBC boiler (like any modern appliance that contains electronic equipment) must have a “clean” power supply, and is susceptible to power surges and spikes, lightning strikes and other forms of severe electrical “noise”. Power conditioning equipment (surge protectors, APC or UPS devices) may be required in areas where power quality is suspect.

In temporary or manual operation, for example in new construction heating, use a construction thermostat or jumper with an in-line on/off switch for on/off management of the boiler. **Do not** turn off the heat by removing power to the boiler. This will interrupt the moisture management routine (fan turns at ultra low rpm for 90 minutes after burner shutdown) resulting in serious damage to the boiler. Treat the boiler like a computer, where you do not just pull the plug when done.

### 3.13.2 120VAC line-voltage hook-up

Line-voltage wiring is done within the field-wiring box (see [Wiring diagrams on page 99](#)). Connect the boiler to the grid power using a separate, fused circuit and on/off switch within sight of the boiler. Use 14-gauge wire in BX cable or conduit properly anchored to the boiler case for mains supply and pump circuits.

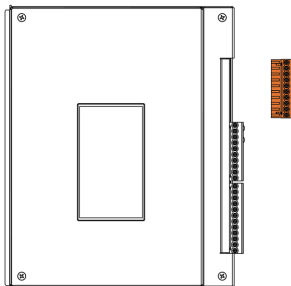


Figure 40 Line voltage load pump terminals



#### Caution

The on-board controller load pump relays are protected with 5 Amp fuses. The maximum recommended load on each fuse is 4 Amps (80% of rating). The maximum combined pump load is 10 Amps. Isolation relays or contactors **must** be used if the loads exceed these maximums.

Connect a 120VAC / 15 amp supply to the "AC IN" tagged leads in the wiring box. The maximum actual draw (with 5 typical residential size pumps) is less than 4 amp.

### **3.13.2.1 Load pumps**

The 120 VAC power supply to the load pumps (P/V1, P/V2, P/V3, and P/V4) has been factory installed and connected to P/V-L and P/V-N for your convenience. The upper 4 pairs of contacts on this green connector strip are then powered to manage up to 4 load pumps – the top pair for Load 1, the second pair for #2 etc. Once the controller is programmed for the respective loads, the boiler manages all the loads without need of further relays (for loads up to 1/3 HP for more – use a protective relay).

### **3.13.2.2 Boiler pump**

The boiler (primary) pump is powered by the white/yellow wire from the pair labeled "Boiler Pump". This lead is factory wired to the controller (and its 120 VAC supply) at the upper right backside of the controller board. Do not attempt to connect the primary pump to the Pump/ Zone Valve Terminal Block along the controller's right edge - this is for the secondary pumps and/or zone valves only. Connect the pump's Black wire to the Yellow of this pair (switched Hot). The White/ Yellow pair should be individually capped if the primary pump does not obtain its power from this pair (e.g. if a variable speed primary pump is connected to the mains power).

Pumps can be switched on/off using the touchscreen controller, so there is no need for temporary pump wiring during system filling / air purging.

The combined current of all load pumps connected through the on-board pump relays should not exceed 10 amps. The control circuit board is protected using on-board field replaceable fuses. Each pump is fused with a separate 5 Amp fuse. The Alarm contact is fused with a 5 Amp fuse and the 24VAC boiler control circuit is protected with a 2 Amp fuse.

The VS output leads are not commonly used except when providing a variable speed signal to the fan in an IBC air handler.

### 3.13.3 Other wiring



#### Danger

Do not connect sensors to “Therm” terminals. Overheating components can result in serious personal injury and/or property damage.

Other optional low voltage connections to the control board include:

- » Two auxiliary Interlocks - for external safety devices as may be required by some jurisdictions, such as an external low-water cutoff.
- » Contacts for indoor and outdoor temperatures sensors associated with reset heating. A 10K ohm thermister (resistor dependent on temperature) for outdoor reset sensing is supplied with the boiler for improved comfort and combustion efficiency.
- » One pair for a DHW tank sensor. Connect to "DHW S" (not the respective Therm. 1,2,3,4 location) and the boiler automatically detects and calls a smart DHW routine.
- » One pair of contacts for remote secondary loop temperature control.
- » One pair (marked BoilerNet) for network connection – this is used for connecting multiple IBC modulating appliances for autonomous staging.
- » The bottom pair of contacts (labeled 'External Control') receives a 0-10VDC (default) or 4-20 mA signal from an external boiler controller for direct throttle control. The boiler's own sensors act as high limits only. The user must enter maximum and minimum boiler supply temperatures.

#### Note

Sensors connected to any sensor input contacts must be of the NTC Thermister type with a resistance of 10,000 ohms at 77°F (25°C) and  $\beta = 3892$ . We do not recommend using 3rd party supplied sensors. Compatible water temperature sensors and outdoor sensors can be supplied by your IBC distributor.

### 3.13.4 Zone valve hook-up

If using zone valves instead of pumps to manage multiple heating loads:

1. Provide 24VAC for the zone valves to the power contacts on the Pump/ Zone Valve terminal block.
2. Disconnect the 120VAC leads connected to PV-L/PV-N and cap off.
3. Use a separate transformer – the 40 VA appliance inside the wiring box is for internal systems only.
4. Wire individual load/zone valves to their associated contacts on the secondary pump/zone valve connector. Do not confuse such “load/zone valves” with similar valves used to segregate a single load type (e.g., those used on a zoned radiant floor) – see the next section.

### 3.13.5 Thermostat / sensor wiring

Each of the four loads has dry contacts for thermostats as marked on the lower connector strip (e.g., "Therm 1"). Gang lines from a multiple-zoned load (e.g., off the end-switches for each radiant floor zone) present a common thermostat signal to the controller. Ensure that there are no disturbing influences on the call-for-heat lines - for example, that there are no coils to switch an air handler motor. Most power stealing thermostats can be connected directly to the Therm terminals. Consult the *Controller* manual for more detailed instructions.

### 3.13.6 Thermostat heat anticipator

IBC "Therm" contacts draw no power, so an anticipator setting for the thermostat is not applicable with these appliances. In the case of a single temperature / heat load where zone valves are used to manage individual thermostatically controlled zones, each room thermostat's heat anticipator should be adjusted to the current draw of its associated zone valve.

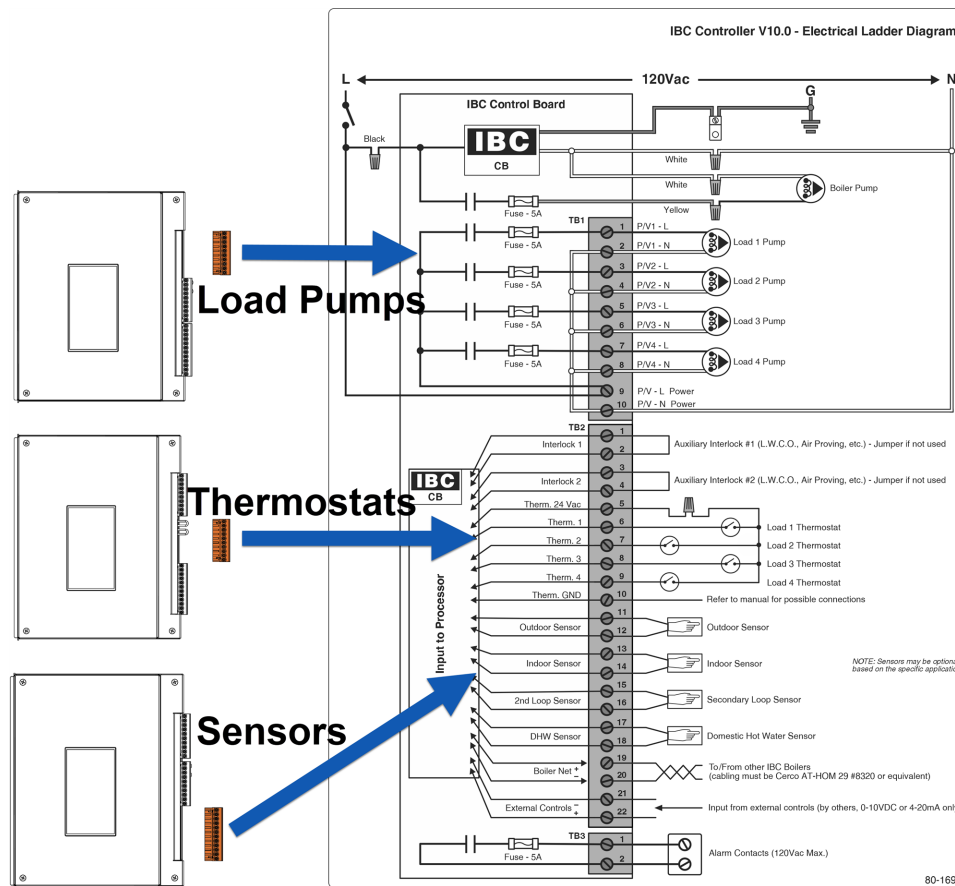


Figure 41 Electric wiring connections



## 4.0 About the boiler controller

---

This boiler is equipped with a touchscreen controller for programming the boiler. For detailed instructions on using the controller, see the *Touchscreen Controller* manual.

### Note

Use only a stylus or a clean finger to interact with the touchscreen. Using sharp or metallic objects will cause damage.

The controller is equipped to provide:

- » Control of up to 5 pumps – 1 boiler pump + 4 separate load pumps
- » Outdoor Reset control
- » Set Point temperature regulation
- » Domestic Hot Water (DHW)
- » External control via 0-10VDC or 4-20mA signaling
- » Manual control of firing rate for gas valve calibration
- » Alarm dry contacts
- » Zoning - simultaneous operation of up to four pumps
- » Load Combining – simultaneous operation of two similar water temperature loads
- » Programmable setback / override schedule
- » The control can manage or operate in a network of up to 4 IBC boilers without additional controller.
- » Some of the new features available in the touchscreen control include:
  - » Setup Menu for simple, quick programming
  - » Portal connectivity for remote monitoring and programming
  - » Superior warning messages while setting up the control
  - » Advanced Error messages with visual display on the Home Screen
  - » Internet/LAN connectivity

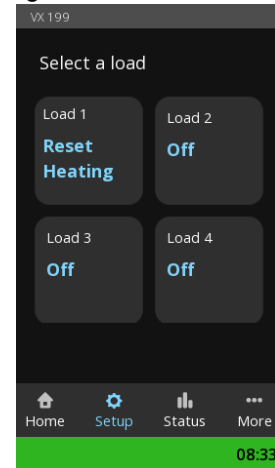


## 4.1 Controller

When the boiler is first energized, the controller will go through a power up sequence that will take approximately 60 seconds. During this time the controller is completing a self-diagnostic and loading all previous settings. In the event of a power interruption the boiler will automatically resume operation when power is restored with all the previously stored values.

The controller provides overall management of the boiler operations including:

- » Power-up, self-diagnostics, easy Load parameter adjustments
- » Burner operation, safety management systems, call-for-heat management and load priority
- » Real time boiler data
- » Temperature and throttle operation
- » Maintenance of operational and error service logs
- » 2-way communication between other IBC boilers and controls
- » Internet connection and communication



Operational and historical data may be accessed from the **Status** menu > **Load Status** > **Load Profiles** and **Load Statistics** screens. Also in the **Status** menu, you can view error logs, including records of all errors since original power-up complete with the date and time of the error.

## 4.2 Control interface

The control interface is provided through a color touchscreen display. The touchscreen responds to a light finger touch on the screen. You can also use a stylus, pencil, or similar device to operate the touch controls. Do not use a sharp or metallic object such as a screw driver to operate the control as it could damage the touchscreen.

Prior to any interaction with the touchscreen, the display shows the Home screen details of the current boiler status. If the controller has been left on, the Home screen long enough (user adjustable, 10 minutes by default) the display dims to save power.

The control automatically returns to the home screen if left unattended. The screens will step back one screen at a time in 10-minute increments if the touchscreen has not been touched. The pop-up windows will also step back automatically in 2-minute intervals.

The boiler status bar indicates if the boiler is in a normal, warning or alarm state. When no warning or alarm state is present, the bar will be green and the time will be displayed inside the green area. The bar can also be yellow or red corresponding a warning or alarm state. Text inside the bar will indicate the specific warning or alarm present. If more than one alarm is present the text display will slowly change, rotating though whatever alarms that are present.

## 5.0 Before operating the boiler



### Danger

Do not store or use gasoline or other flammable vapors or liquids in the vicinity of this or any other appliance. If you smell gas vapors, do not try to operate any appliance - do not touch any electrical switch or use any phone in the building. Immediately, call the gas supplier from a phone located remotely. Follow the gas supplier's instructions, or if the supplier is unavailable, contact the fire department.

Do not use this boiler if any part has been under water. Immediately call a qualified service technician to inspect the boiler and to replace any part of the control system and any gas control that has been under water.

Should overheating occur or the gas supply fails to shut off, do not turn off or disconnect the electrical supply to the pump. Instead shut off the gas supply at a location external to the appliance.


## Important pre-ignition checks

Once installation of the appliance is completed, and before operating the appliance, it is important to review the following checklist of precautions:

### Checklist for electrical conditions, ducting and water connections

Checking electrical conditions	Check
Check all line voltage electrical connections to ensure all connections are correct and tight.	<input type="checkbox"/>
Check thermostat connections.	<input type="checkbox"/>
Thermostat in a suitable location.	<input type="checkbox"/>
Checking piping connections	Check
Ensure venting system is complete and seal tested.	<input type="checkbox"/>
Confirm any common venting system at the installation site is isolated and independent of the boiler.	<input type="checkbox"/>
Confirm that any holes left from the removal of a previous boiler have been sealed, and that any resizing of the old flue has been done.	<input type="checkbox"/>
Check that the water piping system is fully flushed and charged, and that all air has been discharged through loosened bleed caps.	<input type="checkbox"/>
Note that it is possible to switch all pumps on/off from the touchscreen – without a call for heat. This simplifies system filling and air bleeding (refer to "Performing a manual pump purge" in the <i>Controller</i> manual). Load must be assigned. Use a minimum water pressure of 12 psig. And confirm that the pressure relief valve is installed and safely drained.	

Checking piping connections		Check
Check to see that adequate gas pressure is present at the inlet gas supply test port.		<input type="checkbox"/>
Connect a manometer and open the gas control valve. Requirements are minimum 4" w.c and maximum 14" w.c.		<input type="checkbox"/>
Check that there are no gas leaks.		<input type="checkbox"/>
All connections are pressure tested and leak free.		<input type="checkbox"/>
All piping flushed to ensure all air is removed.		<input type="checkbox"/>
Check valve is installed and the external pump is flowing in the correct direction.		<input type="checkbox"/>
Checking venting connections		Check
All connections are pressure tested and leak free.		<input type="checkbox"/>
All vent pipe is sized correctly and joints are sealed.		<input type="checkbox"/>
Powering on the boiler		Check
Perform a final check of electrical wiring, and provide power to the boiler to initialize operation.		<input type="checkbox"/>



**Warning** Fill the condensate trap with water before you first fire the boiler to prevent exhaust fumes from entering the room. Never operate the boiler unless the trap is filled with water. Failure to comply will result in severe personal injury or death.

## 6.0 Boiler operation

Before operating the appliance, there are some important pre-ignition checks that need to be performed. For more information, see [Before operating the boiler on page 59](#). To understand the boiler start-up process, see [Sequence of Operation on page 101](#). If the sight glass viewport clouds up at start-up, see [Cleaning the sight glass on page 83](#).

### 6.1 Lighting and shutting down the boiler


FOR YOUR SAFETY READ BEFORE OPERATING	POUR VOTRE SÉCURITÉ, LISEZ AVANT DE METTRE EN MARCHÉ
<b>WARNING:</b> If you do not follow these instructions exactly, a fire or explosion may result causing property damage, personal injury or loss of life.	<b>AVERTISSEMENT :</b> Quiconque ne respecte pas à la lettre les instructions de la présente notice risque de déclencher un incendie ou une explosion en entraînant des dommages, des blessures ou la mort.
<p>A. This appliance does not have a pilot. It is equipped with an ignition device which automatically lights the burner. Do not try to light the burner by hand.</p> <p>B. BEFORE OPERATING smell all around the appliance area for gas. Be sure to smell next to the floor because some gas is heavier than air and will settle on the floor.</p> <p><b>WHAT TO DO IF YOU SMELL GAS</b></p> <ul style="list-style-type: none"> <li>Do not try to light any appliance.</li> <li>Do not touch any electric switch; do not use any phone in your building.</li> <li>Immediately call your gas supplier from a neighbour's phone. Follow the gas supplier's instructions.</li> <li>If you cannot reach your gas supplier, call the fire department.</li> </ul> <p>C. Use only your hand to turn the gas control valve. Never force using tools. If the valve will not turn by hand, don't try to repair it, call a qualified service technician. Force or attempted repair may result in a fire or explosion.</p> <p>D. Do not use this appliance if any part has been under water. Immediately call a qualified service technician to inspect the appliance and to replace any part of the control system and any gas control which has been under water.</p>	<p>A. Cet appareil ne comporte pas de veilleuse. Il est muni d'un dispositif d'allumage automatique du brûleur. Ne tentez pas d'allumer le brûleur manuellement.</p> <p>B. AVANT DE FAIRE FONCTIONNER, reniflez tout autour de l'appareil pour déceler une odeur de gaz. Reniflez près du plancher, car certains gaz sont plus lourds que l'air et peuvent s'accumuler au niveau du sol.</p> <p><b>QUE FAIRE SI VOUS SENTEZ UNE ODEUR DE GAZ :</b></p> <ul style="list-style-type: none"> <li>Ne pas tenter d'allumer l'appareil.</li> <li>Ne touchez à aucun interrupteur; ne pas vous servir des téléphones se trouvant dans le bâtiment.</li> <li>Appelez immédiatement votre fournisseur de gaz depuis un voisin. Suivez les instructions du fournisseur.</li> <li>Si vous ne pouvez pas rejoindre le fournisseur, appelez le service des incendies.</li> </ul> <p>C. Ne poussez ou tournez la manette d'admission du gaz qu'à la main; ne jamais utiliser d'outils. Si la manette reste coincée, ne pas tenter de la réparer; appelez un technicien qualifié. Le fait de forcer la manette ou de le réparer peut déclencher une explosion ou un incendie.</p> <p>D. N'utilisez pas cet appareil s'il a été plongé dans l'eau, même partiellement. Faites inspecter l'appareil par un technicien qualifié et remplacez toute partie du système de contrôle et toute commande qui ont été plongés dans l'eau.</p>
OPERATING INSTRUCTIONS	INSTRUCTIONS DE MISE EN MARCHÉ
<ol style="list-style-type: none"> <li>STOP! Read the safety information above on this label before doing anything.</li> <li>Set the thermostat to lowest setting.</li> <li>Turn off all electric power to the appliance by selecting main power switch to OFF.</li> <li>This appliance is equipped with an ignition device which automatically lights the burner. Do not try to light the burner by hand.</li> <li>Locate manual gas shut-off valve (see pictures below) and turn clockwise to "CLOSE".</li> <li>Wait five (5) minutes to clear out any gas. Then smell for gas, including near the floor. If you smell gas, STOP! Follow step "B" in the safety information above on this label. If you don't smell gas, go to the next step.</li> <li>Turn gas control valve to OPEN.</li> <li>Turn on electric power to appliance by selecting main power switch to ON.</li> <li>Set thermostat to desired setting.</li> <li>If the appliance will not operate, follow the instructions "TO TURN OFF GAS APPLIANCE" and call your service technician or gas supplier.</li> </ol>	<ol style="list-style-type: none"> <li>ARRÊTEZ ! Lisez les instructions de sécurité sur la portion supérieure de cette étiquette.</li> <li>Réglez le thermostat à la température la plus basse.</li> <li>Coupez l'alimentation électrique de l'appareil.</li> <li>Cet appareil est doté d'un mécanisme d'allumage automatique. Ne pas tenter d'allumer la veilleuse à la main.</li> <li>Repérer la valve de fermeture manuelle du gaz (voir images ci-dessous) et tourner dans le sens des aiguilles d'une montre pour FERMER.</li> <li>Attendre cinq (5) minutes pour laisser échapper tout le gaz. Reniflez tout autour de l'appareil, y compris près du plancher, pour déceler une odeur de gaz. Si vous sentez une odeur de gaz, ARRÊTEZ ! Passez à l'étape B des instructions de sécurité sur la portion supérieure de cette étiquette. S'il n'y a pas d'odeur de gaz, passez à l'étape suivante.</li> <li>Régler la position de la valve de contrôle du gaz à OUVERT.</li> <li>Mettez l'appareil sous tension.</li> <li>Réglez le thermostat à la température désirée.</li> <li>Si l'appareil ne se met pas en marche, suivez les instructions intitulées COMMENT COUPER L'ADMISSION DE GAZ DA L'APPAREIL et appelez un technicien qualifié ou le fournisseur de gaz.</li> </ol>
TO TURN OFF GAS APPLIANCE	COMMENT COUPER L'ADMISSION DE GAZ DE L'APPAREIL
<ol style="list-style-type: none"> <li>Set the thermostat to lowest setting.</li> <li>Turn off all electric power to the appliance by selecting main power switch to OFF.</li> <li>Turn gas control valve to CLOSE.</li> </ol>	<ol style="list-style-type: none"> <li>Réglez le thermostat à la température la plus basse.</li> <li>Coupez l'alimentation électrique de l'appareil s'il faut procéder à l'entretien.</li> <li>Régler la position de la valve de contrôle du gaz à FERMER.</li> </ol>

Start-up Checklist	Check
Followed lighting and shutting down procedure.	<input type="checkbox"/>
Tested the ignition safety shutoff function (see <a href="#">Testing the ignition safety shutoff on page 62</a> ).	<input type="checkbox"/>
Checked the appliance's fuel source, and if necessary, performed a fuel conversion using the appropriate P-kit.	<input type="checkbox"/>

Start-up Checklist	Check
Performed gas pressure test by <a href="#">measuring the inlet gas pressure</a> .	<input type="checkbox"/>
Tested efficiency of the appliance and made necessary adjustments by <a href="#">Performing a combustion test and adjustment</a> .	<input type="checkbox"/>
Tested the low water cutoff function to check that the LWCO sensor is working. See <a href="#">Testing the LWCO function on page 68</a> .	<input type="checkbox"/>
Tested the high limit temperature function to check that the High limit temperature sensor is working. See <a href="#">Testing the Hi-Limit cutoff temperature function on page 69</a> .	<input type="checkbox"/>

## 6.2 Testing the ignition safety shutoff

To test the ignition system safety shutoff function:

1. With the boiler in operation, shut off the gas control valve directly outside the boiler case.
2. Ensure that the boiler has purged, attempted to re-light three times, has shut off and the appropriate error information is displayed on the controller.
3. The error is displayed after testing the ignition safety shutoff.
4. To restart the boiler, reset the power or on the touchscreen controller tap  (Status) > **Clear Errors** > **Yes**.

## 6.3 Commissioning

The appliances are factory calibrated to operate with natural gas (or propane if desired) at sea level. The gas-air ratio or zero-offset adjustment screw may need adjusting to attain optimum combustion results. Note that only qualified technicians using properly functioning and calibrated combustion analyzing equipment should perform a mixture adjustment.

## 6.3.1 Checking a boiler's fuel source



### Danger

Operating any IBC appliance using a fuel other than the fuel listed on its rating plate is prohibited. Failure to follow the instructions on converting to alternate fuels can result in a fire or explosion, which may cause property damage, personal injury, or loss of life.

Check the rating plate of the appliance to ensure it is configured for the fuel you are using. If the fuel is incorrect for the appliance, a conversion kit must be ordered from IBC and the gas valve adjusted accordingly. Failure to perform the required fuel conversion can result in an immediate hazard.

This boiler model can burn either natural gas or propane if equipped with the correct fuel-air metering device. Examine the rating plate of the boiler to ensure it is configured for the fuel you are using. For example, if the boiler is configured for natural gas, but needs to be converted to propane, use the conversion kit (sold separately by IBC) to install the appropriate fitting(s) and adjust the gas valve accordingly. See [Table 10](#) for the required conversion kit.

The touchscreen controller will automatically detect the installation's altitude and make the appropriate adjustments to operate the boiler up to 4,500 feet in elevation without de-rating. The boiler will automatically de-rate at altitudes above 4,500 feet.

### Fuel conversion kit numbers

Compare the boiler model number with the Kit # found in the table below:

Model Number	Natural Gas to Propane	Propane to Natural Gas
VX 110	P-1500	P-1501
VX 150	P-1502	P-1503
VX 199	P-1504	P-1505

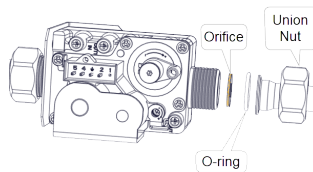
**Table 10** Fuel Conversion Kits

## 6.3.2 Performing a fuel conversion

You must be a qualified heating professional to perform this procedure. In this fuel conversion, you will be replacing the orifice, located between the gas valve and gas line to the fan, with the fuel-appropriate orifice supplied in the kit.

**To perform a fuel conversion:**

1. Turn off the gas supply.
2. Change the gas fuel source.
3. Before you disconnect the electrical power, shut off the gas supply at the gas shut-off valve.
4. Disconnect the electrical power.
5. Remove the front door cover.
6. Remove the top panel of the appliance to access the gas valve.

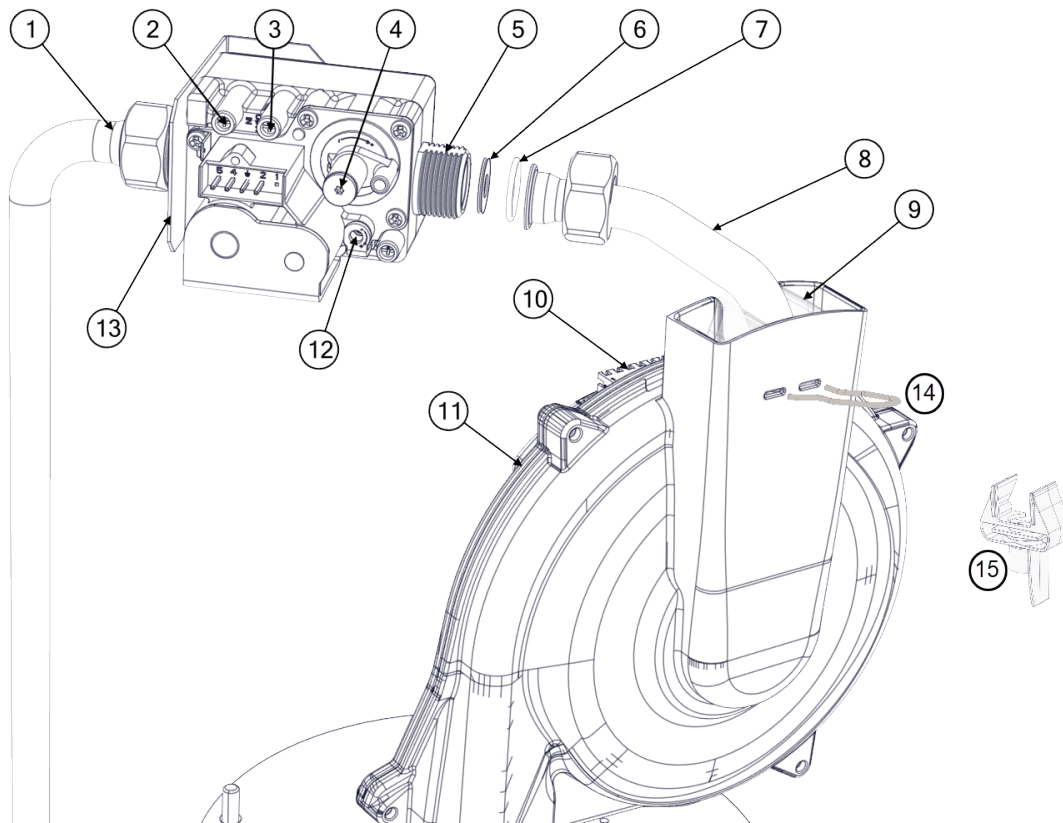


7. Undo the union nut connecting the gas line to the gas valve (gas valve outlet).
8. Remove the O-ring and orifice.
9. Place the fuel-appropriate orifice (supplied in the kit) into the O-ring, and re-install.
10. Tighten the union nut at the gas valve outlet.
11. Reinstall the top panel.
12. Restore the gas supply by opening the gas control valve and reconnect the electrical power.
13. Perform a combustion test (see instructions below).
14. When the boiler is running, use an approved leak detection solution to soap test all joints.
15. Place conversion labels associated with the new fuel onto the boiler.

**6.3.3 Adjusting the gas valve****Danger**

Making adjustments to the IBC gas valve without a properly calibrated gas combustion analyzer and by persons who are not trained and experienced in its use is forbidden. Failure to use an analyzer can result in an immediate hazard.





- ① Gas valve inlet
- ② Inlet gas pressure test port
- ③ Manifold gas pressure test port
- ④ Low fire adjustment (offset pressure)
- ⑤ Gas valve outlet
- ⑥ Orifice
- ⑦ O-ring
- ⑧ Gas valve outlet pipe
- ⑨ Fan inlet
- ⑩ Fan plug
- ⑪ Fan

⑫	High Fire Adjustment
⑬	Gas valve support bracket
⑭	Venturi insert clip
⑮	Venturi insert

Figure 42 Gas valve and fan components

### 6.3.3.1 Measuring the inlet gas pressure

To perform a gas pressure test, you will need to use a Torx 15 screwdriver and a manometer.

1. Shut off the gas supply. You will be measuring the inlet gas supply from the test port (see [Figure 43](#)). Do not perform a test from the manifold gas pressure test port.
2. On the gas valve, loosen the inlet gas pressure test port screw counter-clockwise.

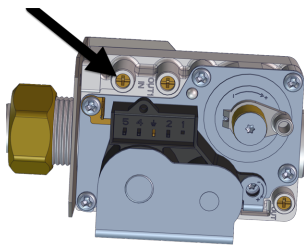


Figure 43 Location of inlet gas pressure test port

3. Attach the manometer to the inlet gas pressure test port.
4. To measure the inlet gas pressure, switch on the gas supply.
5. When the boiler is operating at high fire, measure the gas pressure. Ensure that you have a load configured (reset heating, set point, or DHW). This load should be large enough to allow the boiler to operate at high fire for over 10 minutes.

The gas pressure for natural gas should be around 7" wc at high fire and 11" wc for propane.

6. After completing the inlet gas pressure test, switch off the gas supply.
7. Remove the manometer from the inlet gas pressure test port.
8. Tighten inlet gas pressure test port screw.
9. Switch on the gas supply, and return the boiler to normal operation.

### 6.3.3.2 Performing a combustion test and adjustment

The High Fire (gas-air ratio) adjustment screw will have to be adjusted to attain optimum combustion results whenever fuel conversion is undertaken, however, no mixture adjustment must be performed unless done by a qualified technician using properly functioning and calibrated combustion analyzing equipment.

1. Turn on the boiler's external gas shut-off valve.
2. Give the boiler a call for heat.
3. To run the boiler at high fire, you can set the heat-out value in Test Operation mode to the maximum MBH for the boiler. To do this, on the controller, go to ●●● > **Test Operation** > In the **Fan Test: Heat Out** field, tap **0 MBtu**, then enter the maximum MBH.

When the boiler reaches high fire, insert the combustion analyzer test probe into the flue gas test port. Then verify that the CO<sub>2</sub> reading is within the combustion test targets at [Table 11](#) values.

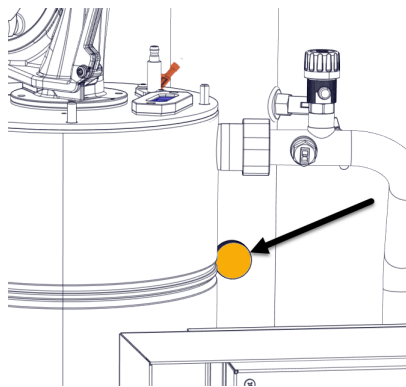


Figure 44 Flue gas test port

4. Adjust the high fire according to values in [Table 11](#) using a Torx 15 screwdriver. Turn the screwdriver clockwise no more than a maximum of one full rotation at a time to raise the CO<sub>2</sub>% (to richen). Turn counter-clockwise no more than a maximum of one full rotation at a time to lower CO<sub>2</sub>%.
5. Set the heat-out value in Test Operation mode to the minimum MBH for the boiler. To do this, go to ●●● > **Test Operation** > In the **Fan Test: Heat Out** field, tap **0 MBtu**, then enter the minimum MBH.
6. Adjust the low fire according to values in [Table 11](#) using a Torx 15 screwdriver. Turn the screwdriver clockwise to raise the CO<sub>2</sub>% (to richen). Turn counter-clockwise to lower CO<sub>2</sub>%. Start with 1/8 of a turn until you see the analyzer measure a change then only make 1/16 adjustments. If changing direction on this adjustment you may notice a significant backlash.

7. Check the results and confirm the correct settings when you return the boiler to high fire, and then to low fire.

**Note**

Click the gas meter to confirm full maximum rating plate input.

8. To exit the **Test Operation** screen, select **Back**.
9. Remove the call for heat.
10. If a manometer is connected to the gas valve inlet gas pressure port:
  - a. Turn off the gas supply at the external gas shut-off valve.
  - b. Disconnect the manometer.
  - c. Tighten the inlet pressure port screw with a Torx 15 screwdriver.
11. Remove the analyzer probe, and install the test port plug.
12. Turn on the gas supply shut off valve.

Fuel	High fire		Low fire		CO max PPM
	Range %	Target %	Range %	Target %	
Natural Gas	9.0 - 10.0	9.5	8.2 - 9.2	8.7	<150
Propane	10.3 - 11.3	10.8	9.3 -10.3	9.8	< 250


**Table 11** Combustion test target ranges - CO<sub>2</sub> / Maximum CO

### 6.3.4 Testing the LWCO function

The low water cutoff (LWCO) function provides continuous protection against low water in the boiler. If the SIM detects low water, the boiler enters a lockout state. Perform the test to ensure that the LWCO sensor is functioning.

1. Press and hold the **LWCO Test** button for **5 seconds** (located on top of the electrical box).

A message on the screen indicates that the boiler is in lockout mode.

2. Go to  > **SIM Menu** > **LWCO Test** > Read the instructions.
3. On the touchscreen controller, select the **Reset** button.

The message: "The SIM Module has been reset" is displayed.

4. Tap **Close** > **Back** to exit the test.

## 6.3.5 Testing the Hi-Limit cutoff temperature function

The hi-limit temperature function monitors the maximum supply temperature set in the safety ignition module (SIM). If the water temperature exceeds the hi-limit temperature, the boiler goes into a lockout condition, requiring a manual reset. Perform the test to ensure that the water temperature sensor is functioning.

### To test the Hi-limit temperature function:

1. Go to  > **SIM Menu** > **Hi-Limit Test** > Read the instructions.

You will need to enter a cutoff temperature below the actual supply temperature value currently displayed. For example, if the Supply Temp. value is 180°F, enter 170°F in the Cut Off Temp. box.

2. In the **Cut-Off Temp.** field, enter a number value > **OK**.

The message: "Hi-Limit Detected" is displayed.

3. To reset the boiler, select the **Reset** button. The cutoff value reverts to normal upon reset.

The message: "The SIM module has been reset" is displayed.

4. Tap **Close** > **Back** to exit the test.

Intentionally left empty

## 7.0 Service and maintenance

---

Inspection of the boiler is to be performed annually by a qualified service technician.



### Caution

The owner is responsible for general care of the boiler. Improper maintenance of the boiler may result in a hazardous condition.

### 7.1 Maintenance checklist for homeowner

Maintenance Required	Frequency	Check
Inspect system for unusual noises. Call your local heating contractor for service if needed	As needed	<input type="checkbox"/>
Keep vent terminals clear of obstructions (snow, dirt, etc.).	As needed	<input type="checkbox"/>
Keep combustible materials and flammable liquids and vapors away from the boiler.	As needed	<input type="checkbox"/>
Inspection of the boiler is to be performed annually by a qualified service technician.	Annually	<input type="checkbox"/>

### 7.2 Maintenance checklist for heating contractor



### Caution

Label all wires prior to disconnection when servicing controls. Wiring errors can cause improper and dangerous operation.

Maintenance Required	Check
Remove any obstructions (e.g. leaves, dust, other debris) from vent terminals	<input type="checkbox"/>
Check and clean or replace intake air filters or screens as required.	<input type="checkbox"/>
Check for holes or leaks in venting. Replace venting as needed.	<input type="checkbox"/>
Examine for any signs of moisture caused by sweating intake air pipes; insulate as required.	<input type="checkbox"/>
Ensure proper resealing or re-installation of venting on each servicing.	<input type="checkbox"/>
Check the pressure switch tubing for signs of brittleness or cracks. Replace using IBC part <a href="#">P-382</a> .	<input type="checkbox"/>

## 7.2.1 Touchscreen boiler controller

Maintenance Required for Boiler Controller	Frequency	Check
Check that boiler operation is consistent with the steps in the Touchscreen Boiler Controller Manual.	Annually	<input type="checkbox"/>
Check that water temperature targets and setpoint is satisfactory and have not been adversely amended.	Annually	<input type="checkbox"/>
Check the operating history using the boiler's Logs menu and Error Logs menu.	Annually	<input type="checkbox"/>

The controller tracks the duty cycle of the boiler in each of the 4 loads separately. This information can be used to adjust the water temperatures of each load.




### Caution

The owner is responsible for general care of the boiler. Improper maintenance of the boiler may result in a hazardous condition.



## 7.2.2 General boiler maintenance

Boiler Component	Maintenance Required	Frequency	Check
Condensate trap	Remove and clean annually (see <a href="#">Cleaning the condensate trap on page 83</a> ). Ensure that the trap has been re-filled completely before firing the boiler.	Annually	<input type="checkbox"/>
	If condensate neutralization is used, check the pH level of condensate discharge.	Annually	<input type="checkbox"/>
Burner	<div style="border: 1px solid orange; padding: 5px;">  <p><b>Warning</b></p> <p>When removing the burner for inspection or boiler servicing, examine the sealing gaskets and replace if damaged. Upon re-assembly, test all sealing areas to ensure there is no leakage of combustible gas/air premix.</p> </div>	As needed	<input type="checkbox"/>
	<p>Remove the burner to inspect for extent of fouling (see <a href="#">Replacing the burner on page 81</a>.</p> <ol style="list-style-type: none"> <li>a. Wash the burner from outside with a domestic water pressure, and dry using compressed air.</li> <li>b. Evaluate the magnitude of clearing required, and establish a reasonable burner inspection schedule. Some boiler / locations may call for annual service, others showing clean burners will only need attention every 2 – 5 years.</li> <li>c. Reassemble. Visually inspect the burner through sight glass. Ensure the flame is stable, without excessive fluttering. Normal flame pattern is evenly distributed over the burner surface.</li> </ol>		
	If the burner is operating improperly, remove and clean or replace. Use a CO <sub>2</sub> analyzer to determine proper combustion. See <a href="#">Combustion test target ranges - CO<sub>2</sub> / Maximum CO on page 68</a> for correct values.	Annually	<input type="checkbox"/>
Heat exchanger	In areas of poor gas quality, there may be a build-up of black plaque (typically sulfur). Other fouling agents include: airborne dust, debris and volatiles.	Annually	<input type="checkbox"/>
	With the burner removed, examine the heat exchanger for signs of contamination and clean if necessary.		



Boiler Component	Maintenance Required	Frequency	Check
<b>Boiler Pump</b>	Check that the pump is on in normal operation and that the water $\Delta T$ is reasonable for a given firing rate.	Annually	<input type="checkbox"/>
<b>Gas Piping</b>	Check for damage or leaks and repair as needed.	Annually	<input type="checkbox"/>
<b>Boiler treatment</b>	Check consistency of any boiler treatment used, for appropriate mixture. Chemical inhibitors are consumed over time, lowering their density.	Annually	<input type="checkbox"/>
	Verify proper operation after servicing.	Annually	<input type="checkbox"/>

**Caution**

Installers should inquire of local water purveyors as to the suitability of their supply for use in hydronic heating systems.

If water quality is questionable, a local water treatment expert must be consulted for testing, assessment and, if required, treatment.

Alternatively, water or hydronic fluid of known quality can be brought to the site.

Boiler Component	Maintenance Required	Frequency	Check
Freeze protection	<p>Check the effectiveness of the glycol in the system. Use only antifreeze made specifically for hydronic systems. Inhibited propylene glycol is recommended. Antifreeze volume must be between 25% and 50% of the total volume of water in the system.</p> <div data-bbox="451 552 1130 1171" style="border: 1px solid orange; padding: 10px;"> <p> <b>Warning</b></p> <p>Do not use automotive-type ethylene or other types of automotive glycol antifreeze, or undiluted antifreeze of any kind. This may result in severe boiler damage. It is the responsibility of the Installer to ensure that glycol solutions are formulated to inhibit corrosion in hydronic heating systems of mixed materials. Improper mixtures and chemical additives may cause damage to ferrous and non-ferrous components as well as non-metallic, wet components, normally found in hydronic systems. Ethylene glycol is toxic, and may be prohibited for use by codes applicable to your installation location. For environmental and toxicity reasons, IBC recommends only using non-toxic propylene glycol.</p> </div>	Annually	<input type="checkbox"/>
Water	<div data-bbox="451 1192 1130 1612" style="border: 1px solid yellow; padding: 10px;"> <p> <b>Caution</b></p> <p>Installers should inquire of local water purveyors as to the suitability of their supply for use in hydronic heating systems.</p> <p>If water quality is questionable, a local water treatment expert must be consulted for testing, assessment and, if required, treatment.</p> <p>Alternatively, water or hydronic fluid of known quality can be brought to the site.</p> </div>		<input type="checkbox"/>
	Check water pressure and temperature.	Annually	<input type="checkbox"/>
	There should be no noticeable change if boiler is functioning normally. Check for any noise in the system.		<input type="checkbox"/>
	Check water piping for damage or leaks and repair as needed.	Annually	<input type="checkbox"/>

Boiler Component	Maintenance Required	Frequency	Check
	<p>Check the water pressure. Pressure should be stable when the boiler is firing and the water temperature is rising.</p> <p>If pressure rises sharply, consider replacement of expansion tank.</p>	Annually	<input type="checkbox"/>
	<p>Check also for noise at high fire, which may signal water quality problems.</p>	Annually	<input type="checkbox"/>
	<p>Water chemistry shall be of a quality generally accepted as suitable for hydronic applications.</p>	Annually	<input type="checkbox"/>
	<p>Ensure any direct "city fill" water connections are left in the closed position to minimize exposure to leaks and flooding.</p>	Annually	<input type="checkbox"/>
<b>Relief valve - maintenance and testing</b>	<p>The relief valve manufacturer requires that under normal operating conditions a "try lever test" must be performed every two months.</p> <p>Under severe service conditions, or if corrosion and/or deposits are noticed within the valve body, testing must be performed more often. A "try lever test" must also be performed at the end of any non-service period.</p>	Annually	<input type="checkbox"/>

Test at or near the maximum operating pressure by holding the test lever fully open for at least 5 seconds to flush the valve seat free of sediment and debris. Then release the lever and allow the valve to snap shut.

If the lever does not activate, or if there is no sign of discharge, discontinue use of equipment immediately and contact a licensed contractor or qualified service personnel.

If the relief valve does not completely seal, and fluid continues to leak from the discharge pipe - perform the test again to try and flush any debris that may be lodged in the valve. If repeated tries fail to stop the leakage, contact a licensed contractor or qualified service personnel to replace the valve.

While performing a "try lever test", a quantity of heat transfer fluid will be discharged from the piping system and the system pressure will drop. This fluid must be replaced. To refill and pressurize your system, we recommend using a system pressurization appliance such as an Axiom

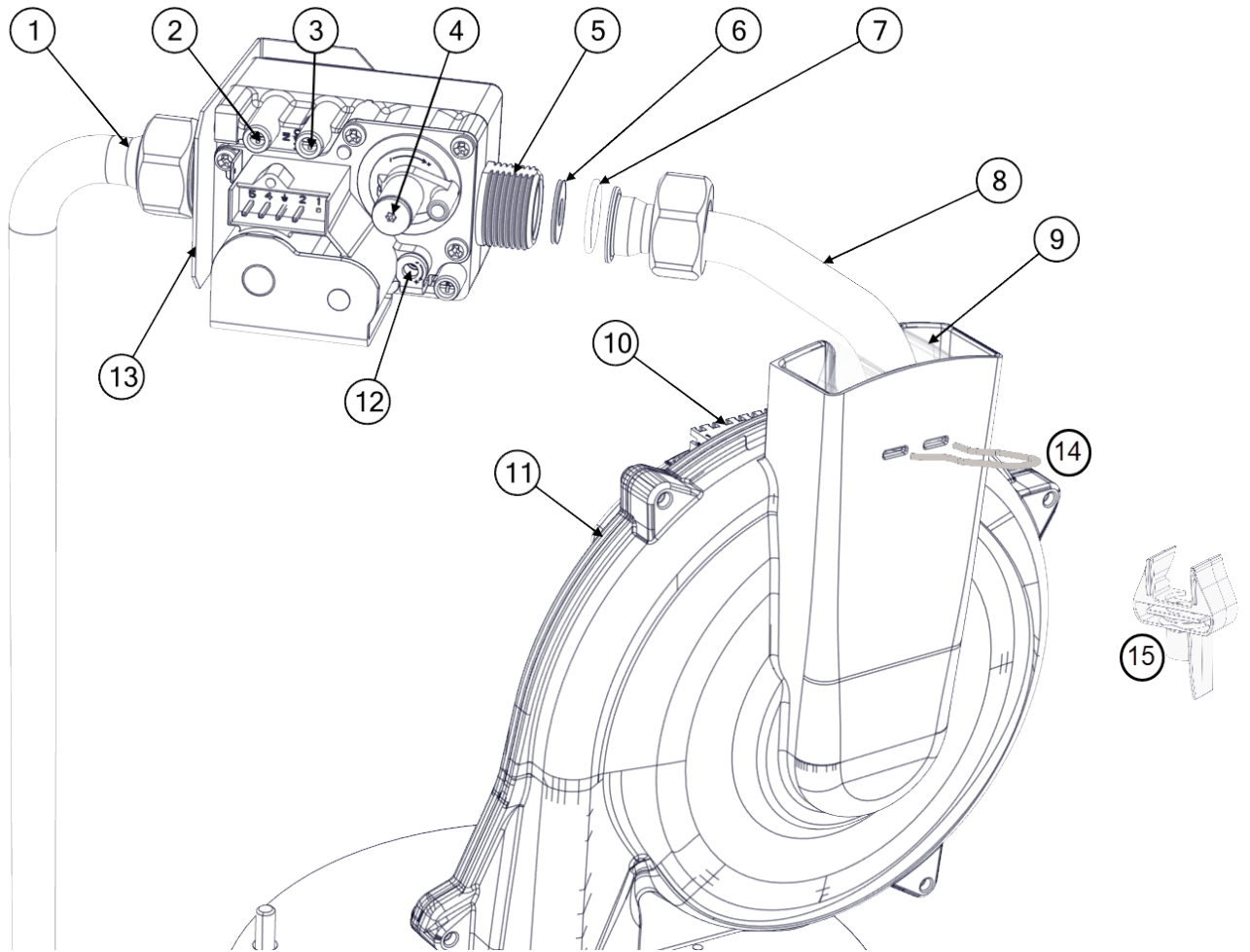
---

Boiler Component	Maintenance Required	Frequency	Check
	Industries model SF100 series. Capture the discharged fluid in a container and recycle it by returning it to the system feeder appliance. This is particularly important when your system contains treatment chemicals or glycol solutions. If the system employs plain water, the boiler auto fill valve must be turned on in order to recharge the lost fluid.		

## 7.3 Replacing the fan, gas valve, and burner

This section documents the following maintenance procedures:

- » Replacing the fan
- » Replacing the gas valve
- » Replacing the burner.



- ① Gas valve inlet
- ② Inlet gas pressure test port
- ③ Manifold gas pressure test port
- ④ Low fire adjustment (offset pressure) - Do not adjust in the field
- ⑤ Gas valve outlet
- ⑥ Orifice
- ⑦ O-ring
- ⑧ Gas valve outlet tube
- ⑨ Fan inlet

⑩	Fan plug
⑪	Combustion Fan
⑫	High Fire Adjustment
⑬	Gas valve support bracket
⑭	Venturi insert clip
⑮	Venturi insert

Figure 45 Gas valve and fan components

### 7.3.1 Replacing the fan

1. Turn off the electric power and gas supply to the boiler.
2. Ensure the boiler cools down to the surrounding temperature. Do not drain the boiler unless freezing conditions are expected during this procedure.
3. Remove the front cover, and then remove the four Torx 20 head screws on the top panel of the boiler.

A ladder or step may be required to have a clear vertical view of the work area. Do not attempt to reach from the front without a clear view, as damage to connectors, screws or refractory may occur.

4. Undo the union nut at the gas valve outlet.
5. Carefully remove the O-ring and orifice for re-installation later.
6. Remove the electrical connection ⑩ to the fan.
7. Move the gas valve outlet tube ⑧ away from the gas valve.
8. To remove the fan, unscrew the two bolts at the base of the fan, and retain with the washers and fan gasket.
9. Carefully lift and remove the fan from the boiler case.
10. From the fan, remove the venturi insert clip ⑭ (with a flathead screwdriver) and the gas valve outlet tube ⑧. Retain for reassembly.
11. From the fan inlet ⑨, remove the venturi insert ⑮.
12. Remove the fan gasket.
13. Position the fan gasket (supplied in kit) onto the new fan, so that the holes align.
14. Secure the new fan onto the heat exchanger lid with bolts and washers.
15. Ensure that the venturi insert is in place.

16. Insert the gas valve outlet pipe and venturi clip.
17. Reinstall the components in reverse order. Upon reassembly, ensure that all O-rings and gaskets are correctly positioned.
18. Check for leaks at the gas valve outlet and at the connection point between the fan and the heat exchanger lid.

### 7.3.2 Replacing the gas valve

1. Turn off the electric power and gas supply to the boiler.
2. Ensure that the boiler cools down to the surrounding temperature.
3. Remove the front cover, and then remove the four Torx 20 head screws on the top panel of the boiler.

A ladder or step may be required to have a clear vertical view of the work area. Do not attempt to reach from the front without a clear view, as damage to connectors, screws or refractory may occur.

4. Remove the electrical connection **10** to the fan.
5. Move the gas valve outlet tube **8** away from the gas valve.
6. Unscrew the top union nut of the flexible pipe attached to the gas valve/ bracket. Retain the gasket.
7. Push the flexible pipe to the side.
8. To remove the gas valve, undo the union nut at the gas valve outlet.
9. Carefully remove the O-ring and orifice for re-installation later.
10. Install the new gas valve, tightening the union nut on the gas valve outlet with the O-ring and orifice in place.
11. Reinstall the components in reverse order. Upon reassembly, ensure that all O-rings and gaskets are correctly positioned.
12. Before restoring the boiler to normal operation, check for leaks at the gas valve inlet .
13. With the boiler operating, check for leaks at the gas valve outlet.
14. Tune the gas valve. For instructions, see [Adjusting the gas valve on page 64](#).



## 7.3.3 Replacing the burner



### Warning

The IBC heat exchanger has a small amount of combustion chamber insulation (refractory), which contains ceramic fibers.

When exposed to extremely high temperatures, the ceramic fibers that contain crystalline silica can be converted into cristobalite, classified as a possible human carcinogen.

Avoid disturbing or damaging the refractory. If damage occurs, contact the factory for directions.

Avoid breathing and contact with skin and eyes and follow these precautions:

1. For conditions of frequent use or heavy exposure, respirator protection is required. Refer to the "NIOSH Guide to the Selection and Use of Particulate Respirators Certified under 42 CFR 84" for selection and use of respirators certified by NIOSH.

For the most current information, NIOSH can be contacted at 1-800-356-4676 or on the web at [www.cdc.gov/niosh](http://www.cdc.gov/niosh).

2. Wear long sleeved, loose fitting clothing, gloves and eyes protection.
3. Assure adequate ventilation.
4. Wash with soap and water after contact.
5. Wash potentially contaminated clothes separately from other laundry and rinse washing machine thoroughly.
6. Discard used insulation in an air tight plastic bag.

NIOSH stated first aid:

- » Eye contact - Irrigate and wash immediately.
- » Breathing - Provide fresh air.

1. Turn off the electric power and gas supply to the boiler.
2. Remove the front cover, and then remove the boiler's top panel by removing the four Torx head screws on the top panel of the boiler.



### Warning

Wear a suitable protective mask to avoid ingesting particles from the refractory.

3. Remove the electrical connection from the gas valve.
4. Undo the union nut at the gas valve outlet.
5. Carefully remove the O-ring and orifice for re-installation later.

6. Remove the electrical connection to the fan.
7. For instructions on removing the fan, see [Replacing the fan on page 79](#).
8. Remove the ignitor cables (green and red).
9. Remove the four (4) nuts securing the lid to the heat exchanger. The burner is attached to the underside of the heat exchanger lid.
10. Carefully lift the lid upwards away from the studs. The gasket/refractory/burner should stay with the lid as it is removed.
11. Remove the screws securing the ignitor, and then remove the ignitor and ignitor gasket.
12. Remove the refractory by sliding it over the burner.
13. Turn the heat exchanger lid over.
14. Remove the screws securing the burner to the heat exchanger lid, and remove the burner and gasket. The burner gasket will likely be damaged during removal, and will need to be replaced.
15. Install the new burner and gasket, ensuring that all screws are tightened evenly by repeating the tightening sequence a few times as shown in the images below.
16. Reinstall the refractory. Carefully slide it over the burner all the way to the lid, ensuring that the openings for the ignitor, view port and heat exchanger studs are aligned correctly.
17. Reinstall the ignitor gasket and ignitor with two screws.
18. Re-install the lid with burner and gasket/refractory assembly. Ensure that you tighten each nut evenly by following the order indicated in the pattern below.
19. Re-install the remaining components in reverse order.
20. Turn on the electric power and gas supply to the boiler.
21. After firing the boiler, check for leaks at the gas valve inlet and at the connection between the fan and the heat exchanger lid (if the fan was removed).
22. Check the gas valve tuning, and adjust as needed.

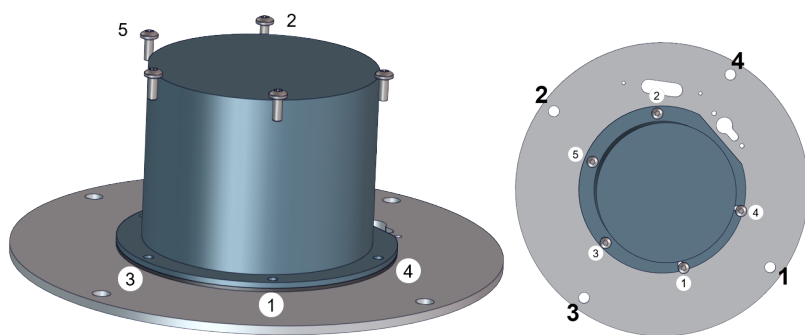


Figure 46 Order for tightening screws on burner and nuts on the lid

## 7.4 Cleaning the sight glass

When a new boiler is first fired up, gases in the system can cloud up the viewport. If so, you will need to clean the sight glass to view the presence of a flame.

1. Turn off the electric power and gas supply to the boiler.
2. Remove the two screws holding the sight glass in place.
3. Remove the four components of the sight glass and wipe the glass clean.
4. Before you reassemble the sight glass, check that the gaskets are in good condition.
5. Assemble the components (see image below), by first inserting the rubber gasket ③ inside the refractory top ④ followed by the glass ②, and then the graphite gasket ①.

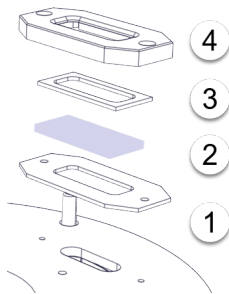


Figure 47 Four components of the sight glass

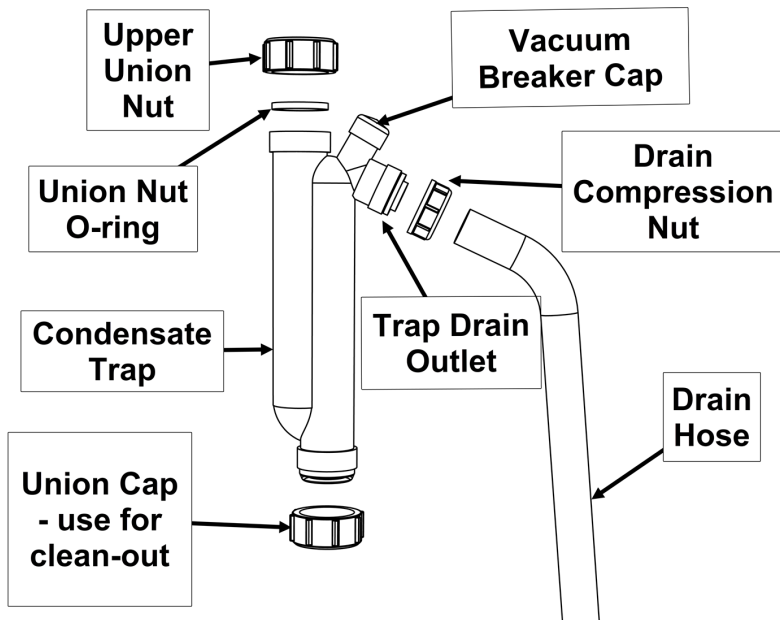
6. Replace onto the lid, and fasten with the two screws.

## 7.5 Cleaning the condensate trap



### Warning

If condensate neutralization is used, check the pH level of condensate before and after neutralization to verify effectiveness and ensure that the discharge has neutral pH levels. Never operate the boiler unless the trap is filled with water. Failure to comply will result in severe personal injury or death.

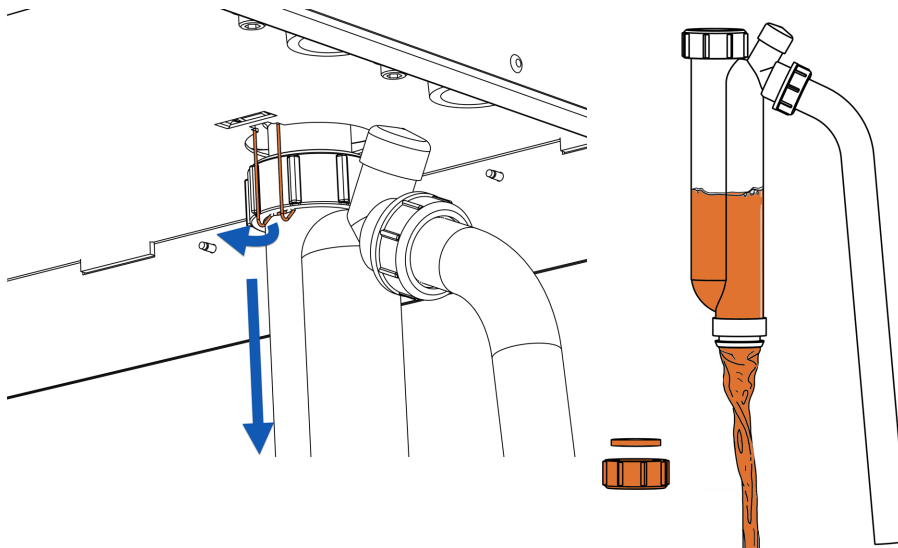


Condensate traps should be checked every year, cleaned and refilled as necessary. Before cleaning the condensate trap, you must turn off the power to the boiler, and allow it to cool down.

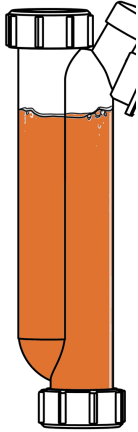
**Important:** Installers or service contractors should ensure that the end user is instructed on cleaning and refilling the trap.

**1.** Pull back the clip to release the trap, and pull the trap downwards to remove.

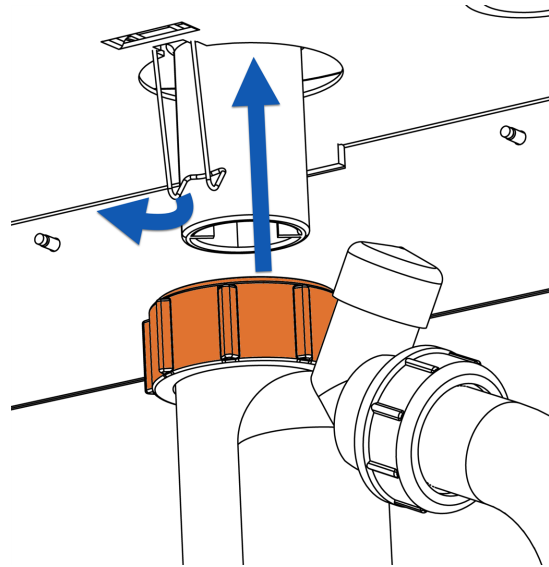
**2.** Unscrew the condensate union cap at the base of the trap, empty the water and flush the trap with water.



- 3.** Fill the condensate trap to the top with water and replace the union cap and gasket.



- 4.** Slide the trap over the boiler drain outlet, making sure it is secured by the clip, and tighten the upper union nut to ensure an airtight seal.



Intentionally left empty

## 8.0 Troubleshooting

---

This section includes various conditions as well as possible solutions. Often, a problem can be identified and solved through basic checks: confirming the electrical power supply, gas flow and resetting the thermostat control. Below are some common troubleshooting issues including fixes.

Preliminary checks	Electronic component checks	Symptoms, Diagnoses and Fixes
<p><b>1</b></p> <ol style="list-style-type: none"><li>1. Confirm power to the boiler: check that the touchscreen controller is on (for example, display is lit.)</li><li>2. Check the controller's display for diagnostic error conditions.</li><li>3. Check that the boiler is not in a safety lockout.</li><li>4. Ensure wiring is clean and secure.</li><li>5. Check that gas is reaching the unit.</li><li>6. Confirm that the water system is properly charged within specifications, and that the pump is serviceable.</li></ol>	<p><b>2</b></p> <p>See sections on checking the status of various control circuit components such as:</p> <ul style="list-style-type: none"><li>- Temperature sensors - testing and measuring.</li><li>- Fan: checking fan cable.</li><li>- Water pressure sensor: checking water pressure sensor</li><li>- Safety ignition module:<ul style="list-style-type: none"><li>- Checking LED status:</li><li>- Low water cutoff error</li><li>- Hi-limit temperature error</li></ul></li></ul>	<p><b>3</b></p> <p>See sections covering diagnoses and fixes for the controller's error messages including:</p> <ul style="list-style-type: none"><li>- Ignition issues</li><li>- Cycling issues</li><li>- Temperature issues</li><li>- Miscellaneous issues</li></ul>

## 8.1 Electronic components

This section details the method for troubleshooting the non-standard electronic components on the boiler.

### 8.1.1 Temperature sensors

The resistance of the temperature sensors varies inversely with temperature. To test, measure the temperature of the sensed environment and compare with the value derived from the measurement of the resistance (obtained by connecting a good quality test meter capable of measuring up to 5,000 k $\Omega$  (5,000,000 $\Omega$ ) at the controller end of the sensor lead).

To obtain a resistance reading, remove power to the boiler. For the supply water, return water, and vent temperature sensors, remove the wire leads by disconnecting their respective Molex connectors. Place multi-meter probes into the sensor's female Molex connector socket. Do not apply voltage to the sensor as damage may result.

The supply water and vent temperature sensors each contain two separate circuits. Test each pair. Both circuits must deliver accurate (although not necessarily identical) readings. Note that failures may occur only within certain temperature ranges.

Temp. °F/°C	Resist. Ω – Ohm	Temp. °F/°C	Resist. Ω – Ohm
0 / -18	85,362	100 / 38	5,828
5 / -15	72,918	105 / 41	5,210
10 / -12	62,465	110 / 43	4,665
15 / -9	53,658	115 / 46	4,184
20 / -7	42,218	120 / 49	3,760
25 / -4	39,913	125 / 52	3,383
30 / -1	34,558	130 / 54	3,050
35 / 2	29,996	135 / 57	2,754
40 / 4	26,099	140 / 60	2,490
45 / 7	22,763	145 / 63	2,255
50 / 10	19,900	150 / 66	2,045
55 / 13	17,436	155 / 68	1,857
60 / 16	15,311	160 / 71	1,689
65 / 18	13,474	165 / 74	1,538
70 / 21	11,883	170 / 77	1,403
75 / 24	10,501	175 / 79	1,281
80 / 27	9,299	180 / 82	1,172
85 / 29	8,250	185 / 85	1,073
90 / 35	7,334	190 / 88	983
95 / 35	6,532	195 / 91	903

**Table 12** Temperature sensor resistance values - 10K ohms

## 8.1.2 Fan

The fan is controlled via the SIM+ control. The SIM+ provides electronic commutating power to the fan motor coils determining the fan speed and power usage.

## 8.1.3 Water pressure sensor

The water pressure sensor ensures that there is adequate pressure in the heating system for safe operation. The pressure is displayed in PSI as the default. If the system pressure should drop below 8PSI the firing rate of the boiler is reduced. If the pressure drops to 4PSI or lower, the boiler will not fire.



Check the operation of the sensor by isolating the boiler from its system piping, and close the system fill valve, and then crack the pressure relief valve. The pressure displayed should reflect declining pressure. If it remains “fixed”, drain the boiler and replace the sensor, or dislodge any blocking debris from the sensor inlet channel and reinsert.

## 8.1.4 Safety and Ignition Module (SIM+)

The SIM+ is a safety control, certified to conform to the UL 60730-5-5 and ANSI Z21.20-2014 • CAN/CSA-C22.2 No. 60730-2-5-14 standards.

The module controls the boiler’s combustion fan, gas valve, sensors, safety and ignition functions including:

- » Direct spark automatic ignition
- » Flame detection and current measurement
- » Supply water temperature sensing
- » Flue gas temperature sensing
- » Supply water maximum temperature shutdown
- » Flue gas maximum temperature shutdown
- » Low water cut-off.

The SIM+ continuously communicates with the boiler’s main controller reporting sensor readings and status. The sensor readings and error status, if any are displayed on the boiler controller’s screen.

### 8.1.4.1 Table showing LED operating status

Its two status LEDs indicate the operating status as shown in the table below.




SIM Status Indicators			
LED 1	LED 2	State	Description, LED status indication
Rapid flash		Power up or resetting	startup checks and initialization
Off	Off	Standby	LED 1 Off=flame or sparking LED 2 = Burner-on call state
Off	On	Pre-purge or inter-purge	LED 1 Off=no flame or sparking LED 2 = Burner-on call state

SIM Status Indicators			
LED 1	LED 2	State	Description, LED status indication
On	On	Heating	LED 1 On = Flame detected LED 2 = Burner-on call state
Rapid flash	On	Igniting	LED 1 Flashing - Electrode sparking LED 2 = Burner-on call state
Off	Flashing	Lockout	Possible errors: <ul style="list-style-type: none"> <li>» An operating limit was exceeded</li> <li>» A sequence failed</li> <li>» An external sensor fault was detected.</li> </ul>
Flash alternately with LED 2	Flash alternately with LED 1	Fail-safe	An error was detected - the boiler requires a power cycle

**Table 13** SIM+ LED status Indicators


### 8.1.4.2 Resetting a boiler after a LWCO lockout



A boiler in a lockout condition due to a LWCO error will need to be reset.

1. Go to  > **Clear Errors** > **Yes**.
2. Check that there is enough water in the system and that the boiler is pressurized.
3. To reset the boiler, go to  > **SIM Menu** > **LWCO Test** > **Reset** > **Yes**.
4. Run the boiler to ensure that the error has been cleared.
5. If the error persists, perform a LWCO test. Go to  > **SIM Menu** > **Hi-Limit Test** > Run the test to check if the low water cutoff sensor is opening.

### 8.1.4.3 Resetting a boiler after a hi-limit temperature lockout

A boiler in a lockout condition due to a hi-limit temperature error will need to be reset.

1. Go to  > **Clear Errors** > **Yes**.
2. Check that there is no air trapped in the system and that the boiler is pressurized.

3. To reset the SIM Module, go to  > **SIM Menu**> **Hi-Limit Test** > **Reset** > **Yes**.
4. Run the boiler to ensure that the error has been cleared.
5. If the error persists, perform a hi-limit test. Go to  > **SIM Menu**> **Hi-Limit Test** > Run the test to see if the hi-limit switch is operational. You can also perform this test for gasket blowouts.

## 8.2 Troubleshooting error messages



### Warning

Never attempt to repair the control module (circuit board). If the control module is defective, replace it immediately.

Errors shown on the touchscreen controller are described below as well as diagnoses and fixes.

The bottom line of the touchscreen displays the boiler's error status. The following colors represent the boiler's operating status:

- » Green – Normal
- » Yellow – Warning
- » Red – Alarm

The text inside the bar will indicate the specific warning or alarm. If there is more than one alarm present the text will scroll slowly through all current alarm conditions. Besides the errors listed below, see also [Miscellaneous touchscreen controller errors on page 93](#).

### 8.2.1 Maximum ignition trials error

Maximum Ignition Trials Error		
Issue	Diagnosis	Fix
Error – Ignition Failure after 3 tries boiler has failed to ignite on 3 successive attempts. Boiler is in lockout for 1 hour, then repeats 3-try sequence. Consult service technician if error recurs.	No spark when igniting. Ignition probe/flame sensor disconnected.	Check that ignition lead is secure at the control module and at the probe.
	Manual gas shutoff is closed or gas line not fully purged.	Check for gas flow. Open manual gas shutoff and reset boiler.
	Gap between ignition probe rods is too large or too small.	Adjust ignition probe rod gap between 1/8 and 3/16th (3.2-4.7 mm).

Maximum Ignition Trials Error		
Issue	Diagnosis	Fix
	Boiler ignites, but shuts off at the end of the ignition trial. Improperly grounded pressure vessel/burner or unserviceable ignition lead or spark module.	Ensure the pressure vessel is grounded. Check the ignition probe/flame sensor is electrically isolated from the vessel, and its ceramic insulator is intact. Replace ignition lead Replace spark module.

### 8.2.2 Hi Limit cut-off temperature error

Hi Limit cutoff temperature Error		
Issue	Diagnosis	Fix
Error – Water High-Limit Exceeded	Water temperature exceeds hi-limit. Boiler is in hard lockout mode.	See <a href="#">Resetting a boiler after a hi-limit temperature lockout on page 90</a> .

### 8.2.3 Low Water Cut-off error

Low Water Cutoff Error		
Issue	Diagnosis	Fix
Error - Low Water Cutoff	The Safety and Ignition module has detected a low water condition.	See <a href="#">Resetting a boiler after a LWCO lockout on page 90</a> .

### 8.2.4 Aux. Interlock 1 or 2

Aux. Interlock 1 or 2		
Issue	Diagnosis	Fix
Interlock 1 or 2 terminals are open.	Jumper lead is loose or compromised.	Replace the jumper lead.
	External safety is in an alarm state.	Inspect the external safety devices.

## 8.3 Miscellaneous touchscreen controller errors

Miscellaneous errors		
Issue	Diagnosis	Fix
“ Loop/Indoor Sensor”	The sensor plug is not engaged.	Check the P501 plug is fully engaged in the back of the controller board.
“Insufficient Air Flow”		
“Insufficient Water Pressure”		
“Unknown Error”	The sensor plug is not engaged.	Check the P501 plug is fully engaged in the back of the controller board.
	Temperature sensor input problem.	Test each temperature sensor for appropriate readings and Replace defective temperature sensor.
Error - Max. Inlet/Outlet Sensor Temp. Exceeded. > Check water flow Water temperature signal not within acceptable range. Potential flow or sensor failure. Consult service technician.	Current outlet temperature exceeds operating limit.	Check water flow.
	Defective or disconnected temperature sensor.	Check wiring to temperature sensor and control module.  Check temperature sensor.
Blank – screen dark, but fan running Indicative of power-surge damage to appliance		Check transformer; replace if damaged.
		Check circuit board for visible damage.
Controller is stuck in "service" mode after software update.	If update fails or no updates applied.	Restarting returns the boiler to normal operation.

### 8.3.1 Ignition issues

Ignition issues		
Issue	Diagnosis	Fix
Noisy spark when igniting	Ignition lead is not firmly connected.	Reconnect ignition lead.
	Contaminants/moisture on igniter probe/flame sensor.	Ensure probe is dry by re-running post-purge; otherwise, clean or replace igniter probe.
Boiler rumbles when igniting.	Fluctuating gas pressure/ gas pressure too high/too low.	Check CO <sub>2</sub> level via analyzer.
	Check for proper gas piping	Check pressure with manometer during ignition.
Boiler will not attempt to ignite. Fan and pump are operating normally.	No power to ignition control module.	Check system wiring.  Check air reference tubing.
	Igniter probe/flame sensor disconnected.	Reconnect probe.
	Defective Control Module.	Check ignition output from control module.
Boiler will not attempt to ignite. Fan and / or pump are off. Display not illuminated	No power to boiler.	Check line voltage.
	Defective transformer.	Check transformer. Reconnect or replace as needed.

## 8.3.2 Temperature issues

Temperature issues		
Issue	Diagnosis	Fix
Low heat	Operating temperature too low. Increase temperature target.	Increase temperature target.
	Priority parameters or load configuration improperly set up.	Review load configuration parameters.
	appliance undersized.	Refer to Load Calculation vs. Boiler Output.
	Air trapped within system.	Bleed system as required.
	Improper system piping.	Refer to recommended piping guidelines for the respective boiler model.
	System pump undersized.	Check pump manufacturer's data/check temp differential across heat exchanger.
	Poor gas:air mixing.	Check CO <sub>2</sub> level.
	Defective thermostat.	Refer to manufacturer's instructions.
	Obstruction in condensate drain.	Inspect and clean condensate drain.
	appliance cycling on operating/safety controls.	Check operation with Ohmmeter/Voltmeter.
System radiation undersized.	Check manufacturer's rating tables for capacity per foot.	
Temperature exceeds thermostat setting	Incorrect anticipator setting.	Check with Ammeter.
	Thermostat not level.	Check level.
One or more zones do not heat properly	Air trapped within zone(s) piping	Vent system/zone as required.
	Low radiation/ excessive heat loss.	Check actual length of pipe using radiation / heat loss calculation.
	Low flow rate to zone(s).	Check temperature drop across zone.
	Defective zone valve/ zone circulator.	Check operation per manufacturer's instructions.

### 8.3.3 Miscellaneous issues

Miscellaneous issues		
Issue	Diagnosis	Fix
Fumes and High Humidity	Improperly installed condensate trap	Refer to installation/operation instructions.
	Leak in vent piping	Inspect using soap solution.
	Flue gas leak within boiler	Visually inspect all mechanical connections.
'Ghost' call for heat.	Triac or 'Power-robbing' thermostat sending current to boiler.	Remove Therm. connections from boiler to confirm that stray voltage, or current induced in thermostat wiring, is source of nuisance signal. Replace the Power Robbing thermostat, isolate the thermostat with a relay or install a properly sized resistor (consult the thermostat manufacturer first then IBC for instructions).
Error: Water High Limit / Low Water Cutoff won't clear.	Boiler is in 1-hour safety lockout.	For instructions on clearing errors, see <a href="#">Resetting a boiler after a hi-limit temperature lockout on page 90</a> and <a href="#">Resetting a boiler after a LWCO lockout on page 90</a> .
DHW taking too long to heat.	Sensor may be under-reading actual water temp.	Check sensor engagement; note well is 15 cm / almost 6 inches deep and sensor must be fully set to back. Check programmed settings boiler temp set too close to the required DHW temperature.
Boiler output not modulating up to maximum despite target not being reached.	Possible flow issue: check for 35 or 40 °F temperature difference between boiler supply and return water temperatures (evokes electronic fence).	Confirm that primary pump is able to overcome head loss of boiler and primary loop piping at the required flow rate.
Primary Pump runs but load pumps do not.	Wiring not complete.	Supply power to the PV/L and PV/N terminals from the incoming power supply to the boiler. (Factory wired on boilers with a factory installed touchscreen controller)



## 8.3.4 Cycling issues

Cycling issues		
Issue	Diagnosis	Fix
Rapid Cycling	Improper values entered via keypad.	Check load maximum temps are above target temps, by ½ of the selected boiler differential. Ensure boiler differential is OK (16 - 30 °F is generally adequate)
	Excess condensate in venting.	Check venting slopes on horizontal runs. Look for sags.
	Obstruction in condensate trap.	Inspect and clean condensate trap.
	Improper vent length or improper slope to vent.	Check venting. Compare vent length and diameter.
	Incorrect settings or defective thermostat.	Check operation. Refer to manufacturer's instructions. Check setting with ammeter.
	Air in system or marginal water flow.	Bleed/purge system as required. Confirm adequate pump size and temp rise in the heat exchanger.
	Slow combustion air blower.	Check that CO <sub>2</sub> level is within specification.
	Dirty burner/heat exchanger.	Check pressure drop.
	Low water flow due to improper piping.	Refer to recommended piping for the respective boiler model.
	Low water flow due to undersized pump.	Check manufacturer's rating charts/check temperature differential across heat exchanger.
	Low water flow due to restrictions in water pipe.	Check temperature differential across zone/heat exchanger.
	Low radiation.	Check actual amount of radiation per zone and refer to manufacturer's rating tables.
	Appliance over-fired.	Check gas meter/check gas pressure with manometer/ check CO <sub>2</sub> level.
	Appliance Oversized.	Check load calculation vs. minimum boiler output.
Improperly set or defective controls.	Check operation with ohmmeter/voltmeter.	

Intentionally left empty

# Appendices

## Wiring diagrams

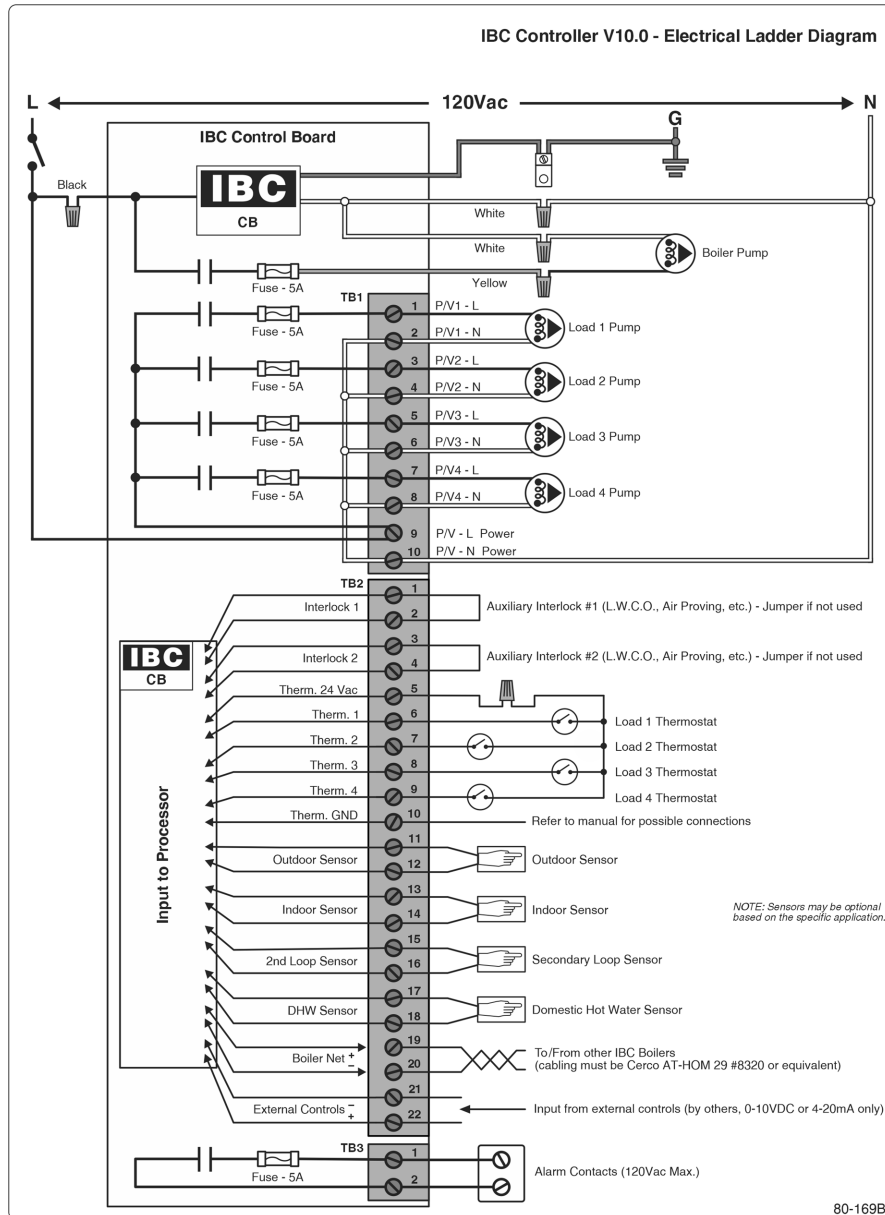


Figure 48 Controller electrical diagram

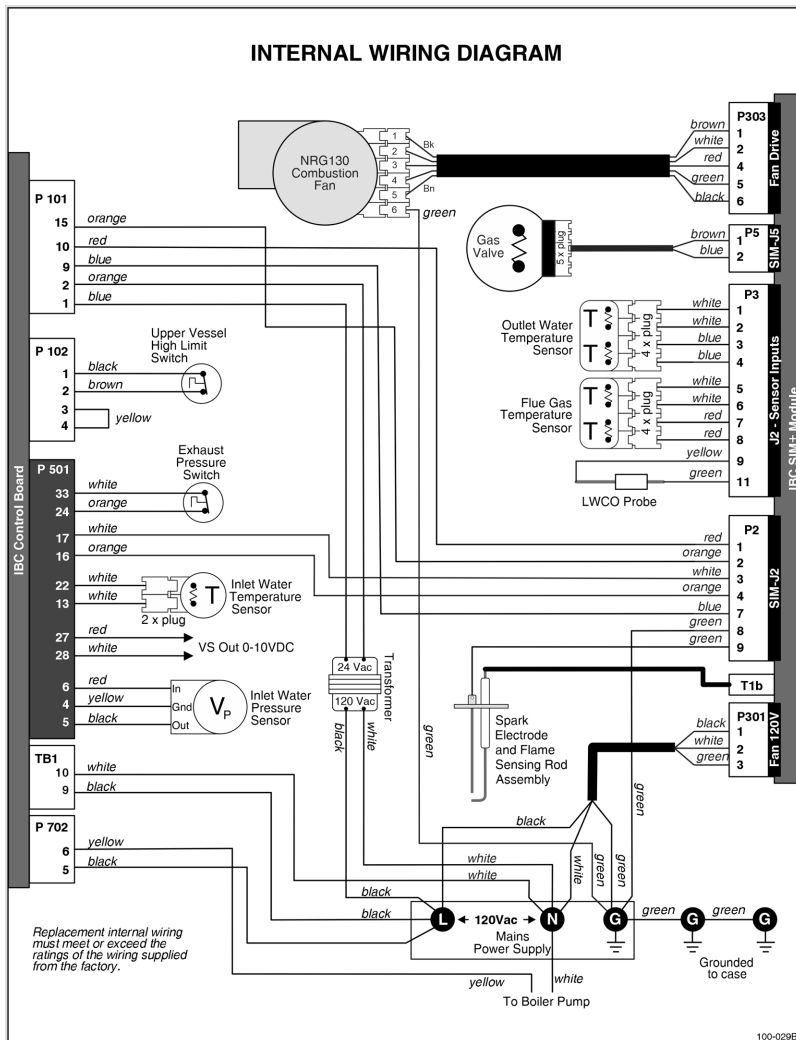


Figure 49 Internal wiring diagram

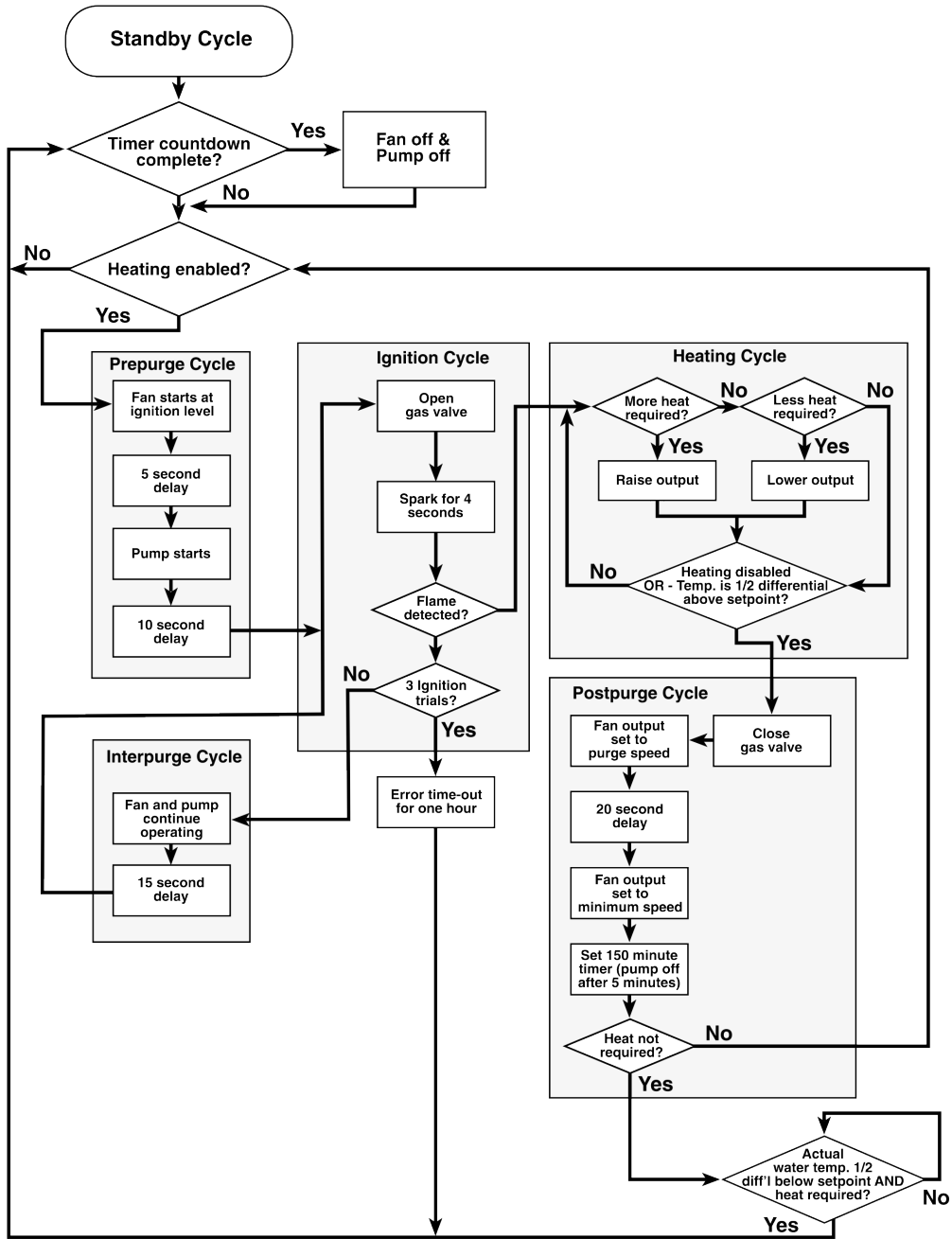
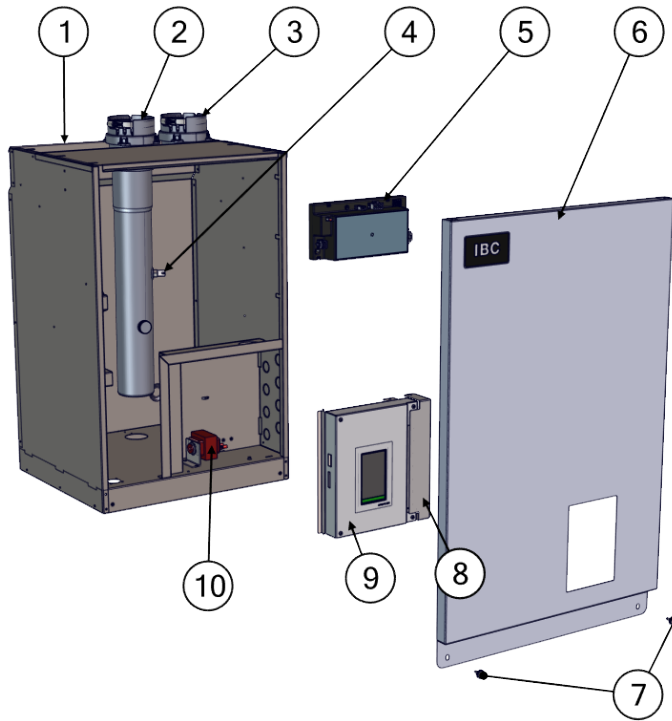
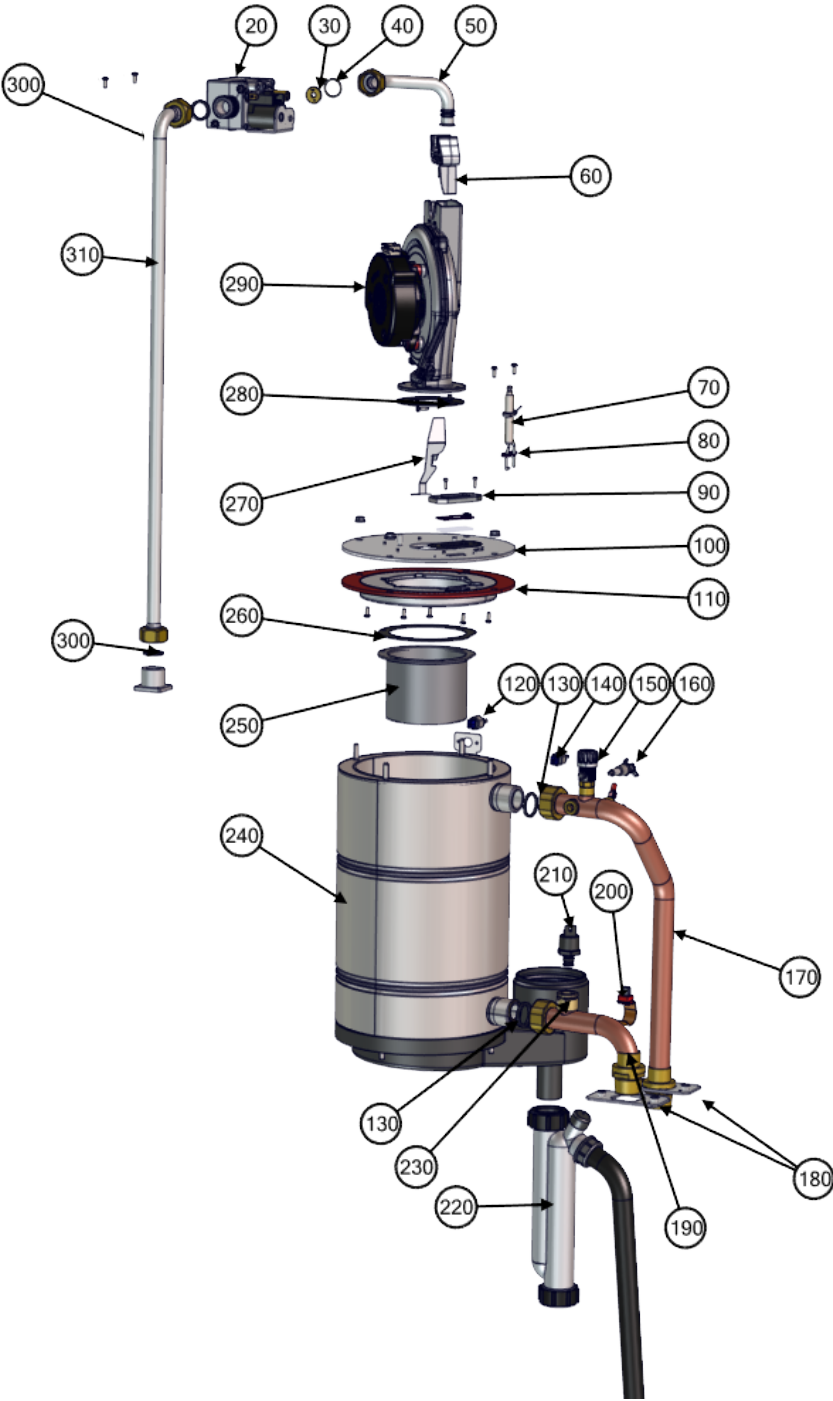


Figure 50 Sequence of Operation

## Boiler part diagrams - VX 110, VX 150, VX 199



Item ID	Description	Part #	P-kit #	Qty
1	Top access cover - VX 110	251-168	<a href="#">P-1506</a>	1
	Top access cover - VX 150	251-184	<a href="#">P-1531</a>	1
	Top access cover - VX 199	251-194	<a href="#">P-1532</a>	1
2	Exhaust duct	251-142	<a href="#">P-1507</a>	1
3	Intake duct	250-942	<a href="#">P-391</a>	1
4	High limit temperature sensor	240-132	<a href="#">P-361</a>	1
5	Safety Ignition Module plus (SIM+)	500-078	<a href="#">P-271B</a>	1
6	Front door cover - VX 110	500-180	<a href="#">P-1508</a>	1
	Front door cover - VX 150	500-181	<a href="#">P-1533</a>	1
	Front door cover - VX 199	500-182	<a href="#">P-1534</a>	1
7	Thumb screw	250-275		2
8	Terminal block cover	251-163	<a href="#">P-1509</a>	1
9	V-10 touchscreen controller	500-103	<a href="#">P-242</a>	1
10	Transformer	240-008	<a href="#">P-9059</a>	1



Item ID	Description	Part #	P-kit replacement #	Quantity
20	Gas valve	180-165	<i>P-326B</i>	1
30	Orifice NG 505	180-095	<i>P-1501</i>	1
	Orifice LP 410	180-194	<i>P-1500</i>	1
	Orifice NG 620	180-195	<i>P-1503</i>	1
	Orifice LP 520	180-300	<i>P-1502</i>	1
	Orifice NG 705	180-301	<i>P-1505</i>	1
	Orifice LP 580	180-096	<i>P-1504</i>	1
40	O-ring, gas valve outlet	150-175	<i>P-1522*</i>	1
50	Gas valve outlet pipe	251-134	<i>P-1510</i>	1
60	Venturi insert - VX 110 (NRG 130) 50 mm	240-144	<i>P-821</i>	1
	Venturi insert - VX 150 (NRG 130) 43.5 mm	240-124	<i>P-338</i>	1
	Venturi insert - VX 199 (NRG 130) 37.5 mm	240-142	<i>P-336</i>	1
70	Ignitor and 2 screws	240-182	<i>P-1511</i>	1
80	Ignitor gasket (pack of 5)	250-050	<i>P-117</i>	1
90	Sight glass and 2 screws	250-057	<i>P-107A</i>	1
100	Heat exchanger lid	170-120	<i>P-1512</i>	1
	Heat exchanger lid	170-122	<i>P-1524</i>	1
	Heat exchanger lid	170-124	<i>P-1528</i>	1
110	Refractory and gasket - VX 110	255-151	<i>P-1513</i>	1
	Refractory and gasket - VX 150	255-152	<i>P-1525</i>	1
	Refractory and gasket - VX 199	255-153	<i>P-1529</i>	1
120	Rollout switch	240-030	<i>P-9070</i>	1
130	Gasket, supply/ return pipe union	251-122	<i>P-1522*</i>	2
140	Supply temperature sensor	240-133	<i>P-362</i>	1
150	Low water cutoff (behind supply pipe)	240-010	<i>P-9061</i>	1
160	Manual air vent	180-258	<i>P-1219</i>	1
170	Supply water pipe	251-117	<i>P-1514</i>	1
180	Supply / return water pipe bracket	251-161	<i>P-1515</i>	2
190	Return water pipe	251-120	<i>P-1516</i>	1
200	Return water temperature sensor	240-154	<i>P-1011</i>	1
210	Water pressure sensor clip	251-132	**	1



Item ID	Description	Part #	P-kit replacement #	Quantity
220	Condensate trap	180-013	<a href="#">P-115</a>	1
230	Water pressure sensor	240-180	<a href="#">P-1517</a>	1
240	Heat exchanger - VX 110	170-119	<a href="#">P-1518</a>	1
	Heat exchanger - VX 150	170-121	<a href="#">P-1523</a>	1
	Heat exchanger - VX 199	170-123	<a href="#">P-1527</a>	1
250	Burner 110	180-297	<a href="#">P-1519</a>	1
	Burner 150	180-298	<a href="#">P-1526</a>	1
	Burner 199	180-299	<a href="#">P-1530</a>	1
260	Burner gasket VX 110	255-034	*	1
	Burner gasket VX 150 & VX 199	255-141	*	1
270	Fan insert	251-143	<a href="#">P-1520</a>	1
280	Fan gasket	250-627	<a href="#">P-1520*</a>	1
290	Fan	240-114	<a href="#">P-1520</a>	1
300	Inlet gas line union gasket	150-271	<a href="#">P-1522*</a>	2
310	Gas line	190-212	<a href="#">P-1521</a>	1

\* Gasket pack ([P-1522](#))

\*\* Sold only with the [P-1517](#) (not separately)

## Installation & Commissioning Report

Model Number \_\_\_\_\_ Serial Number \_\_\_\_\_

Date of Installation \_\_\_\_\_ Address of installation \_\_\_\_\_

User contact information \_\_\_\_\_

Installer Information (Company & Address) \_\_\_\_\_

Phone/Fax/E-mail \_\_\_\_\_

Fuel:  Natural Gas  Propane

Gas Supply Pressure (high fire) \_\_\_\_\_ Inches w.c. Measured Rate of Input (high fire) \_\_\_\_\_ Btu/hr

Leak testing completed  Gas piping  Venting system  Fan  combustion components

System Cleaned and Flushed (type of cleaner used) \_\_\_\_\_

System Filled (type/concentration of any glycol/chemicals used) \_\_\_\_\_

Air purge completed

Relief Valve correctly installed and piped Relief valve "try lever" test performed

Condensate trap filled Condensate drain clear and free flowing Condensate Neutralization.

Ignition Safety Shutoff test completed. Flame current reading - High fire \_\_\_\_\_  $\mu\text{A}$  - Low fire \_\_\_\_\_  $\mu\text{A}$

Owner advised and instructed in the safe operation and maintenance of the boiler and system.

Information regarding the appliance and installation received and left with owner

Combustion Readings:  $\text{CO}_2$  \_\_\_\_\_ %  $\text{O}_2$  \_\_\_\_\_ %  $\text{CO}$  \_\_\_\_\_ ppm

Flue temperature \_\_\_\_\_ Return water temperature (measure simultaneously with flue temp.) \_\_\_\_\_

Commissioning has been completed as listed on this report - Installer's Signature \_\_\_\_\_

Installers: send this completed sheet - Fax to 604 877 0295 - or - scan and Email to [info@ibcboiler.com](mailto:info@ibcboiler.com).

The following message is relevant to users in the USA:



### **Important**

This Boiler is equipped with a feature that saves energy by reducing the boiler water temperature as the heating load decreases. This feature is equipped with an override which is provided primarily to permit the use of an external energy management system that serves the same function. **THIS OVERRIDE MUST NOT BE USED UNLESS AT LEAST ONE OF THE FOLLOWING CONDITIONS IS TRUE:** An external energy management system is installed that reduces the boiler water temperature as the heating load decreases. This boiler is not used for any space heating. This boiler is part of a modular or multiple boiler system having a total input of 300,000 BTU/hr or greater. This boiler is equipped with a tankless coil (not applicable to these boilers). US installers should contact IBC for any further information required.

**CAN IBC Technologies Inc.**

**A** 8015 North Fraser Way

Burnaby, BC Canada V5J 5M8

**T** 604-877-0277

**F** 604-877-0295

Toll Free: 1-844-HEAT-IBC/ 1-844-432-8422

**[www.ibcboiler.com](http://www.ibcboiler.com)**

**USA IBC Technologies USA Inc**

**A** 1702 Taylor's Lane

Cinnaminson NJ 08077 USA

**T** 856-877-0544

**F** 856-735-5584

Information in this document is subject to change without notice. IBC assumes no responsibility for changes made to the manual due to clerical errors, to regulation changes, or to product development.

September, 2021 | 120-347E1

©IBC Technologies Inc. 2021