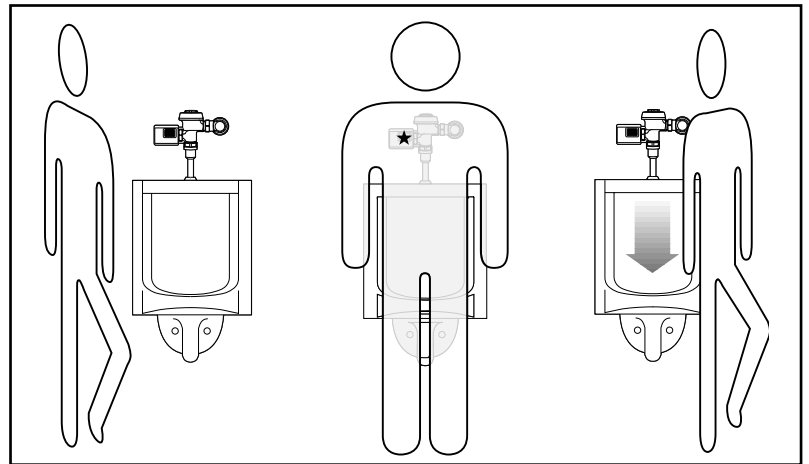
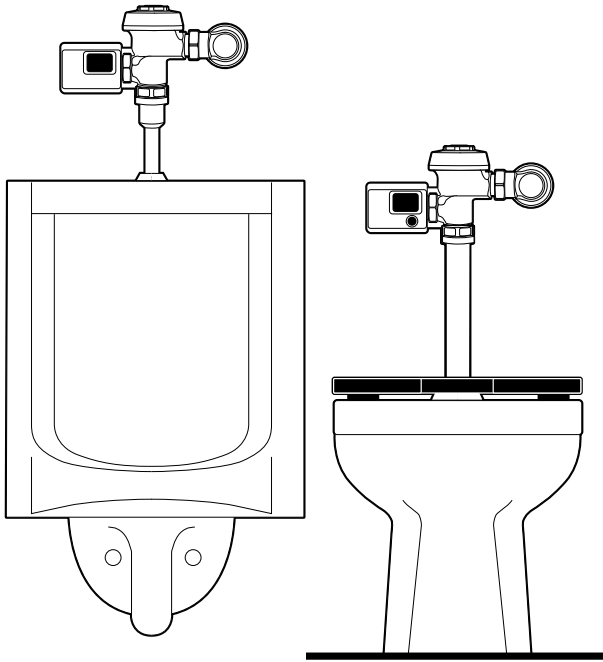


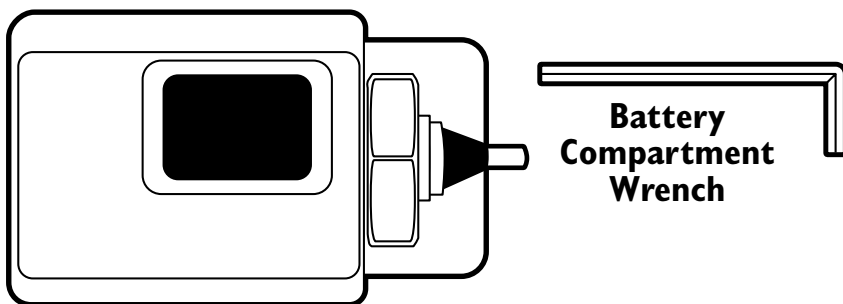
SideArm

Instructions Manual

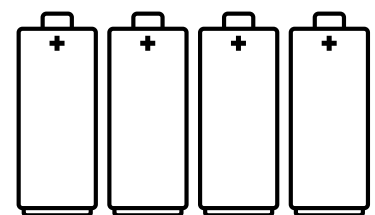
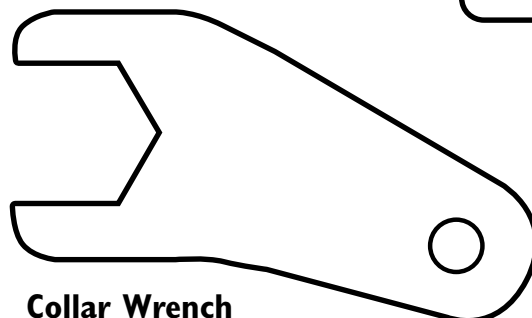
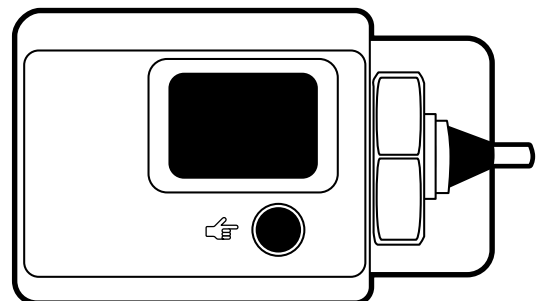


The SideArm sends out a continuous infrared beam that is reflected back by the presence in front of the urinal or water closet.

SideArm for Urinal



SideArm for Water Closet



4 "C" Alkaline Batteries

INSTALLATION

1) As a precaution, it is recommended to turn the water off at the control stop.

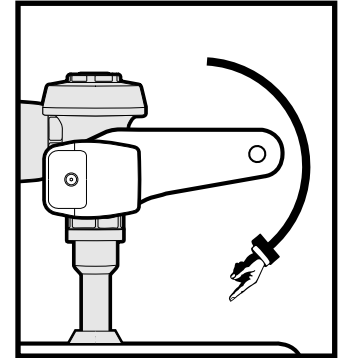
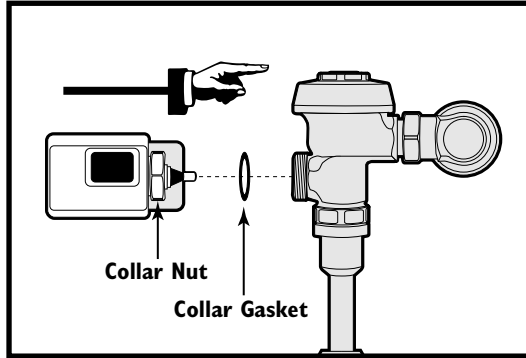
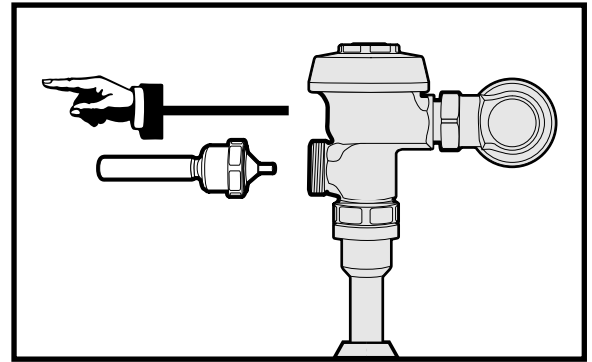
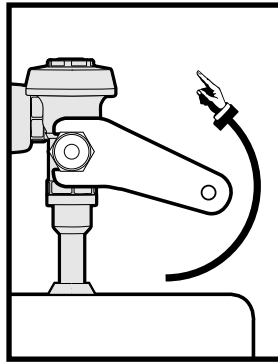
2) Remove Handle: With flat-jawed wrench or collar wrench provided, unscrew the handle nut and completely remove handle assembly.

Note: Be careful water that may be in handle assembly.

3) Slide SideArm operating through grey collar and gasket and into handle pad opening.

4) Tighten SideArm handle nut until it is snug.

Note: It is recommended that the handle not be discarded, but saved if reuse is wished.



2 ACTIVATION

1. With an allen-key (one supplied in box), remove the battery compartment.

2. Load batteries into the battery compartment tray (note the proper alignment of batteries in tray) and slide back into place.

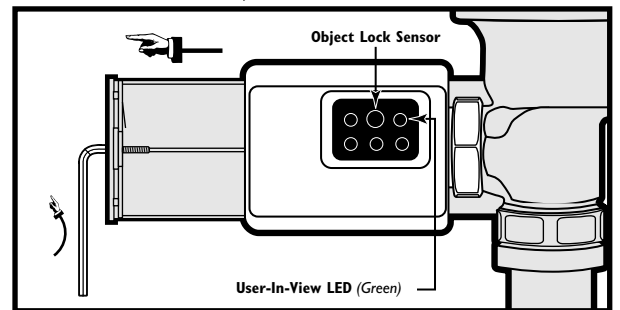


3. Using the allen-key, close and secure the battery compartment. The last 3 turns of the locking screw will activate the SideArm's electronics, so that it is ready to go.

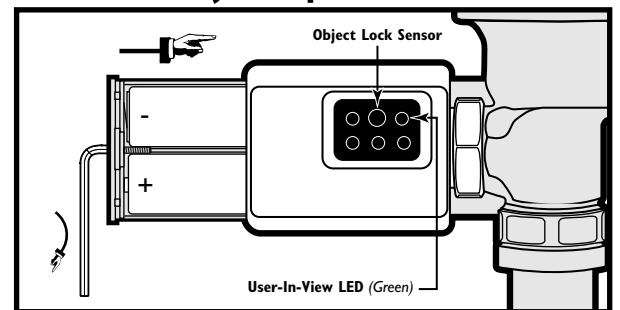
Note: The range on the sensor is factory pre-set. For special circumstances, it can be adjusted. To do so please see the instructions below.

The SideArm has a 7 minute start-up sequence, during which the "Object Lock Sensor" will continuously flash, while an object is in front the sensor. It will be a green L.E.D., that is referred to as the "User-Detection" light. After the start-up sequence is finished and during the use, there is a 5 second delay before the User-Detection light flashes. It will flash 3 times only. The 5 second delay is designed to prevent false flushes.

Remove Battery Compartment



Install Battery Compartment



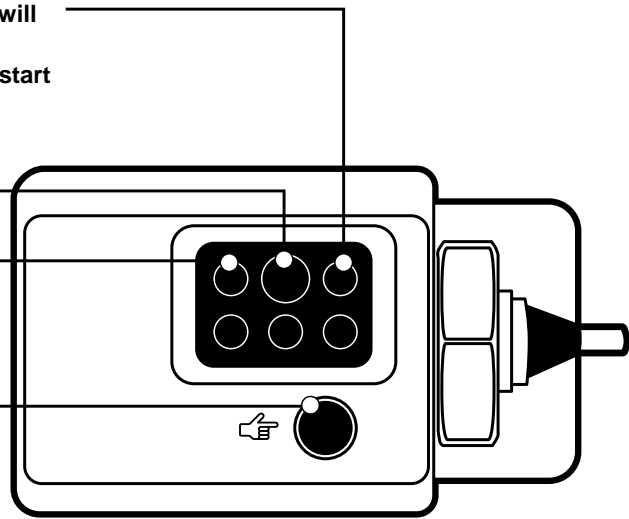
VISUAL INDICATOR GUIDE

User-Detection L.E.D.: This green flashing light will flash 3 times when an object comes in front during operation. (It flashes continuously during the 7 minute start sequence).

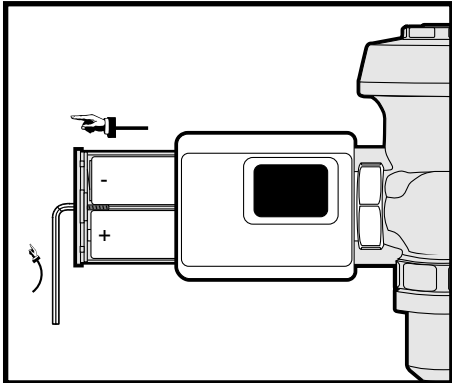
Object Lock Sensor

Low Battery Indicator L.E.D.: This is a yellow light that flashes to indicate that the 4 "C" batteries are low and need to be replaced.

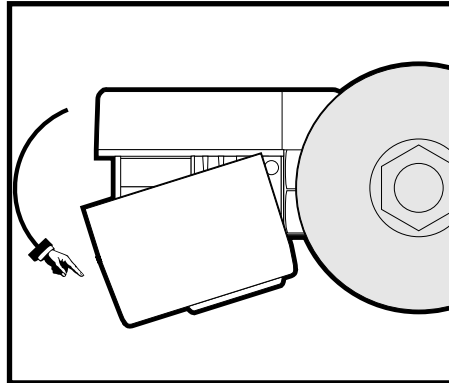
COURTESY MANUAL FLUSH BUTTON
(Allows manual activation of flush when needed—Toilet model only).



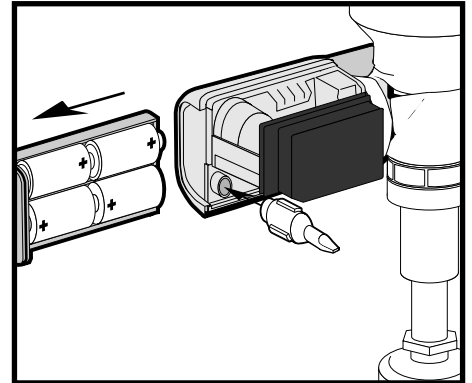
ADJUSTING THE SENSOR RANGE:



Use battery compartment wrench to remove battery compartment tray.



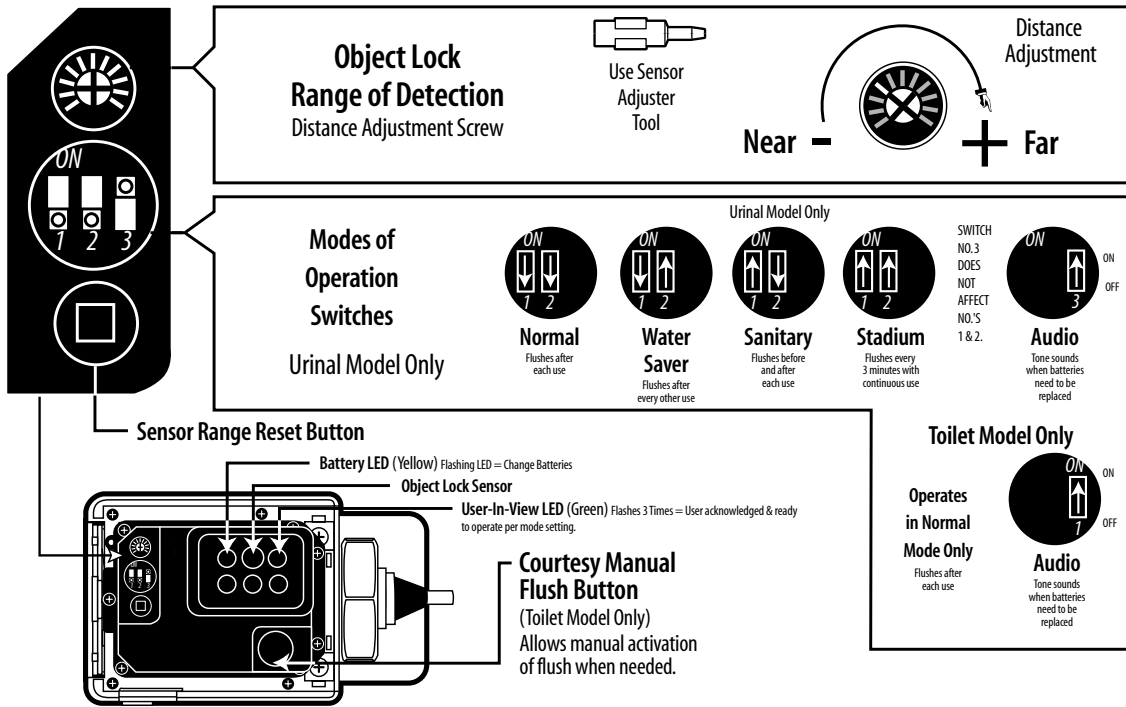
Pull cover off by rotating battery side forward and out.



Sensor Adjustor Tool comes in a built in storage pocket. Replace after use.

TO CHANGE ACTIVATION DISTANCE FOR THE OBJECT LOCK SENSOR:

- 1 Remove battery compartment tray as shown at left.
- 2 Remove cover and sensor adjustor tool as shown at left.
- 3 Replace battery compartment .
- 4 Press sensor range reset button shown on next page (the green L.E.D. will flash continuously when it has an object in view for the seven minute reset period).
- 5 Stand at desired activation distance.
- 6 Use sensor adjustor tool and turn Distance Adjustment Screw all the way down and then turn slowly up until green L.E.D. begins to flash.
- 7 Ensure Object Lock Sensor is not detecting stall door or wall by closing door, stepping out of sensor path and making sure green L.E.D. is not flashing. If sensor locks onto door or wall, unit will not flush properly. Shorten activation distance.
- 8 Remove battery compartment, replace sensor adjustor tool and cover. Replace battery compartment tray to reactivate AutoFlush unit.
- 9 After 7 minute start-up sequence, the green L.E.D. will flash only 3 times when a user is in view (after a 5 second delay).



TROUBLE SHOOTING GUIDE

PROBLEM	CAUSE	SOLUTION TO PROBLEM
Green L.E.D. (light) flashes 3 times when there are no users	Front of Object Lock Sensor is covered or Object Lock Sensor is set too far out, registering the opposite wall or door as a user	Remove item covering sensor or adjust Object Lock Sensor activation distance. (See Appendix B. Adjusting the AutoFlush)
Green L.E.D. (light) flashes continuously when Object Lock Sensor is activated by a user	Unit is in 7 minute start up mode (when first activated) or Sensor Range Reset Button has been depressed	Green L.E.D. (light) will flash only 3 times acknowledging a user is in view after the 7 minute start up mode
Orange L.E.D. (light) flashes	Batteries need replacing	Replace batteries
Not enough water to fixture or too much water to fixture	Diaphragm damaged or valve control stop improperly adjusted	Replace diaphragm and/or adjust valve control stop
Valve will not operate	Object Lock Sensor range set to close to AutoFlush, batteries are dead, or water supply is turned off	Adjust Object Lock Sensor—Replace batteries—Turn water on.
Valve does not shut off	Dirt or debris preventing diaphragm from functioning properly	Remove dirt or debris, consult valve manufacturer's directions
Valve does not flush even after Object Lock Sensor has been adjusted	Dead batteries	Replace batteries.

Delany Products

www.delanyproducts.com

(434) 296-0166 1565 Avon Street, Charlottesville, VA 22902