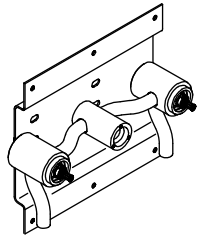


Installation Guide

Two-Handle Ceramic Valve

P29304



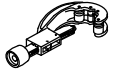
KALLISTA.

1085224-2-A

Thank You for Choosing Kallista

We appreciate your commitment to KALLISTA quality products. Please take a moment to review this manual before you install your KALLISTA product. If you encounter any installation or performance problems, please do not hesitate to contact us at the phone number listed on the back cover.

Tools and Materials



Tube Cutter



Tape Measure



Solder



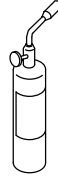
Pencil



Level



#10 x 1"
Wood Screws



Propane
Torch

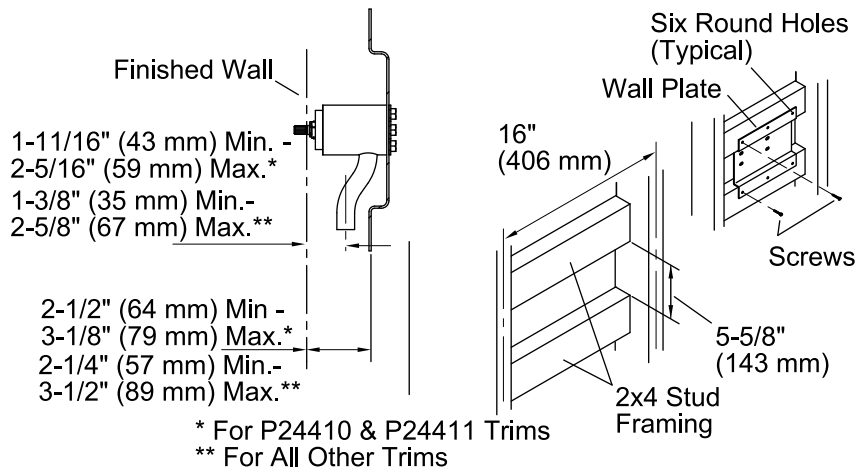
Before You Begin



CAUTION: Risk of property damage. Do not use plumbers putty on marble or plastic, as it may stain the surface.

NOTE: Follow the installation dimensions precisely as there is no deep rough-in kit available for this product.

- Observe all local plumbing and building codes.
- Shut off the main water supply.
- Give special consideration to the exact location desired for the lavatory faucet. This product is designed to give you the opportunity to be creative and flexible with the installation.
- Site preparation and wall finishing may require additional tools and materials.
- Kallista reserves the right to make revisions in the design of faucets without notice, as specified in the Price Book.



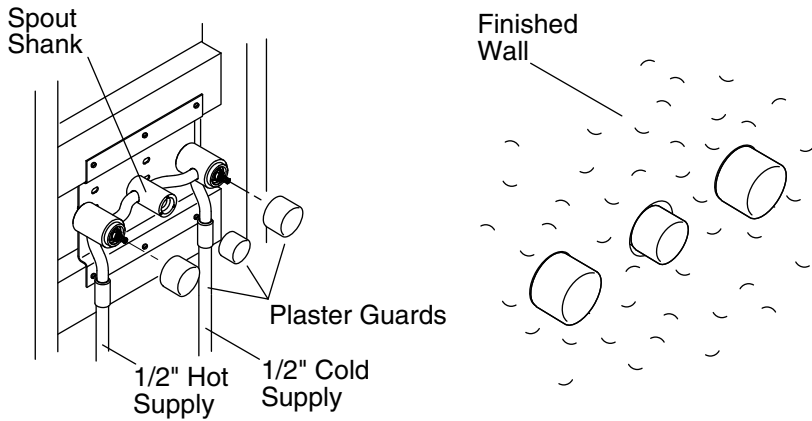
1. Prepare the Site

NOTE: The wall plate requires special framing and support considerations. Pay special attention to minimum and maximum faucet height recommendations noted in the roughing-in sheet.

- Refer to the roughing-in dimensions for additional mounting information.
- A suggested framing example is shown. Each installation may have different framing requirements than those shown.
- Construct the framing for your installation.

Attach the Wall Plate

- Loosely attach the wall plate to the stud framing with six #10 x 1" panhead wood screws (not provided).
- Verify that the installation is correct and level and firmly secure the wall plate to the studs.



2. Install the Supplies

- Install 1/2 " hot and cold supply piping to the mixer valve.
- Temporarily pull the plaster guards from the handle and spout shanks. **Do not** discard them at this time.
- Position a bucket in front of the spout shank, and turn on the water supplies to the mixer valve.
- Slowly open the mixer valve stems, and allow the hot and cold water to flow from the spout shank for about a minute.
- Close the valve, and carefully inspect all connections for leakage. Repair if necessary.
- Turn off the water supplies. Open the valve stems to relieve the water pressure.
- Reattach the plaster guards to the handle and spout shanks.

3. Complete the Finished Wall

NOTE: To ensure proper fit and appearance, do not oversize the spout and handle shank holes.

- Complete the finished wall with three 1-1/2 " (38 mm) diameter holes for the spout and handle shanks. Space the hole centers 4" (102 mm) apart.
- Remove and discard the plaster guards when the finished wall is complete.

1085224-2-A

1085224-2-A

1085224-2-A

USA/Canada: 1-888-4-KALLISTA

Fax: 1-888-272-3094

kallista.com

KALLISTA

©2012 KALLISTA

1085224-2-A